



US00D716396S

(12) **United States Design Patent**
Rothmann

(10) **Patent No.:** **US D716,396 S**

(45) **Date of Patent:** **** Oct. 28, 2014**

(54) **PISTOL**

(71) Applicant: **Martin Konrad Rothmann,**
Ebsdorfergrund (DE)

(72) Inventor: **Martin Konrad Rothmann,**
Ebsdorfergrund (DE)

(**) Term: **14 Years**

(21) Appl. No.: **29/461,816**

(22) Filed: **Jul. 28, 2013**

(51) **LOC (10) Cl.** **22-01**

(52) **U.S. Cl.**
USPC **D22/104**

(58) **Field of Classification Search**
CPC F41C 3/00; F41C 3/005; F41C 3/02;
F41C 3/04; F41C 3/06; F41C 3/14; F41C
3/16; F41C 9/02; F41C 9/04; F41C 9/06;
F41C 9/08

USPC D22/104, 108; 89/40.06, 41.19, 37.04,
89/33.04, 191.01, 200-204; D21/145,
D21/146, 147, 567, 572, 573-575; 42/40,
42/41, 42.01, 42.02, 42.03, 43, 44, 45, 57,
42/69.01, 71.02, 72, 100; 124/31, 37;
362/110, 113

See application file for complete search history.

(56) **References Cited**

U.S. PATENT DOCUMENTS

1,563,675	A *	12/1925	Tansley	89/128
1,896,820	A *	2/1933	Jolidon	89/148
3,138,991	A *	6/1964	Malter	89/143
3,159,080	A *	12/1964	Freed	89/148

3,682,040	A *	8/1972	Roy	89/132
4,321,764	A *	3/1982	Wilhelm	42/69.03
4,358,987	A *	11/1982	Wilhelm	89/196
4,580,484	A *	4/1986	Moore	89/128
4,800,665	A *	1/1989	Schumaker	42/71.02
6,345,463	B1 *	2/2002	Baer, Sr.	42/97
6,477,802	B2 *	11/2002	Baer, Sr.	42/97
6,604,445	B2 *	8/2003	Sevastian	89/14.3
7,047,686	B2 *	5/2006	Zimmermann	42/75.1
7,698,845	B2 *	4/2010	Hochstrate et al.	42/69.03
7,703,232	B1 *	4/2010	Johns	42/108
8,418,391	B2 *	4/2013	Kemmerer et al.	42/70.05
8,584,390	B1 *	11/2013	Fraher et al.	42/71.02
2012/0124881	A1 *	5/2012	Castaneda	42/90
2013/0019510	A1 *	1/2013	Kemmerer et al.	42/1.01
2013/0125441	A1 *	5/2013	Westwood et al.	42/70.05
2013/0333262	A1 *	12/2013	McClave	42/70.05

* cited by examiner

Primary Examiner — Michael A Pratt

(74) *Attorney, Agent, or Firm* — Smartpat PLC; Axel Nix

(57) **CLAIM**

I claim the ornamental design for a pistol, as shown and described.

DESCRIPTION

FIG. 1 is a left side view of a pistol showing my new design;
FIG. 2 is a top view thereof;
FIG. 3 is a bottom view thereof;
FIG. 4 is a front view thereof;
FIG. 5 is a rear view thereof;
FIG. 6 is a right side view thereof;
FIG. 7 is a top, front, left side perspective view thereof; and,
FIG. 8 is a top, rear, right side perspective view thereof.

1 Claim, 2 Drawing Sheets



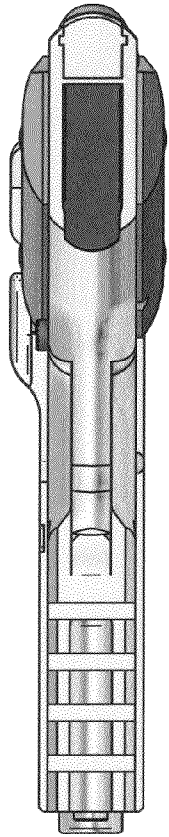


Fig 3

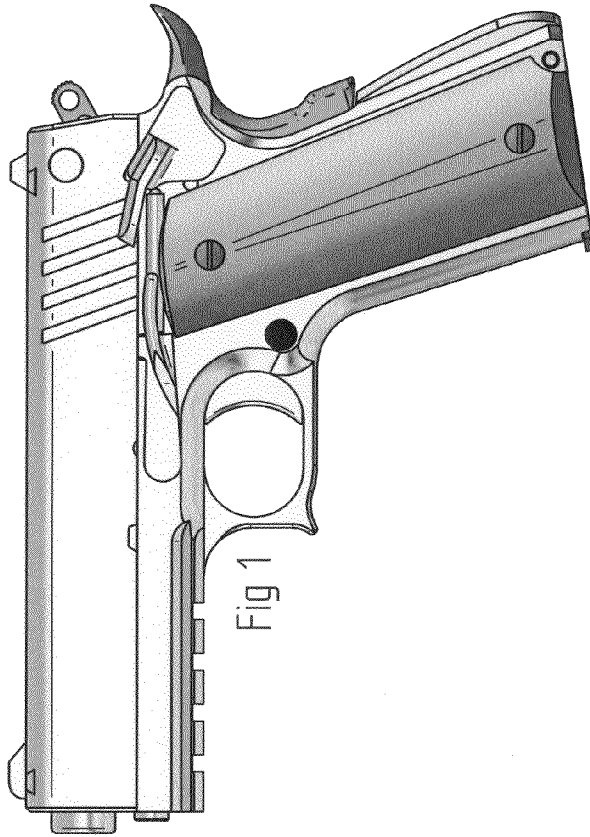


Fig 1

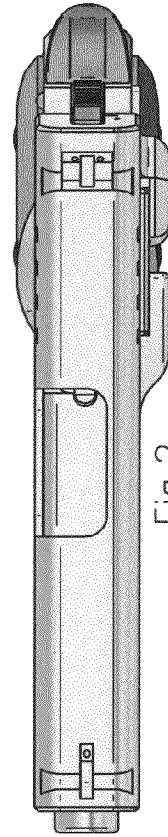


Fig 2

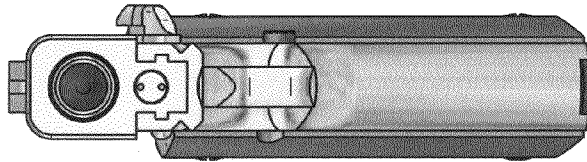


Fig 4

