



US00D360271S

# United States Patent [19]

[11] Patent Number: **Des. 360,271**

Butler

[45] Date of Patent: **\*\* Jul. 11, 1995**

[54] FLORESCENT LIGHTING FIXTURE

[75] Inventor: **Doyle S. Butler**, Americus, Ga.

[73] Assignee: **Cooper Industries, Inc.**, Houston, Tex.

[\*\*] Term: **14 Years**

[21] Appl. No.: **20,265**

[22] Filed: **Mar. 23, 1994**

[52] U.S. Cl. .... **D26/76**

[58] Field of Search ..... **D26/72, 75-92;**  
362/147, 404, 220-225

### [56] References Cited

#### U.S. PATENT DOCUMENTS

2,963,251 12/1960 Fuss ..... 362/404 X  
3,760,178 9/1973 Miller ..... 362/223

### OTHER PUBLICATIONS

All-Bright Luminaires Catalog, ©1950, p. 1, Schoolite Unit, Series 46 Fluorescent Lighting Fixture.

All-Bright Luminaires Catalog, ©1950, p. 20, Slimline Louvered Fluorescent Lighting Fixture.

Daybrite Lighting Catalog #112, ©1941, p. 24, Recessed Fluorescent Lighting Fixture Louvers.

*Primary Examiner*—Susan J. Lucas

*Attorney, Agent, or Firm*—William B. Patterson; Eddie E. Scott

### CLAIM

[57] The ornamental design for a florescent lighting fixture, as shown and described.

### DESCRIPTION

FIG. 1 is a bottom, front perspective view of a fluorescent lighting fixture showing my new design;

FIG. 2 is a front elevational view;

FIG. 3 is a top plan view;

FIG. 4 is a bottom view;

FIG. 5 is a left end view, the right end being identical; and,

FIG. 6 is a cross-sectional view thereof.

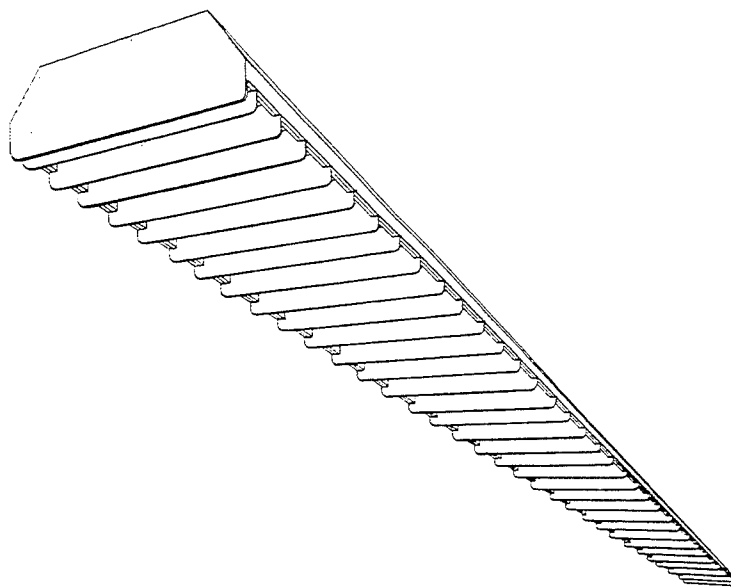


FIG. 6

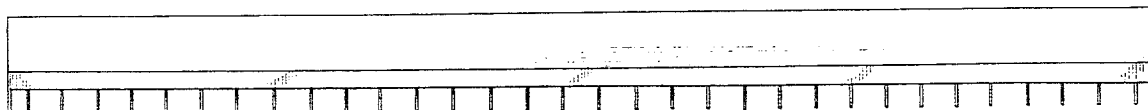


FIG. 6

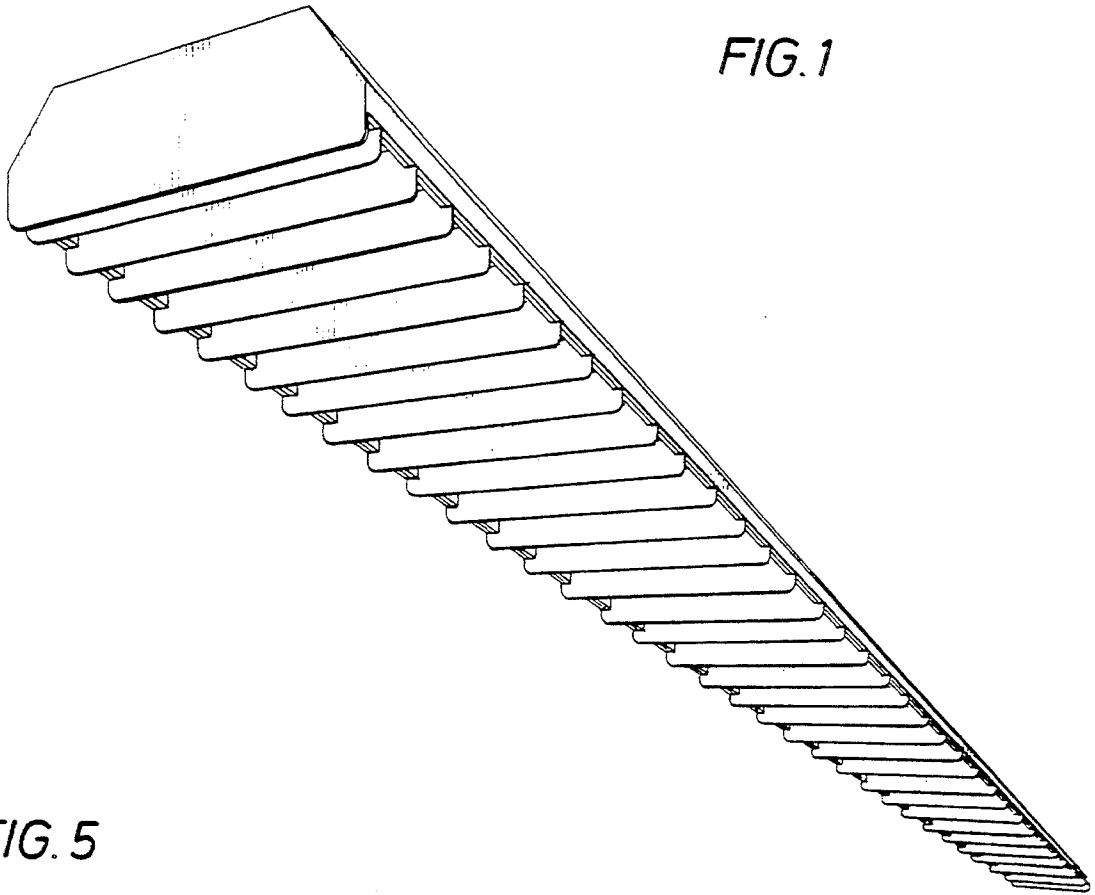


FIG. 1

FIG. 5

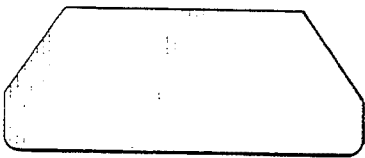


FIG. 6

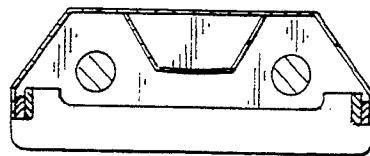


FIG. 3

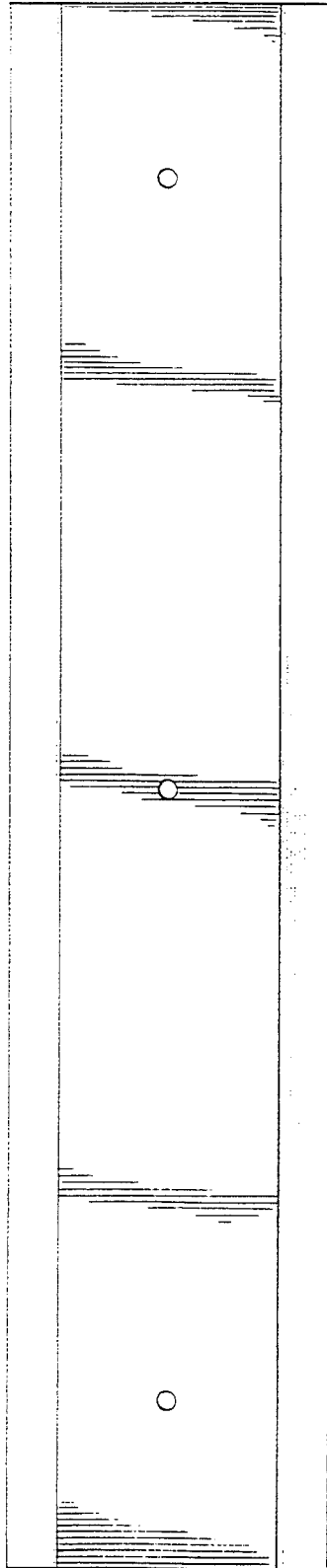
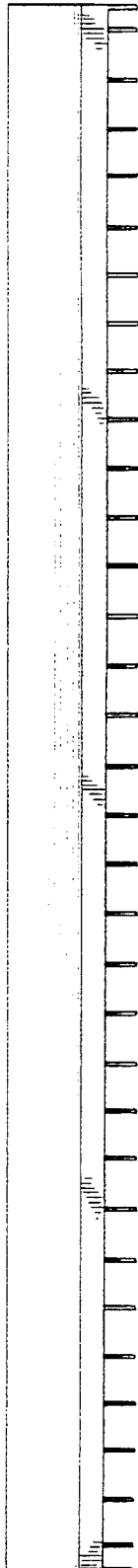


FIG. 2

1-6



1-6

FIG. 4

