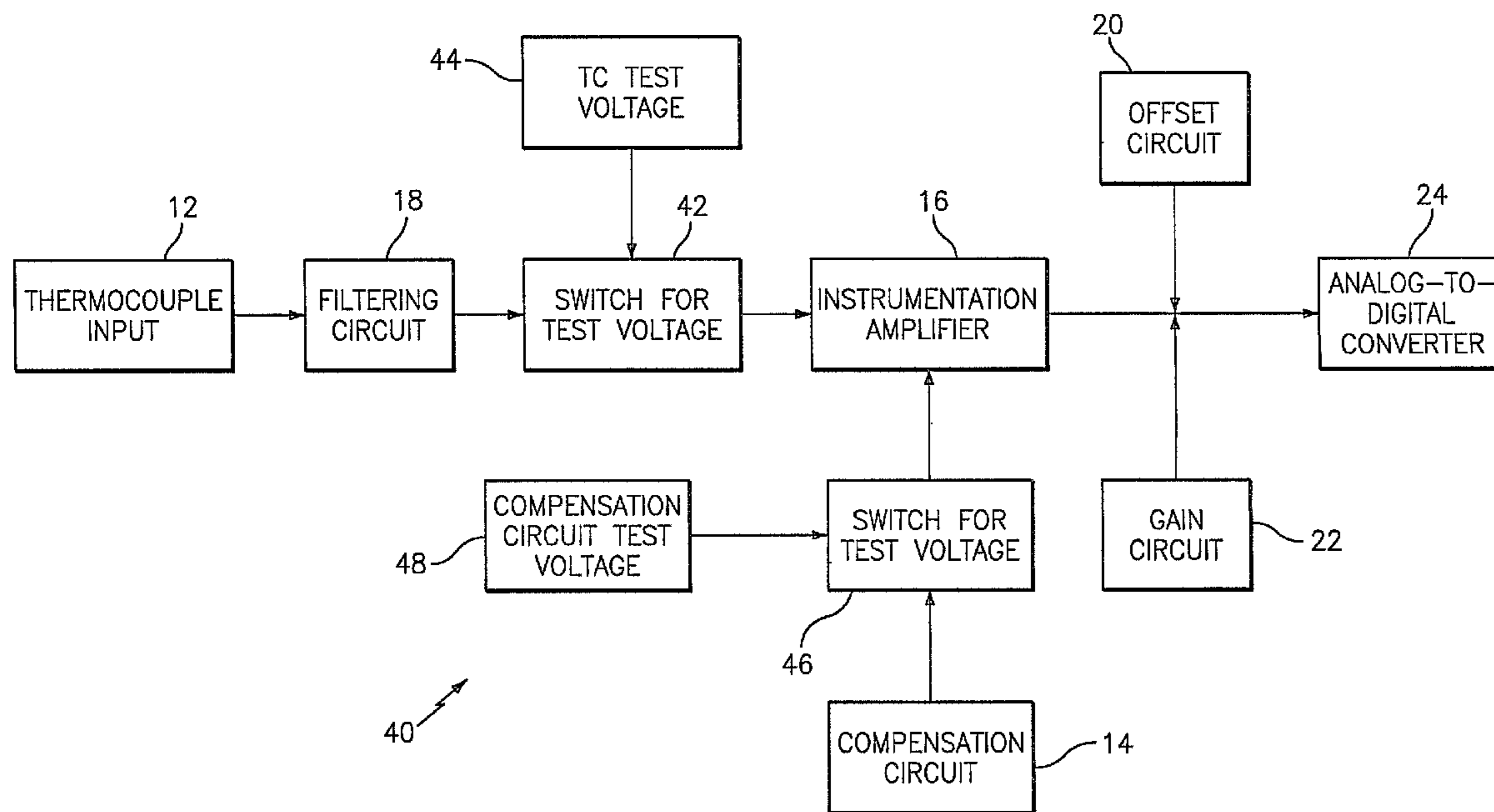




(86) **Date de dépôt PCT/PCT Filing Date:** 2003/10/23
 (87) **Date publication PCT/PCT Publication Date:** 2005/06/02
 (45) **Date de délivrance/Issue Date:** 2015/06/23
 (85) **Entrée phase nationale/National Entry:** 2006/04/18
 (86) **N° demande PCT/PCT Application No.:** US 2003/033711
 (87) **N° publication PCT/PCT Publication No.:** 2005/050151

(51) **Cl.Int./Int.Cl. G01K 7/13** (2006.01)
 (72) **Inventeur/Inventor:**
 BLAHA, DEREK M., US
 (73) **Propriétaire/Owner:**
 SHERWOOD SERVICES AG, CH
 (74) **Agent:** OSLER, HOSKIN & HARCOURT LLP

(54) **Titre : CIRCUIT DE MESURE DE THERMOCOUPLE**
 (54) **Title: THERMOCOUPLE MEASUREMENT CIRCUIT**



(57) **Abrégé/Abstract:**

A thermocouple measuring circuit for sensing a temperature at a measuring point is provided. The thermocouple measurement circuit (12) includes a thermocouple input for sensing a temperature at a measuring point, a compensation circuit (14) for compensating thermocouple effects of junctions of the thermocouple, and an instrumentation amplifier (16) for summing an output of the thermocouple and an output of the compensation circuit and outputting a voltage indicative of the temperature sensed, wherein the output of the compensation circuit is a reference voltage for the output of the instrumentation amplifier. Various embodiments of the thermocouple measurement circuit may be employed in electrosurgical generators for controlling output power dependent on temperature conditions.

(12) INTERNATIONAL APPLICATION PUBLISHED UNDER THE PATENT COOPERATION TREATY (PCT)

(19) World Intellectual Property
Organization
International Bureau



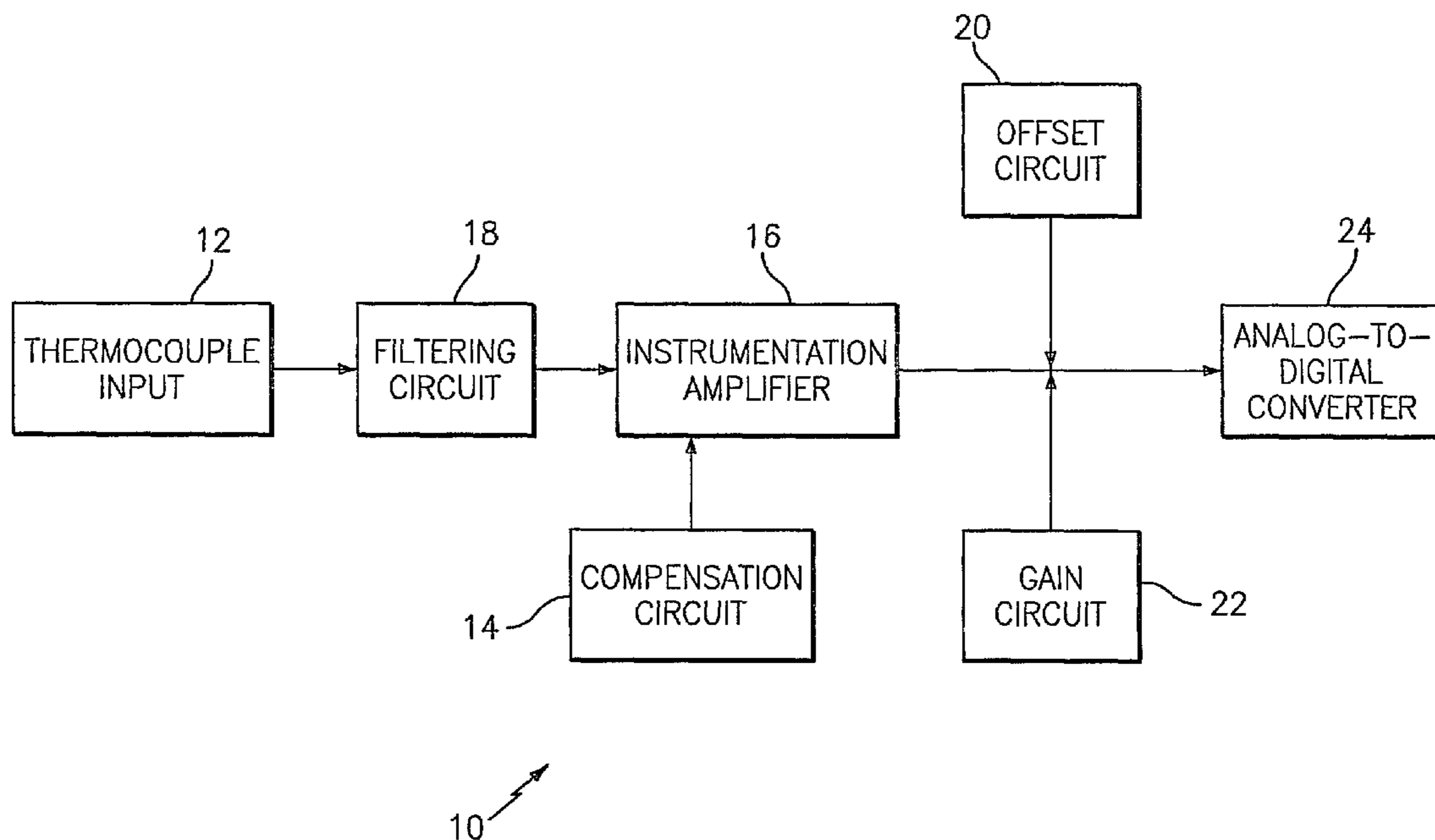
(43) International Publication Date
2 June 2005 (02.06.2005)

PCT

(10) International Publication Number
WO 2005/050151 A1

- (51) International Patent Classification⁷: **G01K 7/13**
- (21) International Application Number:
PCT/US2003/033711
- (22) International Filing Date: 23 October 2003 (23.10.2003)
- (25) Filing Language: English
- (26) Publication Language: English
- (71) Applicant (for all designated States except US): **SHERWOOD SERVICES AG** [CH/CH]; Bahnhofstr. 29, CH-8200 Schaffhausen (CH).
- (72) Inventor; and
- (75) Inventor/Applicant (for US only): **BLAHA, Derek, M.** [US/US]; 1800 Fountain Court, Longmont, CO 80503 (US).
- (74) Agents: **DENNINGER, Douglas, E.** et al.; Tyco Healthcare Group LP, 150 Glover Avenue, Norwalk, CT 06850 (US).
- (81) Designated States (*national*): AE, AG, AL, AM, AT, AU, AZ, BA, BB, BG, BR, BY, BZ, CA, CH, CN, CO, CR, CU, CZ, DE, DK, DM, DZ, EC, EE, ES, FI, GB, GD, GE, GH, GM, HR, HU, ID, IL, IN, IS, JP, KE, KG, KP, KR, KZ, LC, LK, LR, LS, LT, LU, LV, MA, MD, MG, MK, MN, MW, MX, MZ, NO, NZ, OM, PH, PL, PT, RO, RU, SC, SD, SE, SG, SK, SL, TJ, TM, TN, TR, TT, TZ, UA, UG, US, UZ, VC, VN, YU, ZA, ZM, ZW.
- (84) Designated States (*regional*): ARIPO patent (GH, GM, KE, LS, MW, MZ, SD, SL, SZ, TZ, UG, ZM, ZW), Eurasian patent (AM, AZ, BY, KG, KZ, MD, RU, TJ, TM), European patent (AT, BE, BG, CH, CY, CZ, DE, DK, EE, ES, FI, FR, GB, GR, HU, IE, IT, LU, MC, NL, PT, RO, SE, SI, SK, TR), OAPI patent (BF, BJ, CF, CG, CI, CM, GA, GN, GQ, GW, ML, MR, NE, SN, TD, TG).
- Published:**
— with international search report
- For two-letter codes and other abbreviations, refer to the "Guidance Notes on Codes and Abbreviations" appearing at the beginning of each regular issue of the PCT Gazette.

(54) Title: THERMOCOUPLE MEASUREMENT CIRCUIT



(57) **Abstract:** A thermocouple measuring circuit for sensing a temperature at a measuring point is provided. The thermocouple measurement circuit (12) includes a thermocouple input for sensing a temperature at a measuring point, a compensation circuit (14) for compensating thermocouple effects of junctions of the thermocouple, and an instrumentation amplifier (16) for summing an output of the thermocouple and an output of the compensation circuit and outputting a voltage indicative of the temperature sensed, wherein the output of the compensation circuit is a reference voltage for the output of the instrumentation amplifier. Various embodiments of the thermocouple measurement circuit may be employed in electrosurgical generators for controlling output power dependent on temperature conditions.

THERMOCOUPLE MEASUREMENT CIRCUIT

BACKGROUND

1. Technical Field

The present invention is directed to a temperature measurement circuit, and, in particular, to a thermocouple measurement circuit employed in a control circuit for an electrosurgical generator.

2. Description of the Related Art

Electrosurgical generators are employed by surgeons in conjunction with an electrosurgical tool to cut, coagulate, desiccate and/or seal patient tissue. High frequency electrical energy, e.g., radio frequency (RF) energy, is produced by the electrosurgical generator and applied to the tissue by the electrosurgical tool. Both monopolar and bipolar configurations are commonly used during electrosurgical procedures.

Electrosurgical generators typically include power supply circuits, front panel interface circuits, and RF output stage circuits. Many electrical designs for electrosurgical generators are known in the field. In certain electrosurgical generator designs, the RF output stage can be adjusted to control the RMS (root mean square) output power. The methods of controlling the RF output stage may include changing the duty cycle, or changing the amplitude of the driving signal to the RF output stage.

The method of controlling the RF output stage is described herein as changing an input to the RF output stage.

Electrosurgical techniques have been used to seal or fuse small diameter blood vessels, vascular bundles and tissue. In this application, two layers of tissue are grasped and clamped together while electrosurgical power is applied. By applying a unique combination of pressure, gap distance between opposing seal surfaces and controlling the electrosurgical energy, the two tissue layers are welded or fused together into a single mass with limited demarcation between tissue layers. Tissue fusion is similar to vessel sealing, except that a vessel or duct is not necessarily sealed in this process. For example, tissue fusion may be used instead of staples for surgical anastomosis. Electrosurgical power has a desiccating effect on tissue during tissue fusion or vessel sealing.

One of the issues associated with electrosurgical sealing or fusion of tissue is undesirable collateral damage to tissue due to the various thermal effects associated with electrosurgically energizing tissue. The tissue at the operative site is heated by electrosurgical current typically applied by the electrosurgical instrument. Healthy tissue adjacent to the operative site may become thermally damaged if too much heat is allowed to build up at the operative site or adjacent the sealing surfaces. For example, during sealing, the heat may conduct or spread to the adjacent tissue and cause a significant region of tissue necrosis. This is known as thermal spread. Thermal spread becomes important when electrosurgical instruments are used in close proximity to delicate anatomical structures. Therefore, an electrosurgical

generator that reduced the possibility of thermal spread would offer a better opportunity for a successful surgical outcome.

Another issue associated with electrosurgical tissue sealing or tissue fusion is the buildup of eschar on the surgical instrument. Eschar is a deposit which is created from tissue that is charred by heat. Surgical tools often lose effectiveness when coated with eschar.

Conventional electrosurgical systems have employed temperature sensors in the surgical tool to monitor conditions at the operative site and/or the temperature of the tissue being manipulated. An exemplary temperature sensor used in such systems is a thermocouple due to its small size and low cost. However, thermocouples alone are not accurate and required compensation circuitry to achieve a desired level of accuracy.

Therefore, it would be desirable to have a temperature measurement circuit for an electrosurgical system for accurately determining a temperature of an operative site and/or tissue of a patient. Furthermore, it would be desirable to have a temperature measurement circuit for controlling an electrosurgical generator for producing a clinically effective output and, in addition, reducing the amount of heat and thermal spread at the operative site.

SUMMARY

A thermocouple measurement circuit for sensing a temperature at a measuring point is provided. The thermocouple measurement circuit according to

embodiments of the present invention employs an instrumentation amplifier for accurately summing a thermocouple voltage with a cold junction compensation offset to produce a voltage proportional to the temperature sensed. Advantageously, the use of an instrumentation amplifier allows common mode and differential filtering to be easily added for various noise conditions.

According to an aspect of the present invention, a thermocouple measurement circuit is provided including a thermocouple input for sensing a temperature at a measuring point, a filtering circuit coupled to the thermocouple input configured to eliminate noise from the thermocouple input, a compensation circuit for compensating thermocouple effects of junctions of the thermocouple, and an instrumentation amplifier for summing an output of the thermocouple and an output of the compensation circuit and outputting a voltage indicative of the temperature sensed, wherein the output of the compensation circuit is a reference voltage for the output of the instrumentation amplifier.

In another aspect of the present invention, an electrosurgical generator is provided including a radio frequency (RF) output circuit for outputting RF energy; a control circuit for controlling the output of the RF output circuit; and a thermocouple measurement circuit for determining a temperature at a measuring point, the thermocouple measuring circuit including a thermocouple input for sensing a temperature at the measuring point, a filtering circuit coupled to the thermocouple input configured to eliminate noise from the thermocouple input, a compensation circuit for compensating thermocouple effects of junctions of the thermocouple, and an instrumentation amplifier for summing an output of the thermocouple and an output of the compensation circuit and outputting a voltage indicative of the temperature sensed to the control circuit.

In a further aspect of the present invention, an electrosurgical system is provided including an electrosurgical generator for outputting radio frequency (RF) energy; an electrosurgical instrument coupled to the electrosurgical generator for applying the RF energy to an operative site; and a thermocouple measurement circuit for determining a
5 temperature at the operative site, the thermocouple measuring circuit comprising a thermocouple input for sensing the temperature at a measuring point of the electrosurgical instrument, a filtering circuit coupled to the thermocouple input configured to eliminate noise from the thermocouple input, a compensation circuit for compensating thermocouple effects of junctions of the thermocouple, and an instrumentation amplifier for summing an output of
10 the thermocouple and an output of the compensation circuit and outputting a voltage indicative of the temperature sensed to the electrosurgical generator, wherein the electrosurgical generator controls the output energy based on the sensed temperature.

BRIEF DESCRIPTION OF THE DRAWINGS

15 The above and other aspects, features, and advantages of the present invention will become more apparent in light of the following detailed description when taken in conjunction with the accompanying drawings in which:

FIG. 1 is a block diagram of a thermocouple measurement circuit in accordance with
20 the present invention;

FIG. 2 is a schematic diagram of a thermocouple measurement circuit according to an embodiment of the present invention;

25

FIG. 3 is a block diagram of a thermocouple measurement circuit including self-test circuitry according to another embodiment of the present invention; and

FIG. 4 is an exemplary electrosurgical system employing a thermocouple measurement circuit in accordance with the present invention.

DETAILED DESCRIPTION

Embodiments of the present invention will be described herein below with reference to the accompanying drawings. In the following description, well-known functions or constructions are not described in detail to avoid obscuring the invention in unnecessary detail.

Referring to FIG. 1, a thermocouple measurement circuit 10 is provided. The thermocouple measurement circuit 10 generally includes a thermocouple input 12 for sensing a temperature of a measuring point, a compensation circuit 14 for compensating thermocouple effects of junctions of the thermocouple 12 and an instrumentation amplifier 16 for summing an output of the thermocouple and an output of the compensation circuit and outputting a voltage indicative of the temperature sensed. The thermocouple measurement circuit 10 may also include a filtering circuit 18 for eliminating noise from the thermocouple input 12 and an offset 20 and gain 22 circuit for scaling an output of the thermocouple measurement circuit 10. Optionally, the thermocouple measurement circuit 10 may include analog-to-digital converter 24 for converting the analog output voltage to a digital signal.

FIG. 2 is a detailed schematic diagram of a thermocouple measurement circuit 25 according to an embodiment of the present invention. Thermocouple input 12 includes two leads 26, 28 which intersect at a junction forming a measuring point 30. The leads 26, 28 are coupled to input terminals -IN, +IN of instrumentation amplifier 16. The instrumentation amplifier includes a reference terminal REF for providing a reference voltage for an output voltage of the instrumentation amplifier 16. An exemplary instrumentation amplifier is Model LT1167 commercially available from Linear Technology Corporation of Milpitas, California. The instrumentation amplifier 16 allows for precision amplification of the differential voltage from the thermocouple input while rejecting large values of common mode noise.

A power supply circuit 31 is employed to provide a high voltage output, e.g., +15VDC, and a low voltage output, e.g., -15VDC, for energizing any component requiring power in the thermocouple measurement circuit 10.

Compensation circuit 14 provides the reference voltage to the instrumentation amplifier 16. The compensation circuit 14 includes a cold junction compensator 32 for compensating voltages produced at junctions of the thermocouple to the circuit 10. An exemplary cold junction compensator is Model LT1025 commercially available from Linear Technology Corporation of Milpitas, California. Since the reference terminal REF of the instrumentation amplifier 16 requires a high impedance input, an output of the cold junction compensator 32 is coupled to an operational amplifier 34 which in turn is coupled to the reference terminal REF of the instrumentation amplifier 16. An exemplary operational amplifier is Model LTC1151 also available from Linear Technology Corporation of Milpitas, California. Using the

reference terminal REF of the instrumentation amplifier 16 to sum the compensation circuit 14 and thermocouple 12 voltages provides a much more accurate and reliable summing junction. The voltage output OUT from the instrumentation amplifier 16 is proportional to the temperature sensed at the measuring point 30.

It is to be appreciated any standard type of thermocouple, e.g., T, J, K, E, S and R, may be employed by the thermocouple measurement circuit of the present invention by matching the type of thermocouple to the cold junction compensator. For example, since a T type thermocouple is utilized in FIG. 2, the output of the cold junction compensator 32 is taken from the terminal labeled K/T (terminal 7). If a J type thermocouple were to be used, the output from terminal J, e.g., terminal 8, of the cold junction compensator 32 would be coupled to the amplifier 34.

Preferably, the thermocouple input 12 is filtered via filtering circuit 18 to eliminate noise from being introduced to the instrumentation amplifier 16. The filtering circuit 18 includes capacitors C3, C6 and C7 and resistors R5 and R11-R13. Capacitors C3, C6, and C7 are designed as filtering elements to reduce noise. Lead 24 of the thermocouple input 12 is connected to the instrumentation amplifier 16 via resistor R12. Capacitor C3 and resistor R5 are coupled in parallel at one end to a junction J1 of the resistor R12 and the input terminal -IN of the instrumentation amplifier 16 and at the other end to ground. Lead 28 of the thermocouple input 12 is connected to the instrumentation amplifier 16 via resistor R13. Capacitor C7 and resistor R11 are coupled in parallel at one end to a junction J2 of the resistor R13 and the input terminal +IN of the instrumentation amplifier 16 and at the other end to ground. Capacitor C6 is coupled between junction J1 and junction J2. It is to be

understood that common mode chokes and/or RF chokes may be employed for filtering the thermocouple input 12.

The output voltage OUT of the instrumentation amplifier 16 may be conditioned by an offset circuit 20 and a gain circuit 22 for scaling the thermocouple measurement circuit 10 due the non-linearity of the thermocouple or for a desired voltage-to-temperature ratio. The offset circuit 20 includes resistor R2 coupled in between the output voltage OUT and junction J3. Capacitor C1 is coupled at one end to junction J3 and at the other to ground. A resistor network including resistors R2, R3, R4, R8 and R9 are coupled to junction J3. It is to be understood resistors R3 and R8 are utilized depending on the voltage offset being employed, e.g., if a positive offset is required, resistor R3 is employed, and, if a negative offset is required, resistor R8 is employed.

The gain circuit 22 includes amplifier 36, capacitor C4 and resistors R6, R7. The gain circuit 22 receives as an input a voltage from junction J3 of the offset circuit 20. This voltage is input to the non-inverting input of the amplifier 36. The gain of the amplifier 36 is set by combination of capacitor C4 and resistors R6, R7 coupled to the inverting input of the amplifier 36. The amplifier 36 outputs an analog voltage proportional to the temperature sensed at the measuring point 28 to connection point TP1.

Optionally, the output voltage at connection point TP1 will be sent to an analog-to-digital converter for converting the analog voltage to a digital signal. The

digital signal will be less susceptible to noise and can be utilized in a software program, for example, to control a condition at the measuring point.

Furthermore, an additional offset circuit 39 may be coupled to the input of the instrumentation amplifier to determine if a thermocouple is connected. A small offset voltage will pull the input high or low depending on which terminal of the instrumentation amplifier (+IN or -IN) the offset circuit is connected to. For example, as shown in FIG. 2, a resistor network including R10, R14 and R15 coupled to a DC voltage of the low level, e.g. -15VDC, is applied to the input terminal +IN of the instrumentation amplifier 16. Pulling the input high or low will then give a temperature reading of very high or very low (e.g., some value out of range) indicating that a thermocouple is not connected or has opened.

FIG. 3 is a block diagram of a thermocouple measurement circuit including self-test circuitry according to another embodiment of the present invention. The thermocouple measurement circuit 40 operates identically to the thermocouple measurement circuit 10 shown in FIG. 1 but includes additional circuitry for enabling a self-test to be performed. Depending on the type of thermocouple being used, the voltage output of the thermocouple measurement circuit is readily ascertained from the temperature at a measuring point. To test the thermocouple measurement circuit 40, a first switch 42 will remove the thermocouple input 12 and filtering circuit 18 from being input to the instrumentation amplifier 16. The first switch 42 couples a thermocouple (TC) test voltage 44 to input terminals -IN and +IN of the instrumentation amplifier 16. A second switch 46 removes the compensation circuit 14 from the reference terminal REF of the instrumentation amplifier 16 and couple a

compensation circuit test voltage 48 to the reference terminal REF. The output voltage can be verified at the connection point based on the voltage values input to the instrumentation amplifier 16.

When the thermocouple measurement circuit 40 is determined to be working properly, the first and second switches 42, 46 will return to their normal positions and the circuit 40 will operate as described above in relation to FIGS. 1 and 2.

An exemplary electrosurgical system 100 employing a thermocouple measurement circuit in accordance with the present invention is shown in FIG. 4. The system 100 can be used for sealing vessels 102 and other tissues of a patient, including ducts, veins, arteries and vascular tissue. The system 100 includes an electrosurgical generator 104 and a surgical instrument 106. The surgical instrument 106 is illustrated by way of example, and as will become apparent from the discussion below, other instruments can be utilized. The electrosurgical generator 104 includes several interconnected sub-units, including an RF output circuit 108, a power control circuit 110, a variable D.C. power supply 112 and the thermocouple measurement circuit 10. The surgical instrument 106 is electrically connected to the electrosurgical generator 104 via cable 116 for receiving controlled electrosurgical power therefrom. The surgical instrument 106 has some type of end effector member 114, such as a forceps or hemostat, capable of grasping and holding the vessels and tissues of the patient. The member 114, also referred to simply as end effector 114, is assumed, in this embodiment, to be capable of applying and maintaining a relatively constant level of pressure on the vessel 102.

The member 114 is provided in the form of bipolar electrosurgical forceps using two generally opposing electrodes disposed on inner opposing surfaces of the member 114, and which are both electrically coupled to the output of the electrosurgical generator 104. During use, different electric potentials are applied to each electrode. In that tissue is an electrical conductor, when the forceps are utilized to clamp or grasp the vessel 102 therebetween, the electrical energy output from the electrosurgical generator 104 is transferred through the intervening tissue. Both open surgical procedures and endoscopic surgical procedures can be performed with suitably adapted surgical instruments 106. It should also be noted that the member 114 could be monopolar forceps that utilizes one active electrode, with the other (return) electrode or pad being attached externally to the patient, or a combination of bipolar and monopolar forceps.

A measuring point 118 of a thermocouple input is preferably located in member 114 to measure the temperature of the patient tissue or of the operative site. The thermocouple is coupled to the thermocouple measurement circuit 10 via cable 116. An output voltage indicative of the temperature at measuring point 118 is sent to the control circuit 110 for controlling the output power of the electrosurgical generator 104.

It is to be appreciated that output power from the electrosurgical generator can be adjusted in several ways. For example, the amplitude of the output power can be adjusted. In another example, the output power can be adjusted by changing the duty cycle or the crest factor.

In another embodiment, it is contemplated that the control circuit 110 controls a module for producing resistive heat for regulating heat applied to the tissue for achieving a desired tissue effect instead of or in addition to controlling the electrosurgical output circuit 108 and/or the power supply 112. The control circuit 110 responds to sensed tissue temperature indicative of tissue temperature and outputs a command signal for controlling output heat resistivity. Preferably, the module for producing resistive heat includes a current source and/or a variable resistor which are responsive to the command signal for outputting a desired current or providing a desired resistance, respectively.

A thermocouple measurement circuit for sensing a temperature at a measuring point has been described. The thermocouple measurement circuit according to embodiments of the present invention employs an instrumentation amplifier for accurately summing a thermocouple voltage with a cold junction compensation offset to produce a voltage proportional to the temperature sensed. The use of an instrumentation amplifier allows common mode and differential filtering to be easily added for various noise conditions. Various embodiments of the thermocouple measurement circuit may be employed in electrosurgical generators for controlling output power dependent on temperature conditions.

While several embodiments of the disclosure have been shown in the drawings, it is not intended that the disclosure be limited thereto, as it is intended that the disclosures be as broad in scope as the art will allow and that the

specification be read likewise. Therefore, the above description should not be construed as limiting, but merely as exemplifications of preferred embodiments.

WHAT IS CLAIMED IS:

1. A thermocouple measurement circuit comprising:
 - a thermocouple input for sensing a temperature at a measuring point;
 - a filtering circuit coupled to the thermocouple input configured to eliminate noise from the thermocouple input;
 - a compensation circuit for compensating thermocouple effects of junctions of the thermocouple;
 - an instrumentation amplifier for summing an output of the thermocouple and an output of the compensation circuit and outputting a voltage indicative of the temperature sensed;
 - a first switch coupled between the thermocouple input and the instrumentation amplifier for supplying a thermocouple test voltage to the instrumentation amplifier during a self-test mode; and
 - a second switch coupled between the compensation circuit and the instrumentation amplifier for supplying a compensation test voltage to the instrumentation amplifier during the self-test mode,wherein upon a determination that the thermocouple measurement circuit is working properly, the first and second switches will return to a normal condition.
2. The thermocouple measurement circuit of claim 1, wherein the output of the compensation circuit is a reference voltage for the output of the instrumentation amplifier.

3. The thermocouple measurement circuit of claim 1 or 2, wherein the compensation circuit is a cold junction compensator.
4. The thermocouple measurement circuit of claim 3, wherein the compensation circuit further includes an amplifier coupled to the cold junction compensator for outputting a high impedance output from the compensation circuit.
5. The thermocouple measurement circuit of any one of claims 1 to 4, further comprising an analog-to-digital converter for converting the output voltage to a digital signal.
6. The thermocouple measurement circuit of any one of claims 1 to 5, further comprising an offset circuit coupled to the thermocouple input for generating an out of range thermocouple output when the thermocouple input is not connected.
7. An electrosurgical generator comprising:
 - a radio frequency (RF) output circuit for outputting RF energy;
 - a control circuit for controlling the output of the RF output circuit; and
 - a thermocouple measurement circuit for determining a temperature at a measuring point, the thermocouple measuring circuit comprising:
 - a thermocouple input for sensing a temperature at the measuring point;
 - a filtering circuit coupled to the thermocouple input configured to eliminate noise from the thermocouple input;
 - a compensation circuit for compensating thermocouple effects of junctions of the thermocouple;

an instrumentation amplifier for summing an output of the thermocouple and an output of the compensation circuit and outputting a voltage indicative of the temperature sensed to the control circuit;

a first switch coupled between the thermocouple input and the instrumentation amplifier for supplying a thermocouple test voltage to the instrumentation amplifier during a test mode; and

a second switch coupled between the compensation circuit and the instrumentation amplifier for supplying a compensation test voltage to the instrumentation amplifier during the test mode,

wherein upon a determination that the thermocouple measurement circuit is working properly, the first and second switches will return to a normal condition.

8. The electrosurgical generator as in claim 7, wherein the output of the compensation circuit is a reference voltage for the output of the instrumentation amplifier.
9. The electrosurgical generator as in claim 7 or 8, wherein the compensation circuit is a cold junction compensator.
10. The electrosurgical generator as in claim 9, wherein the compensation circuit further includes an amplifier coupled to the cold junction compensator for outputting a high impedance output from the compensation circuit.
11. The electrosurgical generator as in claim 7, 8, 9 or 10, further comprising an analog-to-digital converter for converting the output voltage to a digital signal.

12. The electrosurgical generator as in claim 7, 8, 9, 10 or 11, further comprising an offset circuit coupled to the thermocouple input for generating an out of range thermocouple output when the thermocouple input is not connected.
13. An electrosurgical system comprising:
an electrosurgical generator for outputting radio frequency (RF) energy;
an electrosurgical instrument coupled to the electrosurgical generator for applying the RF energy to an operative site; and
a thermocouple measurement circuit for determining a temperature at the operative site, the thermocouple measuring circuit comprising:
a thermocouple input for sensing the temperature at a measuring point of the electrosurgical tool;
a filtering circuit coupled to the thermocouple input configured to eliminate noise from the thermocouple input;
a compensation circuit for compensating thermocouple effects of junctions of the thermocouple;
an instrumentation amplifier for summing an output of the thermocouple and an output of the compensation circuit and outputting a voltage indicative of the temperature sensed to the electrosurgical generator, wherein the electrosurgical generator controls the output energy based on the sensed temperature;
a first switch coupled between the thermocouple input and the instrumentation amplifier for supplying a thermocouple test voltage to the instrumentation amplifier during a test mode; and

a second switch coupled between the compensation circuit and the instrumentation amplifier for supplying a compensation test voltage to the instrumentation amplifier during the test mode,

wherein upon a determination that the thermocouple measurement circuit is working properly, the first and second switches will return to a normal condition.

14. The electrosurgical system as in claim 13, wherein the electrosurgical instrument comprises at least one end effector member and the thermocouple input is located in the at least one end effector member.

15. The electrosurgical system as in claim 13 or 14, wherein the output of the compensation circuit is a reference voltage for the output of the instrumentation amplifier.

16. The electrosurgical system as in claim 13, 14 or 15, wherein the compensation circuit is a cold junction compensator.

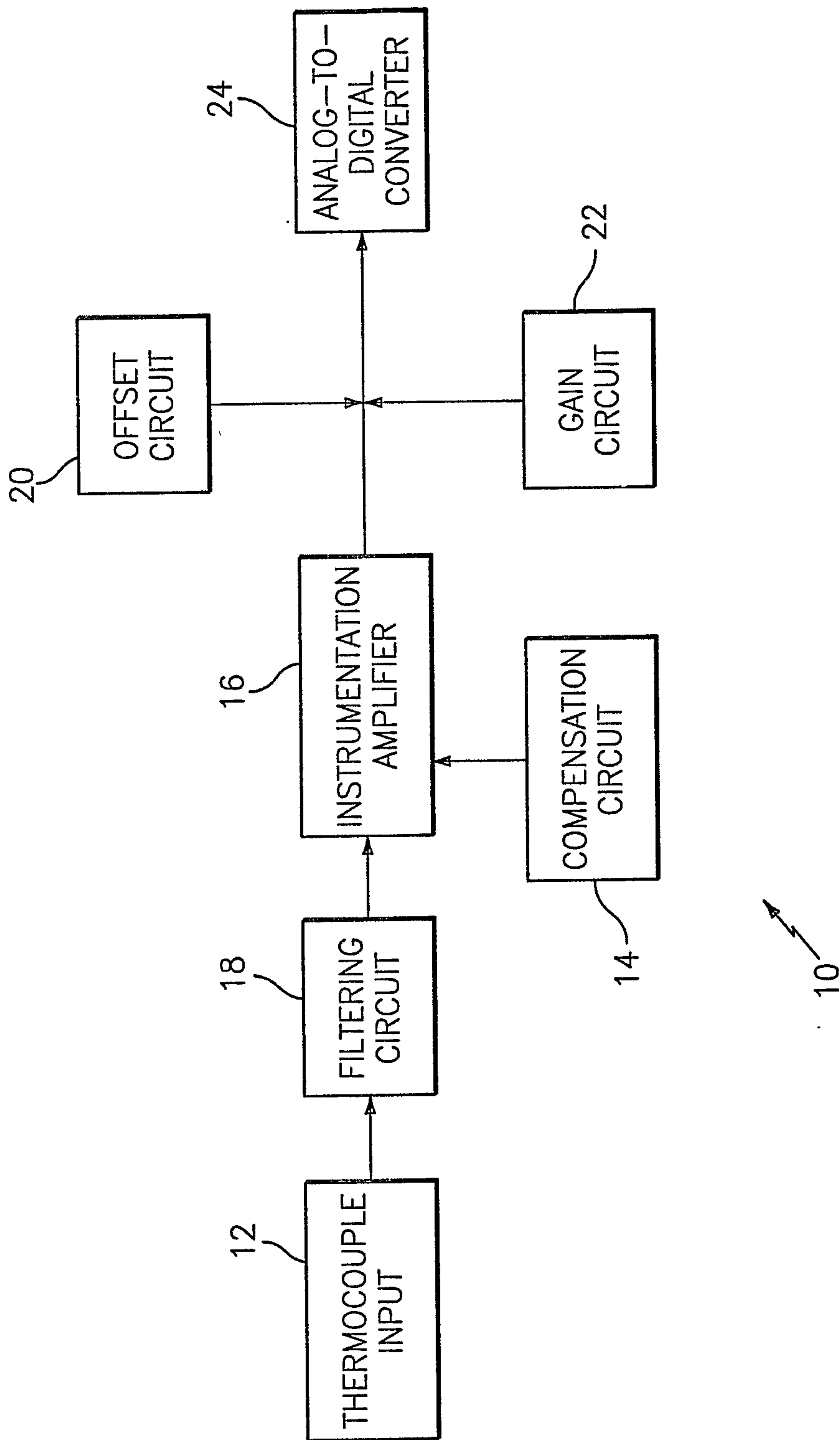


FIG. 1

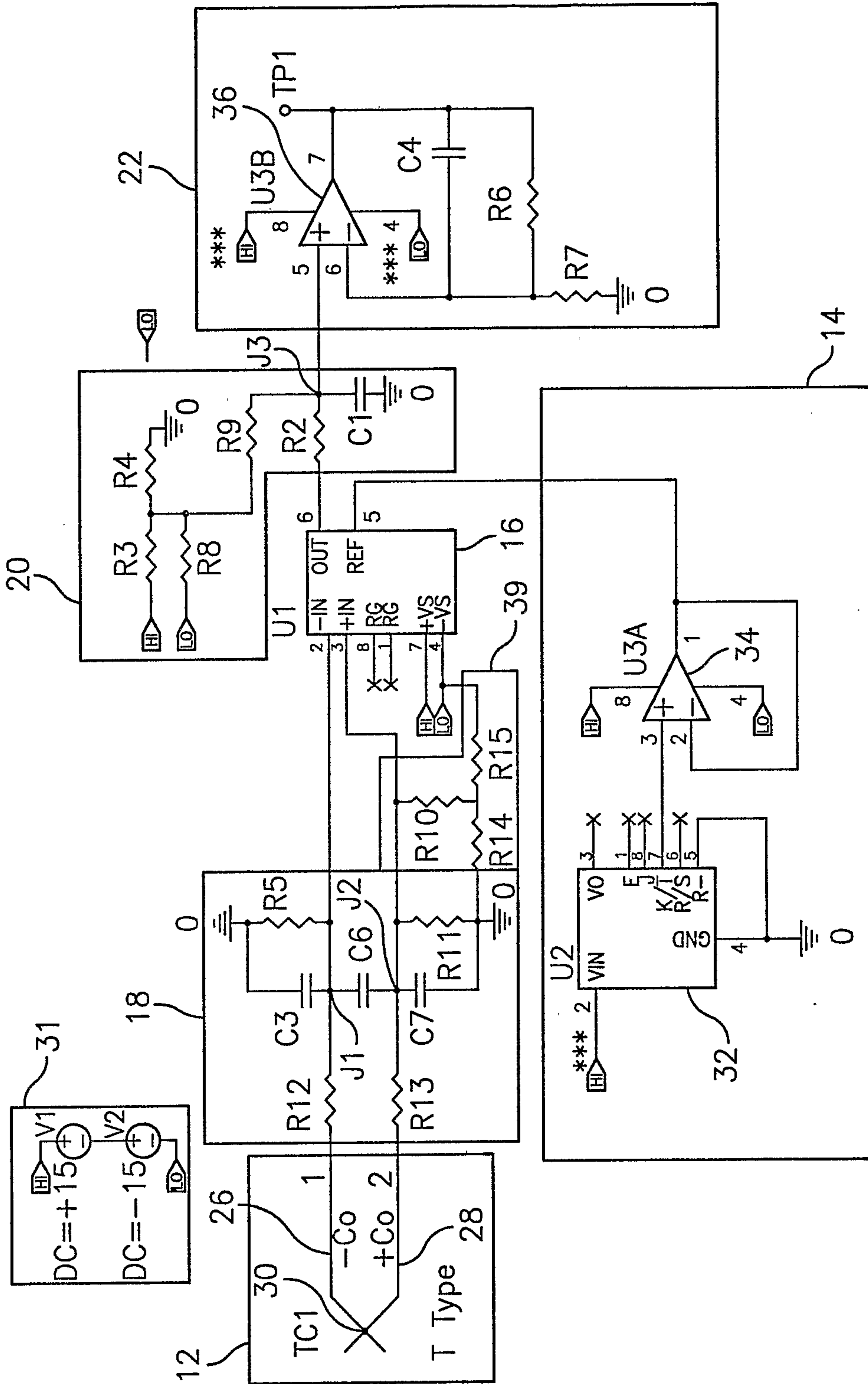
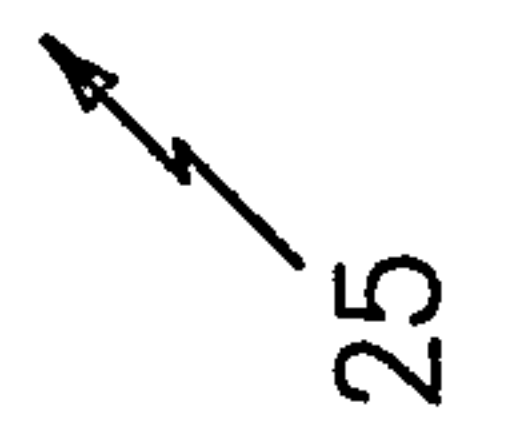


FIG. 2



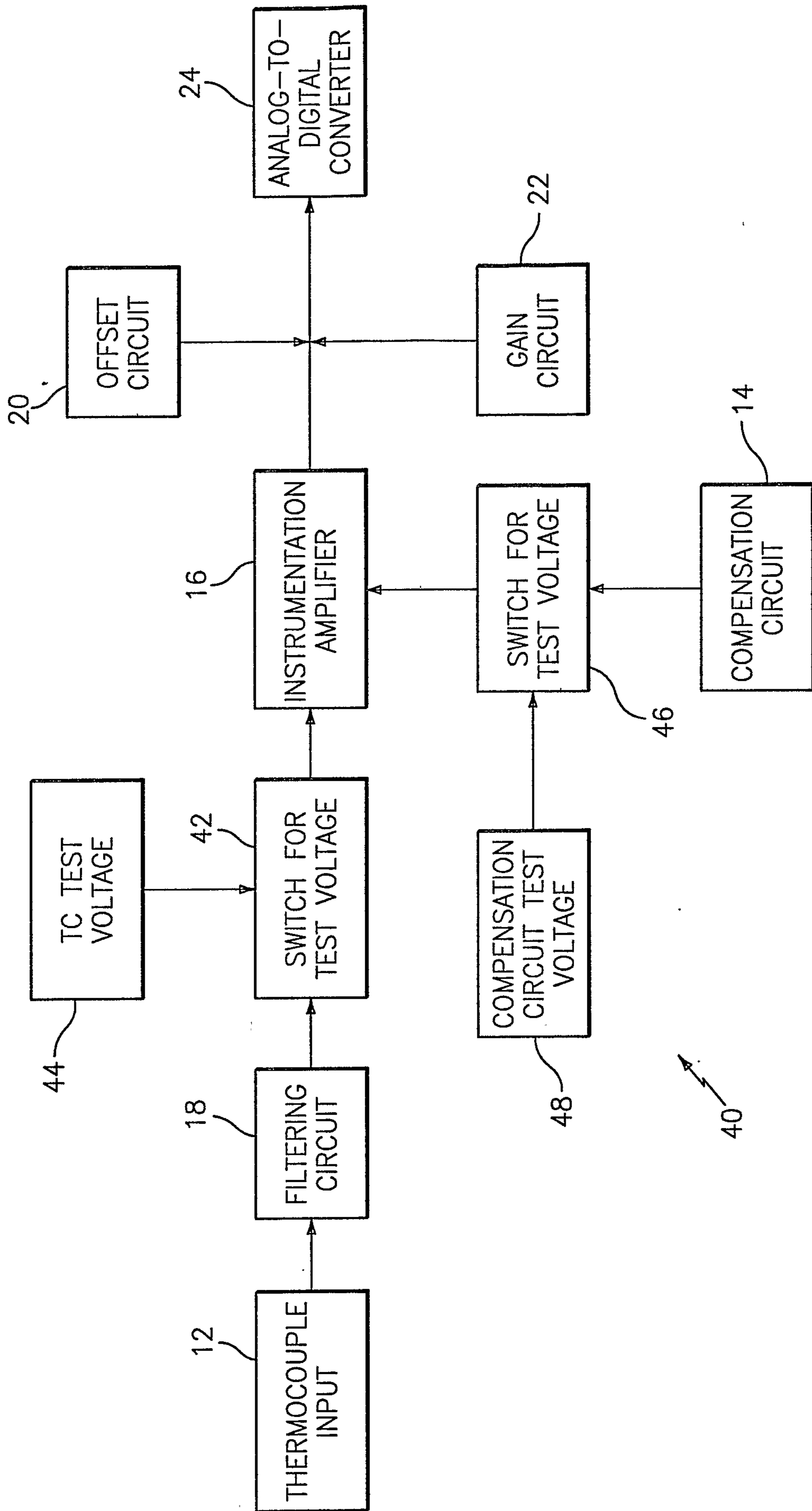


FIG. 3

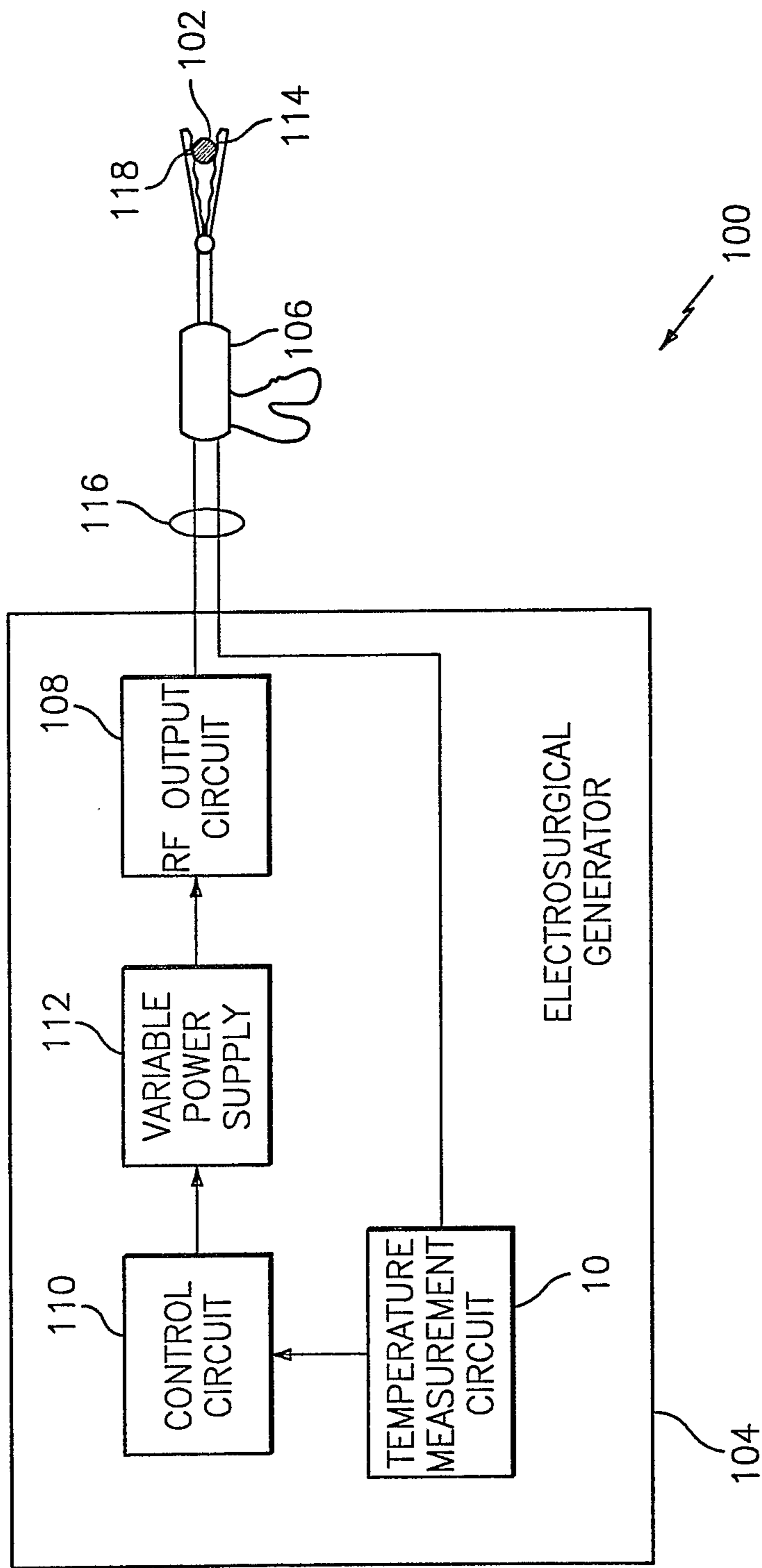


FIG. 4

