



US00D813000S

(12) **United States Design Patent**  
**Cigarini et al.**

(10) **Patent No.:** **US D813,000 S**

(45) **Date of Patent:** **\*\* Mar. 20, 2018**

(54) **HEAD TRIMMER**

(71) Applicant: **TECOMEC S.R.L.**, Reggio Emilia (IT)

(72) Inventors: **Enrico Cigarini**, Reggio Emilia (IT);  
**Salvatore Longo**, Cadelbasco Sopra (IT)

(73) Assignee: **TECOMEC S.R.L.**, Reggio Emilia (IT)

(\*\*) Term: **15 Years**

(21) Appl. No.: **29/562,330**

(22) Filed: **Apr. 25, 2016**

D479,961 S	9/2003	Iacona	
D482,581 S	11/2003	Nystrom	
D482,941 S	12/2003	Nystrom	
D502,368 S	3/2005	Nystrom et al.	
D598,255 S *	8/2009	Alliss	D8/8
7,640,668 B2	1/2010	Iacona	
D630,068 S	1/2011	Proulx	
7,913,401 B2	3/2011	Iacona	
D638,678 S	5/2011	Proulx	
D638,679 S	5/2011	Proulx	
D653,920 S	2/2012	Cigarini	
D668,517 S	10/2012	Landberg	
8,689,451 B2	4/2014	Cigarini	
D715,608 S	10/2014	Cigarini	
8,869,405 B2	10/2014	Codeluppi et al.	
D720,970 S	1/2015	Hermann	

(Continued)

(30) **Foreign Application Priority Data**

Mar. 18, 2016 (EM) ..... 003034214-0001

(51) **LOC (11) CL.** ..... **08-01**

(52) **U.S. Cl.**  
USPC ..... **D8/8**

(58) **Field of Classification Search**

USPC ..... D8/1, 7, 8, 9, 383, 499; D15/1, 17  
CPC .... A01D 34/01; A01D 34/412; A01D 34/416;  
A01D 34/015; A01D 34/4161; A01D  
34/4165; A01D 34/4166; A01D 34/4167;  
A01D 34/84; A01G 3/062

See application file for complete search history.

(56) **References Cited**

**U.S. PATENT DOCUMENTS**

4,152,832 A	5/1979	Akaike et al.
D254,173 S	2/1980	Proulx
4,195,408 A	4/1980	Palmieri et al.
4,276,691 A	7/1981	Palmieri et al.
4,349,962 A	9/1982	Itagaki et al.
D346,727 S	5/1994	Eriksson
D347,773 S	6/1994	Nash
D370,489 S	6/1996	Taggett et al.
5,979,064 A	11/1999	Kitz et al.
6,108,914 A	8/2000	Sheldon

**FOREIGN PATENT DOCUMENTS**

WO 2013179318 A1 12/2013

*Primary Examiner* — Sandra S Snapp

*Assistant Examiner* — Ieisha N Price

(74) *Attorney, Agent, or Firm* — Pearne & Gordon LLP

(57) **CLAIM**

The ornamental design for a head trimmer, as shown and described.

**DESCRIPTION**

FIG. 1 is a perspective view of a head trimmer, showing our new design;

FIG. 2 is a bottom view thereof;

FIG. 3 is a front view thereof;

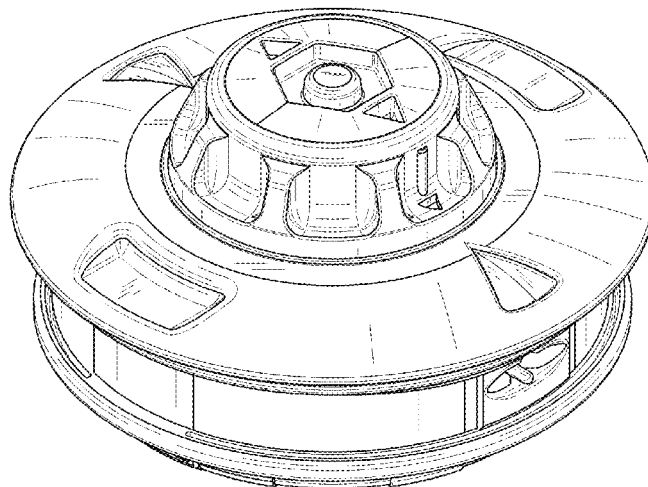
FIG. 4 is a right side view thereof, the left side view being identical thereto;

FIG. 5 is a back view thereof; and,

FIG. 6 is a top view thereof.

The broken lines in the drawings illustrate portions of the head trimmer and form no part of the claimed design.

**1 Claim, 3 Drawing Sheets**



(56)

References Cited

U.S. PATENT DOCUMENTS

8,925,206 B2	1/2015	Cigarini	2011/0302793 A1	12/2011	Alliss
D727,116 S	4/2015	Tinius	2012/0131804 A1	5/2012	Cigarini
D727,695 S	4/2015	Tinius	2012/0260508 A1	10/2012	Duvall
D759,445 S *	6/2016	Tinius .....	2014/0033546 A1	2/2014	Arnetoli
D763,640 S	8/2016	Cigarini et al.	2014/0215835 A1	8/2014	Racov et al.
D776,995 S	1/2017	Schoch	2014/0250699 A1	9/2014	Weimer et al.
D776,997 S *	1/2017	Tinius .....	2014/0259692 A1	9/2014	Racov et al.
D796,293 S	9/2017	Alliss	2015/0010199 A1	1/2015	Cigarini
2002/0189107 A1	12/2002	Arnetoli	2015/0223395 A1 *	8/2015	Pellenc .....
2007/0214655 A1	9/2007	Arnetoli	2015/0289446 A1 *	10/2015	Duvall .....
2008/0053052 A1	3/2008	Cigarini	2015/0327436 A1	11/2015	Skinner et al.
2009/0172955 A1	7/2009	Morris et al.	2015/0366131 A1	12/2015	Skinner
2010/0154229 A1	6/2010	Iacona	2016/0106032 A1	4/2016	Cigarini
2010/0180451 A1	7/2010	Reynolds et al.	2016/0106033 A1	4/2016	Longo
2011/0000091 A1	1/2011	Proulx	2016/0106034 A1	4/2016	Arnetoli
2011/0119932 A1	5/2011	Pfaltzgraff et al.	2016/0106035 A1	4/2016	Longo
2011/0214295 A1	9/2011	Proulx	2016/0143219 A1	5/2016	Yuan et al.
2011/0225832 A1 *	9/2011	Alliss .....	2016/0235001 A1	8/2016	Cigarini et al.
		A01D 34/4162	2016/0330903 A1	11/2016	Miller et al.
		30/347	2017/0094900 A1	4/2017	Arnetoli
2011/0289785 A1	12/2011	Jerez	2017/0208739 A1	7/2017	Arnetoli
2011/0302791 A1	12/2011	Proulx et al.			

\* cited by examiner

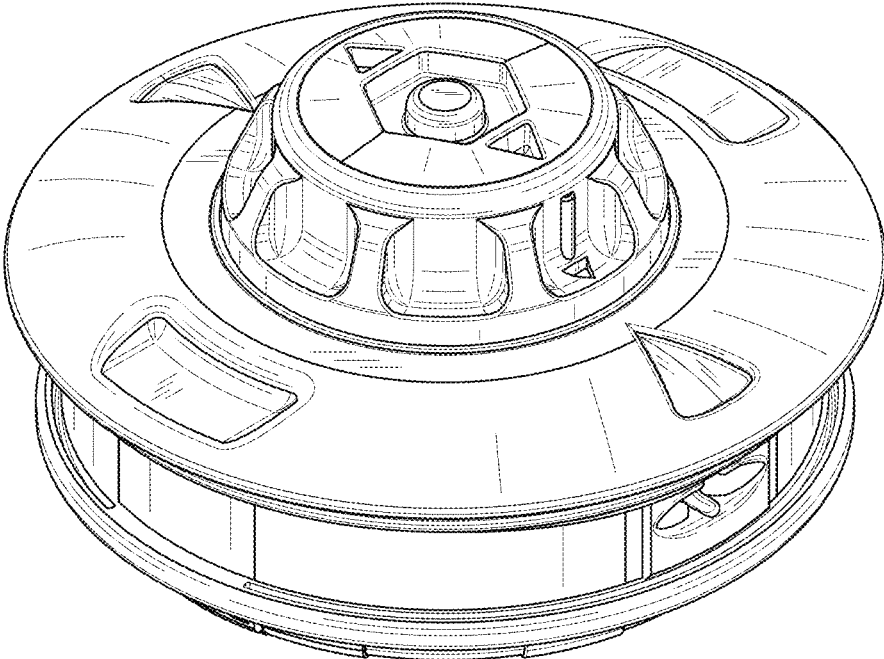


FIG. 1

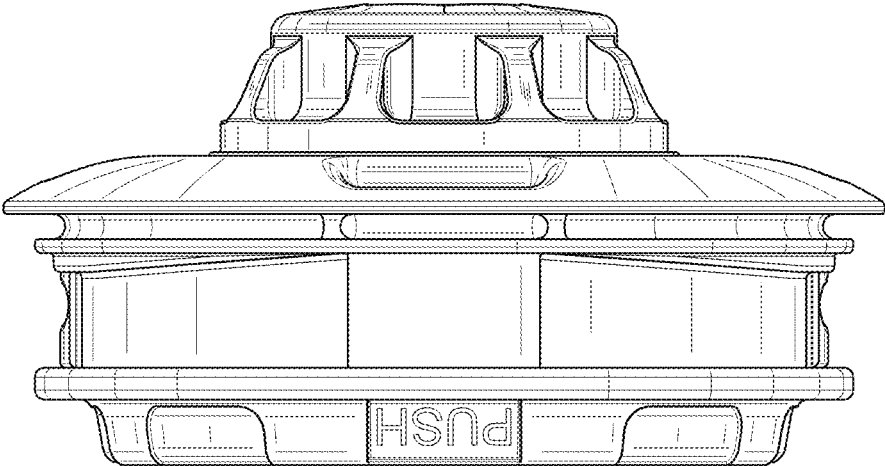


FIG. 3

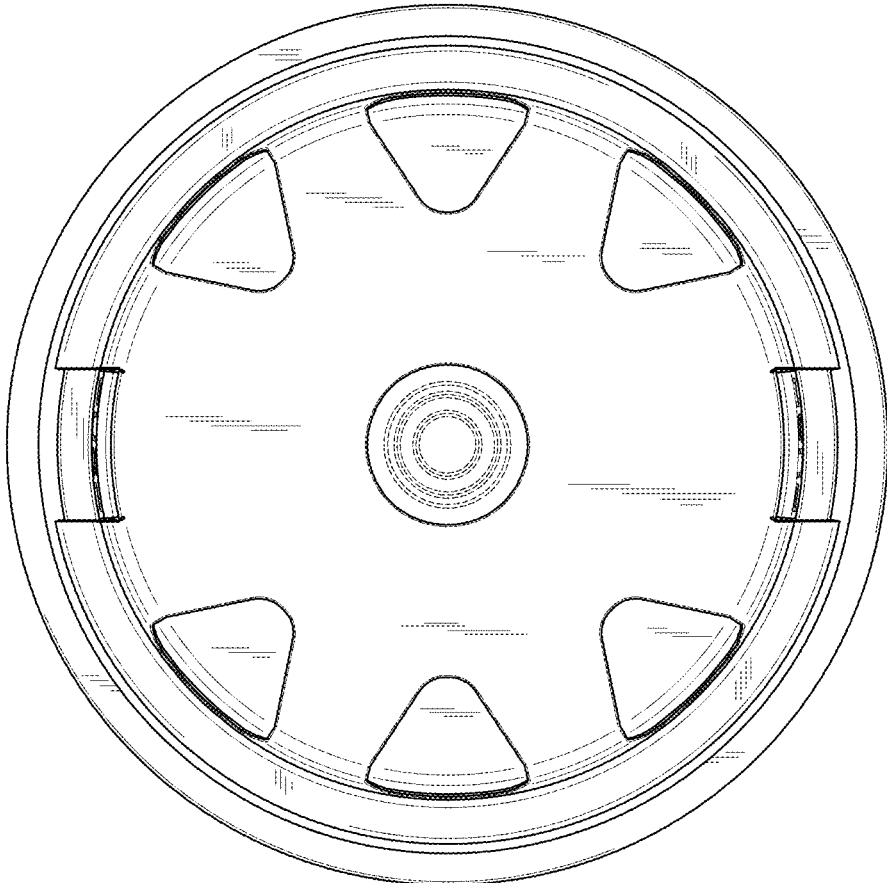


FIG. 2

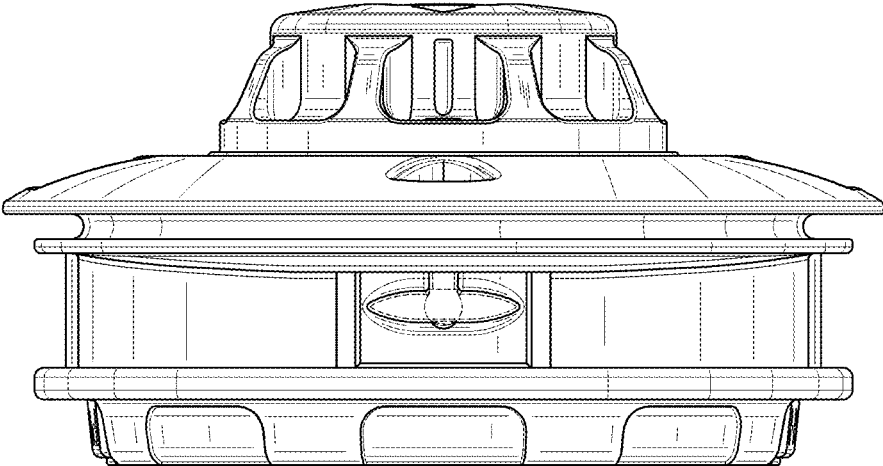


FIG. 4

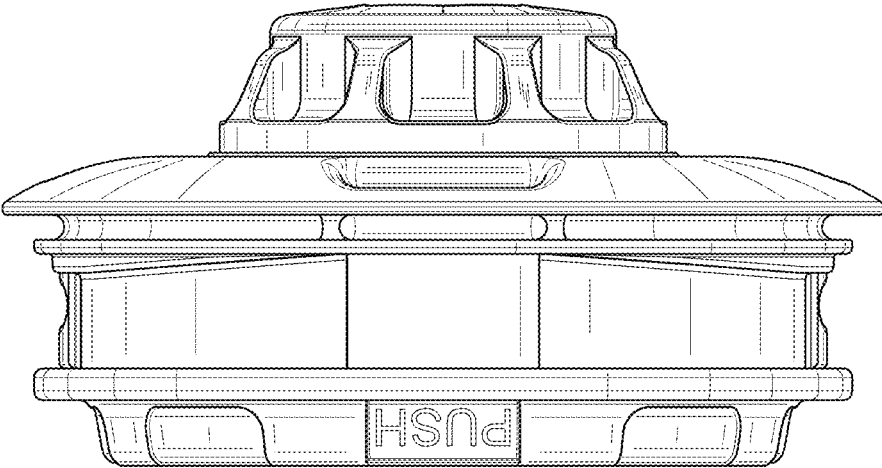


FIG. 5



FIG. 6