



US0D1063082S

(12) **United States Design Patent**  
**Liu et al.**

(10) **Patent No.:** **US D1,063,082 S**

(45) **Date of Patent:** **\*\* Feb. 18, 2025**

(54) **MASK FOR POSITIONING AND FIXING THE HEAD OF A PATIENT**

5,595,191 A \* 1/1997 Kirk ..... A61B 90/18  
128/846  
5,775,337 A \* 7/1998 Hauger ..... A61B 90/14  
128/869  
5,800,353 A \* 9/1998 McLaurin, Jr. .... A61B 5/702  
600/407

(71) Applicants: **OUR UNITED CORPORATION**,  
Xi'an (CN); **Shenzhen OUR New Medical Technologies Development Co., Ltd.**, Shenzhen (CN)

(Continued)

(72) Inventors: **Hui Liu**, Xi'an (CN); **Daliang Li**, Xi'an (CN); **Hao Yan**, Xi'an (CN); **Peng Zan**, Xi'an (CN)

*Primary Examiner* — T Chase Nelson

*Assistant Examiner* — Kelly L Gross

(74) *Attorney, Agent, or Firm* — Emerson, Thomson & Bennett, LLC; Roger D. Emerson; Matt J. Wilson

(73) Assignees: **OUR UNITED CORPORATION**, Xi'an (CN); **Shenzhen OUR New Medical Technologies Development Co., Ltd.**, Shenzhen (CN)

(57) **CLAIM**

The ornamental design for a mask for positioning and fixing the head of a patient, as shown and described.

(\*\*) Term: **15 Years**

**DESCRIPTION**

(21) Appl. No.: **29/762,427**

(22) Filed: **Dec. 16, 2020**

(30) **Foreign Application Priority Data**

Jun. 16, 2020 (CN) ..... 202030308478.7

(51) **LOC (15) Cl.** ..... **24-02**

(52) **U.S. Cl.**  
USPC ..... **D24/191; D24/184**

(58) **Field of Classification Search**  
USPC ..... D24/190, 191, 183, 184, 188, 200, 211;  
D6/716.5  
CPC ..... A61B 6/0407; A61B 6/032; A61B 90/18;  
A47B 21/0371; A47C 1/03; A47C 1/143;  
A61N 5/10; A61N 2005/1097  
See application file for complete search history.

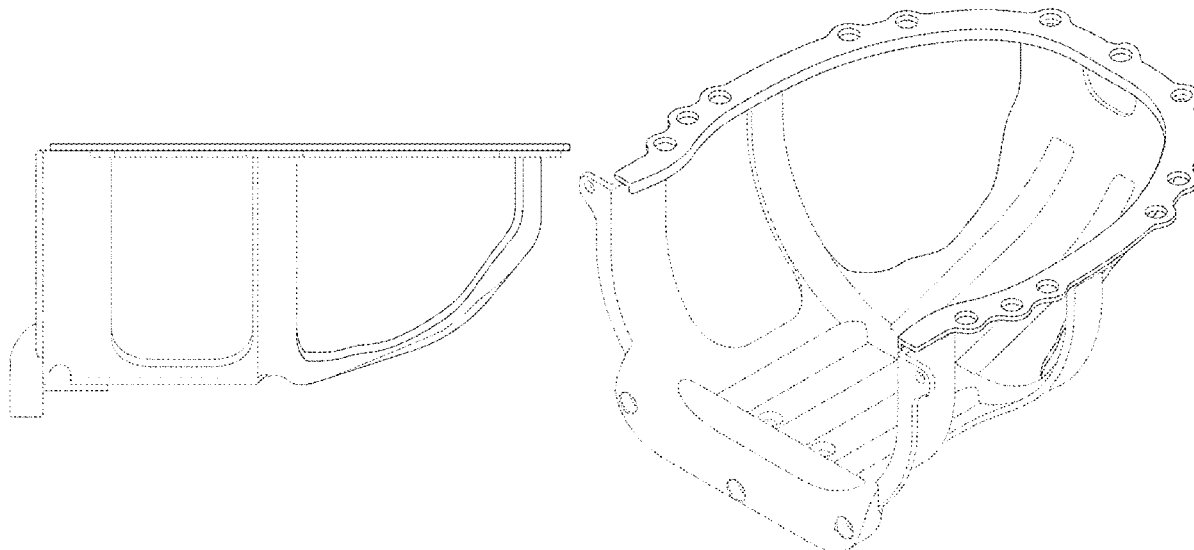
FIG. 1 is a front elevation view of a mask for positioning and fixing the head of a patient;  
FIG. 2 is a rear view thereof;  
FIG. 3 is a left side view thereof;  
FIG. 4 is a right side view thereof;  
FIG. 5 is a bottom plan view thereof;  
FIG. 6 is a top plan view thereof;  
FIG. 7 is a first perspective view thereof;  
FIG. 8 is a second perspective view thereof;  
FIG. 9 is a front elevation view of an alternative embodiment;  
FIG. 10 is a rear view thereof;  
FIG. 11 is a left side view thereof;  
FIG. 12 is a right side view thereof;  
FIG. 13 is a bottom plan view thereof;  
FIG. 14 is a top plan view thereof;  
FIG. 15 is a first perspective view thereof; and,  
FIG. 16 is a second perspective view thereof.  
The broken lines in the drawings depict portions of the mask for positioning and fixing the head of a patient that form no part of the claimed design.

(56) **References Cited**

**U.S. PATENT DOCUMENTS**

D243,364 S \* 2/1977 Miller ..... D24/234  
D318,920 S \* 8/1991 Bruhl, Jr. .... D24/191

**1 Claim, 16 Drawing Sheets**



(56)

References Cited

U.S. PATENT DOCUMENTS

6,161,237	A *	12/2000	Tang	.....	A61N 5/1049	5/601	2010/0291504	A1 *	11/2010	Paris	.....	A61B 90/17
6,282,739	B1 *	9/2001	Livingston	.....	A61N 5/10	5/643	2012/0006336	A1 *	1/2012	Meir	.....	A61B 90/18
D585,675	S *	2/2009	Zhang	.....	D6/716.5		2014/0052037	A1 *	2/2014	Cuypers	.....	A61B 90/18
D601,261	S *	9/2009	Levan	.....	D6/601		2015/0059765	A1 *	3/2015	Larson	.....	A61F 5/3707
D765,866	S *	9/2016	Randabel	.....	D24/184		2015/0065778	A1 *	3/2015	Yi	.....	A61N 5/10
D797,945	S *	9/2017	Kim	.....	D24/191		2015/0099916	A1 *	4/2015	Jurek	.....	A61N 5/10
D837,385	S *	1/2019	He	.....	D24/184		2015/0335463	A1 *	11/2015	De Gruytere	.....	A61B 6/0421
D837,386	S *	1/2019	Barber	.....	D6/601		2016/0095739	A1 *	4/2016	Coppens	.....	A61C 5/90
D844,154	S *	3/2019	Kellock	.....	D24/190		2016/0206395	A1 *	7/2016	Coppens	.....	A61F 5/3707
D844,155	S *	3/2019	Kellock	.....	A47C 7/383	D24/190	2016/0213337	A1 *	7/2016	Coppens	.....	A61N 5/10
D908,229	S *	1/2021	Wagner	.....	D24/191		2016/0271421	A1 *	9/2016	Nieberding	.....	A61B 90/18
D970,023	S *	11/2022	Kulas	.....	D24/191		2017/0258626	A1 *	9/2017	Bereket	.....	A61F 5/3707
D970,024	S *	11/2022	Kulas	.....	D24/191		2018/0235824	A1 *	8/2018	Nordgren	.....	A61G 13/121
D986,422	S *	5/2023	Kiruki	.....	D24/190		2020/0108275	A1 *	4/2020	Nordgren	.....	A61G 13/121
D986,423	S *	5/2023	Kiruki	.....	D24/190		2020/0139154	A1 *	5/2020	Wilson	.....	A61B 90/18
11,918,503	B2 *	3/2024	Nordgren	.....	A61N 5/10		2020/0269071	A1 *	8/2020	Sun	.....	A61N 5/1084
2002/0038659	A1 *	4/2002	Al-Kassim	.....	A61B 90/17	128/845	2021/0212791	A1 *	7/2021	Hengerer	.....	A61B 17/1739
2002/0108616	A1 *	8/2002	Woodburn, III	.....	A61B 6/0421	128/861	2021/0236230	A1 *	8/2021	Copple	.....	A61B 90/40
2004/0159325	A1 *	8/2004	Korver	.....	A61N 5/1049	128/869	2021/0387021	A1 *	12/2021	Liu	.....	A61N 5/1049
2005/0229936	A1 *	10/2005	Ungemach	.....	A61B 90/17	128/846	2022/0155388	A1 *	5/2022	Liu	.....	G01R 33/58
2006/0005839	A1 *	1/2006	Woodburn	.....	A61B 6/0421	128/206.29	2022/0192856	A1 *	6/2022	Coppens	.....	A61C 5/90
							2022/0280258	A1 *	9/2022	Li	.....	A61N 5/10

\* cited by examiner

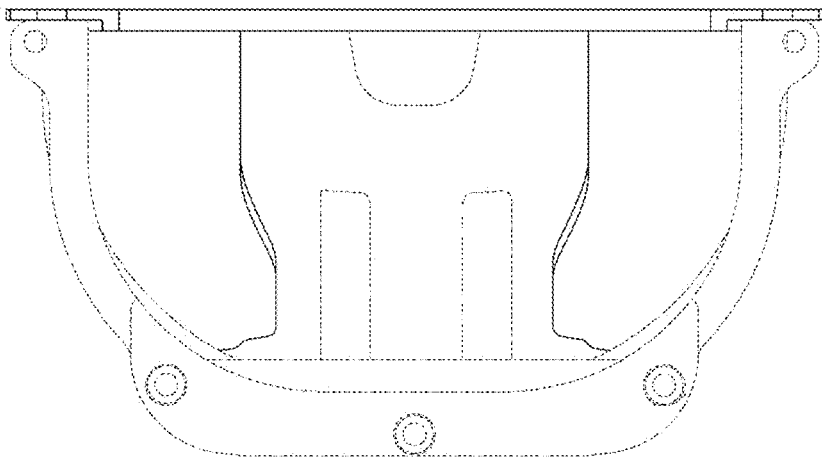


Fig.1

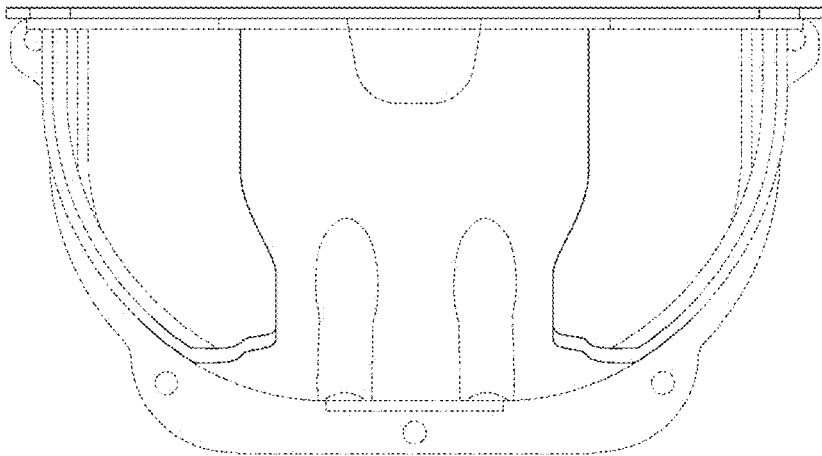


Fig.2

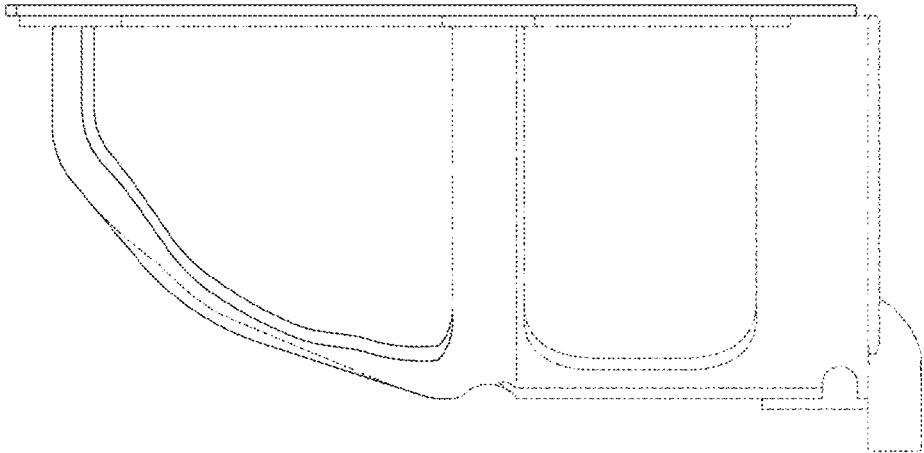


FIG. 3

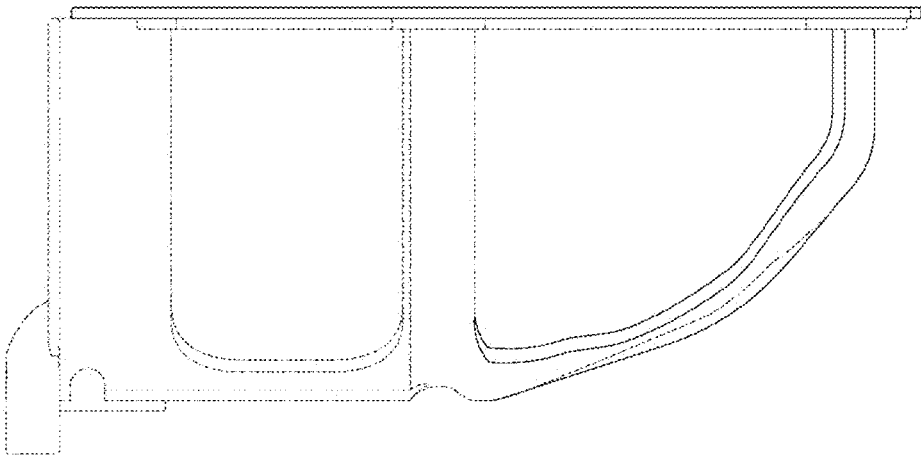


Fig.4

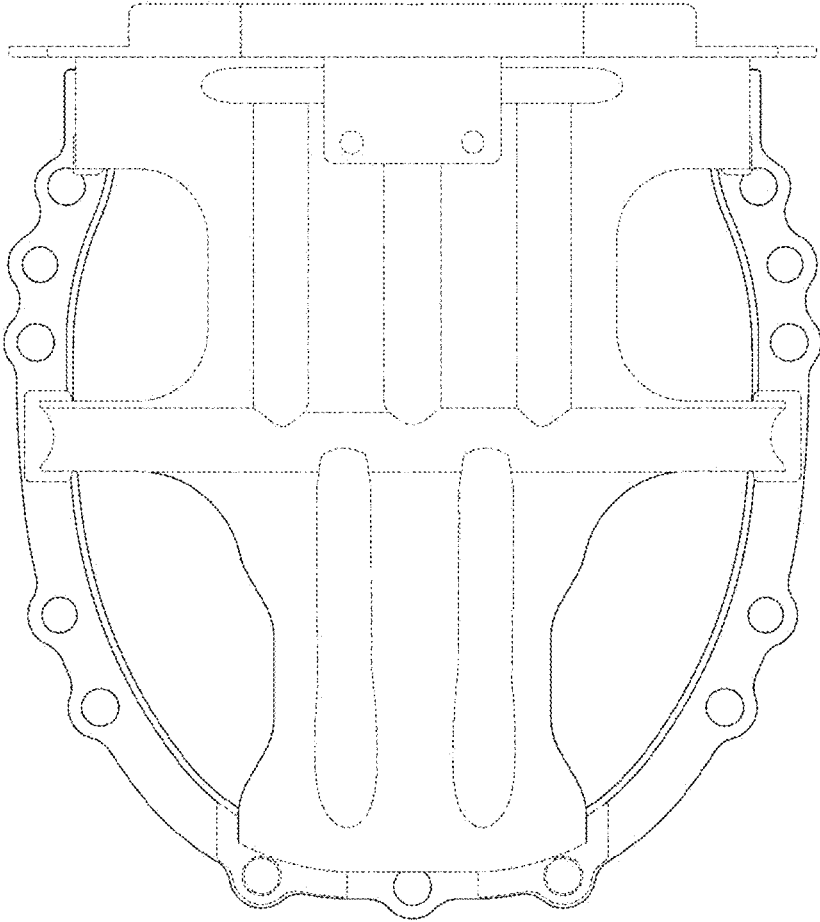


Fig.5

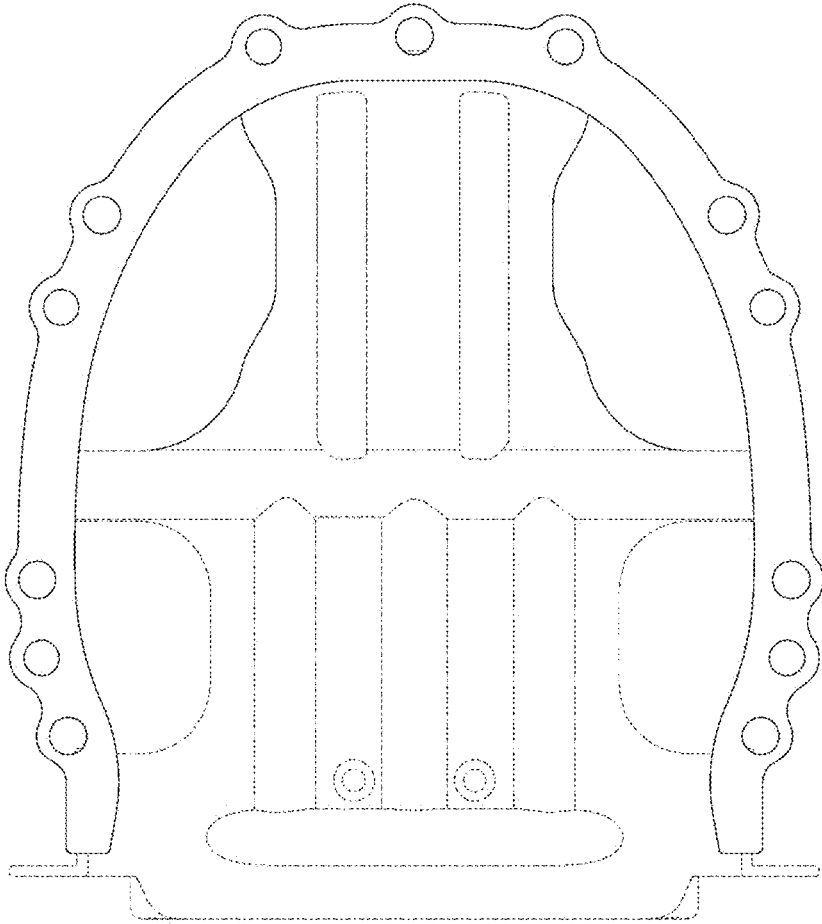


Fig.6

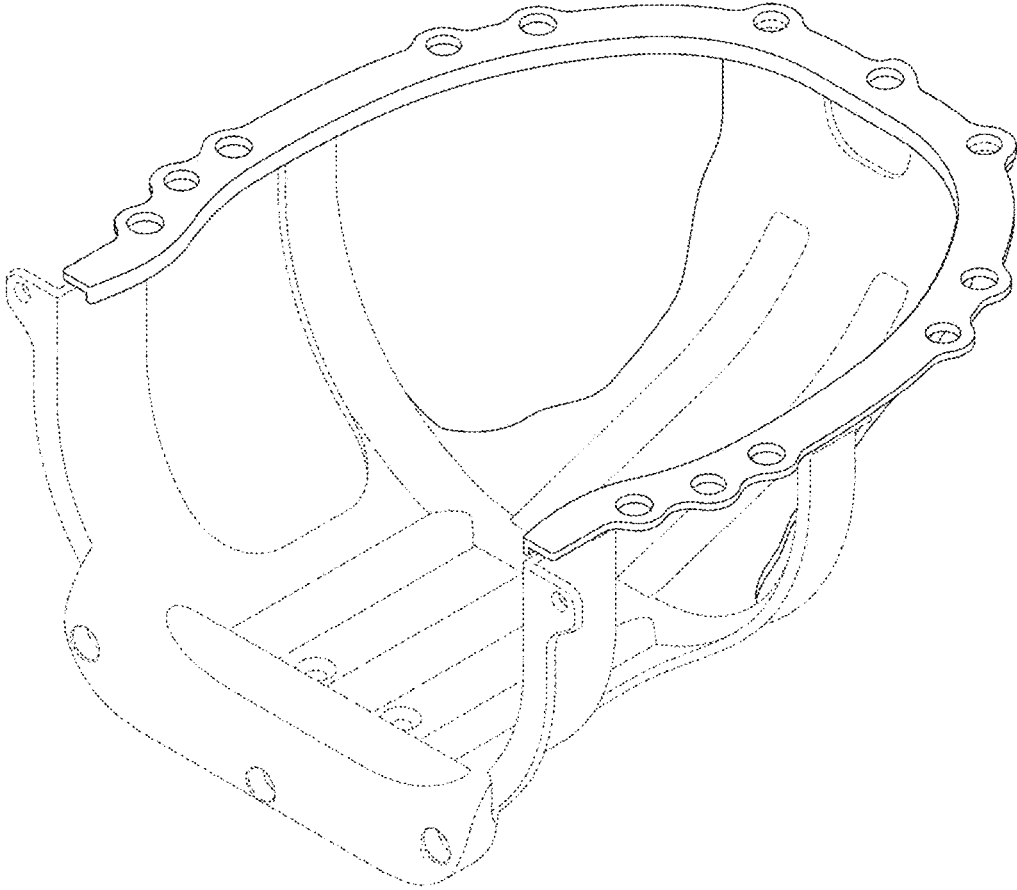


FIG. 7

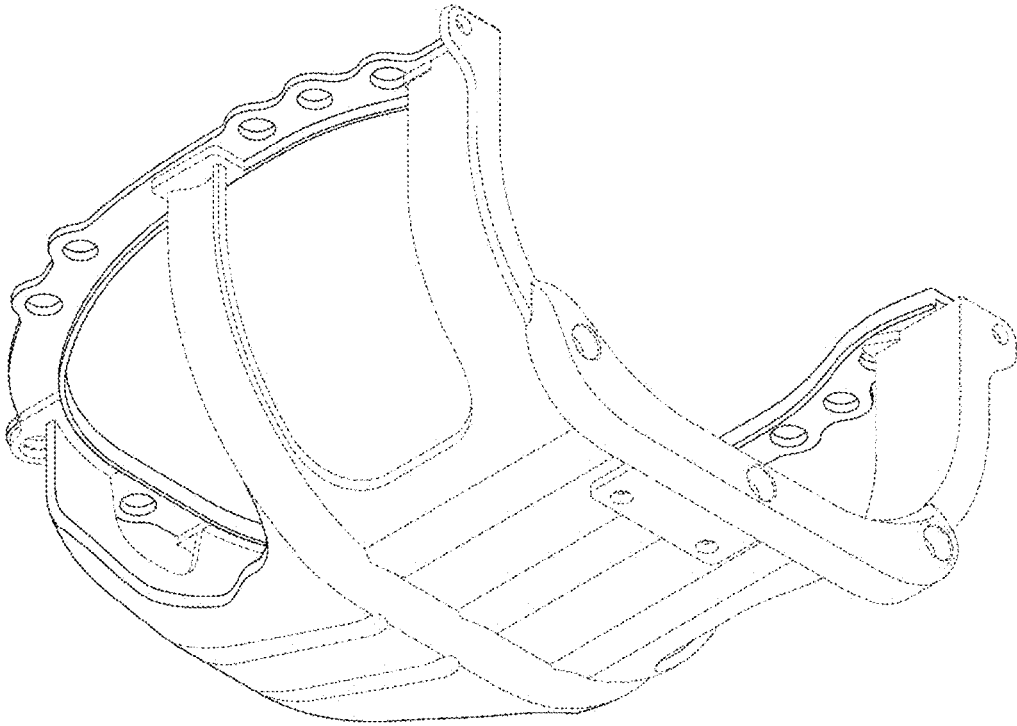


Fig.8

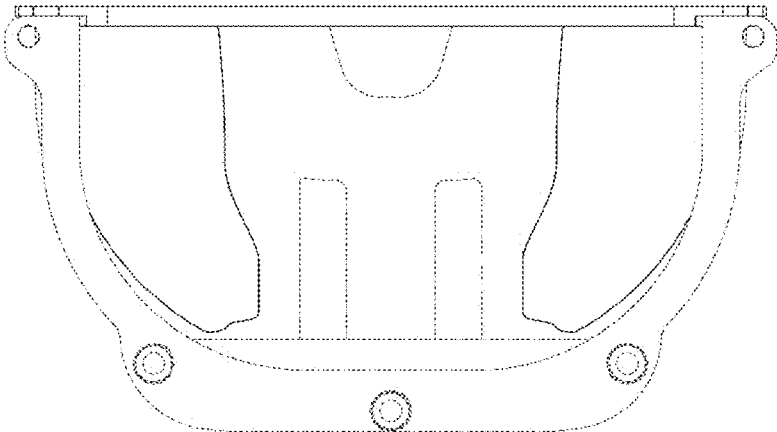


Fig.9

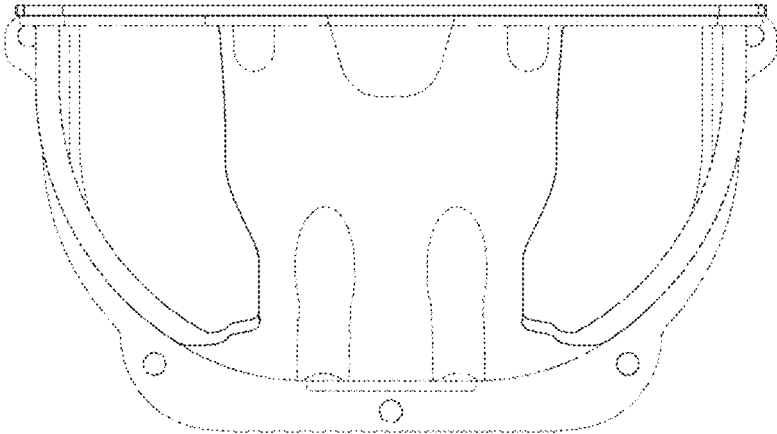


FIG. 10

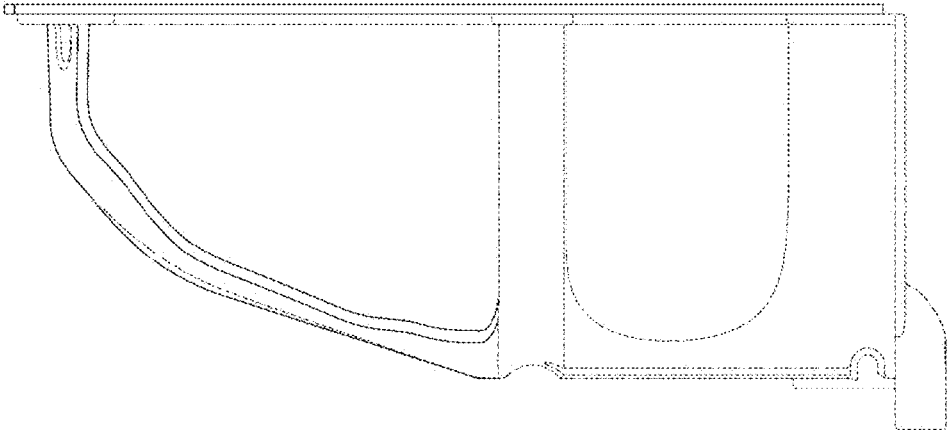


Fig.11

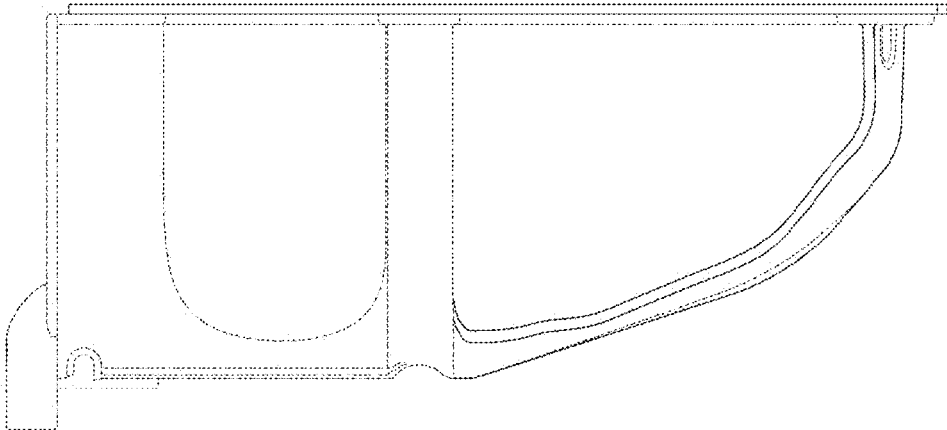


Fig.12

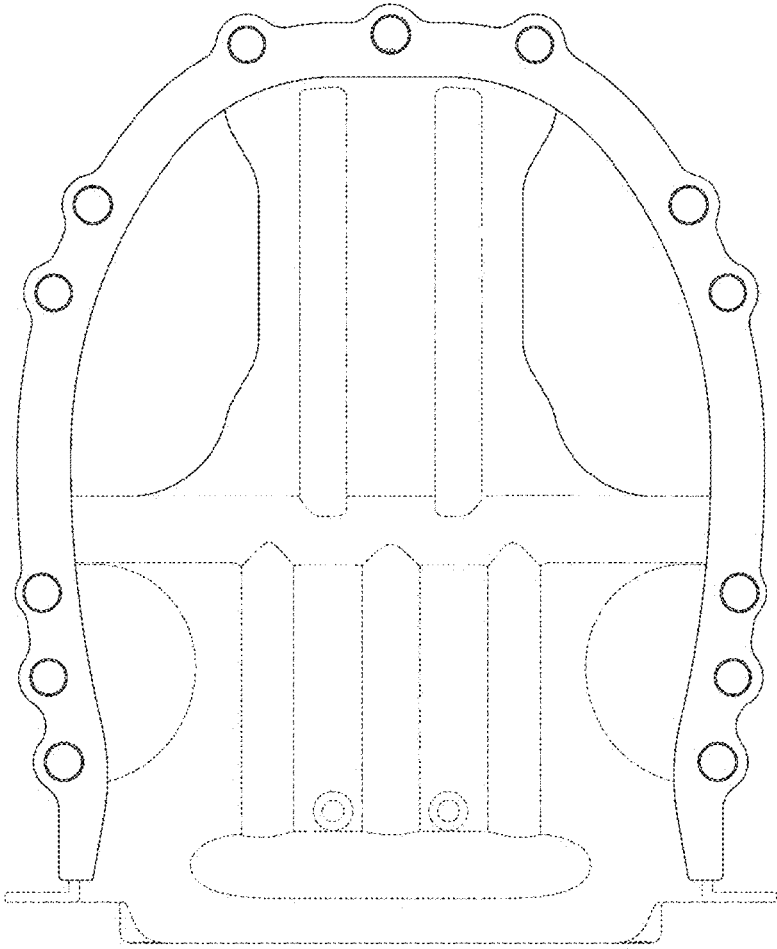


Fig.13

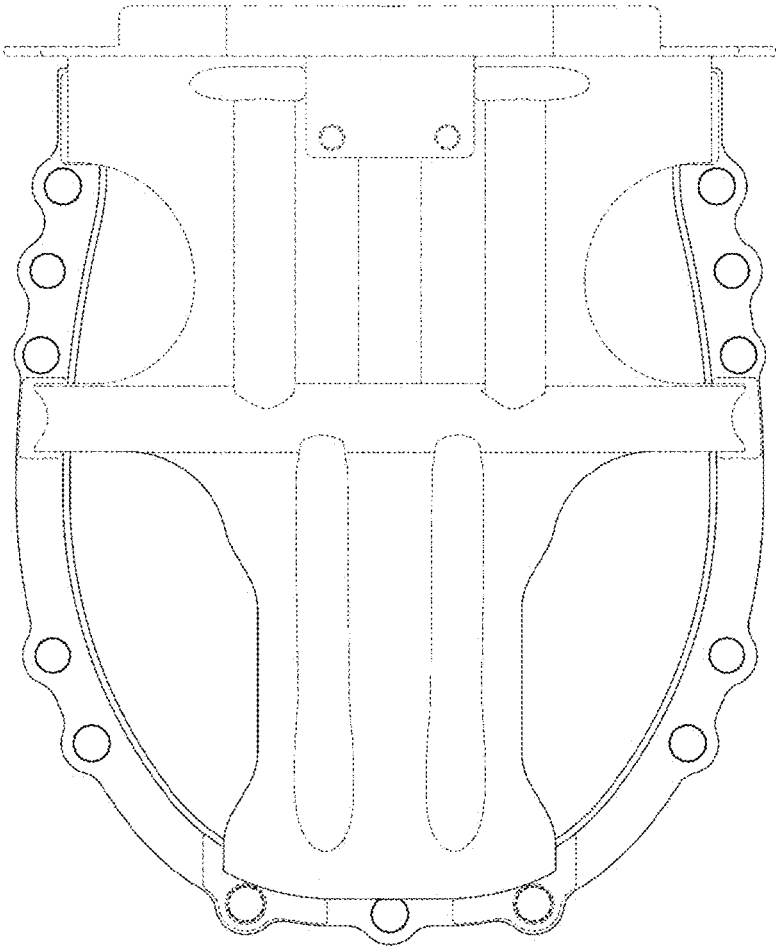


Fig.14

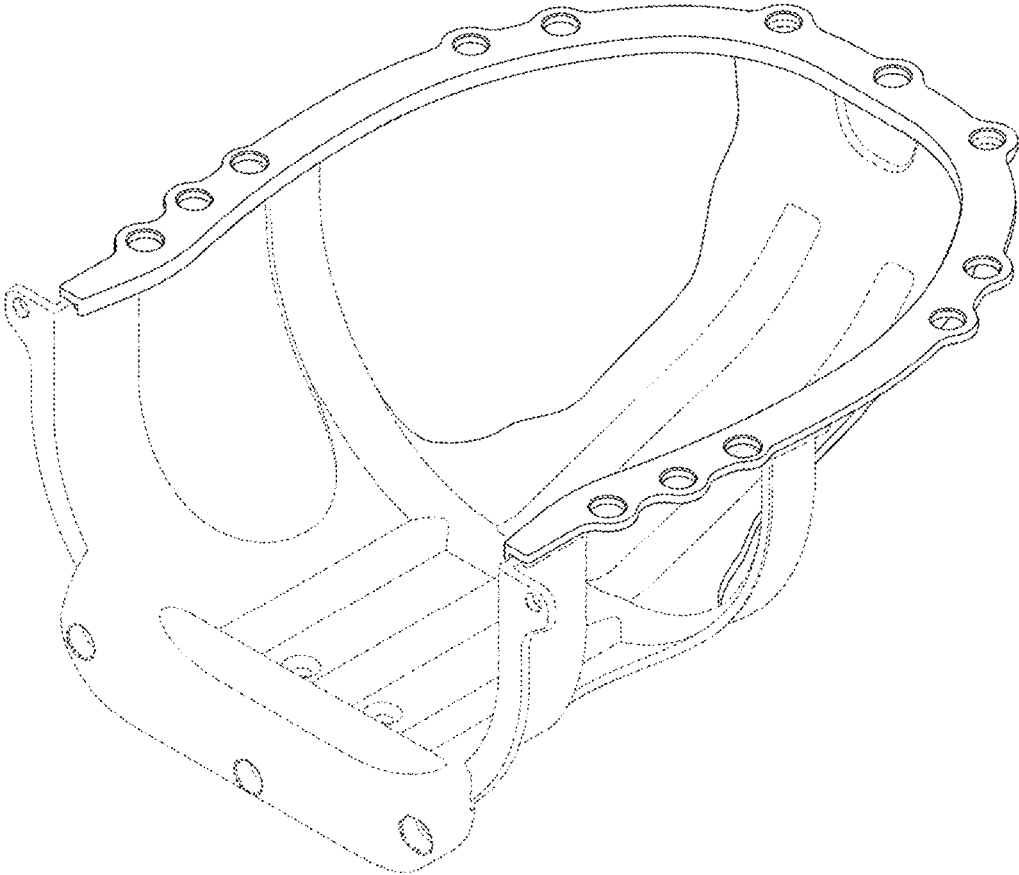


FIG. 15

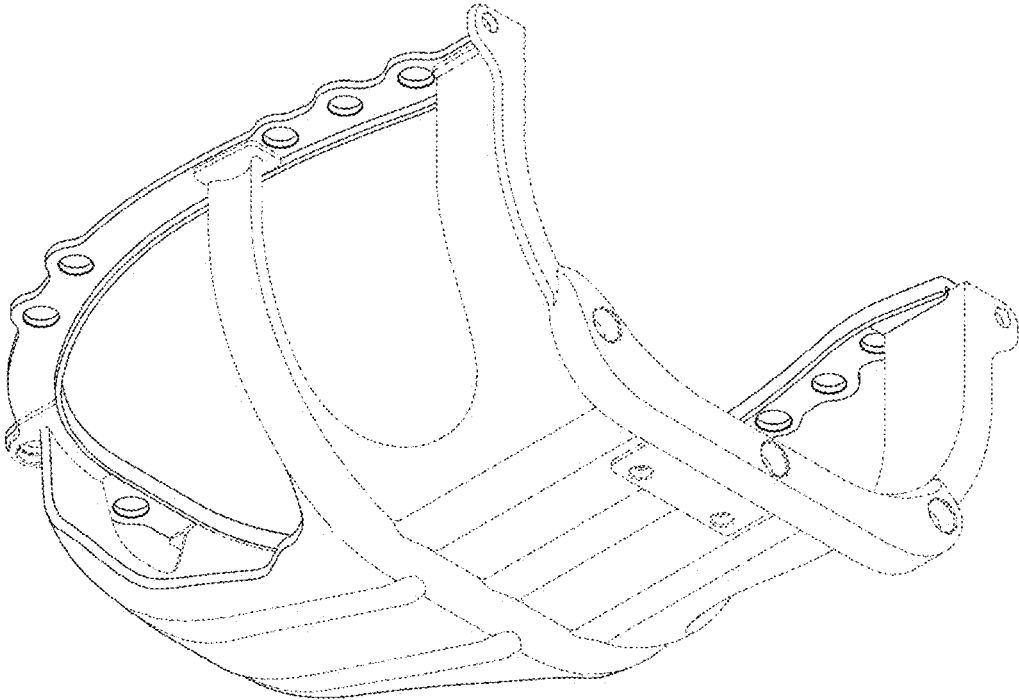


Fig.16