



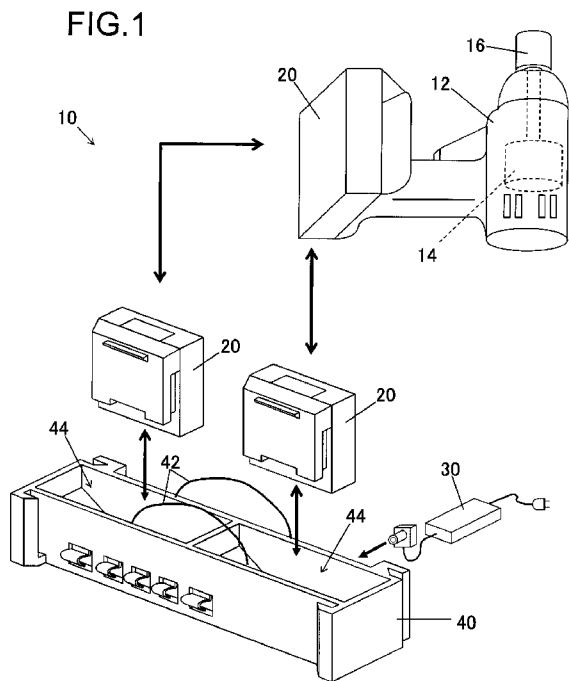
- (51) International Patent Classification:
H02J 7/00 (2006.01)
- (21) International Application Number:
PCT/JP2012/008288
- (22) International Filing Date:
25 December 2012 (25.12.2012)
- (25) Filing Language: English
- (26) Publication Language: English
- (30) Priority Data:
61/581,943 30 December 2011 (30.12.2011) US
61/702,559 18 September 2012 (18.09.2012) US
- (71) Applicant: **MAKITA CORPORATION** [JP/JP]; 3-11-8, Sumiyoshi-cho, Anjo-shi, Aichi, 4468502 (JP).
- (72) Inventors: **ITO, Kosuke**; c/o Makita Corporation, 3-11-8, Sumiyoshi-cho, Anjo-shi, Aichi, 4468502 (JP). **SUZUKI, Hitoshi**; c/o Makita Corporation, 3-11-8, Sumiyoshi-cho, Anjo-shi, Aichi, 4468502 (JP). **NAITO, Akira**; c/o Makita Corporation, 3-11-8, Sumiyoshi-cho, Anjo-shi, Aichi, 4468502 (JP).
- (74) Agent: **KAI-U PATENT LAW FIRM**; NAGOYA LUCENT TOWER 9F, 6-1, Ushijima-cho, Nishi-ku, Nagoya-shi, Aichi, 4516009 (JP).

- (81) Designated States (unless otherwise indicated, for every kind of national protection available): AE, AG, AL, AM, AO, AT, AU, AZ, BA, BB, BG, BH, BN, BR, BW, BY, BZ, CA, CH, CL, CN, CO, CR, CU, CZ, DE, DK, DM, DO, DZ, EC, EE, EG, ES, FI, GB, GD, GE, GH, GM, GT, HN, HR, HU, ID, IL, IN, IS, JP, KE, KG, KM, KN, KP, KR, KZ, LA, LC, LK, LR, LS, LT, LU, LY, MA, MD, ME, MG, MK, MN, MW, MX, MY, MZ, NA, NG, NI, NO, NZ, OM, PA, PE, PG, PH, PL, PT, QA, RO, RS, RU, RW, SC, SD, SE, SG, SK, SL, SM, ST, SV, SY, TH, TJ, TM, TN, TR, TT, TZ, UA, UG, US, UZ, VC, VN, ZA, ZM, ZW.
- (84) Designated States (unless otherwise indicated, for every kind of regional protection available): ARIPO (BW, GH, GM, KE, LR, LS, MW, MZ, NA, RW, SD, SL, SZ, TZ, UG, ZM, ZW), Eurasian (AM, AZ, BY, KG, KZ, RU, TJ, TM), European (AL, AT, BE, BG, CH, CY, CZ, DE, DK, EE, ES, FI, FR, GB, GR, HR, HU, IE, IS, IT, LT, LU, LV, MC, MK, MT, NL, NO, PL, PT, RO, RS, SE, SI, SK, SM, TR), OAPI (BF, BJ, CF, CG, CI, CM, GA, GN, GQ, GW, ML, MR, NE, SN, TD, TG).

Published:
— with international search report (Art. 21(3))

[Continued on next page]

(54) Title: CHARGER, BATTERY PACK CHARGING SYSTEM AND CORDLESS POWER TOOL SYSTEM



(57) Abstract: A charger (40; 240; 340) charges a battery pack (20) that is detachably attachable to a cordless power tool (12). The charger has at least a first side wall (44b) that at least partially defines a battery pack receiving hole (44; 244) shaped to receive and accommodate the battery pack. A charging output element (62; 362) supplies charging power to the battery pack. The battery pack receiving hole has a lateral cross sectional area that decreases downwardly in the vertical direction of the battery pack receiving hole such that gravity causes the battery pack to be guided to a prescribed position within the battery pack receiving hole. In addition, the charging output element is positioned so as to be proximal to a corresponding charging power input element of the battery pack when the battery pack is disposed in the prescribed position.

WO 2013/099228 A3

(88) Date of publication of the international search report:
10 October 2013

INTERNATIONAL SEARCH REPORT

International application No
PCT/JP2012/008288

A. CLASSIFICATION OF SUBJECT MATTER
INV. H02J7/00
ADD.
According to International Patent Classification (IPC) or to both national classification and IPC

B. FIELDS SEARCHED
Minimum documentation searched (classification system followed by classification symbols)
H02J
Documentation searched other than minimum documentation to the extent that such documents are included in the fields searched

Electronic data base consulted during the international search (name of data base and, where practicable, search terms used)
EPO-Internal

C. DOCUMENTS CONSIDERED TO BE RELEVANT		
Category*	Citation of document, with indication, where appropriate, of the relevant passages	Relevant to claim No.
X	EP 0 470 754 A2 (BLACK & DECKER INC [US]) 12 February 1992 (1992-02-12)	1,2,8, 16,17,19
Y	column 4, line 58 - column 7, line 23; figure 3	10-15, 18-23

X	GB 2 124 839 A (WODEN ELECTRICAL PRODUCTS LIMI) 22 February 1984 (1984-02-22)	1-3,5, 16,17
Y	page 1, line 10 - page 3, line 19; figures 2,3	10-15, 18-23

X	US 2009/276637 A1 (COONAN GARY [US] ET AL) 5 November 2009 (2009-11-05)	1,7,8, 12,16,17
Y	paragraph [0045] - paragraph [0046]; figures 1,10	10-15, 18-23

	-/--	

Further documents are listed in the continuation of Box C.

See patent family annex.

* Special categories of cited documents :

- "A" document defining the general state of the art which is not considered to be of particular relevance
- "E" earlier application or patent but published on or after the international filing date
- "L" document which may throw doubts on priority claim(s) or which is cited to establish the publication date of another citation or other special reason (as specified)
- "O" document referring to an oral disclosure, use, exhibition or other means
- "P" document published prior to the international filing date but later than the priority date claimed

"T" later document published after the international filing date or priority date and not in conflict with the application but cited to understand the principle or theory underlying the invention

"X" document of particular relevance; the claimed invention cannot be considered novel or cannot be considered to involve an inventive step when the document is taken alone

"Y" document of particular relevance; the claimed invention cannot be considered to involve an inventive step when the document is combined with one or more other such documents, such combination being obvious to a person skilled in the art

"&" document member of the same patent family

Date of the actual completion of the international search 18 June 2013	Date of mailing of the international search report 28/06/2013
Name and mailing address of the ISA/ European Patent Office, P.B. 5818 Patentlaan 2 NL - 2280 HV Rijswijk Tel. (+31-70) 340-2040, Fax: (+31-70) 340-3016	Authorized officer Jonda, Sven

INTERNATIONAL SEARCH REPORT

International application No
PCT/JP2012/008288

C(Continuation). DOCUMENTS CONSIDERED TO BE RELEVANT		
Category*	Citation of document, with indication, where appropriate, of the relevant passages	Relevant to claim No.
Y	US 2006/113956 A1 (BUBLITZ SCOTT D [US] ET AL) 1 June 2006 (2006-06-01) paragraph [0135] - paragraph [0199]; figures 1-93	10-13, 19-23

Y	JP 2009 262254 A (TOTSU KATSUYUKI) 12 November 2009 (2009-11-12) abstract	14,15,18

INTERNATIONAL SEARCH REPORT

Information on patent family members

International application No

PCT/JP2012/008288

Patent document cited in search report	Publication date	Patent family member(s)	Publication date
EP 0470754	A2	12-02-1992	EP 0470754 A2
			JP H04253171 A
			US 5148094 A

GB 2124839	A	22-02-1984	NONE

US 2009276637	A1	05-11-2009	NONE

US 2006113956	A1	01-06-2006	CN 1972004 A
			DE 102006051753 A1
			GB 2432059 A
			US 2006113956 A1

JP 2009262254	A	12-11-2009	NONE
