



(43) International Publication Date
12 December 2013 (12.12.2013)

- (51) **International Patent Classification:**
A61M 5/315 (2006.01) *A61M 5/50* (2006.01)
- (21) **International Application Number:**
PCT/CN2012/087908
- (22) **International Filing Date:**
28 December 2012 (28.12.2012)
- (25) **Filing Language:** English
- (26) **Publication Language:** English
- (30) **Priority Data:**
201210188526.8 6 June 2012 (06.06.2012) CN
- (71) **Applicant:** SHANGHAI SOL-MILLENNIUM MEDICAL PRODUCTS CO., LTD. [CN/CN]; Suite 701-703, Block E, Poly Plaze, 18 Dongfang Road, Pudong New Area, Shanghai 200120 (CN).
- (72) **Inventor:** LIN, Zuoqian; Wenling Sol-millennium Medical Products Co., Ltd., Yannan Village, Shitang Town, Wenling, Zhejiang 317513 (CN).
- (74) **Agent:** KING & WOOD MALLESONS; 20th Floor, East Tower, World Financial Center, No.1 Dongsanhuan Zhonglu, Chaoyang District, Beijing 100020 (CN).

(81) **Designated States** (unless otherwise indicated, for every kind of national protection available): AE, AG, AL, AM, AO, AT, AU, AZ, BA, BB, BG, BH, BN, BR, BW, BY, BZ, CA, CH, CL, CN, CO, CR, CU, CZ, DE, DK, DM, DO, DZ, EC, EE, EG, ES, FI, GB, GD, GE, GH, GM, GT, HN, HR, HU, ID, IL, IN, IS, JP, KE, KG, KM, KN, KP, KR, KZ, LA, LC, LK, LR, LS, LT, LU, LY, MA, MD, ME, MG, MK, MN, MW, MX, MY, MZ, NA, NG, NI, NO, NZ, OM, PA, PE, PG, PH, PL, PT, QA, RO, RS, RU, RW, SC, SD, SE, SG, SK, SL, SM, ST, SV, SY, TH, TJ, TM, TN, TR, TT, TZ, UA, UG, US, UZ, VC, VN, ZA, ZM, ZW.

(84) **Designated States** (unless otherwise indicated, for every kind of regional protection available): ARIPO (BW, GH, GM, KE, LR, LS, MW, MZ, NA, RW, SD, SL, SZ, TZ, UG, ZM, ZW), Eurasian (AM, AZ, BY, KG, KZ, RU, TJ, TM), European (AL, AT, BE, BG, CH, CY, CZ, DE, DK, EE, ES, FI, FR, GB, GR, HR, HU, IE, IS, IT, LT, LU, LV, MC, MK, MT, NL, NO, PL, PT, RO, RS, SE, SI, SK, SM, TR), OAPI (BF, BJ, CF, CG, CI, CM, GA, GN, GQ, GW, ML, MR, NE, SN, TD, TG).

Published:

— with international search report (Art. 21(3))

(54) **Title:** DISPOSABLE SYRINGE AND PUSH ROD FOR THE SAME

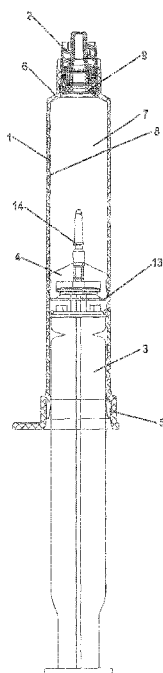


Fig. 1

(57) **Abstract:** A disposable syringe and a push rod (3) for use in the disposable syringe. The push rod (3) comprises a proximal end (11), a distal end (10) and an axis (12) extending through the proximal end (11) and the distal end (10). The distal end (10) of the push rod (3) is provided with a snap-fitting mechanism (14) and a stop flange (13) located at a proximal side of the snap-fitting mechanism (14). The stop flange (13) comprises a main body portion (15) formed about the axis (12) of the push rod (3) and a plurality of finger portions extending from the main body portion (15) in a direction away from the axis (12) of the push rod (3). A smaller push force continues to be applied to the push rod (3) upon completion of injection, thereby achieving an additional stroke needed when the distal end (10) of the push rod (3) snap-fits with a needle seat (2) and lessening patient's pains.



DISPOSABLE SYRINGE AND PUSH ROD FOR THE SAME

Field of the Invention

The present invention relates to a disposable syringe and a push rod for use in a
5 disposable syringe.

Background of the Invention

In order to avoid cross infection caused by repeated use of the syringe, a disposable
syringe is extensively used in medical practices. A typical disposable syringe comprises
10 a barrel, a push rod reciprocatingly moveable in the barrel and a rubber piston in contact
with the inner wall of the barrel. A distal end of the push rod and a needle seat mounted
at a distal end of the barrel form snap-fitting mechanisms which can be engaged with each
other. On the push rod is formed a stop flange located at a proximal side of the
snap-fitting mechanism, and the rubber piston is mounted between the snap-fitting
15 mechanism of the push rod and the stop flange. The stop flange is a boss-shaped
structure and approximately rigid as compared with the rubber piston. During injection,
the stop flange pushes and presses the rubber piston so that the rubber piston pushes a
liquid medicament out of the syringe. When the rubber piston is pushed to a zero line,
i.e., when the injection is finished, the rubber piston is braked. At this time, the push rod
20 continues to be pushed and pressed, the stop flange will presses the rubber piston into
deformation so that the push rod can continue to advance distally such that the front end of
the push rod is snap-fitted with the needle seat. Then, the push rod is pulled proximally,
the needle seat is pulled in the barrel via the snap-fitting mechanism to complete
self-destruction of the syringe and prevent the syringe from reuse.

25 However, in such disposable syringe in the prior art, in order to obtain an additional
stroke whereby the distal end of the push rod continues to advance to engage with the
needle seat upon completion of the injection, there is a need to apply a larger force to the
push rod to cause the rubber piston to produce sufficient deformation. This causes the
syringe strenuous in use and increases the patient's pains.

Summary of the Invention

In order to solve the above problems, according to an aspect of the present invention, there is provided a disposable syringe, comprising a barrel, a push rod and a rubber piston. The barrel comprises a proximal end, a distal end and a hollow interior. The hollow interior is defined by a barrel-shaped inner wall. The push rod is located and movable in the interior of the barrel. The push rod comprises a proximal end located outside the proximal end of the barrel, a distal end located in the interior of the barrel, and an axis extending through the proximal end and the distal end of the push rod. The distal end of the push rod is provided with a stop flange. The rubber piston is mounted on the push rod and located at the distal side of the stop flange and configured to come in contact with the inner wall of the barrel in a liquid tight manner. The stop flange comprises a main body portion formed about the axis of the push rod and a pushing and pressing portion extending from the main body portion in a direction away from the axis of the push rod and configured to push and press the rubber piston. The pushing and pressing portion is constructed in a way that when the rubber piston is stopped at the distal end of the barrel, only the pushing and pressing portion deforms as continuing to push and press the rubber piston.

According to another aspect of the present invention, there is provided a push rod for use in the disposable syringe, comprising a proximal end, a distal end and an axis extending through the proximal end and the distal end. The distal end of the push rod is provided with a stop flange. The stop flange comprises a main body portion formed about an axis of the push rod and a pushing and pressing portion extending from the main body portion in a direction away from the axis of the push rod.

According to the present invention, the stop flange comprises a main body portion in the middle and a pushing and pressing portion extending outward from the main body portion. The pushing and pressing portion forms a cantilever structure which is liable to deformation. Therefore, according to a conventional design, the rubber piston may be braked upon completion of the injection; when the pushing and pressing portion continues to push and press the rubber piston, only the pushing and pressing portion deforms, thereby achieving an additional stroke needed when the distal end of the push rod snap-fits

with the needle seat and meanwhile lessening the patient's pains.

Brief Description of Drawings

Fig.1 is a cross-sectional view of a disposable syringe according to one embodiment of
5 the present invention, wherein the syringe is in an in-injection state.

Fig.2 illustrates a state of the syringe of Fig.1 upon completion of the injection.

Fig.3 is an elevation view of a push rod for use in a disposable syringe according to an
embodiment of the present invention.

Fig.4 is an enlarged view of a distal portion of the push rod of Fig.3.

10 Fig.5 is a cross-sectional view taken along line A-A of Fig.4.

Fig.6 is a cross-sectional view taken along line B-B of Fig.4.

Detailed Description of Preferred Embodiments

A disposable syringe and a push rod for use in the disposable syringe according to the
15 present invention will be described with reference to the specific embodiments shown in
the figures. Those skilled in the art should appreciate that what is shown in the figures is
only exemplary and intended to illustrate the present invention, not to limit the present
invention.

The directional terms "distal" and "proximal" used in the following detailed
20 description are relative to medical care personnel such as a nurse for injecting for a patient,
and respectively correspond to "up" and "down" of the page of Figs.1-3.

Fig.1 and Fig.2 respectively illustrate a disposable syringe according to one
embodiment of the present invention in two states, namely, an in-injection state and a state
upon completion of injection. As shown in the figures, the disposable syringe of the
25 present invention comprises a barrel 1, a needle seat 2, a push rod 3 and a rubber piston 4.
The barrel 1 comprises a proximal end 5, a distal end 6 and a hollow interior 7. The
hollow interior 7 is defined by a barrel-shaped inner wall 8. The rubber piston 4 is
mounted on the push rod 3 and comes in contact with the inner wall 8 to achieve liquid
sealing and the discharge of a liquid medicine needed by the injection. The needle seat 2
30 is located at the distal end of the barrel 1 and comprises a snap-fitting mechanism (a first

snap-fitting mechanism) 9.

The push rod 3 is mounted in the interior 7 of the barrel 1 and movable in the interior of the barrel 1. Meanwhile, referring to Fig.3, the push rod 3 comprises a distal end 10 located in the interior 7 of the barrel, a proximal end 11 located outside the proximal end 5 of the barrel, and an axis 12 extending through the proximal end 11 and the distal end 10 of the push rod. The distal end 10 of the push rod is provided with a stop flange 13 and a snap-fitting mechanism (a second snap-fitting mechanism) 14 located at the distal side of the stop flange 13. The second snap-fitting mechanism 14 is adapted to engage with the first snap-fitting mechanism 9 upon completion of the injection so that when the push rod 10 3 is pulled proximally, the needle seat 2 snap-fitted with the push rod 3 can be pulled into the interior 7 of the barrel 1, thereby achieving self-destruction of the disposable syringe. The snap-fitting mechanisms 9 and 14 of the needle seat and of the push rod may be any suitable mechanism known in the art and used for self-destruction of the syringe after use. The present invention does not relate to improvements to the snap-fitting mechanism itself, 15 so the detailed structure of the snap-fitting mechanism will not be described herein any more.

Referring to Fig.1 and Fig.2, more specifically, the rubber piston 4 is mounted at the distal end 10 of the push rod 3 and located between the second snap-fitting mechanism 14 of the push rod 3 and the stop flange 13. When the push rod 3 moves distally, the stop 20 flange 13 pushes and presses the rubber piston 4 so that the rubber piston 4 moves distally along with it to discharge the liquid medicament out of the interior 7 of the barrel 1 through a needle on the needle seat 2; after the rubber piston 4 is braked upon completion of the injection, the stop flange 13 continues to push and press the rubber piston 4 to produce an additional stroke needed by the push rod 3 to engage with the needle seat 2.

Referring to Fig.4, Fig.5 and Fig.6, in the push rod 3 for use in the disposable syringe 25 according to the present invention, the stop flange 13 is preferably made of an elastic material. The stop flange 13 comprises a main body portion 15 formed about the axis 12 of the push rod 3 and a pushing and pressing portion 16 extending from the main body portion 15 in a direction away from the axis 12 of the push rod 3. Therefore, the pushing and pressing portion 16 extending out of the main body portion 15 forms a cantilever 30

structure. In the disposable syringe according to the present invention, the pushing and pressing portion 16 of the cantilever structure is used to push and press the rubber piston 4.

In specific embodiment shown in the figure, the pushing and pressing portion 16 is comprised of a plurality of finger-like portions. Those skilled in the art can readily envisage that the pushing and pressing portion 16 has a predetermined rigidity by virtue of customary designs such as selection of a material, a selection of the shape and a selection of the cross-section shape. During the injection, the sum of a frictional force and a liquid medicament resistance between the rubber piston 4 and the inner wall 8 of the barrel 1 is very small. Therefore, when the pushing and pressing portion 16 pushes the rubber piston 4 to move distally, the pushing and pressing portion 16 itself deforms very little or substantially does not deform. Upon completion of the injection, the rubber piston 4 is stopped at the distal end 6 (namely, a zero line) of the barrel 1, and an acting force and a counterforce produced by the pushing and pressing portion 16 continuing to push and press the rubber piston 4 will increase, whereupon only the pushing and pressing portion 16 deforms under the counterforce of the rubber piston 4, i.e., only the pushing and pressing portion 16 deforms and the rubber piston 4 does not deform. The deformation of the pushing and pressing portion 16 provides an additional stroke which is needed when a front end 11 of the push rod 3 continues to move distally and enables the second snap-fitting mechanism 14 of the push rod 3 to engage with the first snap-fitting mechanism 9 of the needle seat 2. As compared with the rubber piston 4, the pushing and pressing portion 16 is more likely to deform. Therefore, as compared with the situation in the prior art in which a larger force is needed to deform the rubber piston 4, in the present invention only a smaller force is needed to finish the additional stroke needed by the push rod 3 for engagement of the snap-fitting mechanisms and to reduce the patient's pains. In the embodiment shown in Fig.5 and Fig.6, the plurality of finger-like portions of the pushing and pressing portion 16 are symmetrically distributed relative to a plane through the axis 12 such as planes 17 and 18, namely, arranged symmetrically relative to the plane. It is appreciated that the plurality of finger-like portions may be distributed symmetrically about the axis 12, namely, arranged symmetrically about the axis. The main body portion 15 in the figure is generally rectangular, four finger-like

portions on the upper side and the lower side have the same shape, and two finger-like portions on the left side and the right side have the same shape. However, the finger-like portions on the upper and lower sides and the finger-like portions on the left and right sides are different in length and width. It can be appreciated that the main body portion 15 may be in any shape. The plurality of finger-like portions may be the same or different; they may be distributed symmetrically or asymmetrically. In the embodiment shown in Fig.4, the stop flange 13 is wholly in a shape of a sheet generally perpendicular to the axis, or at least the plurality of finger-like portions therein are in the shape of sheets generally perpendicular to the axis.

10 It should be appreciated that the pushing and pressing portion 16 may be in any other shape besides the finger shape, for example, a circular shape or a polygonal shape, so long as it can meet the desired deformation.

In order to limit the deformation degree of the pushing and pressing portion 16, or in order to prevent too much deformation of the pushing and pressing portion 16, a limiting boss 20 may be disposed at a proximal side of the stop flange 13 of the push rod 3. In a specific example shown in Figs.3 and 4, at the distal end of the push rod 3, a platform (e.g., a circular boss) 19 with ratchets is formed at the proximal side of the stop flange 13. The limiting boss 20 is a boss formed on the platform 19 and having a shape corresponding to the finger-like portion 16.

20 In a push rod of a further preferred embodiment not shown, a portion of the push rod 3 closely adjacent to the proximal side of the stop flange 13 is a bendable portion. In the present invention, "closely adjacent" means that there not other structures between two portions. Referring to Fig.3 and Fig.4, in a specific embodiment, the bendable portion 21 is located between the stop flange 13 and the circular boss 19. The bendable portion 21 is formed to have a smaller diameter or thickness than other portions of the push rod 3, or formed by any structure which is known by those skilled in the art and can produce a bent deformation.

In the case that the whole push rod is rigid, upon injection, if a push force is not coincident with the axis of the push rod, the push rod might deflect to bring the rubber piston to deflect so that a water tight function between the rubber piston and the inner wall

of the barrel loses, which causes leakage. When the push rod is assembled in the interior of the barrel, if the axis of the push rod deflects relative to the axis of the barrel, it might be difficult to mount the rubber piston in the barrel. The existence of the bendable portion can solve the above problem, and thereby facilitates use and assembling of the
5 syringe.

Embodiments of the present invention are described in detail with reference to the drawings. Those skilled in the art should appreciate that the drawings and the corresponding depictions are only intended to illustrate the present invention. On this basis, those skilled in the art may make other variations and improvements which fall
10 within the protection scope of the present invention.

WHAT IS CLAIMED IS:

1. A disposable syringe, comprising:

a barrel (1), comprising a proximal end (5), a distal end (6) and a hollow interior (7),
5 the hollow interior (7) being defined by a barrel-shaped inner wall (8);

a push rod (3) located in the interior (7) of the barrel and movable in the barrel (1), the
push rod (3) comprising a proximal end (11) located outside the proximal end (5) of the
barrel, a distal end (10) located in the interior (7) of the barrel, and an axis (12) extending
through the proximal end (11) and the distal end (10) of the push rod, the distal end (10) of
10 the push rod being provided with a stop flange (13);

a rubber piston (4) mounted on the push rod and located at a distal side of the stop
flange (13) and configured to come in contact with the inner wall (8) of the barrel in a
liquid tight manner,

characterized in that the stop flange (13) comprises:

15 a main body portion (15) formed about the axis (12) of the push rod, and

a pushing and pressing portion (16) configured to push and press the rubber piston and
extending from the main body portion (15) in a direction away from the axis (12) of the
push rod,

wherein the pushing and pressing portion is constructed in a way that when the rubber
20 piston is stopped at the distal end of the barrel, only the pushing and pressing portion
deforms as continuing to push and press the rubber piston.

2. The disposable syringe according to claim 1, characterized in that it further
comprises a needle seat (2) located at the distal end (6) of the barrel and comprising a first
25 snap-fitting mechanism (9); at the distal end (10) of the push rod is provided with a second
snap-fitting mechanism (14) located at the distal side of the rubber piston (4), the second
snap-fitting mechanism (14) is adapted to engage with the first snap-fitting mechanism (9)
via deformation of the pushing and pressing portion (16) upon completion of the injection.

30 3. The disposable syringe according to claim 1, characterized in that the stop flange

(13) is made of an elastic material.

4. The disposable syringe according to claim 1, characterized in that the pushing and pressing portion (16) is in a shape of a sheet generally perpendicular to the axis (12).

5

5. The disposable syringe according to claim 1, characterized in that the pushing and pressing portion (16) is comprised of a plurality of finger-like portions which are symmetrically distributed relative to a plane (17, 18) through the axis (12).

10

6. The disposable syringe according to claim 1, characterized in that the pushing and pressing portion (16) is comprised of a plurality of finger-like portions which are symmetrically distributed about the axis (12).

15

7. The disposable syringe according to any one of claims 1-6, characterized in that the push rod (3) comprises a bendable portion (21) closely adjacent to the proximal side of the stop flange (13).

20

8. The disposable syringe according to any one of claims 1-6, characterized in that the push rod (3) further comprises a limiting boss (20) located at a proximal side of the stop flange (13) to limit an amount of deformation of the pushing and pressing portion (16).

25

9. The disposable syringe according to claim 8, characterized in that the push rod (3) further comprises a platform (19) located at the proximal side of the stop flange (13), and the limiting boss (20) is a boss formed on the platform (19) and having a shape corresponding to the finger-like portion (16).

10. The disposable syringe according to claim 8, characterized in that a portion of the push rod (3) between the platform (19) and the stop flange (13) is a bendable portion (21).

30

11. A push rod for use in a disposable syringe, comprising a proximal end (11), a distal

end (10) and an axis (12) extending through the proximal end and the distal end, the distal end (10) of the push rod is provided with a stop flange (13), characterized in that the stop flange (13) comprises:

a main body portion (15) formed about the axis (12) of the push rod, and

5 a pushing and pressing portion (16) extending from the main body portion (15) in a direction away from the axis (12) of the push rod.

12. The push rod according to claim 11, characterized in that at the distal end (10) of the push rod is formed a snap-fitting mechanism (14) located at a distal side of the stop
10 flange (13).

13. The push rod according to claim 11, characterized in that the stop flange (13) is made of an elastic material.

15 14. The push rod according to claim 11, characterized in that the pushing and pressing portion (16) is in a shape of a sheet generally perpendicular to the axis (12).

15. The push rod according to claim 11, characterized in that the pushing and pressing portion (16) is comprised of a plurality of finger-like portions which are symmetrically
20 distributed relative to a plane (17, 18) through the axis (12).

16. The push rod according to claim 11, characterized in that the pushing and pressing portion (16) is comprised of a plurality of finger-like portions which are symmetrically distributed about the axis (12).

25

17. The push rod according to any one of claims 11-16, characterized in that the push rod (3) comprises a bendable portion (21) closely adjacent to the proximal side of the stop flange (13).

30 18. The push rod according to any one of claims 11-16, characterized in that the push

rod (3) further comprises a limiting boss (20) located at a proximal side of the stop flange (13).

19. The push rod according to claim 18, characterized in that the push rod (3) further
5 comprises a platform (19) located at the proximal side of the stop flange (13), and the limiting boss (20) is a boss formed on the platform (19).

20. The push rod according to claim 18, characterized in that a portion of the push rod (3) between the platform (19) and the stop flange (13) is a bendable portion (21).

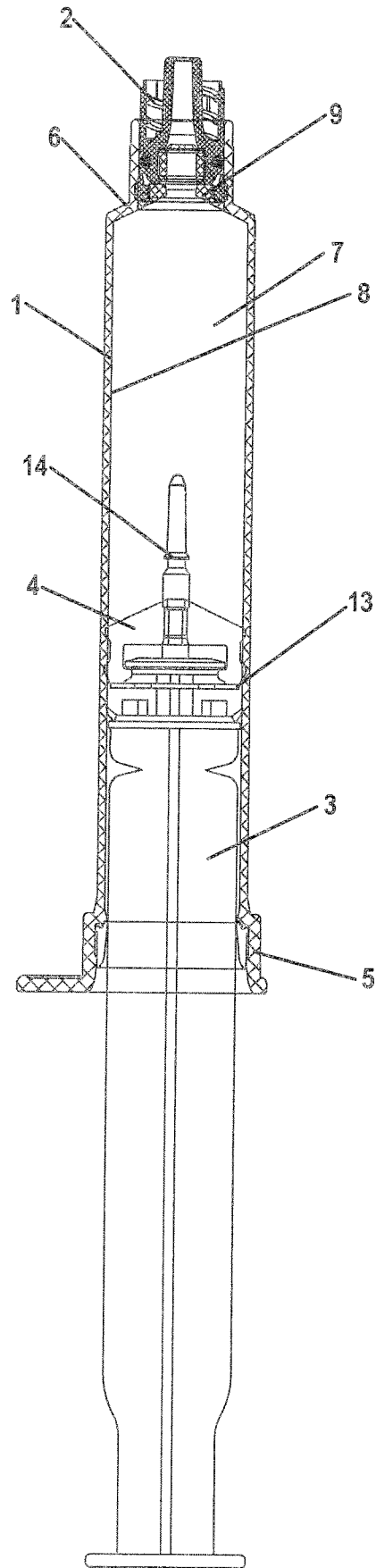


Fig. 1

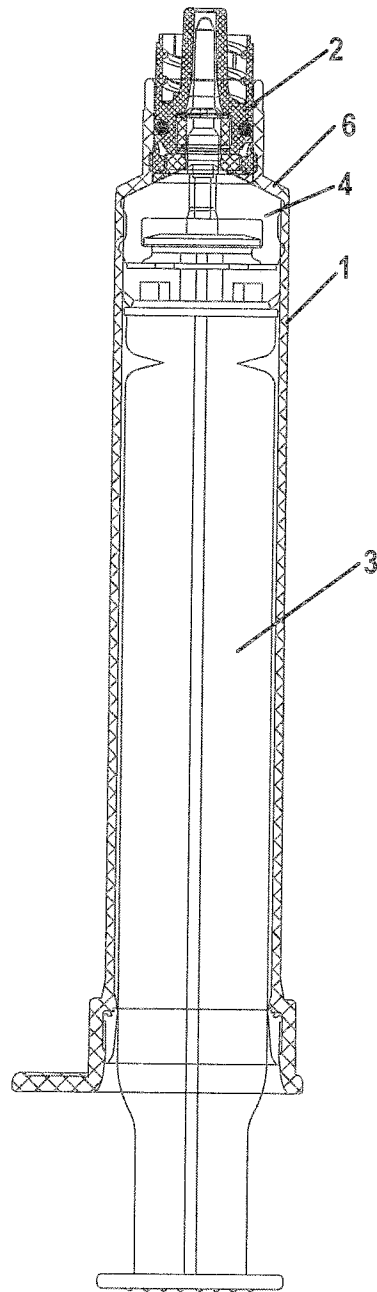


Fig. 2

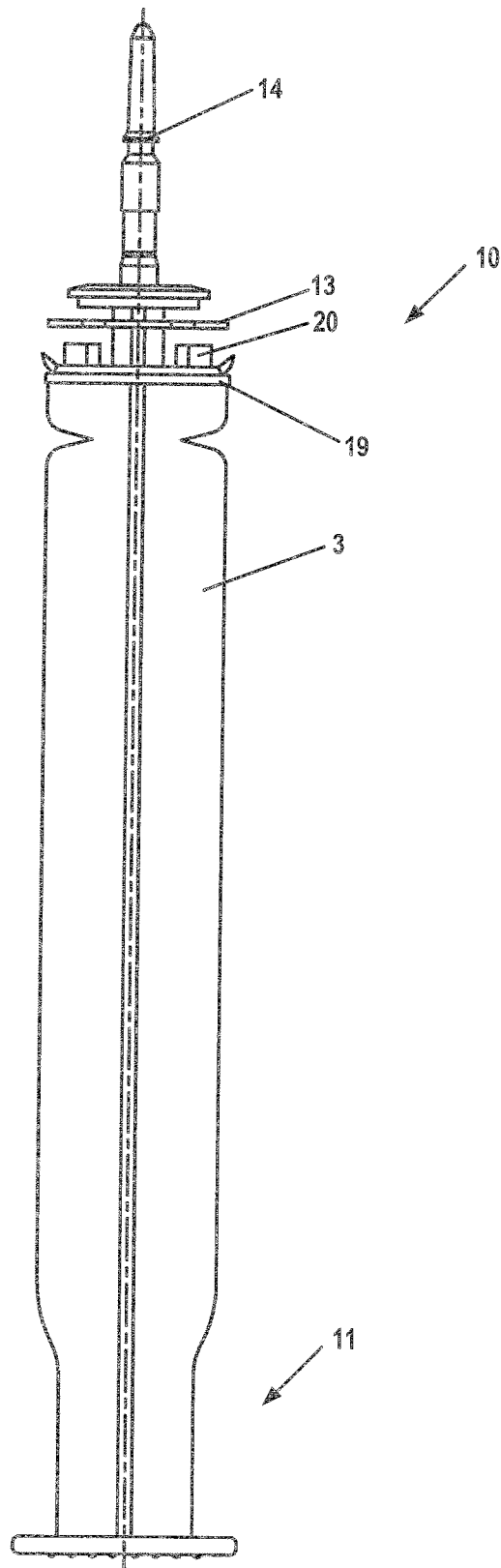


Fig. 3

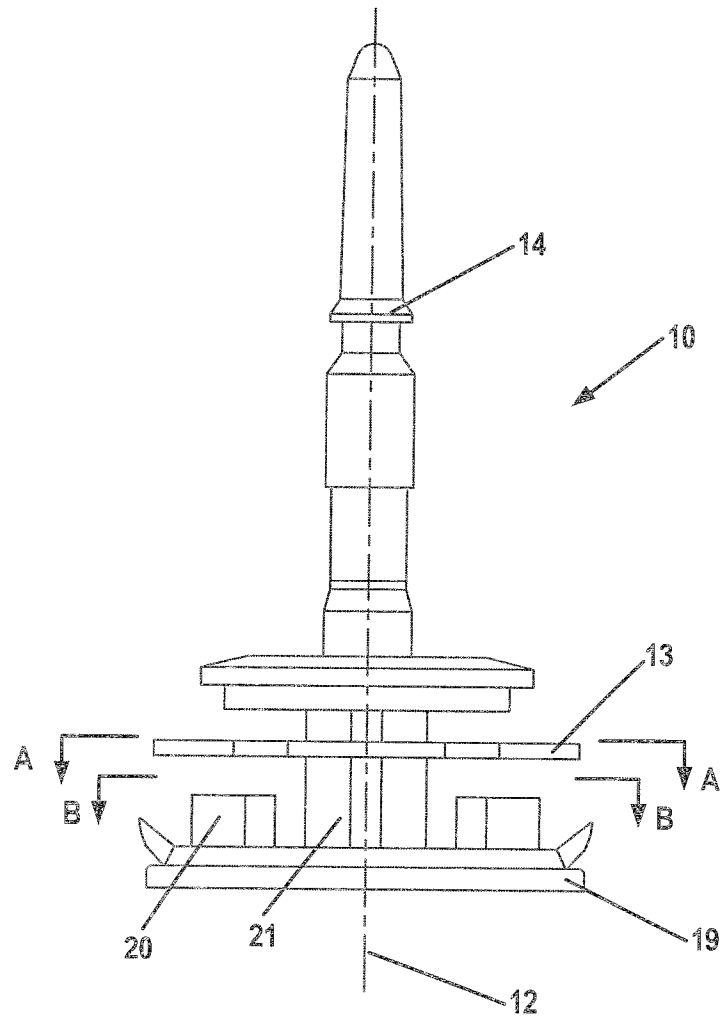


Fig. 4

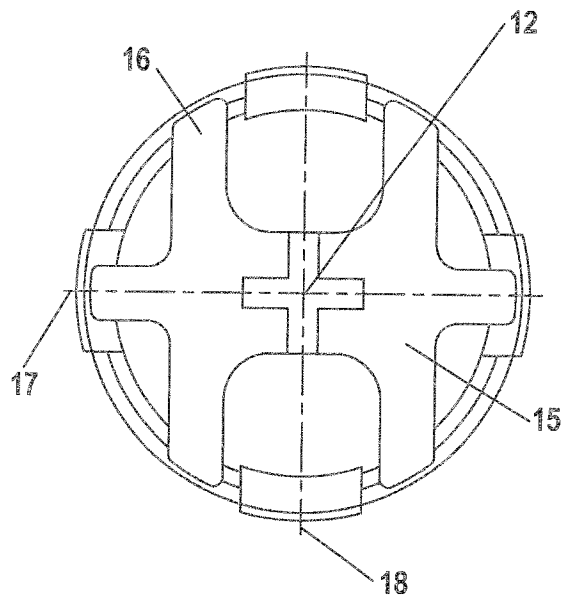


Fig. 5

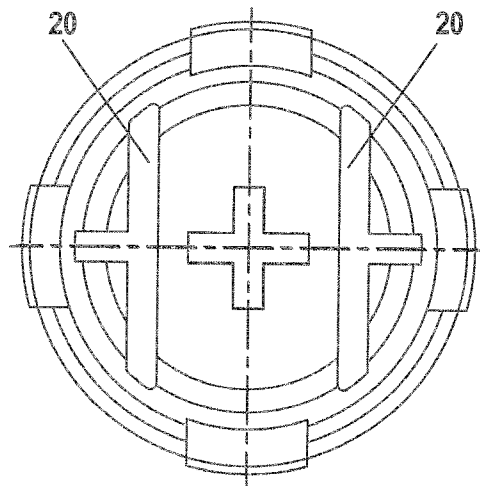


Fig. 6

INTERNATIONAL SEARCH REPORT

International application No.

PCT/CN2012/087908

A. CLASSIFICATION OF SUBJECT MATTER

See the extra sheet

According to International Patent Classification (IPC) or to both national classification and IPC

B. FIELDS SEARCHED

Minimum documentation searched (classification system followed by classification symbols)

IPC: A61M

Documentation searched other than minimum documentation to the extent that such documents are included in the fields searched

Electronic data base consulted during the international search (name of data base and, where practicable, search terms used)

CNABS,CNKI,VEN: elastic+, flex+, resilience, deform+, distort+, bend+, disposable

C. DOCUMENTS CONSIDERED TO BE RELEVANT

Category*	Citation of document, with indication, where appropriate, of the relevant passages	Relevant to claim No.
PX	CN202569095U (SHANGHAI SOL-MILLENNIUM INT TRADING CO) 05 Dec. 2012 (05.12.2012) paragraphs [0014]-[0023] in the description and figures 1-6	1-20
X	CN101862490A (WENLING SOL MILLENNIUM MEDICAL PROD CO LTD) 20 Oct. 2010 (20.10.2010) paragraphs [0003]-[0031] in the description and figures 1-13	11-12, 14-16,18-19
Y		13, 17-20
Y	CN1961982A (LEE Y) 16 May 2007 (16.05.2007) description, page 3, the last paragraph to page 5, the last paragraph and figures 1-2	13, 17-20
A	CN101743027A (B BLAU MELSUNGEN CO LTD) 16 Jun. 2010 (16.06.2010) the whole document	1-20
A	US2005107747A1 (LIFE-SHIELD PRODUCTS, INC.) 19 May 2005 (19.05.2005) the whole document	1-20

Further documents are listed in the continuation of Box C.

See patent family annex.

<p>* Special categories of cited documents:</p> <p>“A” document defining the general state of the art which is not considered to be of particular relevance</p> <p>“E” earlier application or patent but published on or after the international filing date</p> <p>“L” document which may throw doubts on priority claim (S) or which is cited to establish the publication date of another citation or other special reason (as specified)</p> <p>“O” document referring to an oral disclosure, use, exhibition or other means</p> <p>“P” document published prior to the international filing date but later than the priority date claimed</p>	<p>“T” later document published after the international filing date or priority date and not in conflict with the application but cited to understand the principle or theory underlying the invention</p> <p>“X” document of particular relevance; the claimed invention cannot be considered novel or cannot be considered to involve an inventive step when the document is taken alone</p> <p>“Y” document of particular relevance; the claimed invention cannot be considered to involve an inventive step when the document is combined with one or more other such documents, such combination being obvious to a person skilled in the art</p> <p>“&” document member of the same patent family</p>
--	---

Date of the actual completion of the international search 22 Mar. 2013 (22.03.2013)	Date of mailing of the international search report 04 Apr. 2013 (04.04.2013)
--	--

<p>Name and mailing address of the ISA/CN The State Intellectual Property Office, the P.R.China 6 Xitucheng Rd., Jimen Bridge, Haidian District, Beijing, China 100088 Facsimile No. (86-10)62019451</p>	<p>Authorized officer WEI, Na Telephone No. (86-10)62085616</p>
--	---

INTERNATIONAL SEARCH REPORT

International application No.

PCT/CN2012/087908

C (Continuation). DOCUMENTS CONSIDERED TO BE RELEVANT		
Category*	Citation of document, with indication, where appropriate, of the relevant passages	Relevant to claim No.
A	US2007073223A1 (Huang) 29 Mar. 2007 (29.03.2007) the whole document	1-20

INTERNATIONAL SEARCH REPORT
Information on patent family members

International application No.
PCT/CN2012/087908

Patent Documents referred in the Report	Publication Date	Patent Family	Publication Date
CN202569095U	05.12.2012	None	
CN101862490A	20.10.2010	CN101862490B	11.07.2012
		WO2011160364A1	29.12.2011
		CA2804299A	29.12.2011
		AU2010355916A	14.02.2013
CN1961982A	16.05.2007	None	
CN101743027A	16.06.2010	DE202007005394U1	13.09.2007
		WO2008128157A2	23.10.2008
		TW200902111A	16.01.2009
		AU2008240105A1	23.10.2008
		INDELNP200906222E	21.05.2010
		DE112008000955T5	08.07.2010
		US2010179487A1	15.07.2010
		JP2010535536A	25.11.2010
US2005107747A1	19.05.2005	EP1421963A1	26.05.2004
		US2004102737A1	27.05.2004
		US2004153035A1	05.08.2004
		US7364569B2	29.04.2008
		EP1550476A1	06.07.2005
US2007073223A1	29.03.2007	None	

INTERNATIONAL SEARCH REPORT

International application No.

PCT/CN2012/087908

CLASSIFICATION OF SUBJECT MATTER

A61M 5/315 (2006.01) i

A61M 5/50 (2006.01) i