



US00D408751S

# United States Patent [19]

[11] Patent Number: **Des. 408,751**

**Fiotakis et al.**

[45] Date of Patent: **\*\* Apr. 27, 1999**

[54] **BUOY**

[75] Inventors: **John Michael Fiotakis**, Sandy Bay;  
**Dario Tomat**, Mount Nelson; **Rob J Allen**,  
 Nowrah; **Alan Smith**, Berriedale,  
 all of Australia

[73] Assignee: **Fiomarine Investments Pty. Ltd.**,  
 Tasmania, Australia

D. 252,382	7/1979	Hutmacher .....	D10/107
1,183,663	5/1916	Murray .....	441/6
2,977,608	4/1961	Brown, Sr. et al. ....	441/6
3,653,085	4/1972	Rovner .....	441/6
4,501,563	2/1985	Johnson et al. ....	441/6
4,544,364	10/1985	Bankston .....	441/6
4,601,126	7/1986	Klocksien .....	441/6
5,073,135	12/1991	Parks .....	441/6
5,613,888	3/1997	Zamphere .....	441/6

[\*\*] Term: **14 Years**

*Primary Examiner*—Marcus A. Jackson  
*Attorney, Agent, or Firm*—Ladas & Parry

[21] Appl. No.: **29/076,969**

### [57] CLAIM

[22] Filed: **Sep. 19, 1997**

The ornamental design for a buoy, as shown and described.

### [30] Foreign Application Priority Data

### DESCRIPTION

Mar. 21, 1997 [AU] Australia ..... 933/97

[51] **LOC (6) Cl.** ..... **10-05**

[52] **U.S. Cl.** ..... **D10/107**

[58] **Field of Search** ..... D10/104, 107,  
D10/109, 121; 441/1-34

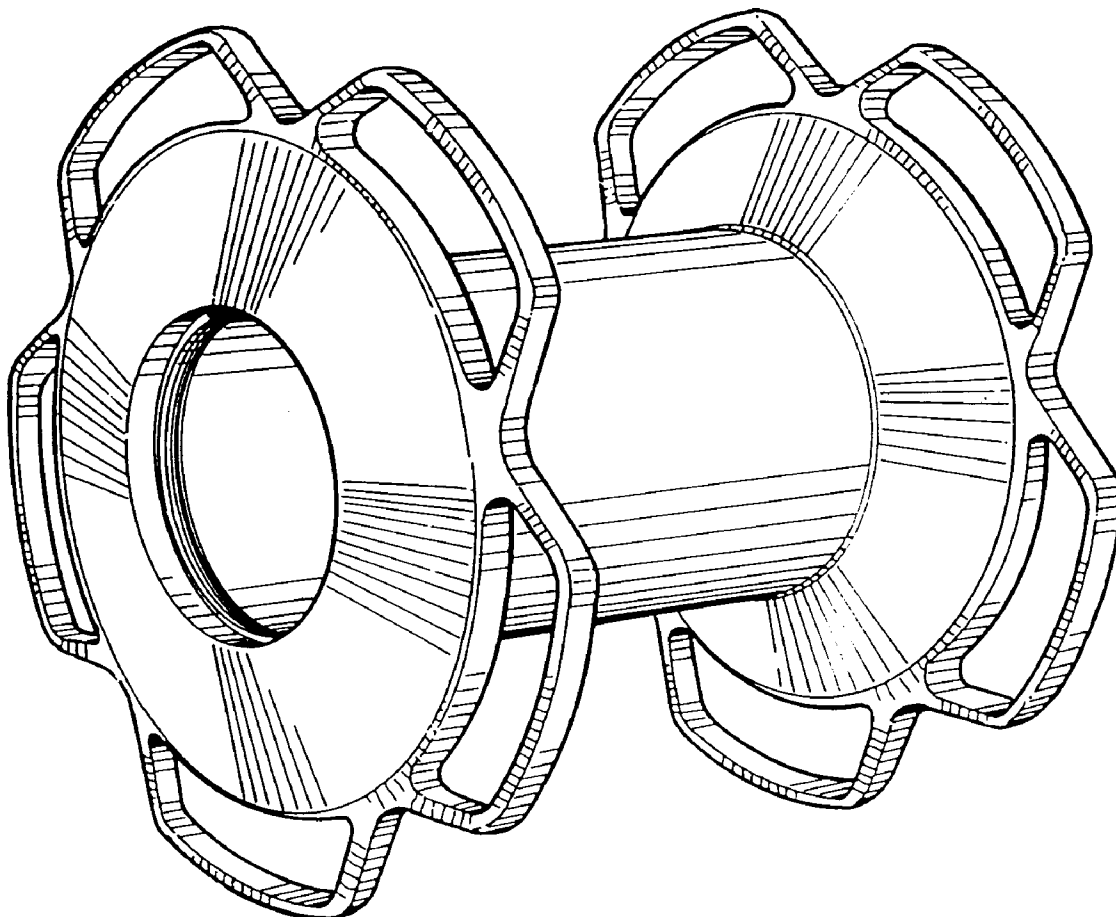
FIG. 1 is a perspective view of a “buoy” showing our new design;  
 FIG. 2 is a plan view thereof;  
 FIG. 3 is a front view thereof;  
 FIG. 4 is a rear view thereof;  
 FIG. 5 is an inverted plan view thereof; and,  
 FIG. 6 is a left side elevational view thereof, with the opposite side being a mirror image.

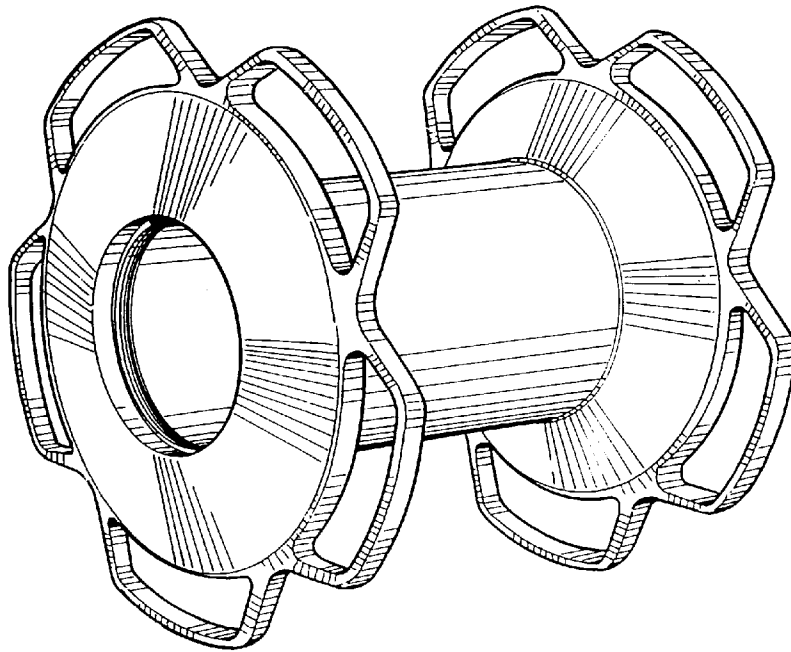
### [56] References Cited

#### U.S. PATENT DOCUMENTS

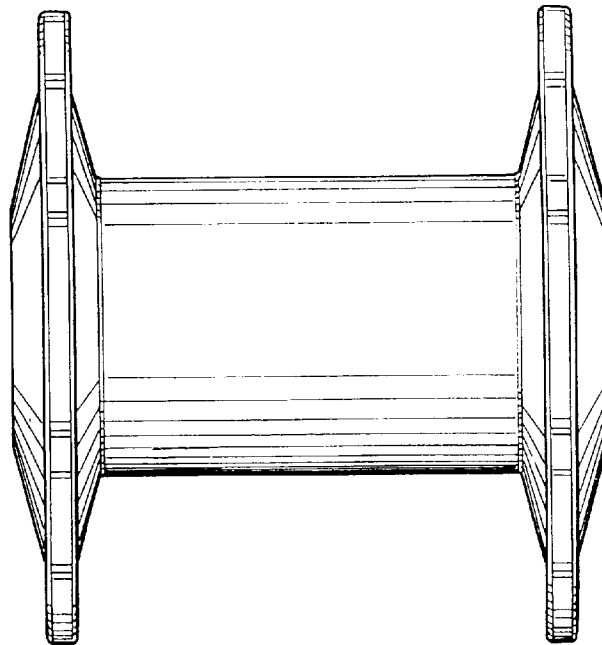
D. 231,405 4/1974 Franks ..... D10/107

**1 Claim, 3 Drawing Sheets**

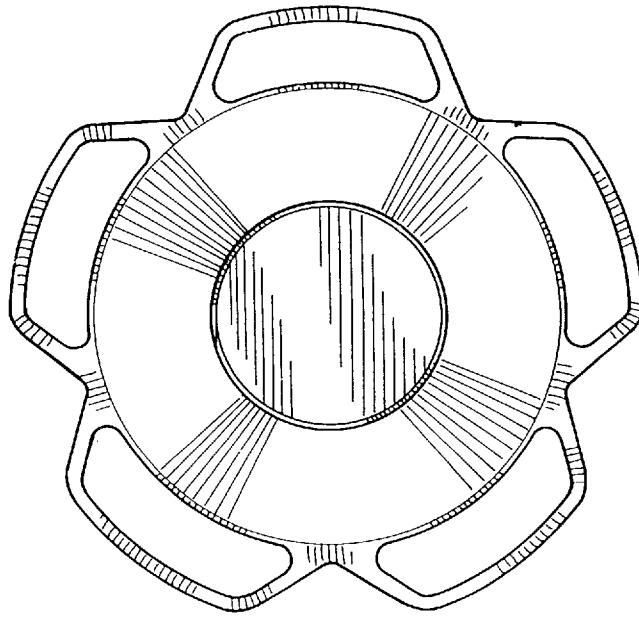




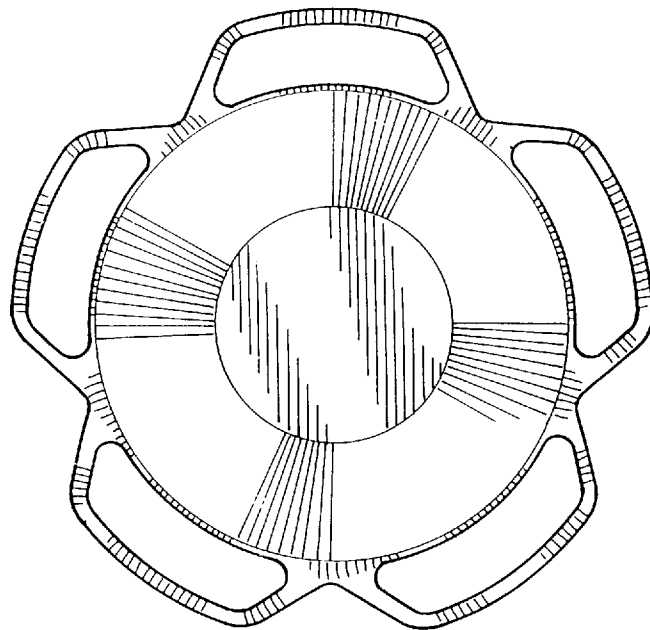
*FIG. 1*



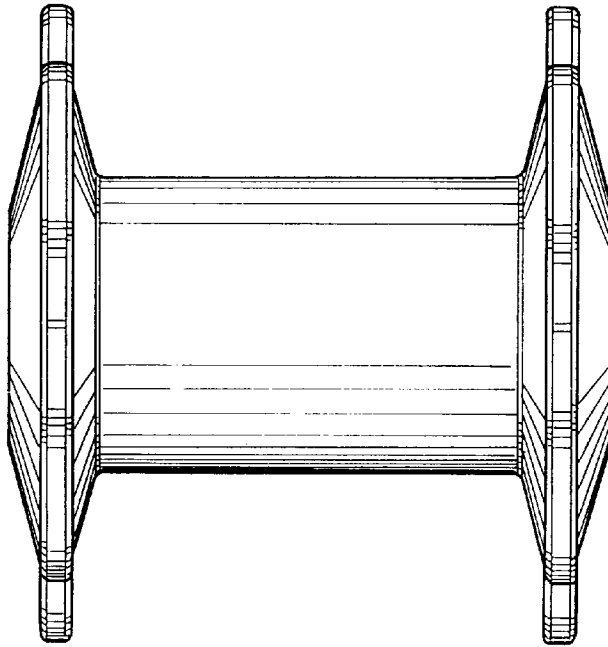
*FIG. 2*



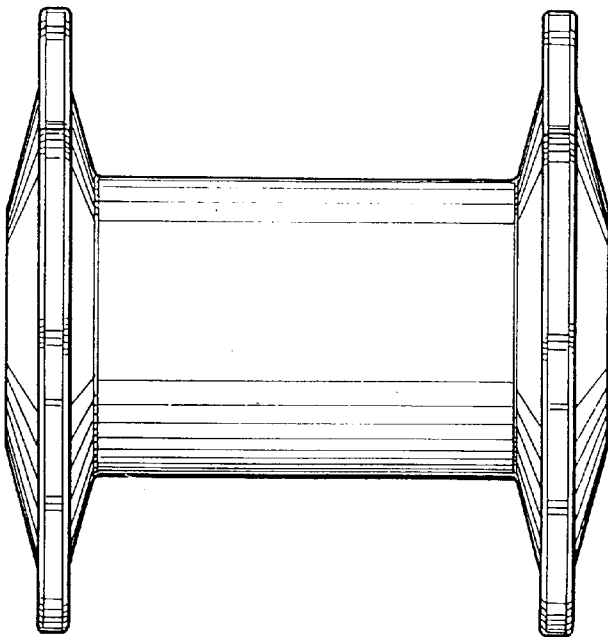
*FIG. 3*



*FIG. 4*



*FIG. 5*



*FIG. 6*