



(12) **United States Design Patent**
Zorovich et al.

(10) **Patent No.:** **US D655,147 S**
(45) **Date of Patent:** **** Mar. 6, 2012**

- (54) **REMOVAL TOOL**
- (75) Inventors: **Kenneth D. Zorovich**, Hoboken, NJ (US); **Yos Kumthampinij**, Edgewater, NJ (US); **John C. Earle**, Annapolis, MD (US)
- (73) Assignee: **Propeller, Inc.** NJ (US)
- (**) Term: **14 Years**
- (21) Appl. No.: **29/391,964**
- (22) Filed: **May 16, 2011**

Related U.S. Application Data

- (63) Continuation-in-part of application No. 29/361,010, filed on May 4, 2010, now Pat. No. Des. 640,120, which is a continuation of application No. 12/321,237, filed on Jan. 16, 2009.
- (51) **LOC (9) Cl.** **08-05**
- (52) **U.S. Cl.** **D8/107**
- (58) **Field of Classification Search** D8/107, D8/14, 83, 300, 303, 307, 310, 352, 499; D1/105, 199; D7/393, 672; D12/179; D15/90; D23/238, 242; 16/110.1, 111.1, 414, 415, 16/417, 433, 441; 62/356; 249/91, 92, 93; 425/117, 118, 124, 126.2, 436 R
See application file for complete search history.

References Cited

- (56) **U.S. PATENT DOCUMENTS**
- D80,291 S 1/1930 Sherman
- 2,068,922 A 1/1937 Marchand
- D104,502 S 5/1937 Overmyer
- D123,262 S 10/1940 Foster
- 2,288,004 A 6/1942 Stemme
- D166,874 S 5/1952 Reed
- 2,946,207 A 7/1960 Hulterstrum
- D199,924 S * 12/1964 Schlage D8/310
- D201,622 S 7/1965 Boldt

- D208,918 S 10/1967 Dole, Jr.
- D209,145 S 11/1967 Hampel
- D211,324 S 6/1968 Kirk
- D221,060 S 7/1971 Townsend
- D225,204 S 11/1972 Kendrick
- 4,239,175 A 12/1980 Straubinger
- D260,478 S 9/1981 Belaiche
- 4,352,830 A 10/1982 Billett et al.
- D269,578 S 7/1983 Straubinger
- 4,392,803 A 7/1983 Cross et al.
- D271,464 S 11/1983 Carlson
- 4,488,460 A * 12/1984 Ballone et al. 81/60
- D334,828 S 4/1993 Kiyokane
- D336,946 S 6/1993 Levien
- D348,602 S 7/1994 Carsello
- 5,354,191 A 10/1994 Bobis
- D377,444 S 1/1997 Lin
- 5,669,104 A 9/1997 Howie, Jr.
- D386,062 S 11/1997 Quick
- D390,335 S 2/1998 Carrick et al.
- D393,583 S * 4/1998 Nagano D8/303
- 5,845,365 A 12/1998 Howie, Jr.
- D430,696 S 9/2000 Borders

(Continued)

Primary Examiner — Derrick Holland

(74) *Attorney, Agent, or Firm* — Greenberg Traurig, LLP

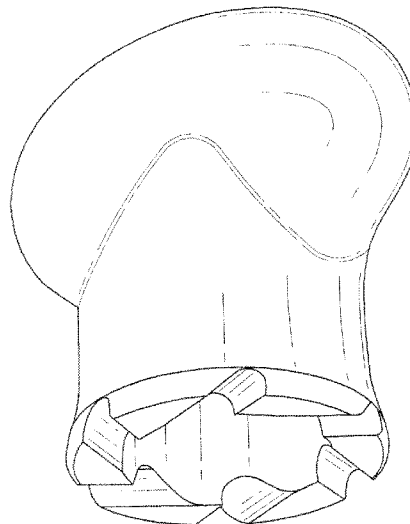
(57) **CLAIM**

The ornamental design for a removal tool, as shown and described.

DESCRIPTION

FIG. 1 is a bottom perspective view of a removal tool showing our new design;
 FIG. 2 is a left side elevational view thereof, the right side elevational view being identical to FIG. 2;
 FIG. 3 is a front elevational view thereof, the rear elevational view being identical to FIG. 3;
 FIG. 4 is a top plan view thereof; and,
 FIG. 5 is a bottom plan view thereof.
 The broken lines represent unclaimed subject matter and form no part of the claimed design.

1 Claim, 3 Drawing Sheets



US D655,147 S

Page 2

U.S. PATENT DOCUMENTS

6,190,226	B1	2/2001	Conconi				
D438,444	S	3/2001	Tor				
D467,488	S	* 12/2002	Su	D8/307			
D498,719	S	11/2004	Yao				
D522,840	S	6/2006	Haug et al.				
					D530,588	S	10/2006 Wang
					D543,088	S	5/2007 Ricereto
					D592,036	S	5/2009 Domin
					D640,120	S	6/2011 Zorovich et al.
					2010/0183789	A1	7/2010 Zorovich

* cited by examiner

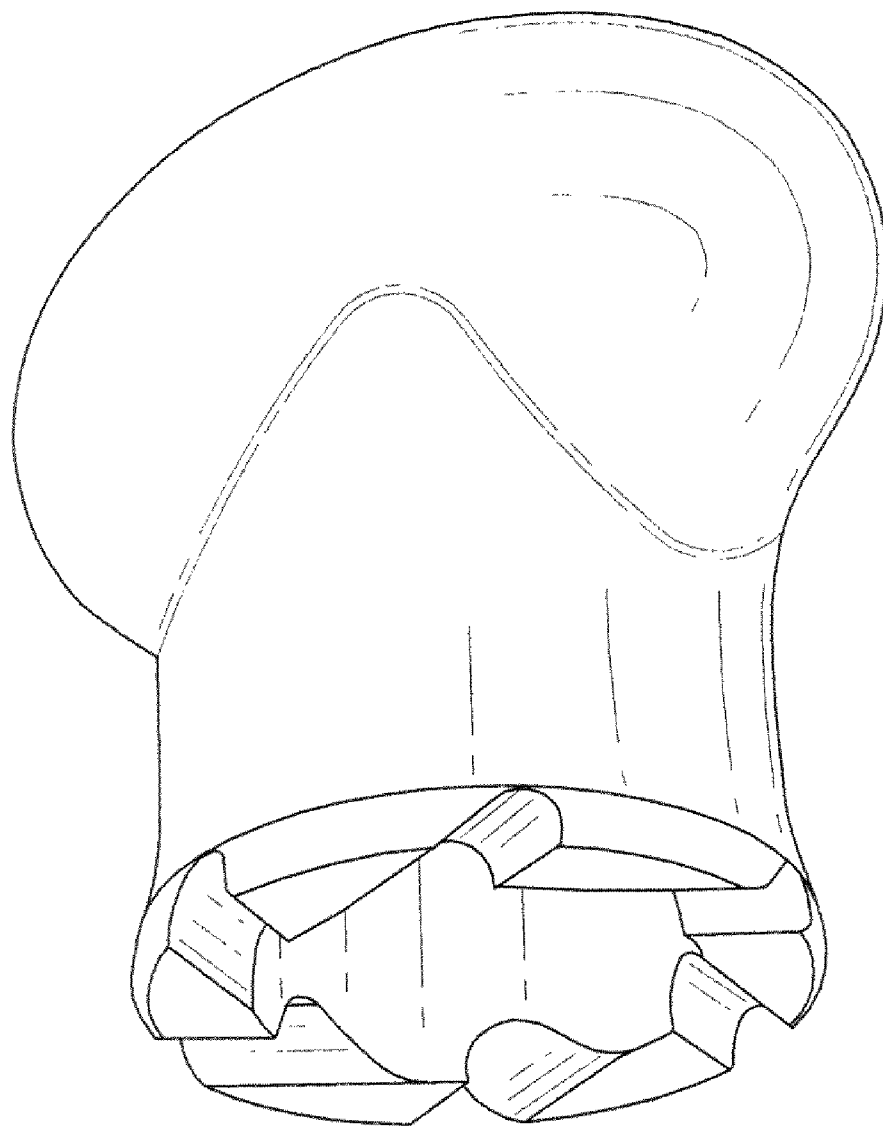


FIG. 1

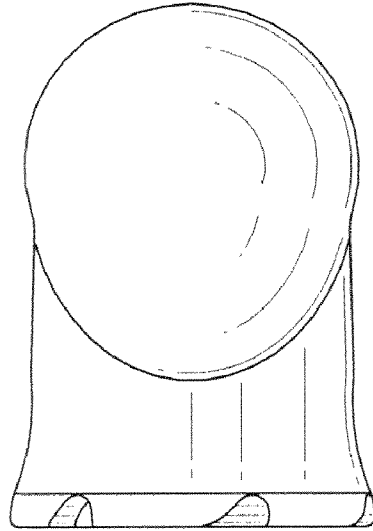


FIG. 2

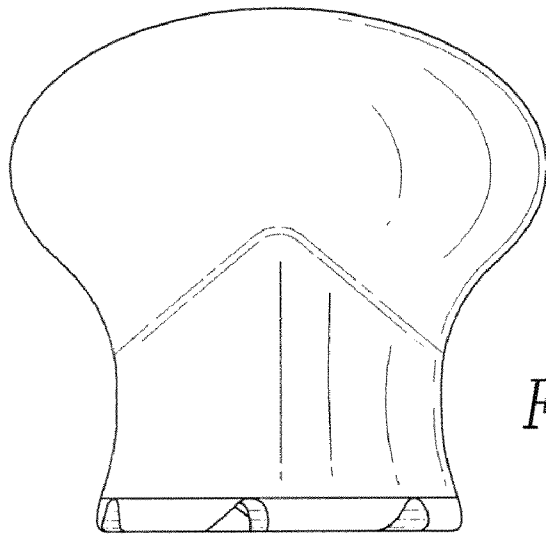


FIG. 3

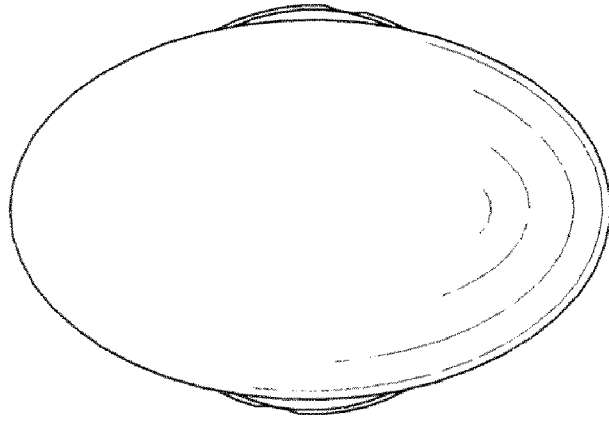


FIG. 4

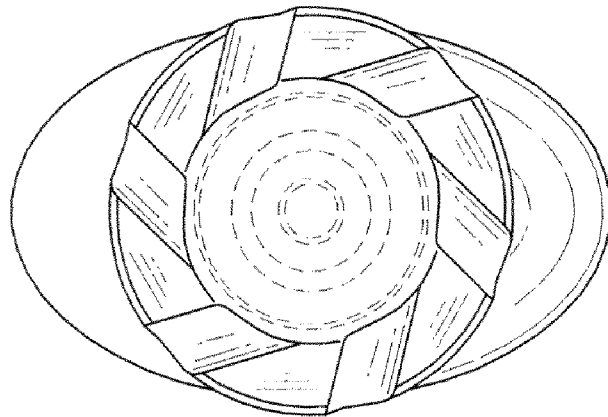


FIG. 5