



US00D788538S

(12) **United States Design Patent**
Vukkisila

(10) **Patent No.:** **US D788,538 S**

(45) **Date of Patent:** **** Jun. 6, 2017**

- (54) **PRESSED PALM LEAF DISH**
- (71) Applicant: **Suresh Vukkisila**, Folsom, CA (US)
- (72) Inventor: **Suresh Vukkisila**, Folsom, CA (US)
- (**) Term: **15 Years**
- (21) Appl. No.: **29/553,755**
- (22) Filed: **Feb. 4, 2016**
- (51) **LOC (10) Cl.** **07-01**
- (52) **U.S. Cl.**
USPC **D7/587**
- (58) **Field of Classification Search**
USPC D7/584, 500, 570, 566, 565, 557, 552.2,
D7/503, 538, 543, 553.6, 509, 510, 523,
D7/587; D3/306; 217/122; 147/18;
220/23.83, 574.1, 574
CPC A47G 19/02; A47G 19/025
See application file for complete search history.

Primary Examiner — Cynthia Underwood
(74) *Attorney, Agent, or Firm* — Heisler & Associates

(57) **CLAIM**

The ornamental design for a pressed palm leaf dish, as shown and described.

DESCRIPTION

FIG. 1 is a perspective view of the pressed palm leaf dish, according to a first embodiment;
 FIG. 2 is a top plan view of the first embodiment of the invention;
 FIG. 3 is a front elevation view of the first embodiment of the invention, the rear elevation view being a mirror image;
 FIG. 4 is a bottom plan view of the first embodiment of the invention;
 FIG. 5 is a right side view of the first embodiment of the invention, the left side view being a mirror image;
 FIG. 6 is a perspective view of the first embodiment of the invention in use with a cover thereon;
 FIG. 7 is a perspective view of the pressed palm leaf dish, according to a second embodiment;
 FIG. 8 is a top plan view of the second embodiment of the invention;
 FIG. 9 is a front elevation view of the second embodiment of the invention, the rear elevation view being a mirror image;
 FIG. 10 is a bottom plan view of the second embodiment of the invention;
 FIG. 11 is a right side view of the second embodiment of the invention, the left side view being a mirror image; and,
 FIG. 12 is a perspective view of the second embodiment of the invention in use with a cover thereon.
 The broken lines in the drawings represent unclaimed environmental subject matter and form no part of the claim.

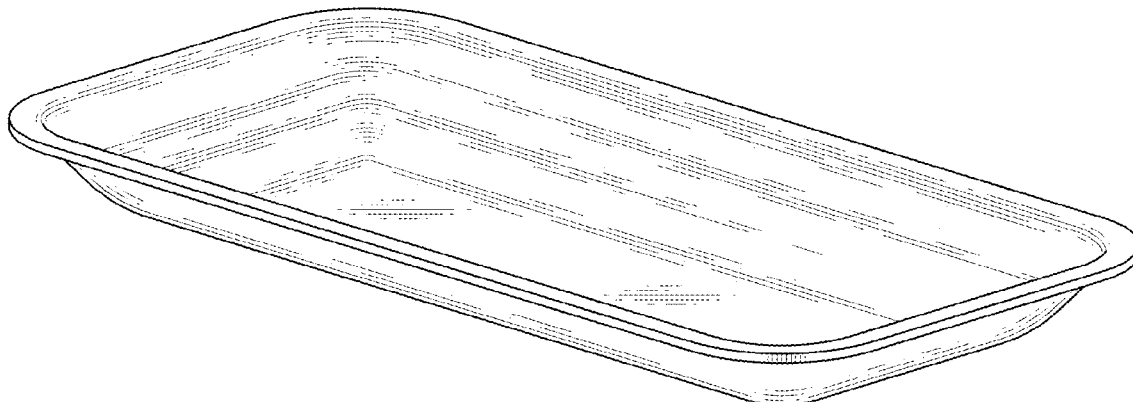
(56) **References Cited**

U.S. PATENT DOCUMENTS

| | | | | |
|----------------|---------|------------|-------|------------------------|
| D358,965 S * | 6/1995 | Meier | | D7/554.3 |
| D542,098 S * | 5/2007 | Wasserman | | D7/584 |
| D573,411 S * | 7/2008 | Lovett | | D7/554.3 |
| D575,586 S * | 8/2008 | Schosser | | D7/570 |
| D578,352 S * | 10/2008 | Hauser | | D7/552.2 |
| D608,595 S * | 1/2010 | Haas | | D7/587 |
| D651,037 S * | 12/2011 | Moodie | | D7/354 |
| D652,661 S * | 1/2012 | Lipfert | | D6/556 |
| D653,496 S * | 2/2012 | Henry | | D7/354 |
| D657,992 S * | 4/2012 | Moodie | | D7/354 |
| 8,146,766 B2 * | 4/2012 | Vovan | | B65D 43/021 220/212 |
| D667,151 S * | 9/2012 | Arslanian | | D26/9 |
| D670,136 S * | 11/2012 | Williams | | D7/584 |
| D676,704 S * | 2/2013 | Henry | | D7/354 |
| 8,365,912 B2 * | 2/2013 | Carroscia | | B65D 85/04 206/389 |
| D694,571 S * | 12/2013 | Norland | | D7/354 |
| D706,073 S * | 6/2014 | Beauregard | | D7/354 |

(Continued)

1 Claim, 4 Drawing Sheets



(56)

References Cited

U.S. PATENT DOCUMENTS

| | | | | |
|--------------|------|---------|-----------------------|----------------------|
| D718,981 | S * | 12/2014 | Katterheinrich | D7/550.1 |
| D722,526 | S * | 2/2015 | Forester | D11/155 |
| 8,997,992 | B2 * | 4/2015 | Van Puijenbroek | B65D 1/22 206/223 |
| D733,279 | S * | 6/2015 | Furner | D23/366 |
| D749,910 | S * | 2/2016 | Klag | D7/560 |
| 9,277,836 | B2 * | 3/2016 | Dalton | A47J 37/10 |
| 2010/0221144 | A1 * | 9/2010 | Bedson | A61L 9/12 422/4 |
| 2011/0203175 | A1 * | 8/2011 | Horito | A01C 5/02 47/65.6 |

* cited by examiner

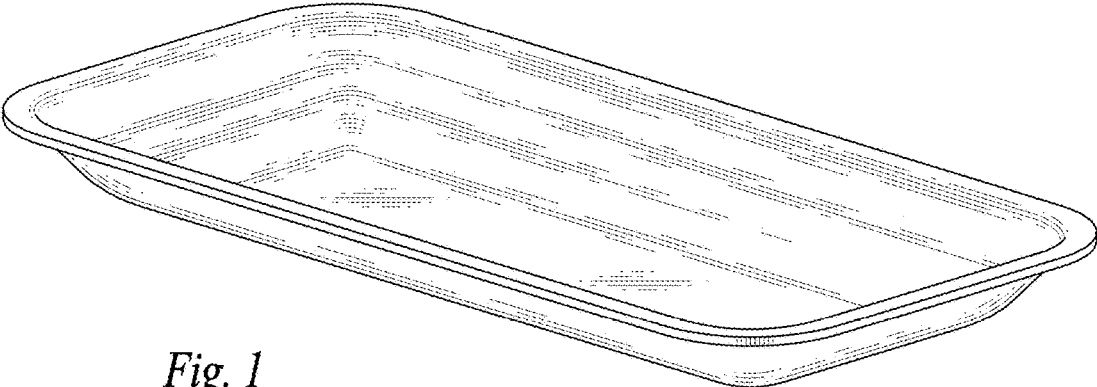


Fig. 1



Fig. 2

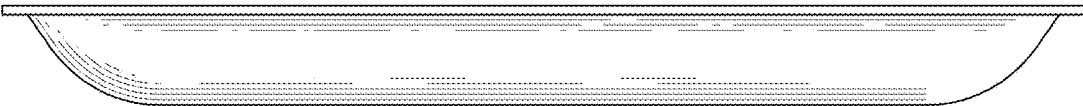


Fig. 3



Fig. 4

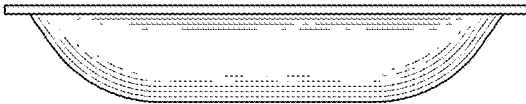


Fig. 5

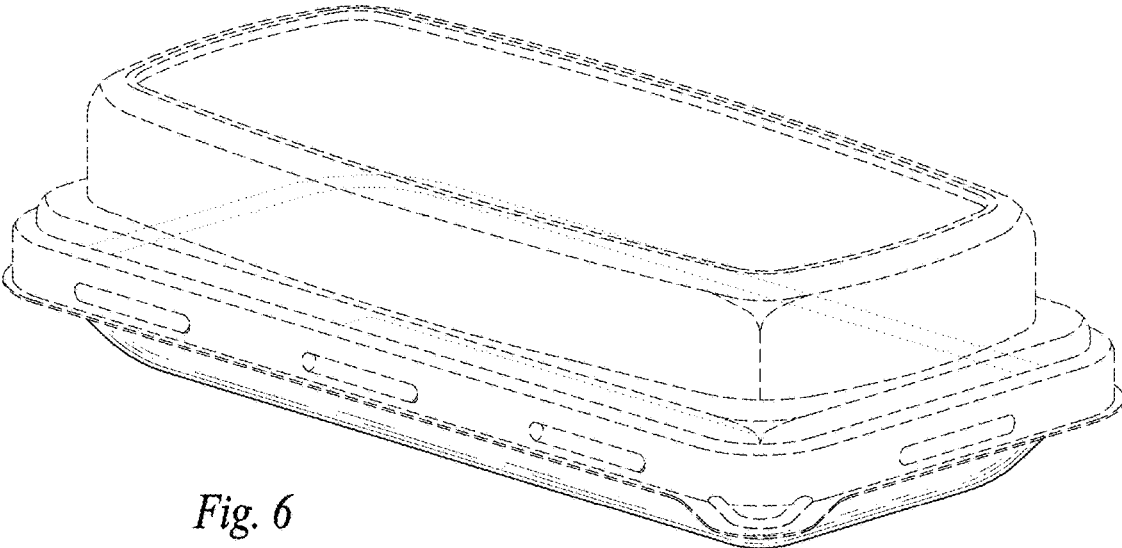


Fig. 6

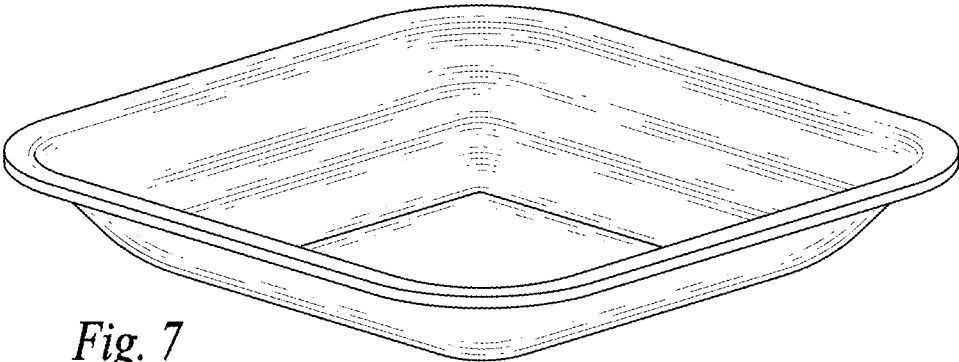


Fig. 7

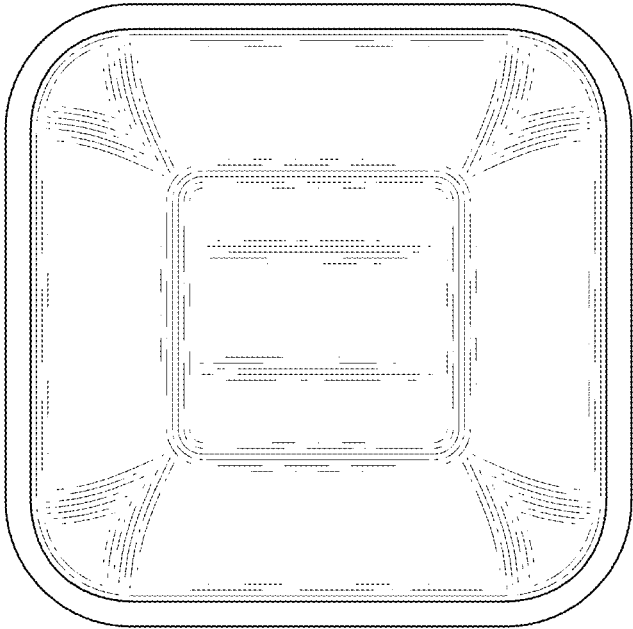


Fig. 8



Fig. 9

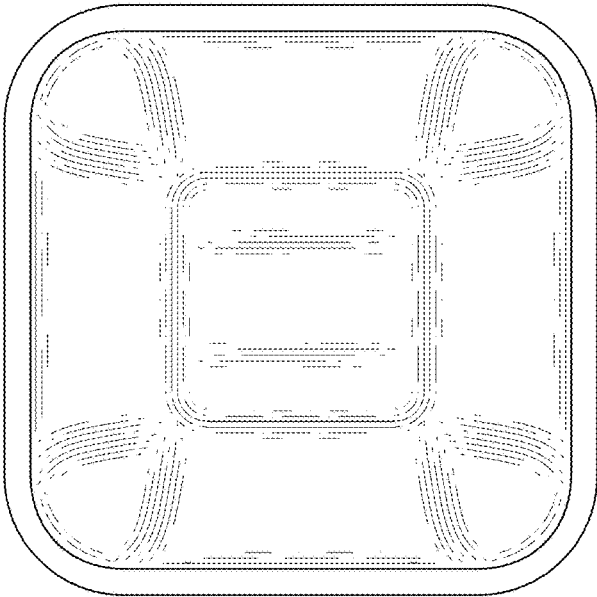


Fig. 10



Fig. 11

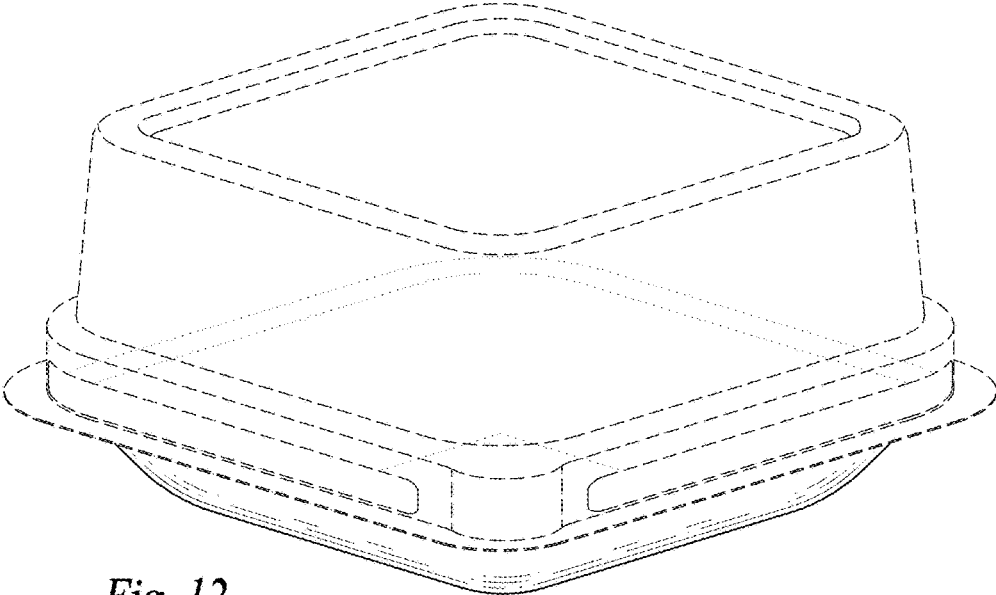


Fig. 12