



US0D1027679S

(12) **United States Design Patent**
Li

(10) **Patent No.:** **US D1,027,679 S**

(45) **Date of Patent:** **** May 21, 2024**

(54) **INFRARED THERMOMETER**
(71) Applicant: **Shenzhen Finicare Co., Ltd.**, Shenzhen (CN)
(72) Inventor: **Chao Li**, Shenzhen (CN)
(73) Assignee: **Shenzhen Finicare Co., Ltd.**, Shenzhen (CN)
(**) Term: **15 Years**

D949,028 S *	4/2022	Chen	D10/57
D950,402 S *	5/2022	Huang	D10/57
D963,491 S *	9/2022	Yi	D10/57
D963,492 S *	9/2022	Yi	D10/57
D964,187 S *	9/2022	Zhuang	D10/57
D971,754 S *	12/2022	Wang	D10/57
D974,195 S *	1/2023	Zhao	D10/57
D975,553 S *	1/2023	Yi	D10/57
D975,554 S *	1/2023	Li	D10/57
D977,344 S *	2/2023	Li	D10/57
D991,804 S *	7/2023	Chen	D10/57

* cited by examiner

(21) Appl. No.: **29/871,097**
(22) Filed: **Feb. 11, 2023**

Primary Examiner — George D. Kirschbaum
Assistant Examiner — Lillian Embrey
(74) *Attorney, Agent, or Firm* — Jeenam Park

(30) **Foreign Application Priority Data**

Dec. 12, 2022 (CN) 202230831709.1

(51) **LOC (14) Cl.** **10-04**
(52) **U.S. Cl.**
USPC **D10/57**

(58) **Field of Classification Search**
USPC D10/57, 60
CPC G01K 13/20; G01K 13/223
See application file for complete search history.

(56) **References Cited**

U.S. PATENT DOCUMENTS

D881,041 S *	4/2020	Luo	D10/57
D881,042 S *	4/2020	Luo	D10/57
D891,948 S *	8/2020	Chen	D10/57
D924,081 S *	7/2021	Li	D10/57
D926,604 S *	8/2021	Wang	D10/57

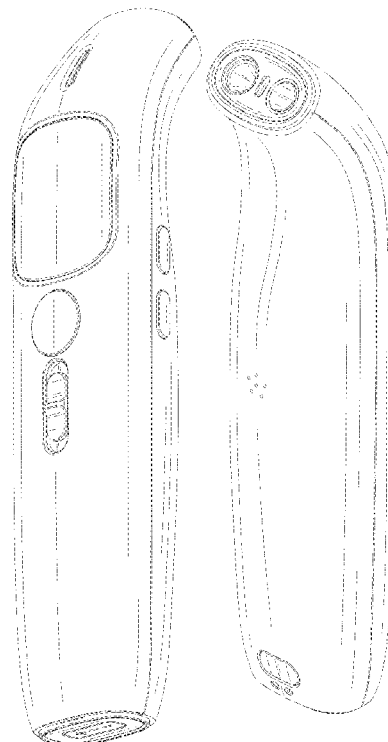
(57) **CLAIM**

The ornamental design for an infrared thermometer, as shown.

DESCRIPTION

FIG. 1 is a rear, left and bottom perspective view of an infrared thermometer, showing my new design;
FIG. 2 is a front, right and top perspective view thereof;
FIG. 3 is a front view thereof;
FIG. 4 is a rear view thereof;
FIG. 5 is a left side view thereof;
FIG. 6 is a right side view thereof;
FIG. 7 is an enlarged top plan view thereof; and,
FIG. 8 is an enlarged bottom plan view thereof.

1 Claim, 8 Drawing Sheets



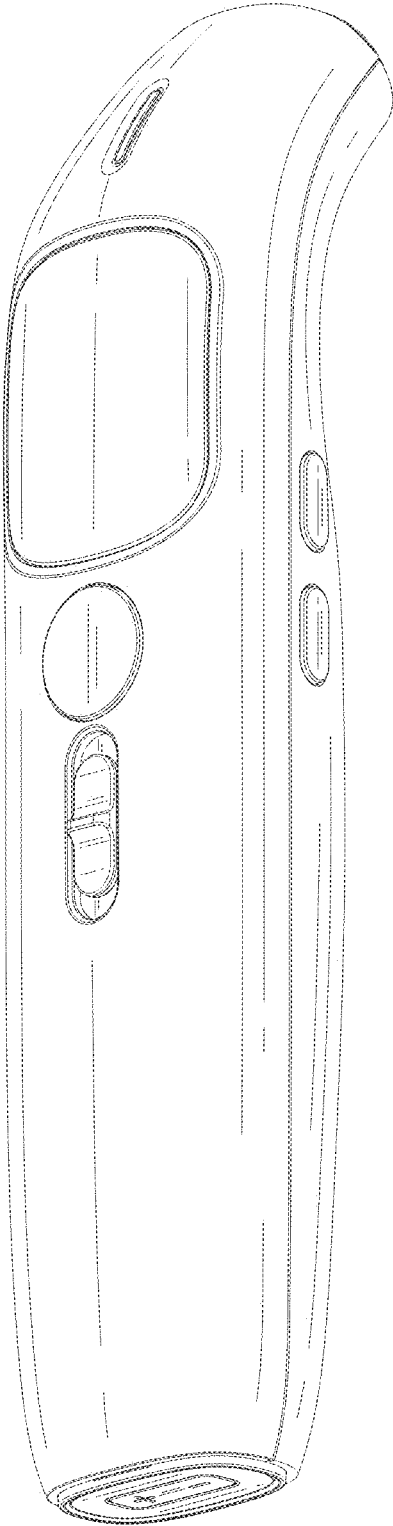


FIG. 1

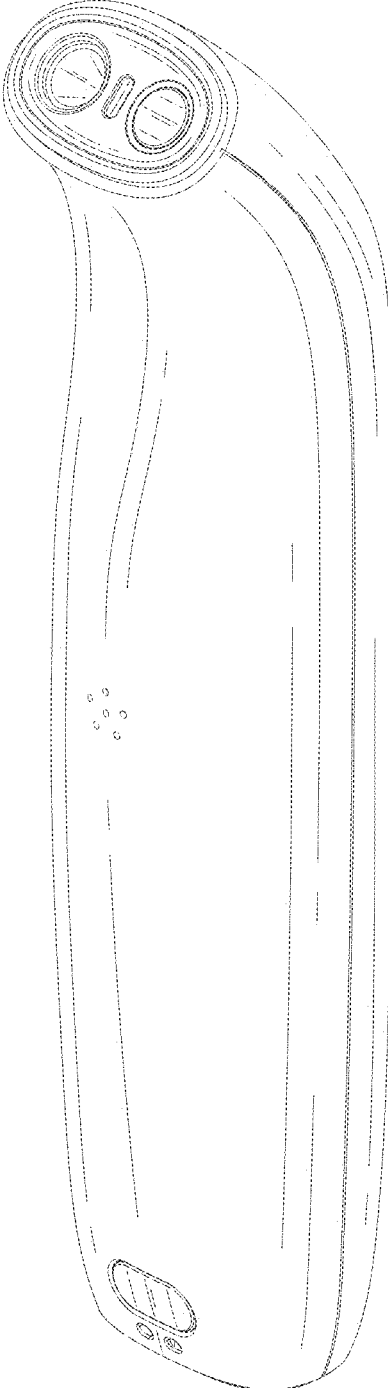


FIG. 2

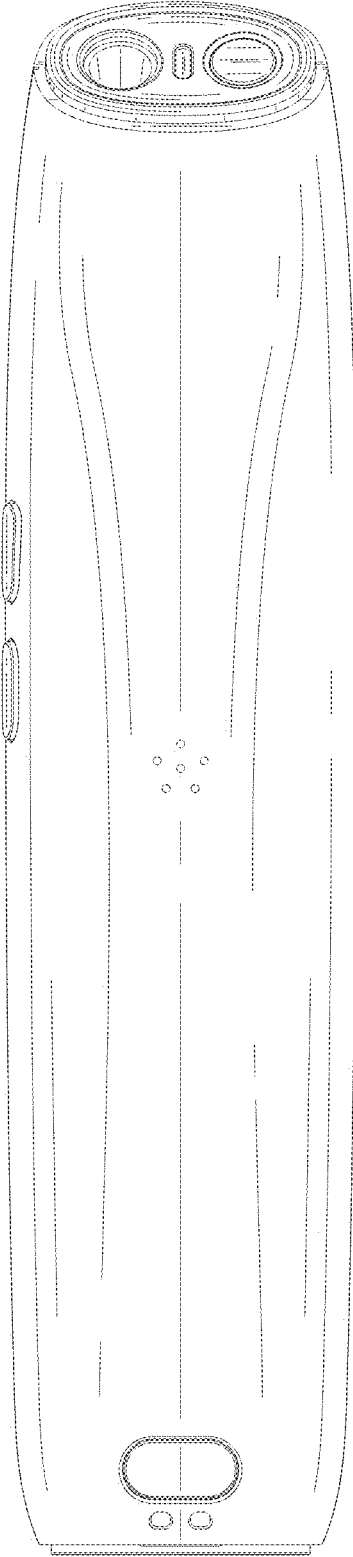


FIG. 3

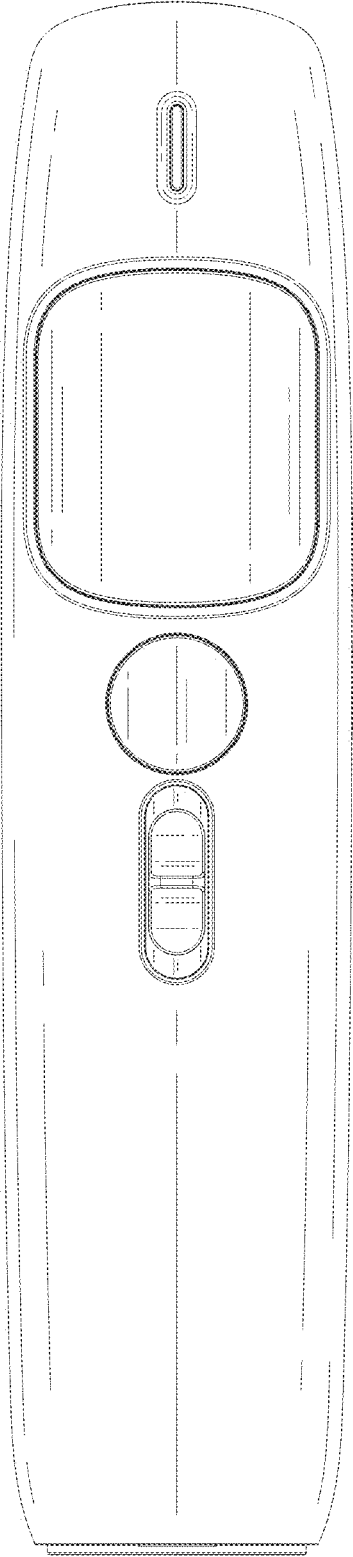


FIG. 4

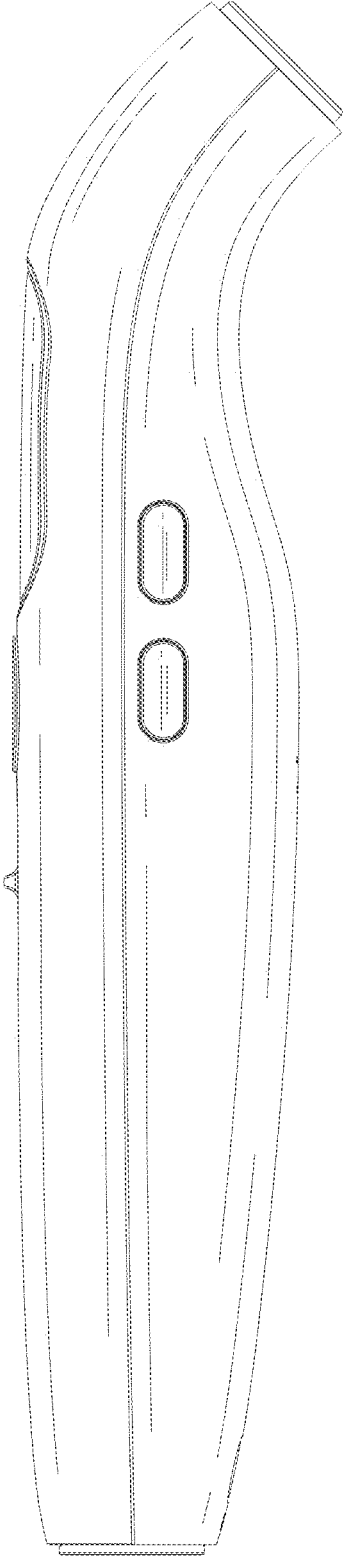


FIG. 5

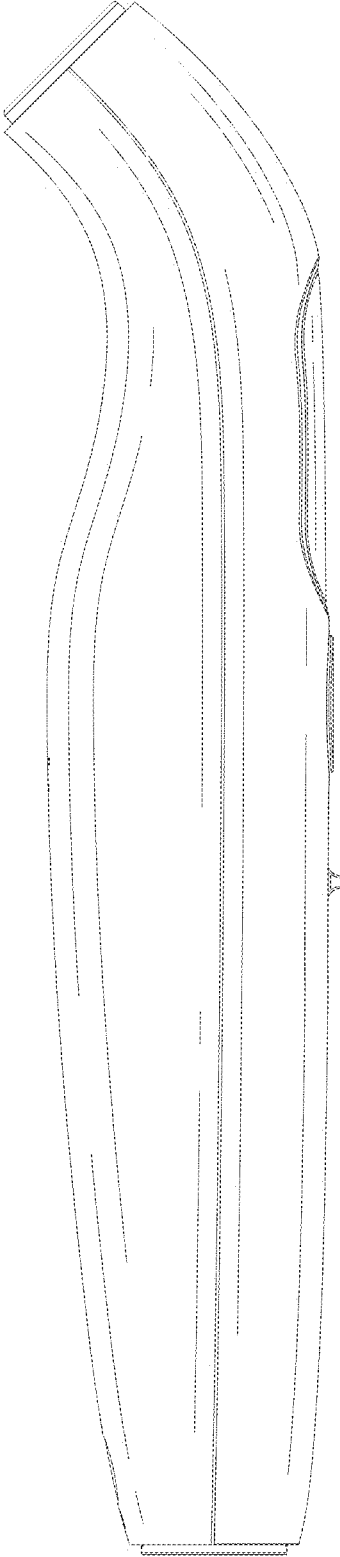


FIG. 6

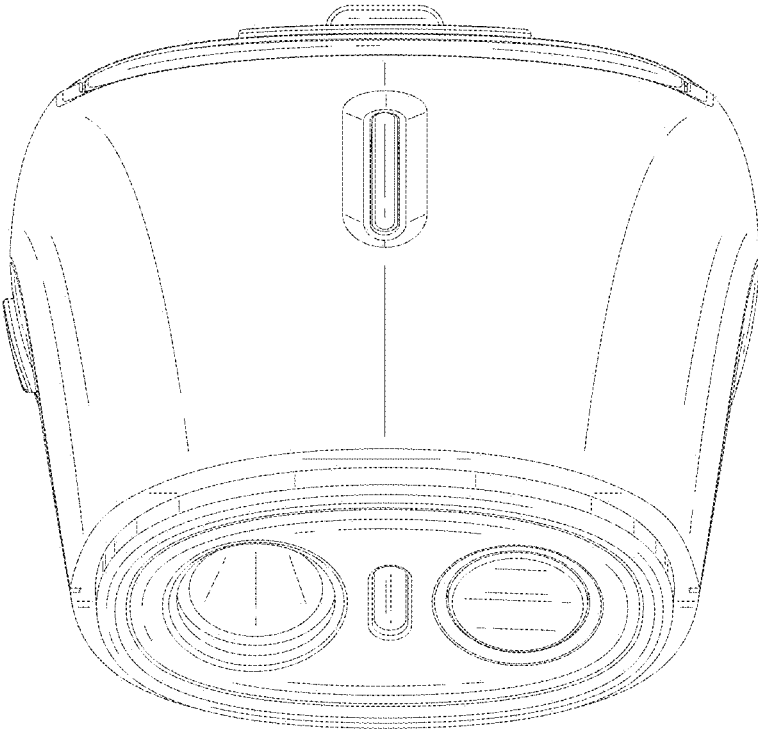


FIG. 7

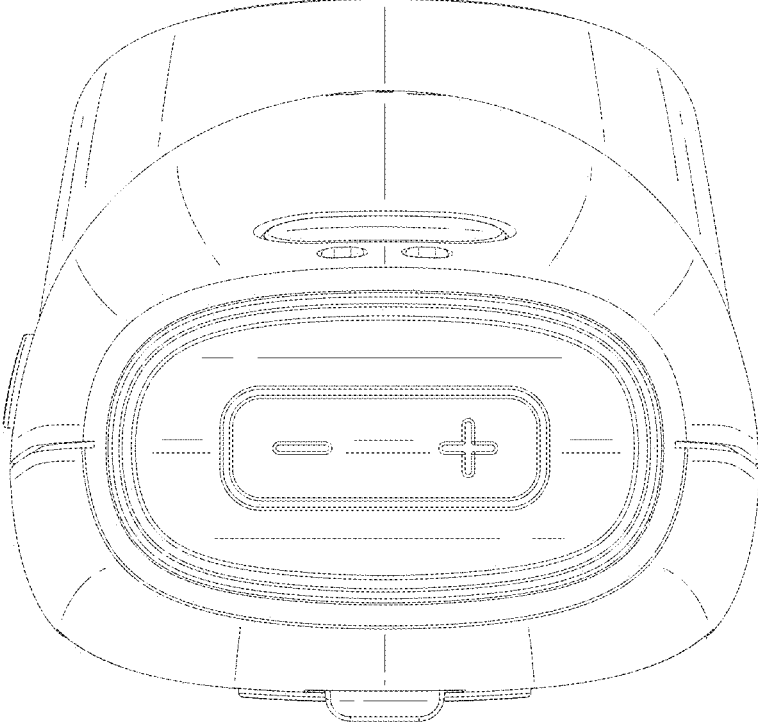


FIG. 8