



US00D355702S

United States Patent [19]
Johnson

[11] **Patent Number: Des. 355,702**
[45] **Date of Patent: ** Feb. 21, 1995**

[54] **FILTER FOR ATTACHMENT TO AN IN-EAR HEARING AID TO PREVENT THE MIGRATION OF EAR WAX INTO THE HEARING AID**

4,972,488 11/1990 Weiss et al. 381/68 X
5,166,659 11/1992 Navarro 381/68.6

[76] Inventor: **Ronald D. Johnson**, 719 24 $\frac{1}{2}$ Rd., Grand Junction, Colo. 81505

Primary Examiner—Wallace R. Burke
Assistant Examiner—M. H. Tung
Attorney, Agent, or Firm—Donald W. Erickson

[**] Term: **14 Years**

[57] **CLAIM**

[21] Appl. No.: **3,114**

The ornamental design for a filter for attachment to an in-ear hearing aid to prevent the migration of ear wax into the hearing aid, as shown and described.

[22] Filed: **Dec. 28, 1992**

DESCRIPTION

Related U.S. Application Data

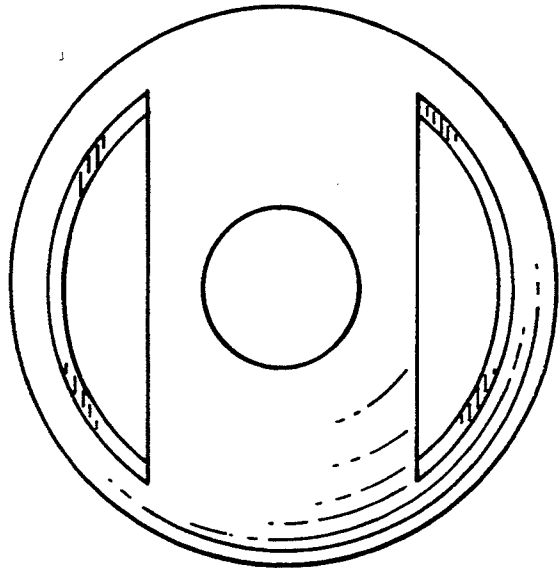
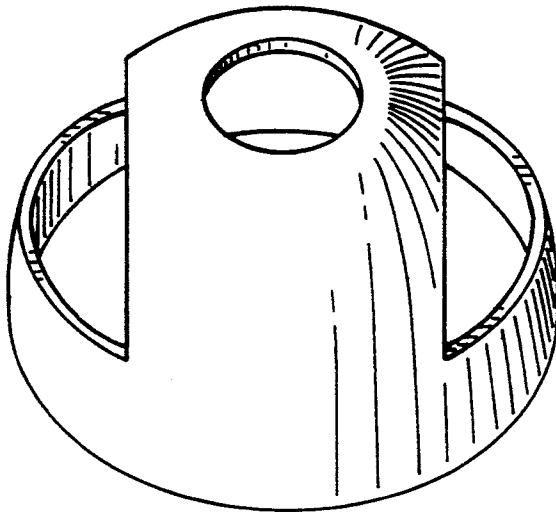
- [63] Continuation-in-part of Ser. No. 708,060, May 30, 1991, abandoned.
- [52] U.S. Cl. **D23/209; D24/174**
- [58] Field of Search **D23/207-210; 381/68, 68.6, 69, 69.1, 69.2, 68.7, 187; 181/130, 135; D24/106, 173-174**

FIG. 1 is a side perspective view of a filter for attachment to an in-ear hearing aid to prevent the migration of ear wax into the hearing aid showing my new design;
 FIG. 2 is a top plan view thereof;
 FIG. 3 is a side elevational view thereof, the opposite side is identical;
 FIG. 4 is a bottom plan view thereof;
 FIG. 5 is a top plan view of a second embodiment thereof;
 FIG. 6 is a bottom plan view of the embodiment of FIG. 5; and,
 FIG. 7 is a side elevational view of the embodiment of FIG. 5, the opposite side, front and rear views are all identical.

References Cited

U.S. PATENT DOCUMENTS

- D. 267,429 12/1982 Marada D24/174
- 4,553,627 11/1985 Gastmeier et al. 381/68.6 X
- 4,945,569 7/1990 Kulman 381/68 X



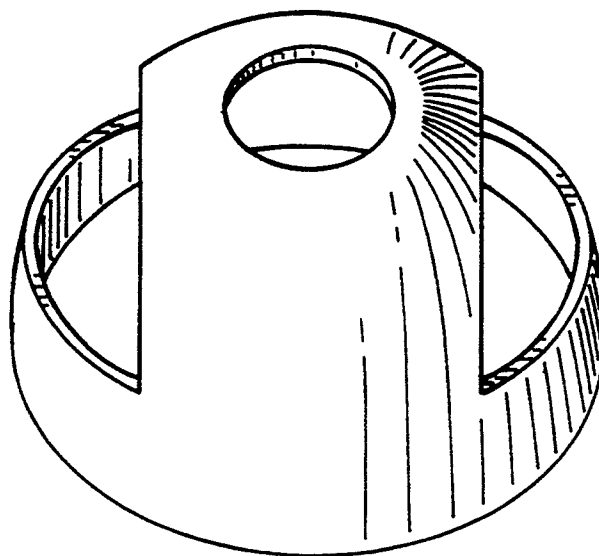


FIG. 1

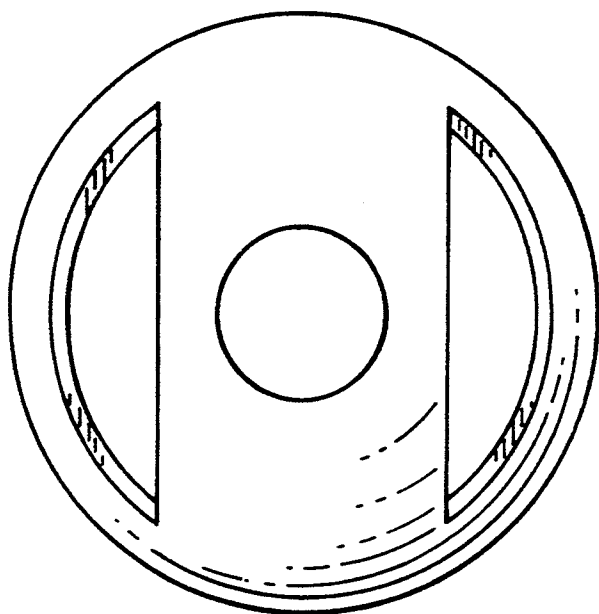


FIG. 2

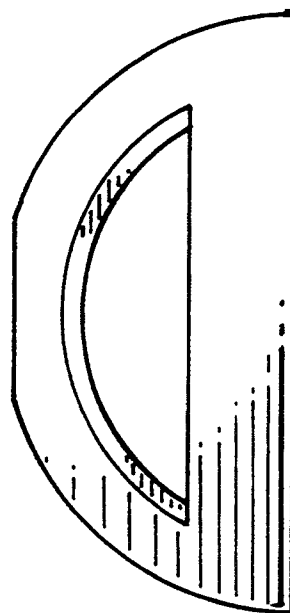


FIG. 3

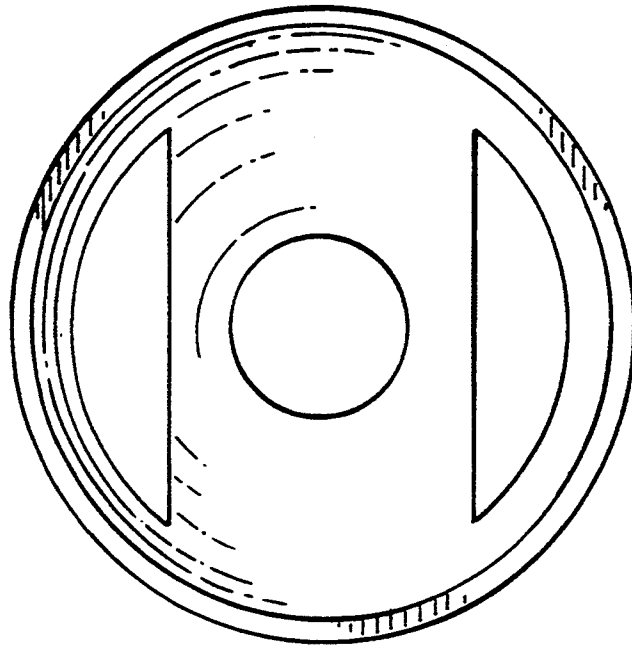


FIG. 4

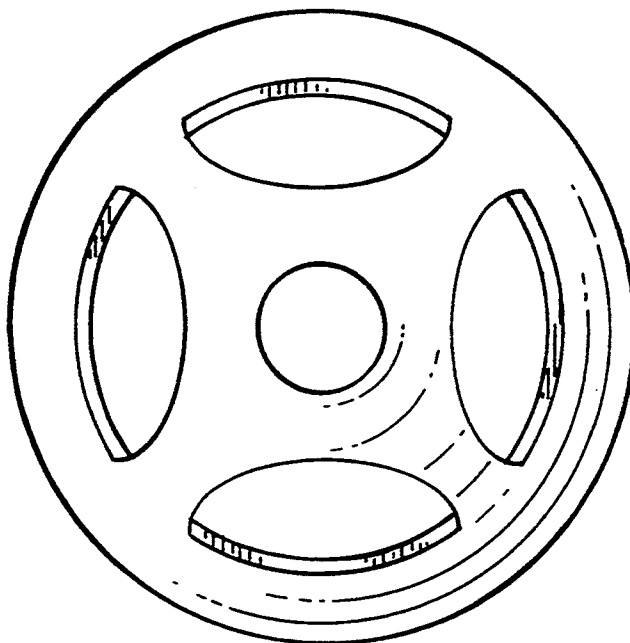


FIG. 5

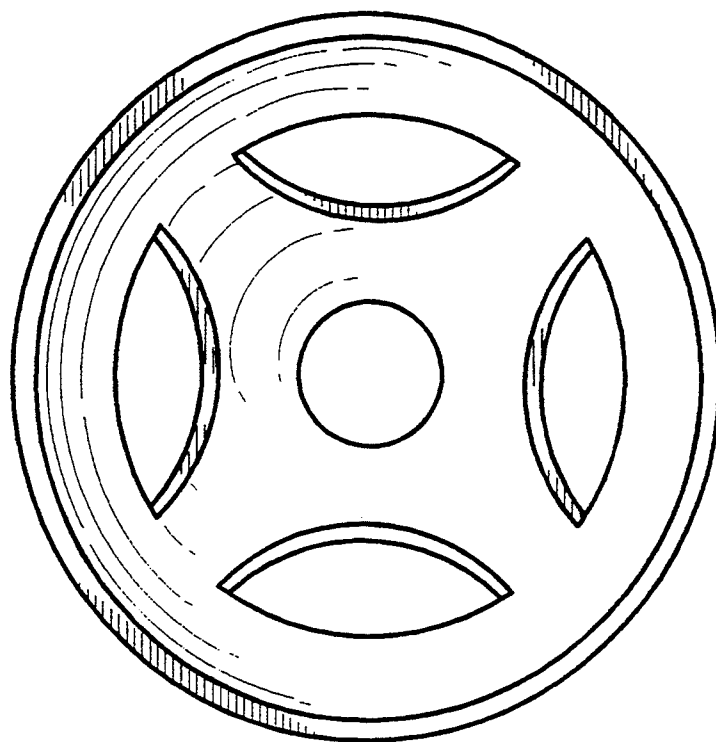


FIG. 6

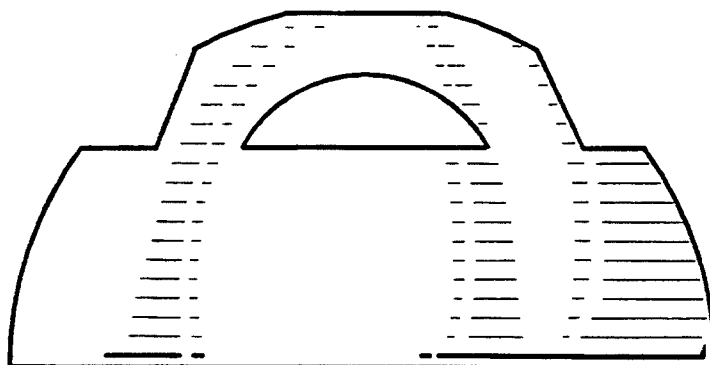


FIG. 7