



(51) International Patent Classification:

*B65D 65/46* (2006.01)      *B65D 77/04* (2006.01)  
*B65D 75/38* (2006.01)      *B65D 81/20* (2006.01)  
*B65D 75/58* (2006.01)

(21) International Application Number:

PCT/US2015/036114

(22) International Filing Date:

17 June 2015 (17.06.2015)

(25) Filing Language:

English

(26) Publication Language:

English

(30) Priority Data:

62/015,053      20 June 2014 (20.06.2014)      US

(71) Applicant: **ARCH CHEMICALS, INC.** [US/US]; 90 Boroline Road, Allendale, NJ 07401 (US).

(72) Inventors: **SIMONSEN, Fred**; 90 Boroline Road, Allendale, NJ 07401 (US). **BOYD, Karen**; 90 Boroline Road, Allendale, NJ 07401 (US). **PUETZ, John**; 90 Boroline Road, Allendale, NJ 07401 (US).

(74) Agent: **CASSIDY, Timothy, A.**; Dority & Manning, P.A., P.O. Box 1449, Greenville, SC 29602-1449 (US).

(81) Designated States (unless otherwise indicated, for every kind of national protection available): AE, AG, AL, AM, AO, AT, AU, AZ, BA, BB, BG, BH, BN, BR, BW, BY, BZ, CA, CH, CL, CN, CO, CR, CU, CZ, DE, DK, DM, DO, DZ, EC, EE, EG, ES, FI, GB, GD, GE, GH, GM, GT, HN, HR, HU, ID, IL, IN, IR, IS, JP, KE, KG, KN, KP, KR, KZ, LA, LC, LK, LR, LS, LU, LY, MA, MD, ME, MG, MK, MN, MW, MX, MY, MZ, NA, NG, NI, NO, NZ, OM, PA, PE, PG, PH, PL, PT, QA, RO, RS, RU, RW, SA, SC, SD, SE, SG, SK, SL, SM, ST, SV, SY, TH, TJ, TM, TN, TR, TT, TZ, UA, UG, US, UZ, VC, VN, ZA, ZM, ZW.

(84) Designated States (unless otherwise indicated, for every kind of regional protection available): ARIPO (BW, GH, GM, KE, LR, LS, MW, MZ, NA, RW, SD, SL, ST, SZ, TZ, UG, ZM, ZW), Eurasian (AM, AZ, BY, KG, KZ, RU, TJ, TM), European (AL, AT, BE, BG, CH, CY, CZ, DE, DK, EE, ES, FI, FR, GB, GR, HR, HU, IE, IS, IT, LT, LU, LV, MC, MK, MT, NL, NO, PL, PT, RO, RS, SE, SI, SK, SM, TR), OAPI (BF, BJ, CF, CG, CI, CM, GA, GN, GQ, GW, KM, ML, MR, NE, SN, TD, TG).

Published:

— with international search report (Art. 21(3))

[Continued on next page]

(54) Title: PACKAGE SYSTEM FOR PACKAGING AND ADMINISTERING CONTROLLED DOSAGES OF CHEMICAL AGENTS

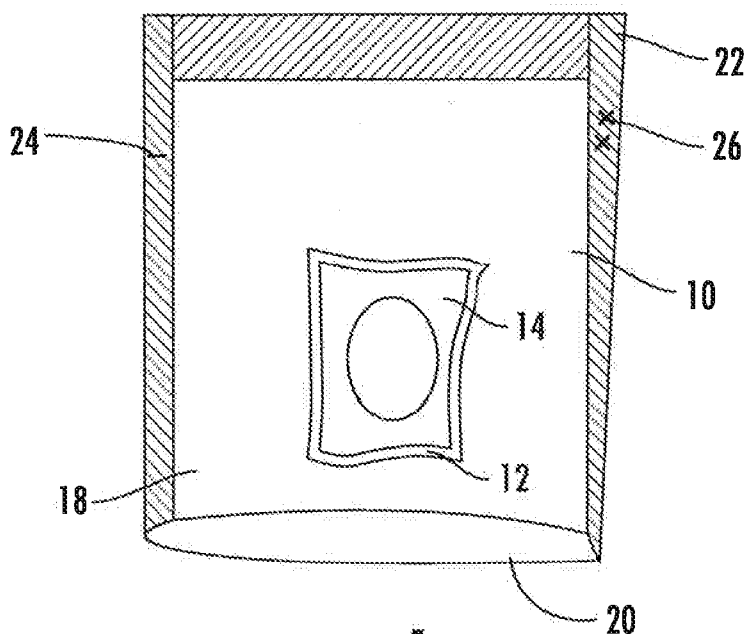


FIG. 1

(57) Abstract: A package system is disclosed for dispensing controlled amounts of a chemical agent. The package system includes an outer package that is generally gas and liquid impermeable. The outer package contains an inner package made from a degradable material, such as a material that is water degradable. The inner package contains a measured amount of a chemical agent. The chemical agent may be difficult to handle and may have corrosive properties, may be an oxidizer, or the like. The package system facilitates dispensing the chemical agent into a particular environment. In one embodiment, the package system is designed to hold a chemical agent for treating recreational water sources, such as swimming pools.





---

— *before the expiration of the time limit for amending the claims and to be republished in the event of receipt of amendments (Rule 48.2(h))*

**(88) Date of publication of the international search report:**  
18 February 2016

**INTERNATIONAL SEARCH REPORT**

International application No  
PCT/US2015/036114

**A. CLASSIFICATION OF SUBJECT MATTER**  
 INV. B65D65/46 B65D75/38 B65D75/58 B65D77/04 B65D81/20  
 ADD.  
 According to International Patent Classification (IPC) or to both national classification and IPC

**B. FIELDS SEARCHED**  
 Minimum documentation searched (classification system followed by classification symbols)  
 B65D

Documentation searched other than minimum documentation to the extent that such documents are included in the fields searched

Electronic data base consulted during the international search (name of data base and, where practicable, search terms used)  
 EPO-Internal, WPI Data

**C. DOCUMENTS CONSIDERED TO BE RELEVANT**

Category*	Citation of document, with indication, where appropriate, of the relevant passages	Relevant to claim No.
X	GB 2 208 168 A (COLGATE PALMOLIVE CO [US]) 8 March 1989 (1989-03-08) page 17 - page 19 -----	1-22
X	US 5 403 096 A (AAGESEN GARY [US]) 4 April 1995 (1995-04-04) column 2, line 17 - column 4, line 9 figures 1-5 -----	1-22
X A	DE 20 2012 004998 U1 (UMICORE NV [BE]) 15 June 2012 (2012-06-15) paragraph [0001] - paragraph [0029] figure 1 -----	1,3-15, 19,20 2,16-18, 21,22
A	WO 92/17381 A2 (RHONE POULENC AGROCHIMIE [FR]) 15 October 1992 (1992-10-15) page 5, line 5 - page 15, line 10 figures 1,2 -----	1-22

Further documents are listed in the continuation of Box C.

See patent family annex.

\* Special categories of cited documents :

- "A" document defining the general state of the art which is not considered to be of particular relevance
- "E" earlier application or patent but published on or after the international filing date
- "L" document which may throw doubts on priority claim(s) or which is cited to establish the publication date of another citation or other special reason (as specified)
- "O" document referring to an oral disclosure, use, exhibition or other means
- "P" document published prior to the international filing date but later than the priority date claimed

- "T" later document published after the international filing date or priority date and not in conflict with the application but cited to understand the principle or theory underlying the invention
- "X" document of particular relevance; the claimed invention cannot be considered novel or cannot be considered to involve an inventive step when the document is taken alone
- "Y" document of particular relevance; the claimed invention cannot be considered to involve an inventive step when the document is combined with one or more other such documents, such combination being obvious to a person skilled in the art
- "&" document member of the same patent family

Date of the actual completion of the international search  11 December 2015	Date of mailing of the international search report  21/12/2015
---	--

Name and mailing address of the ISA/ European Patent Office, P.B. 5818 Patentlaan 2 NL - 2280 HV Rijswijk Tel. (+31-70) 340-2040, Fax: (+31-70) 340-3016	Authorized officer  Rodriguez Gombau, F
--	---

## INTERNATIONAL SEARCH REPORT

Information on patent family members

International application No

PCT/US2015/036114

Patent document cited in search report	Publication date	Patent family member(s)	Publication date	
GB 2208168	A	08-03-1989	AU 623593 B2	21-05-1992
			AU 624282 B2	04-06-1992
			AU 1750288 A	22-12-1988
			AU 6819290 A	07-03-1991
			BE 1004194 A3	13-10-1992
			BR 8802948 A	03-01-1989
			CH 677675 A5	14-06-1991
			DE 3820631 A1	19-01-1989
			DK 334988 A	18-12-1988
			FR 2616796 A1	23-12-1988
			GB 2208168 A	08-03-1989
			GB 2239657 A	10-07-1991
			IL 86659 A	25-05-1992
			IT 1219648 B	24-05-1990
			JP S6465198 A	10-03-1989
			LU 87250 A1	08-03-1989
			MX 163858 B	26-06-1992
			NL 8801547 A	16-01-1989
			NZ 224926 A	29-01-1992
			US 4886615 A	12-12-1989
US 5403096	A	04-04-1995	CA 2129308 A1	16-03-1995
			US 5403096 A	04-04-1995
DE 202012004998	U1	15-06-2012	CN 202897176 U	24-04-2013
			DE 202012004998 U1	15-06-2012
			RU 130139 U1	10-07-2013
WO 9217381	A2	15-10-1992	AP 342 A	03-06-1994
			AT 126496 T	15-09-1995
			AT 174568 T	15-01-1999
			AT 175166 T	15-01-1999
			AT 175167 T	15-01-1999
			AU 670233 B2	11-07-1996
			AU 682124 B2	18-09-1997
			BR 9205838 A	05-07-1994
			CA 2084306 A1	05-10-1992
			CN 1065575 A	28-10-1992
			CN 1066826 A	09-12-1992
			CN 1068794 A	10-02-1993
			CZ 9302052 A3	12-04-1995
			DE 69204159 D1	21-09-1995
			DE 69204159 T2	25-01-1996
			DE 69227923 D1	28-01-1999
			DE 69228071 D1	11-02-1999
			DE 69228072 D1	11-02-1999
			DE 69228072 T2	15-07-1999
			DK 0577702 T3	25-09-1995
			DK 0642987 T3	30-08-1999
			EP 0577702 A1	12-01-1994
			EP 0642985 A2	15-03-1995
			EP 0642986 A2	15-03-1995
			EP 0642987 A2	15-03-1995
			ES 2076757 T3	01-11-1995
			ES 2128482 T3	16-05-1999
			FI 934293 A	25-11-1993
			GR 3017210 T3	30-11-1995
			HU 215979 B	29-03-1999

# INTERNATIONAL SEARCH REPORT

Information on patent family members

International application No

PCT/US2015/036114

Patent document cited in search report	Publication date	Patent family member(s)	Publication date
		IE 921036 A1	07-10-1992
		IL 101477 A	07-10-1994
		JP 2541899 B2	09-10-1996
		JP H06506426 A	21-07-1994
		MA 22489 A1	31-12-1992
		NZ 242181 A	26-07-1994
		PH 30886 A	23-12-1997
		PT 100334 A	29-04-1994
		RU 2096293 C1	20-11-1997
		SK 105993 A3	06-04-1994
		TR 28883 A	05-08-1997
		TW 229136 B	01-09-1994
		US 5222595 A	29-06-1993
		WO 9217381 A2	15-10-1992

---