

(19) World Intellectual Property Organization
International Bureau



(43) International Publication Date
22 March 2001 (22.03.2001)

PCT

(10) International Publication Number
WO 01/020107 A3

(51) International Patent Classification⁷: E05B 65/00,
B65D 85/57

Hills, NY 11767 (US). CHENG, Jim, S.: 8 Monroe Street,
Nesconset, NY 11767 (US).

(21) International Application Number: PCT/US00/25330

(74) Agents: ZOLLINGER, Fred, H., III et al.; Sand &
Sebolt, Aston Park Professional Centre, Suite 194, 4801
Dressler Road, NW, Canton, OH 44718 (US).

(22) International Filing Date:
15 September 2000 (15.09.2000)

(81) Designated States (*national*): AE, AG, AL, AM, AT, AU,
AZ, BA, BB, BG, BR, BY, BZ, CA, CH, CN, CR, CU, CZ,
DE, DK, DM, DZ, EE, ES, FI, GB, GD, GE, GH, GM, HR,
HU, ID, IL, IN, IS, JP, KE, KG, KP, KR, KZ, LC, LK, LR,
LS, LT, LU, LV, MA, MD, MG, MK, MN, MW, MX, MZ,
NO, NZ, PL, PT, RO, RU, SD, SE, SG, SI, SK, SL, TJ, TM,
TR, TT, TZ, UA, UG, UZ, VN, YU, ZA, ZW.

(25) Filing Language: English

(26) Publication Language: English

(30) Priority Data:
60/153,967 15 September 1999 (15.09.1999) US

(84) Designated States (*regional*): ARIPO patent (GH, GM,
KE, LS, MW, MZ, SD, SL, SZ, TZ, UG, ZW), Eurasian
patent (AM, AZ, BY, KG, KZ, MD, RU, TJ, TM), European
patent (AT, BE, CH, CY, DE, DK, ES, FI, FR, GB, GR, IE,
IT, LU, MC, NL, PT, SE), OAPI patent (BF, BJ, CF, CG,
CI, CM, GA, GN, GW, ML, MR, NE, SN, TD, TG).

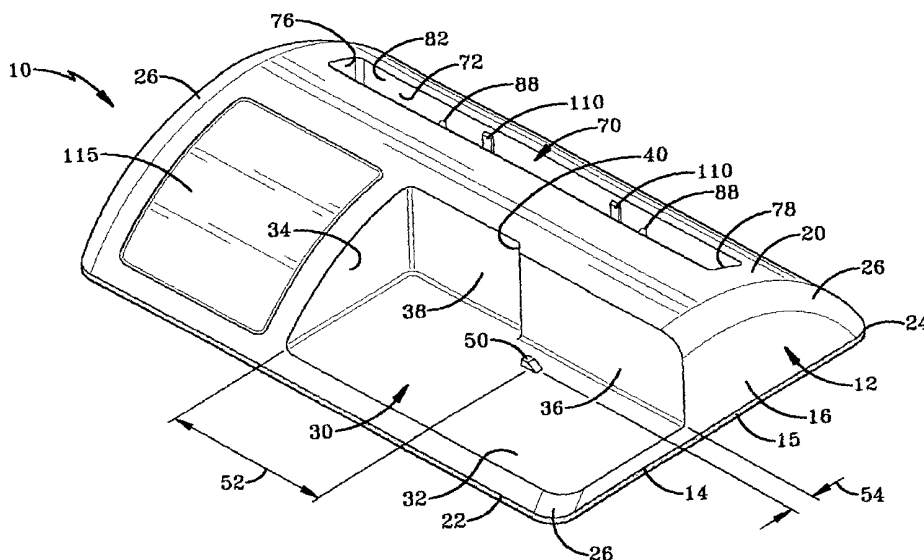
(71) Applicant: ALPHA SECURITY PRODUCTS [US/US];
6370 Wise Avenue, NW, North Canton, OH 44720 (US).

Published:
— with international search report

(72) Inventors: YEAGER, Lawrence, R.: 2163 Prestwick
Drive, Uniontown, OH 44685 (US). BYRNE, James,
M.: 8556 Kellydale, N.W., Massillon, OH 44646 (US).
MCGILL, James, A.: 4933 Dueber Ave., S.W., Canton,
OH 44706 (US). CHOIT, David; 2 Talburn Lane, Dix

[Continued on next page]

(54) Title: UNIVERSAL KEY



(57) Abstract: The universal opener (10) includes at least first and second openers (30, 70). A third opener (120, 146) may be selectively attached to the body (12) in a dock (122). The first opener includes a bottom wall (32) and a rear wall (32). The first opener includes a detent (50) extending up from the bottom wall. The second opener is disposed in a slot (72) in the body. The second opener includes a pair of pins (88) configured to interact with the locking mechanism on a media security container (84). The second opener also includes a spring-loaded grabber (96) that holds the container when the container is being unlocked. The universal opener further includes an interlock system (204) that selectively prevents each of the openers from being used when the system is moved to the locked position.



WO 01/020107 A3



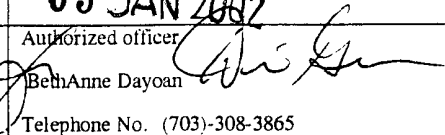
(88) Date of publication of the international search report:
11 July 2002

For two-letter codes and other abbreviations, refer to the "Guidance Notes on Codes and Abbreviations" appearing at the beginning of each regular issue of the PCT Gazette.

INTERNATIONAL SEARCH REPORT

International application No.

PCT/US00/25330

A. CLASSIFICATION OF SUBJECT MATTER			
IPC(7) : E05B 65/00; B65D 85/57			
US CL : 70/57.1, 57, 58; 206/1.5, 308.2, 387.11			
According to International Patent Classification (IPC) or to both national classification and IPC			
B. FIELDS SEARCHED			
Minimum documentation searched (classification system followed by classification symbols) U.S. : 70/57.1, 57, 58; 206/1.5, 308.2, 387.11			
Documentation searched other than minimum documentation to the extent that such documents are included in the fields searched			
Electronic data base consulted during the international search (name of data base and, where practicable, search terms used)			
C. DOCUMENTS CONSIDERED TO BE RELEVANT			
Category *	Citation of document, with indication, where appropriate, of the relevant passages	Relevant to claim No.	
X,P --- Y,P	US 5,956,981 A (WEISBURN et al) 28 September 1999 (28.09.99), column 3 line 60 to column 7 line 29.	1,14 ----- 2	
Y,E	US 6,182,480 B (KIM) 6 February 2001 (06.02.01), Figure 1	2	
Y	US 5,850,752 A (LAX) 22 December 1998 (22.12.98), Figures 7a-c	4	
A	US 5,762,187 A (BELDEN JR et al) 9 June 1998 (09.06.98), Figure 1	2	
A	US 5,528,914 A (NGUYEN et al) 25 June 1996 (25.06.96), Figures 8-10	1-20	
A	US 5,535,606 A (NGUYEN et al) 16 July 1996 (16.07.96), Figures 8-11	1-20	
A	US 5,598,728 A (LAX) 4 February 1997 (04.02.97) Figures 1-10	1-20	
A	US 5,768,922 A (LAX) 23 June 1998 (23.06.98), Figures 1-11	1-20	
<input type="checkbox"/> Further documents are listed in the continuation of Box C. <input type="checkbox"/> See patent family annex.			
* Special categories of cited documents:		"T" later document published after the international filing date or priority date and not in conflict with the application but cited to understand the principle or theory underlying the invention	
"A"	document defining the general state of the art which is not considered to be of particular relevance	"X"	document of particular relevance; the claimed invention cannot be considered novel or cannot be considered to involve an inventive step when the document is taken alone
"E"	earlier application or patent published on or after the international filing date	"Y"	document of particular relevance; the claimed invention cannot be considered to involve an inventive step when the document is combined with one or more other such documents, such combination being obvious to a person skilled in the art
"L"	document which may throw doubts on priority claim(s) or which is cited to establish the publication date of another citation or other special reason (as specified)	"&"	document member of the same patent family
"O"	document referring to an oral disclosure, use, exhibition or other means		
"P"	document published prior to the international filing date but later than the priority date claimed		
Date of the actual completion of the international search		Date of mailing of the international search report	
16 November 2001 (16.11.2001)		03 JAN 2002	
Name and mailing address of the ISA/US Commissioner of Patents and Trademarks Box PCT Washington, D.C. 20231 Facsimile No. (703)-305-3230		Authorized officer BethAnne Dayoan  Telephone No. (703)-308-3865	