

(19) World Intellectual Property
Organization
International Bureau



(43) International Publication Date
31 March 2005 (31.03.2005)

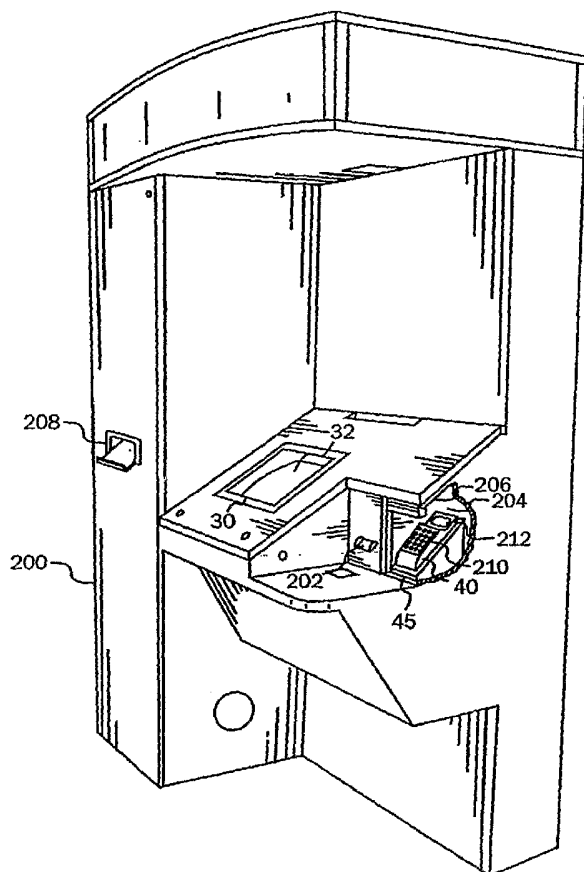
PCT

(10) International Publication Number
WO 2005/029418 A3

- (51) International Patent Classification⁷: G06F 17/60 (74) Agents: PADMANABHAN, Devan, V. et al.; Dorsey & Whitney LLP, Intellectual Property Department, Suite 1500, 50 South Sixth Street, Minneapolis, MN 55402-1498 (US).
- (21) International Application Number: PCT/US2004/030156
- (22) International Filing Date: 15 September 2004 (15.09.2004)
- (25) Filing Language: English
- (26) Publication Language: English
- (30) Priority Data: 10/662,754 15 September 2003 (15.09.2003) US
- (71) Applicant and
(72) Inventor: VEENEMAN, William, J. [US/US]; 110 Bank Street S.E., La Rive Condominium #1701, Minneapolis, MN 55414 (US).
- (81) Designated States (unless otherwise indicated, for every kind of national protection available): AE, AG, AL, AM, AT, AU, AZ, BA, BB, BG, BR, BW, BY, BZ, CA, CH, CN, CO, CR, CU, CZ, DE, DK, DM, DZ, EC, EE, EG, ES, FI, GB, GD, GE, GH, GM, HR, HU, ID, IL, IN, IS, JP, KE, KG, KP, KR, KZ, LC, LK, LR, LS, LT, LU, LV, MA, MD, MG, MK, MN, MW, MX, MZ, NA, NI, NO, NZ, OM, PG, PH, PL, PT, RO, RU, SC, SD, SE, SG, SK, SL, SY, TJ, TM, TN, TR, TT, TZ, UA, UG, US, UZ, VC, VN, YU, ZA, ZM, ZW.
- (84) Designated States (unless otherwise indicated, for every kind of regional protection available): ARIPO (BW, GH, GM, KE, LS, MW, MZ, NA, SD, SL, SZ, TZ, UG, ZM, ZW), Eurasian (AM, AZ, BY, KG, KZ, MD, RU, TJ, TM),

[Continued on next page]

(54) Title: MULTI-MERCHANT GIFT REGISTRY



(57) Abstract: A multi-merchant gift registry (200) utilizes a portable hand held scanner (40) having a wireless communication link. Items are scanned with the scanner (40) and this data is transmitted to a remote terminal or a point of sale system that correlates the scanned data with a product identification. This product identification is then transmitted back to the scanner (40), where it is displayed (monitor 212). The registrant can then choose the product and enter a quantity. This information is again transmitted via a wireless link and the gift registry is updated.

WO 2005/029418 A3



European (AT, BE, BG, CH, CY, CZ, DE, DK, EE, ES, FI, FR, GB, GR, HU, IE, IT, LU, MC, NL, PL, PT, RO, SE, SI, SK, TR), OAPI (BF, BJ, CF, CG, CI, CM, GA, GN, GQ, GW, ML, MR, NE, SN, TD, TG).

(88) Date of publication of the international search report:
22 December 2005

Published:

- *with international search report*
- *before the expiration of the time limit for amending the claims and to be republished in the event of receipt of amendments*

For two-letter codes and other abbreviations, refer to the "Guidance Notes on Codes and Abbreviations" appearing at the beginning of each regular issue of the PCT Gazette.

INTERNATIONAL SEARCH REPORT

International application No.
PCT/US04/30156

A. CLASSIFICATION OF SUBJECT MATTER
 IPC(7) : G06F 17/60
 US CL : 705/26, 27
 According to International Patent Classification (IPC) or to both national classification and IPC

B. FIELDS SEARCHED
 Minimum documentation searched (classification system followed by classification symbols)
 U.S. : 705/26, 27

Documentation searched other than minimum documentation to the extent that such documents are included in the fields searched

Electronic data base consulted during the international search (name of data base and, where practicable, search terms used)
 East search: scanner, gift registration, gift buyer, readable code, gift items

C. DOCUMENTS CONSIDERED TO BE RELEVANT

Category *	Citation of document, with indication, where appropriate, of the relevant passages	Relevant to claim No.
A	US 6,609,106 B1 (ROBERTSON) 19 August 2003 (19.08.2003), see entire document.	1-75
A	US 5,970,474 (LEROY et al) 19 October 1999 (19.10.1999), see abstract.	1-75
A	US 2003/0074265 A1 (OSHIMA) 17 April 2003 (17.04.2003), see entire document.	1-75
A	US 2003/0233283 A1 (SHAH) 18 December 2003 (18.12.2003), see entire document.	1-75

Further documents are listed in the continuation of Box C. See patent family annex.

* Special categories of cited documents:	"I"
"A" document defining the general state of the art which is not considered to be of particular relevance	later document published after the international filing date or priority date and not in conflict with the application but cited to understand the principle or theory underlying the invention
"E" earlier application or patent published on or after the international filing date	"X" document of particular relevance; the claimed invention cannot be considered novel or cannot be considered to involve an inventive step when the document is taken alone
"L" document which may throw doubts on priority claim(s) or which is cited to establish the publication date of another citation or other special reason (as specified)	"Y" document of particular relevance; the claimed invention cannot be considered to involve an inventive step when the document is combined with one or more other such documents, such combination being obvious to a person skilled in the art
"O" document referring to an oral disclosure, use, exhibition or other means	"&" document member of the same patent family
"P" document published prior to the international filing date but later than the priority date claimed	

Date of the actual completion of the international search: 15 September 2005 (15.09.2005)
 Date of mailing of the international search report: 18 OCT 2005

Name and mailing address of the ISA/US: Mail Stop PCT, Attn: ISA/US, Commissioner for Patents, P.O. Box 1450, Alexandria, Virginia 22313-1450
 Facsimile No. (703) 305-3230
 Authorized officer: *R. W. Weltermuth* for Ronald Laneau
 Telephone No. (571) 272-6784