

(19) World Intellectual Property Organization
International Bureau



(43) International Publication Date
19 December 2002 (19.12.2002)

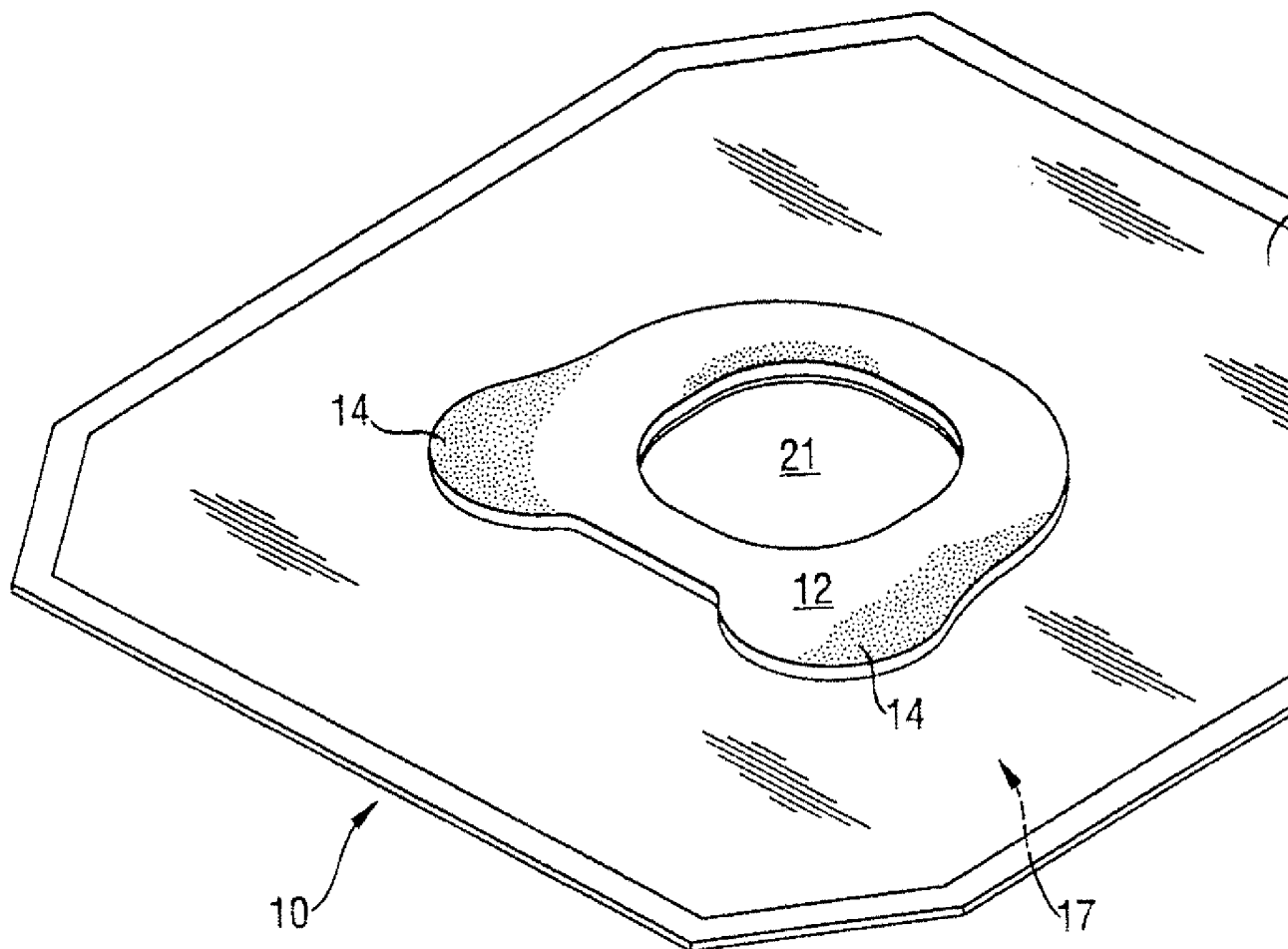
PCT

(10) International Publication Number
WO 02/100306 A3

- (51) International Patent Classification⁷: **A61F 5/443** (30) Priority Data: 01114143.9 11 June 2001 (11.06.2001) EP
- (21) International Application Number: PCT/US02/17984 (71) Applicant (for all designated States except US): **THE PROCTER & GAMBLE COMPANY** [US/US]; One Procter & Gamble Plaza, Cincinnati, OH 45202 (US).
- (22) International Filing Date: 7 June 2002 (07.06.2002) (72) Inventors; and (75) Inventors/Applicants (for US only): **BURNS, Jay, G.** [US/JP]; 1702, 5-15 Koyochi-naka, Higashinada-ku, Kobe
- (25) Filing Language: English
- (26) Publication Language: English

[Continued on next page]

(54) Title: HUMAN WASTE COLLECTION BAG COMPRISING STRESS RELIEF MEANS



(57) Abstract: The present invention relates to human waste collection bags for babies, children or adults to be attached to a wearer. More particularly it relates to a human waste collection bag comprising a pouch (11) and an aperture (21) the aperture (21) being surrounded by a flange (12), the pouch (11) being at least partially joined to the flange (12), and the human waste collection bag comprising a stress relief means (50) to relief stress exerted by portions of the pouch (11) onto portions of the flange (12).



WO 02/100306 A3



658-0032 (JP). HASEGAWA, Maya [JP/JP]; 5-9-404, Miyagawa-cho, Ashiya (JP).

(74) Common Representative: REED, David, T.; The Procter & Gamble Company, 6110 Center Hill Road, Cincinnati, OH 45224 (US).

(81) Designated States (national): AE, AG, AL, AM, AT (utility model), AT, AU, AZ, BA, BB, BG, BR, BY, BZ, CA, CH, CN, CO, CR, CU, CZ (utility model), CZ, DE (utility model), DE, DK (utility model), DK, DM, DZ, EC, EE (utility model), EE, ES, FI (utility model), FI, GB, GD, GE, GH, GM, HR, HU, ID, IL, IN, IS, JP, KE, KG, KP, KR, KZ, LC, LK, LR, LS, LT, LU, LV, MA, MD, MG, MK, MN, MW, MX, MZ, NO, NZ, OM, PH, PL, PT, RO, RU, SD, SE, SG, SI, SK (utility model), SK, SL, TJ, TM, TN, TR, TT, TZ, UA, UG, US, UZ, VN, YU, ZA, ZM, ZW.

(84) Designated States (regional): ARIPO patent (GH, GM, KE, LS, MW, MZ, SD, SL, SZ, TZ, UG, ZM, ZW), Eurasian patent (AM, AZ, BY, KG, KZ, MD, RU, TJ, TM), European patent (AT, BE, CH, CY, DE, DK, ES, FI, FR, GB, GR, IE, IT, LU, MC, NL, PT, SE, TR), OAPI patent (BF, BJ, CF, CG, CI, CM, GA, GN, GQ, GW, ML, MR, NE, SN, TD, TG).

Published:

— with international search report

(88) Date of publication of the international search report:

4 December 2003

For two-letter codes and other abbreviations, refer to the "Guidance Notes on Codes and Abbreviations" appearing at the beginning of each regular issue of the PCT Gazette.

INTERNATIONAL SEARCH REPORT

International Application No
PCT/US 02/17984

A. CLASSIFICATION OF SUBJECT MATTER IPC 7 A61F5/443				
According to International Patent Classification (IPC) or to both national classification and IPC				
B. FIELDS SEARCHED				
Minimum documentation searched (classification system followed by classification symbols) IPC 7 A61F				
Documentation searched other than minimum documentation to the extent that such documents are included in the fields searched				
Electronic data base consulted during the international search (name of data base and, where practical, search terms used) EPO-Internal				
C. DOCUMENTS CONSIDERED TO BE RELEVANT				
Category °	Citation of document, with indication, where appropriate, of the relevant passages	Relevant to claim No.		
X	US 5 912 059 A (JONES CHERYL D ET AL) 15 June 1999 (1999-06-15) column 11, line 31 - line 58; figure 7 ---	1,2		
A	WO 00 30576 A (COLOPLAST AS ;HANSEN MICHAEL (DK); LEISNER HENRIK (DK)) 2 June 2000 (2000-06-02) page 7, paragraph 2 ---	1,6		
A	GB 785 562 A (ELISE SORENSEN) 30 October 1957 (1957-10-30) page 2, line 29 - line 47 ---	1		
A	GB 2 152 387 A (HOLLISTER INC) 7 August 1985 (1985-08-07) cited in the application claim 1 ---	1		
	-/--			
<input checked="" type="checkbox"/> Further documents are listed in the continuation of box C. <input checked="" type="checkbox"/> Patent family members are listed in annex.				
° Special categories of cited documents : <table style="width:100%; border:none;"> <tr> <td style="width:50%; border:none;"> *A* document defining the general state of the art which is not considered to be of particular relevance *E* earlier document but published on or after the international filing date *L* document which may throw doubts on priority claim(s) or which is cited to establish the publication date of another citation or other special reason (as specified) *O* document referring to an oral disclosure, use, exhibition or other means *P* document published prior to the international filing date but later than the priority date claimed </td> <td style="width:50%; border:none;"> *T* later document published after the international filing date or priority date and not in conflict with the application but cited to understand the principle or theory underlying the invention *X* document of particular relevance; the claimed invention cannot be considered novel or cannot be considered to involve an inventive step when the document is taken alone *Y* document of particular relevance; the claimed invention cannot be considered to involve an inventive step when the document is combined with one or more other such documents, such combination being obvious to a person skilled in the art. *&* document member of the same patent family </td> </tr> </table>			*A* document defining the general state of the art which is not considered to be of particular relevance *E* earlier document but published on or after the international filing date *L* document which may throw doubts on priority claim(s) or which is cited to establish the publication date of another citation or other special reason (as specified) *O* document referring to an oral disclosure, use, exhibition or other means *P* document published prior to the international filing date but later than the priority date claimed	*T* later document published after the international filing date or priority date and not in conflict with the application but cited to understand the principle or theory underlying the invention *X* document of particular relevance; the claimed invention cannot be considered novel or cannot be considered to involve an inventive step when the document is taken alone *Y* document of particular relevance; the claimed invention cannot be considered to involve an inventive step when the document is combined with one or more other such documents, such combination being obvious to a person skilled in the art. *&* document member of the same patent family
A document defining the general state of the art which is not considered to be of particular relevance *E* earlier document but published on or after the international filing date *L* document which may throw doubts on priority claim(s) or which is cited to establish the publication date of another citation or other special reason (as specified) *O* document referring to an oral disclosure, use, exhibition or other means *P* document published prior to the international filing date but later than the priority date claimed	*T* later document published after the international filing date or priority date and not in conflict with the application but cited to understand the principle or theory underlying the invention *X* document of particular relevance; the claimed invention cannot be considered novel or cannot be considered to involve an inventive step when the document is taken alone *Y* document of particular relevance; the claimed invention cannot be considered to involve an inventive step when the document is combined with one or more other such documents, such combination being obvious to a person skilled in the art. *&* document member of the same patent family			
Date of the actual completion of the international search 25 February 2003		Date of mailing of the international search report 05/03/2003		
Name and mailing address of the ISA European Patent Office, P.B. 5818 Patentlaan 2 NL - 2280 HV Rijswijk Tel. (+31-70) 340-2040, Tx. 31 651 epo nl, Fax: (+31-70) 340-3016		Authorized officer Korth, C-F		

INTERNATIONAL SEARCH REPORT

International Application No
PCT/US 02/17984

C.(Continuation) DOCUMENTS CONSIDERED TO BE RELEVANT

Category °	Citation of document, with indication, where appropriate, of the relevant passages	Relevant to claim No.
A	US 4 784 656 A (CHRISTIAN DELORES J) 15 November 1988 (1988-11-15) cited in the application abstract ---	1
A	US 3 577 989 A (ANDERSON JEAN O) 11 May 1971 (1971-05-11) cited in the application abstract ---	1
A	SE 444 762 B (SUND STEN) 12 May 1986 (1986-05-12) cited in the application the whole document -----	1

INTERNATIONAL SEARCH REPORT

Information on patent family members

International Application No
PCT/US 02/17984

Patent document cited in search report	Publication date	Publication date	Patent family member(s)	Publication date
US 5912059	A	15-06-1999	AU 727924 B2	04-01-2001
			AU 1566297 A	06-03-1998
			CA 2261932 A1	26-02-1998
			EP 0918499 A1	02-06-1999
			JP 2000516510 T	12-12-2000
			WO 9807396 A1	26-02-1998
			<hr/>	
WO 0030576	A	02-06-2000	DK 152098 A	13-07-2000
			AU 1151400 A	13-06-2000
			CN 1326333 T	12-12-2001
			WO 0030576 A1	02-06-2000
			EP 1131023 A1	12-09-2001
			HU 0104142 A2	28-03-2002
			JP 2002530149 T	17-09-2002
			PL 348374 A1	20-05-2002
<hr/>				
GB 785562	A	30-10-1957	NONE	
<hr/>				
GB 2152387	A	07-08-1985	US 4445898 A	01-05-1984
			AU 559535 B2	12-03-1987
			AU 1199883 A	22-09-1983
			CA 1190823 A1	23-07-1985
			CA 1197747 A2	10-12-1985
			DE 3309083 A1	22-09-1983
			DK 102883 A ,B,	17-09-1983
			ES 279833 U	16-11-1984
			FR 2523435 A1	23-09-1983
			GB 2116849 A ,B	05-10-1983
			HK 52087 A	10-07-1987
			HK 83087 A	13-11-1987
			IE 53994 B1	10-05-1989
			JP 1500596 C	28-06-1989
			JP 58165843 A	30-09-1983
			JP 63052900 B	20-10-1988
			SE 454238 B	18-04-1988
SE 8301349 A	17-09-1983			
<hr/>				
US 4784656	A	15-11-1988	NONE	
<hr/>				
US 3577989	A	11-05-1971	NONE	
<hr/>				
SE 444762	B	12-05-1986	SE 8104934 A	21-02-1983