

(12) **UK Patent Application** (19) **GB** (11) **2 425 359** (13) **A**

(43) Date of Printing by UK Office **25.10.2006**

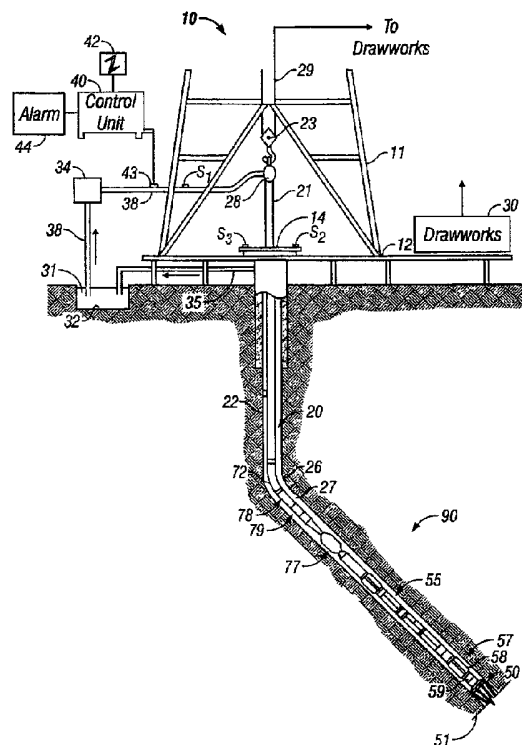
(21) Application No: **0614658.3**  
(22) Date of Filing: **17.12.2004**  
(30) Priority Data:  
(31) **10746071** (32) **24.12.2003** (33) **US**  
(86) International Application Data:  
**PCT/US2004/042506 En 17.12.2004**  
(87) International Publication Data:  
**WO2005/064362 En 14.07.2005**

(51) INT CL:  
**G01V 3/28 (2006.01)**  
(52) UK CL (Edition X ):  
**G1N NCLF N19B2C**  
(56) Documents Cited by ISA:  
**WO 2005/047934 A US 6400149 B1**  
**US 6181138 B1 US 20030184299 A1**  
**US 20030028324 A1**  
(58) Field of Search by ISA:  
INT CL **G01V**  
Other: **EPO-Internal, INSPEC, Compendex, WPI Data**

(71) Applicant(s):  
**Baker Hughes Incorporated**  
**(Incorporated in USA - Delaware)**  
**3900 Essex Lane, Suite 1200, Houston,**  
**Texas 77210-4740,**  
**United States of America**  
(72) Inventor(s):  
**Roger Cruz**  
**Brent Hope**  
  
(continued on next page)

(54) Abstract Title: **Method for measuring transient electromagnetic components to perform deep geosteering while drilling**

(57) A transverse induction transmitter on an instrument induces currents in an earth formation when it is pulsed. Transient measurements made at transverse and axial receivers are used for determination of a distance to a bed boundary. This may be used to control the drilling direction. Alternatively, a transmitter on an instrument having a conductive body induces currents in the earth formation. Transient signals are measured and the effect of the conductive body is removed by using a reference signal measured in a homogenous space.



**GB 2 425 359 A**

**GB 2425359 A continuation**

(72) cont

**Nico Foekema**

**Gregory B Itskovich**

(74) Agent and/or Address for Service:

**Frank B Dehn & Co.**

**St. Bride's House, 10 Salisbury Square,  
LONDON, EC4Y 8JD, United Kingdom**