



US00D970287S

(12) **United States Design Patent**
Dean et al.

(10) **Patent No.:** **US D970,287 S**

(45) **Date of Patent:** **** Nov. 22, 2022**

- (54) **LID**
- (71) Applicant: **The Coleman Company, Inc.**, Wichita, KS (US)
- (72) Inventors: **Matthew Brian Dean**, Parchment, MI (US); **Sean Thomas Eurich**, Portage, MI (US)
- (73) Assignee: **The Coleman Company, Inc.**, Wichita, KS (US)
- (**) Term: **15 Years**
- (21) Appl. No.: **29/708,484**
- (22) Filed: **Oct. 7, 2019**
- (51) **LOC (13) Cl.** **07-99**
- (52) **U.S. Cl.**
USPC **D7/392.1; D9/443**
- (58) **Field of Classification Search**
USPC D7/392, 392.1, 396.2; D9/434, 445, 447, D9/454
CPC B65D 83/205; A47G 19/2272
See application file for complete search history.

D917,957 S *	5/2021	Yao	D9/516
D922,135 S *	6/2021	Chen	D7/392.1
D934,623 S *	11/2021	Wang	D7/392.1
D942,208 S *	2/2022	Lown	D9/450
D945,214 S *	3/2022	Zhou	D7/392.1
D948,928 S *	4/2022	Chen	D7/392.1

FOREIGN PATENT DOCUMENTS

CA	194341	*	2/2022
CN	306159768	*	11/2020

* cited by examiner

Primary Examiner — S. Bryan Reinholdt, Jr.
(74) *Attorney, Agent, or Firm* — Husch Blackwell LLP

(57) **CLAIM**

We claim the ornamental design for a lid, as shown and described.

DESCRIPTION

FIG. 1 is a perspective view of a lid according to our new design, shown in a closed configuration;
FIG. 2 is a top plan view thereof;
FIG. 3 is a front elevation view thereof;
FIG. 4 is a right side elevation view thereof;
FIG. 5 is a rear elevation view thereof;
FIG. 6 is a left side elevation view thereof; and,
FIG. 7 is a perspective view of a lid, shown in an open configuration.

1 Claim, 5 Drawing Sheets

- (56) **References Cited**
U.S. PATENT DOCUMENTS
D801,111 S * 10/2017 Eyal D9/449
D896,573 S * 9/2020 Wu D7/392.1

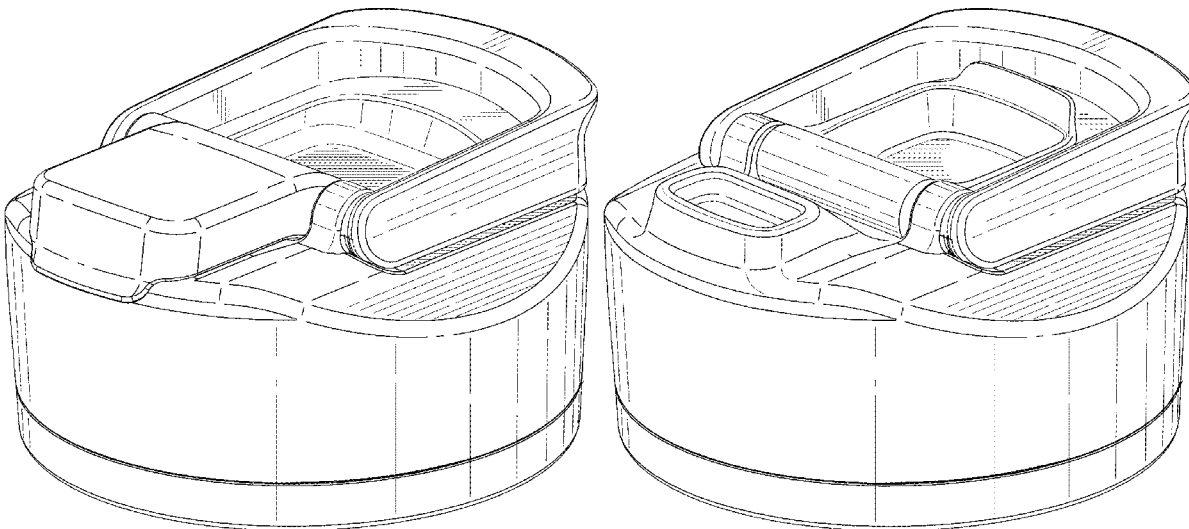


FIG. 1

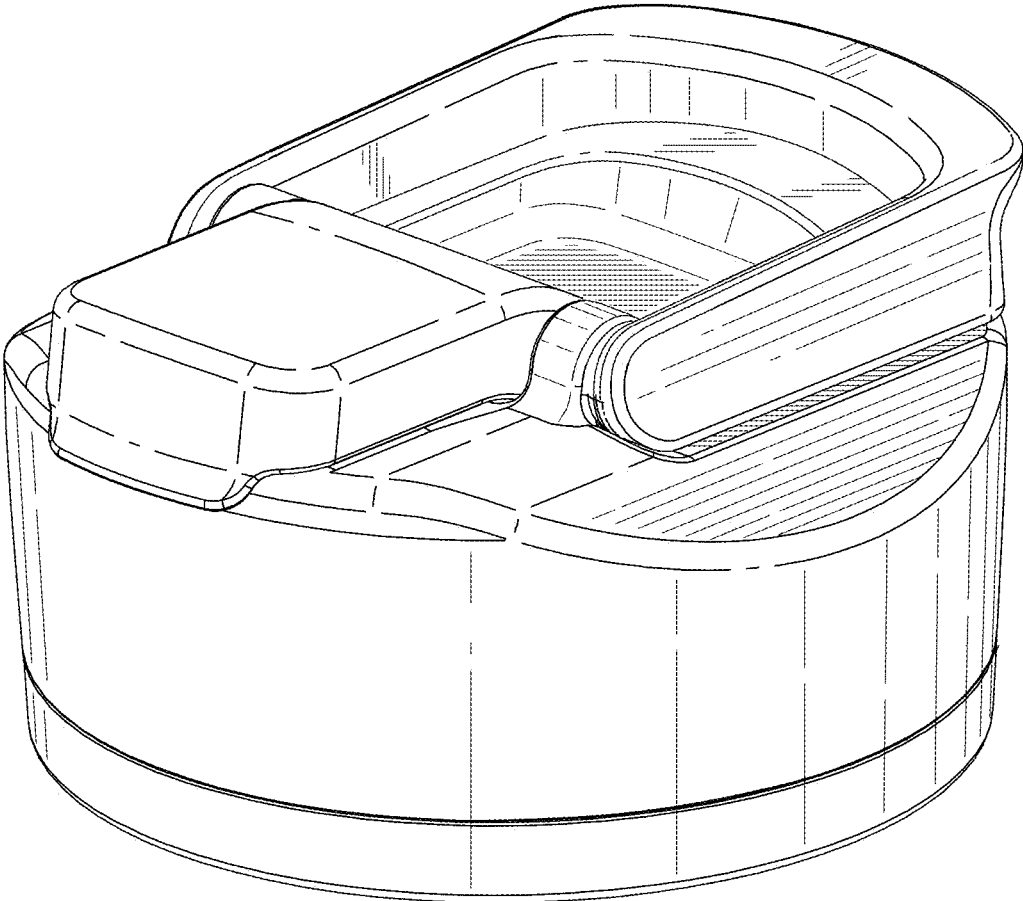


FIG. 2

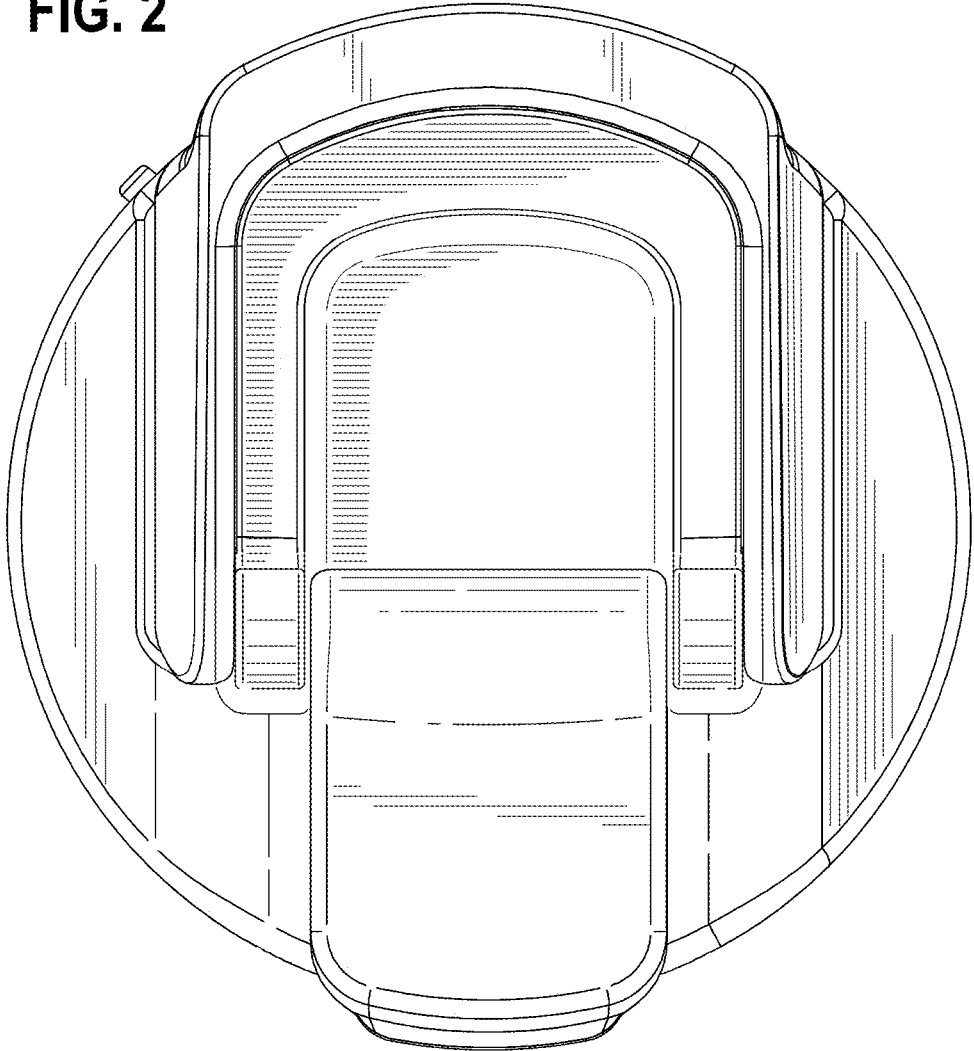


FIG. 3

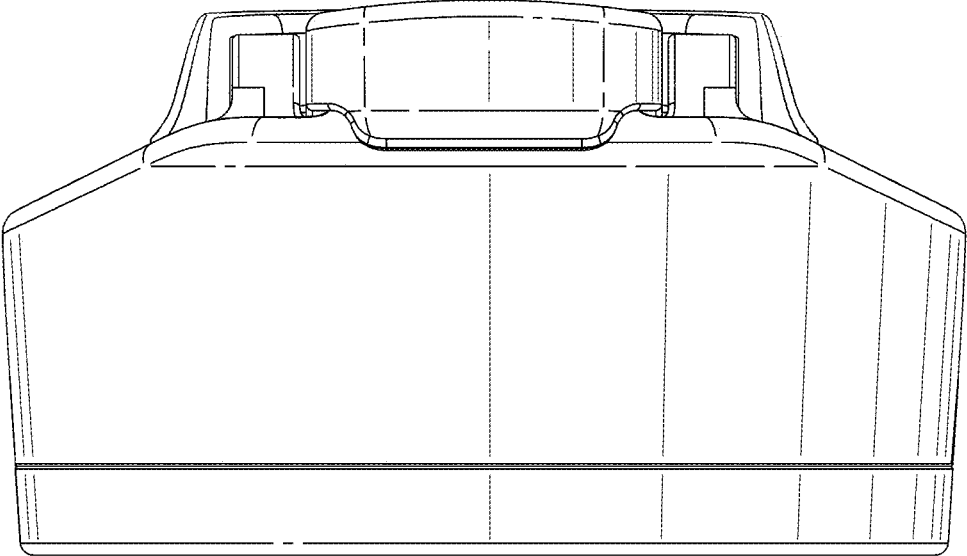


FIG. 4

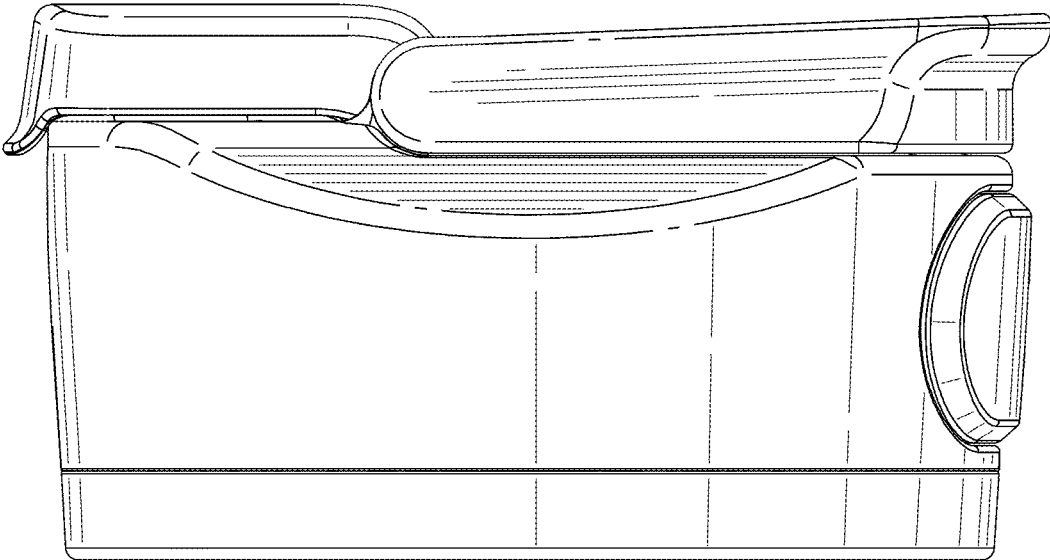


FIG. 5

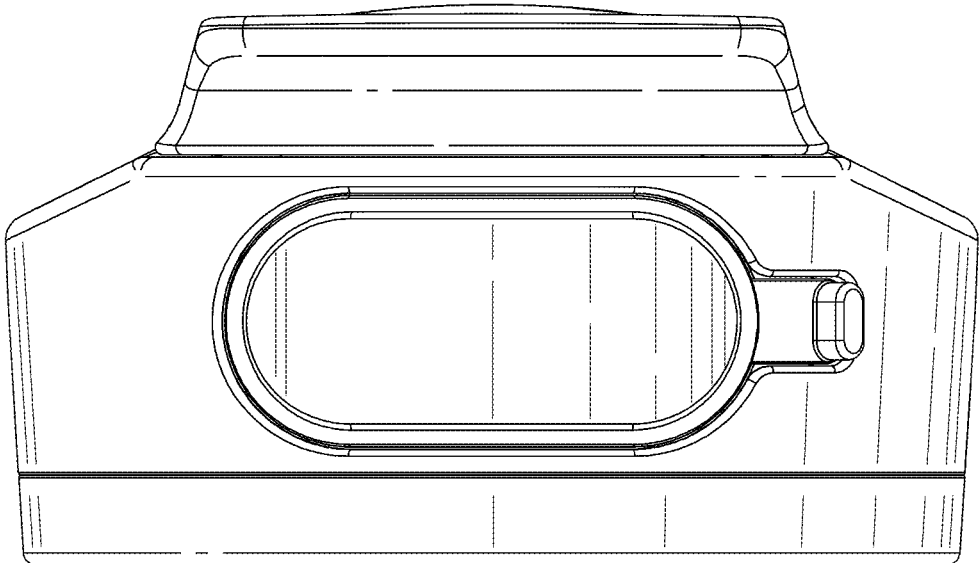


FIG. 6

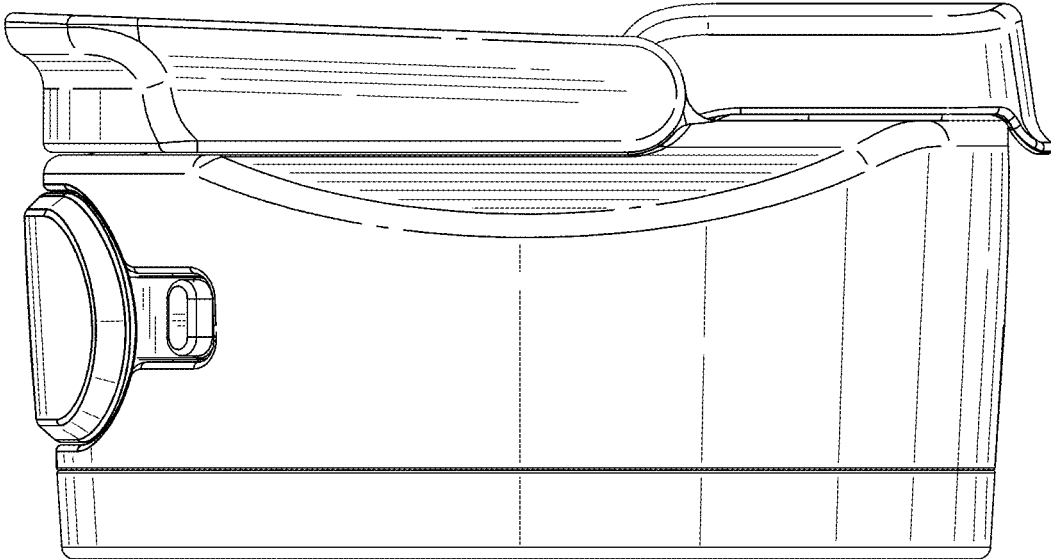


FIG. 7

