



US00D724290S

(12) **United States Design Patent**  
**Cha et al.**

(10) **Patent No.:** **US D724,290 S**  
(45) **Date of Patent:** **\*\* Mar. 10, 2015**

(54) **AUTOMATED TELLER MACHINE**  
(71) Applicant: **Nautilus Hyosung Inc.**, Seoul (KR)  
(72) Inventors: **Jae Min Cha**, Sungnam-si (KR); **Jae Min Park**, Anyang-si (KR); **Chan Won Park**, Yongin-si (KR); **Hee Youn Lee**, Sungnam-si (KR)  
(73) Assignee: **Nautilus Hyosung Inc.**, Seoul (KR)

D558,425 S \* 12/2007 Dias ..... D99/28  
D596,374 S \* 7/2009 Kang et al. .... D99/28  
D625,305 S \* 10/2010 Bleck et al. .... D14/307  
D629,585 S \* 12/2010 Bleck et al. .... D99/28  
7,926,712 B2 \* 4/2011 Schlabach et al. .... 235/379  
7,959,072 B1 \* 6/2011 Jenkins et al. .... 235/379  
D645,223 S \* 9/2011 Bleck et al. .... D99/28  
D653,835 S \* 2/2012 Strempack et al. .... D99/43  
D682,504 S \* 5/2013 Lee et al. .... D99/28  
D696,484 S \* 12/2013 Lee et al. .... D99/28  
D696,485 S \* 12/2013 Lee et al. .... D99/28  
D707,013 S \* 6/2014 Perez Pina ..... D99/28  
D707,014 S \* 6/2014 Perez Pina ..... D99/28

(\*\*) Term: **14 Years**

\* cited by examiner

(21) Appl. No.: **29/486,087**

*Primary Examiner* — Elizabeth J Oswecki

(22) Filed: **Mar. 26, 2014**

(74) *Attorney, Agent, or Firm* — Fenwick & West LLP

(30) **Foreign Application Priority Data**

(57) **CLAIM**

Mar. 7, 2014 (KR) ..... 30-2014-0011682

The ornamental design for an automated teller machine, as shown and described.

(51) **LOC (10) Cl.** ..... **20-01**

**DESCRIPTION**

(52) **U.S. Cl.**  
USPC ..... **D99/28**

(58) **Field of Classification Search**  
USPC ..... D99/28, 34, 35, 36, 43, 99;  
D14/300-303, 900-902; D18/3.1-3.3,  
D18/4.1-4.6, 12.1-12.3; 206/0.8, 0.81,  
206/0.815, 0.82, 0.83, 0.84; 101/66;  
109/1 R, 1 V, 2, 23, 24.1, 25, 58, 58.5,  
109/66; 446/8-13; 705/16, 17, 18, 42, 43,  
705/44, 45  
See application file for complete search history.

FIG. 1 is a perspective view of an automated teller machine, showing our new design.  
FIG. 2 is a front view of the automated teller machine of FIG. 1.  
FIG. 3 is a rear view of the automated teller machine of FIG. 1.  
FIG. 4 is a left side view of the automated teller machine of FIG. 1.  
FIG. 5 is a right side view of the automated teller machine of FIG. 1.  
FIG. 6 is a top view of the automated teller machine of FIG. 1; and,  
FIG. 7 is a bottom view of the automated teller machine of FIG. 1.  
The broken lines shown in the drawings represent portions of the automated teller machine that form no part of the claimed design.

(56) **References Cited**

U.S. PATENT DOCUMENTS

D377,170 S \* 1/1997 Wilson ..... D14/130  
D388,229 S \* 12/1997 Couch ..... D99/28  
D420,487 S \* 2/2000 Swaine ..... D99/28  
D481,515 S \* 10/2003 Magee et al. .... D99/28  
D505,765 S \* 5/2005 Swaine et al. .... D99/28

**1 Claim, 7 Drawing Sheets**

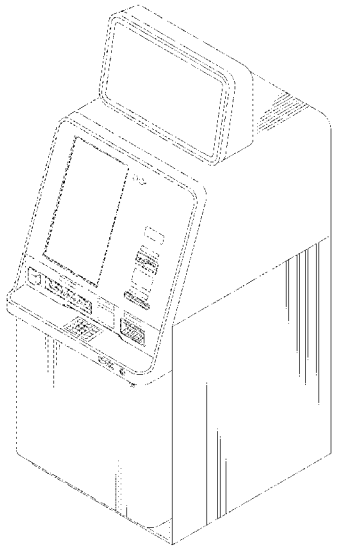


Fig 1

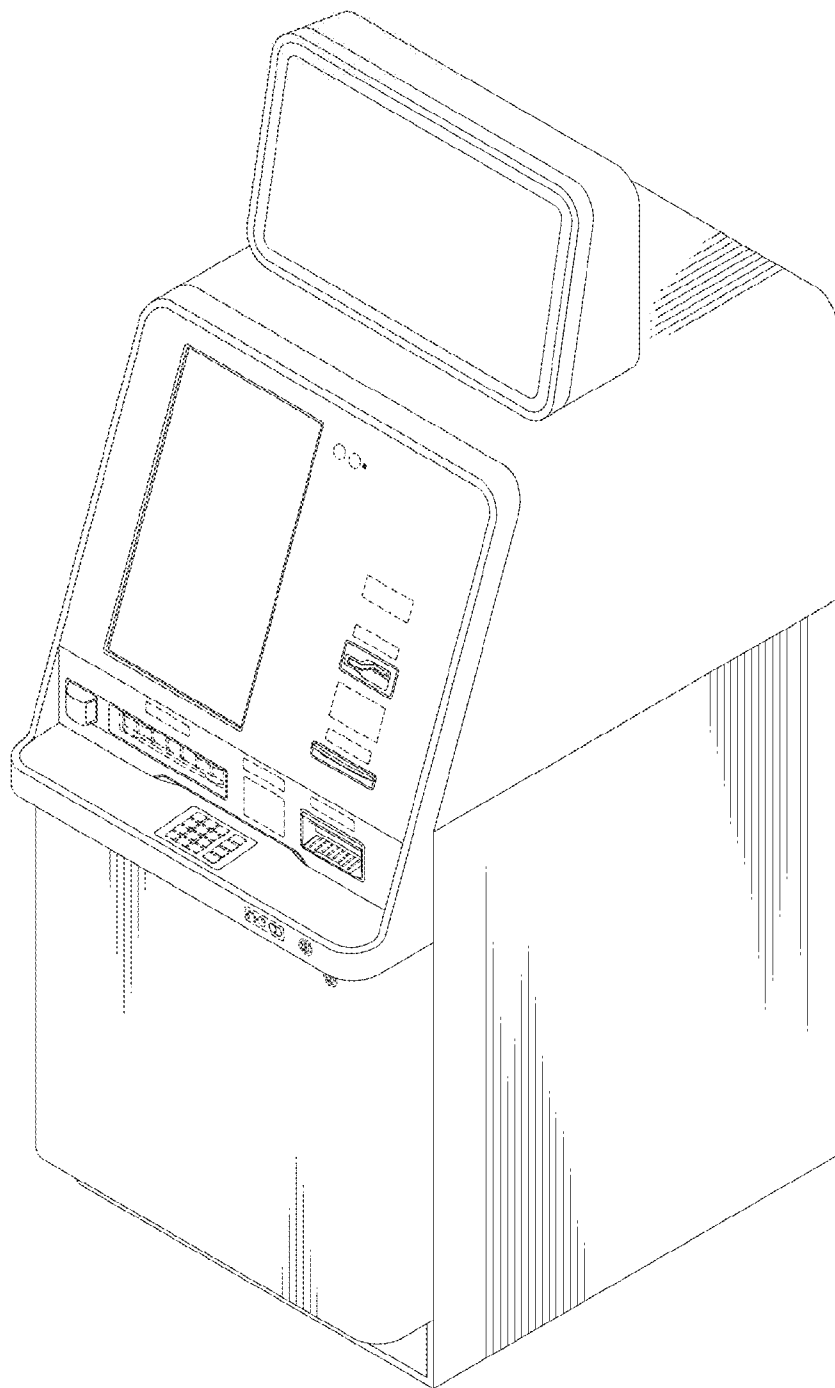


Fig 2

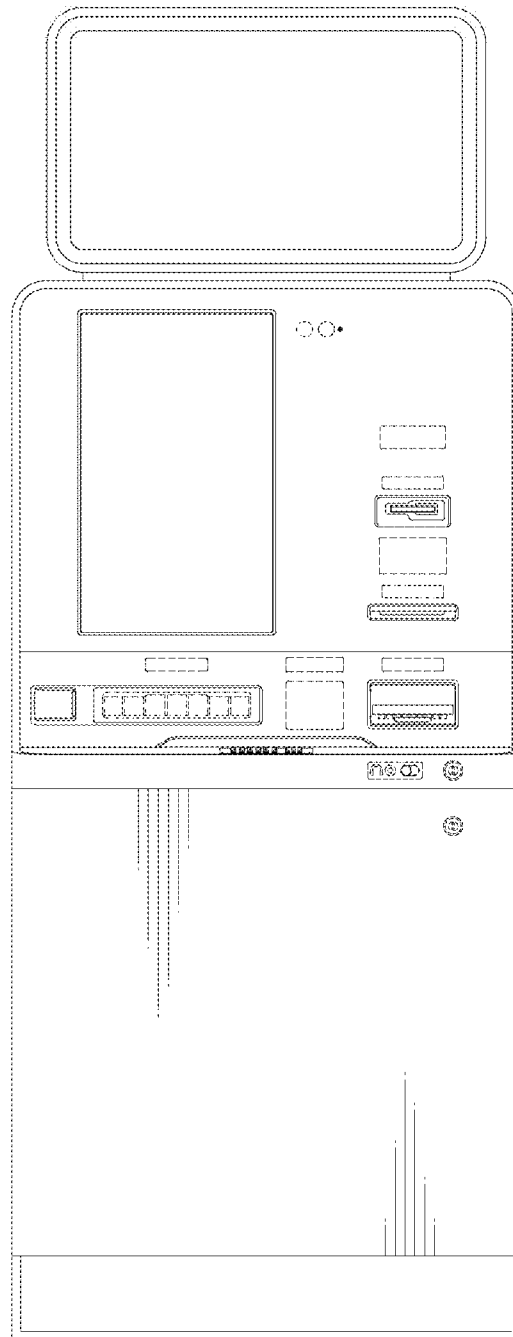


Fig 3

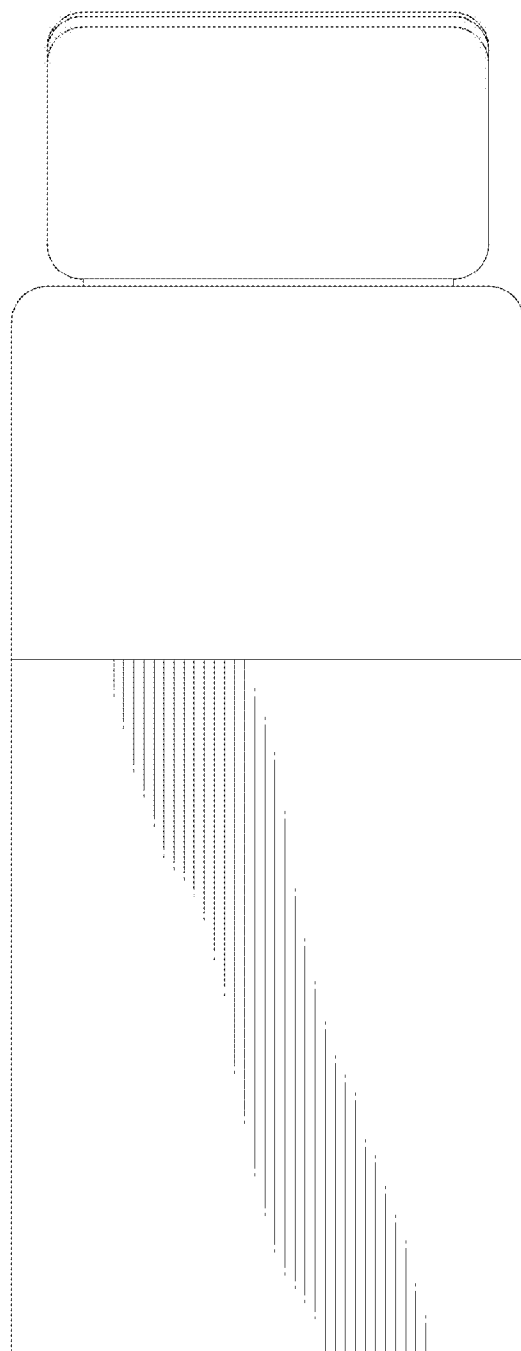


Fig 4

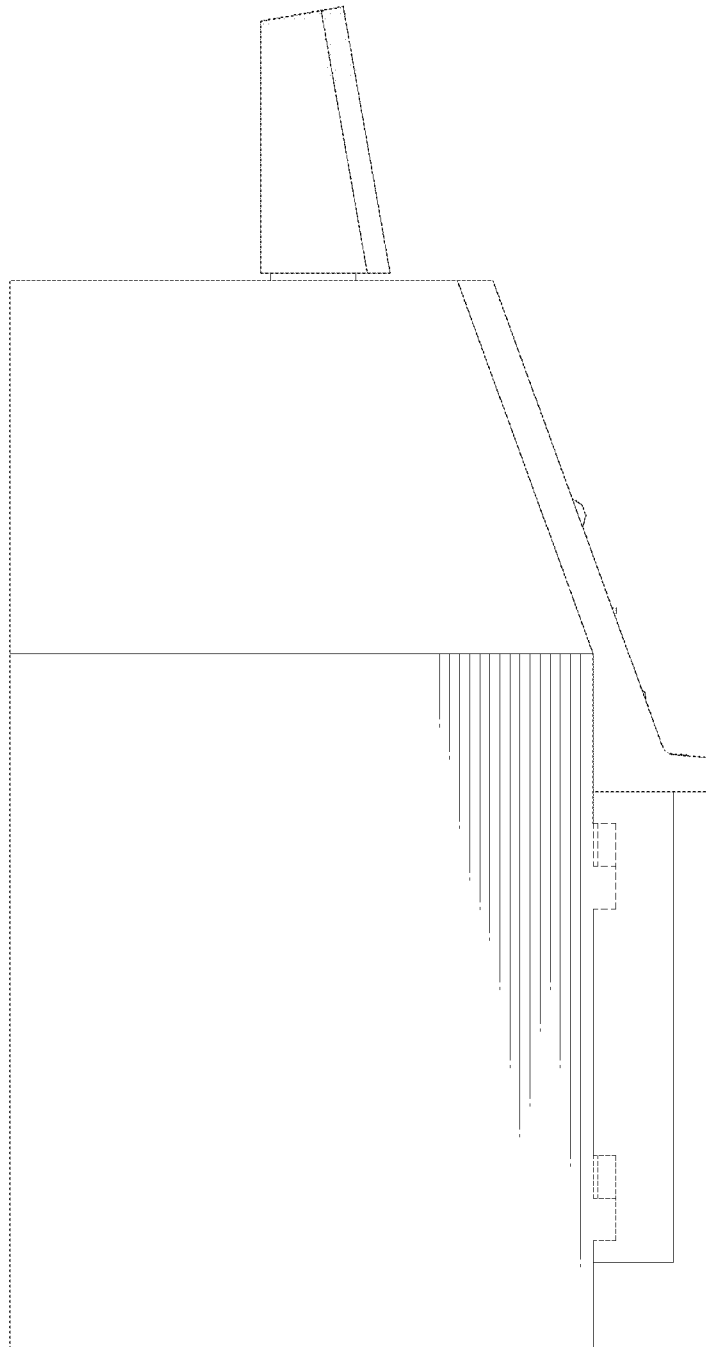


Fig 5

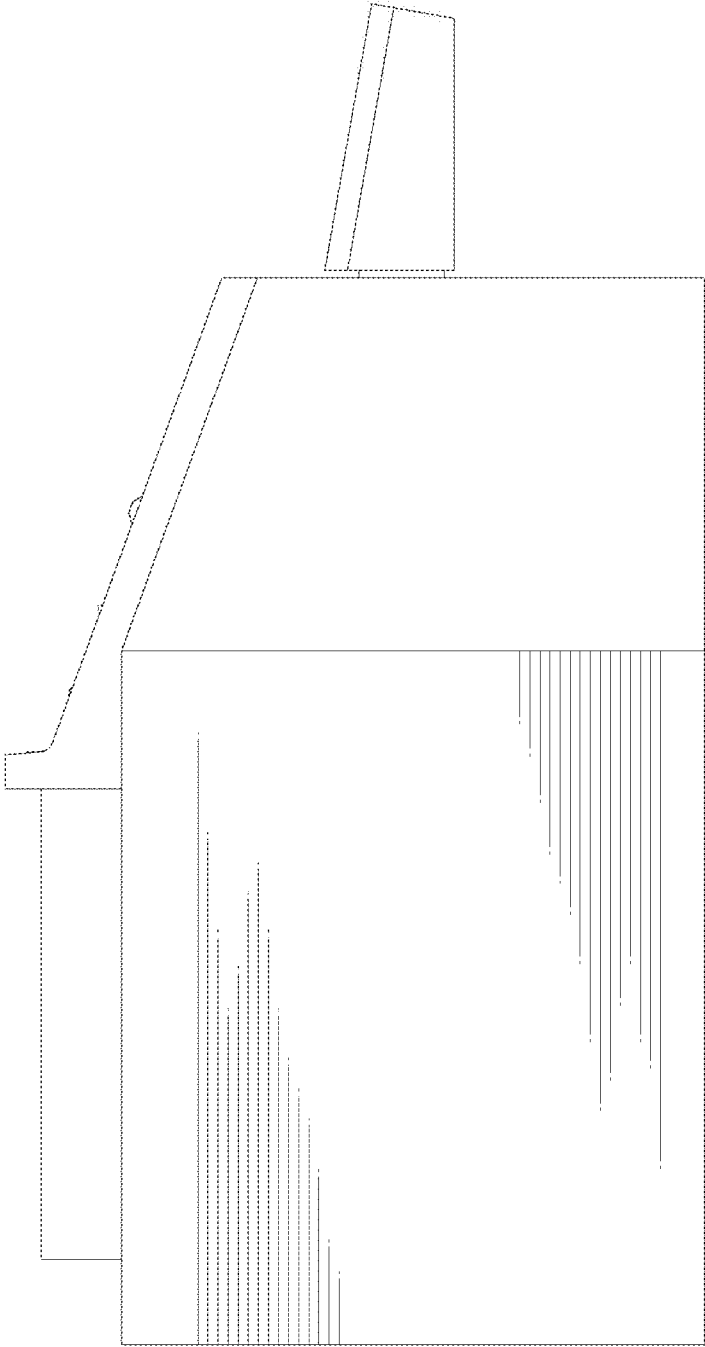


Fig 6

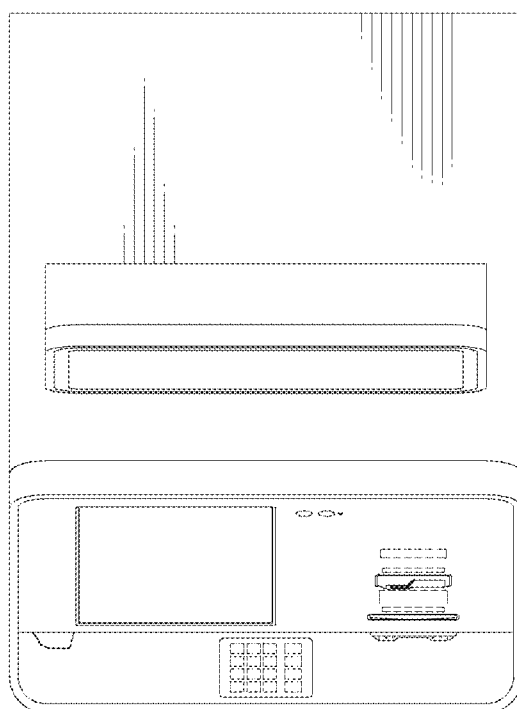


Fig 7

