



US00D699552S

(12) **United States Design Patent**
Wills

(10) **Patent No.:** **US D699,552 S**

(45) **Date of Patent:** **** Feb. 18, 2014**

(54) **ROLLER SHADE CLUTCH COVER**

(71) Applicant: **Norman Wills**, Mississauga (CA)

(72) Inventor: **Norman Wills**, Mississauga (CA)

(**) Term: **14 Years**

(21) Appl. No.: **29/464,920**

(22) Filed: **Aug. 22, 2013**

(30) **Foreign Application Priority Data**

Jun. 5, 2013 (CA) 151564

(51) **LOC (10) Cl.** **08-05**

(52) **U.S. Cl.**
USPC **D8/380**

(58) **Field of Classification Search**

USPC D8/349, 354, 380, 381, 356; 160/323.1,
160/321; 248/267-268; 192/223.4

See application file for complete search history.

(56) **References Cited**

U.S. PATENT DOCUMENTS

D220,829 S *	6/1971	Williams	D8/380
D278,143 S *	3/1985	Hill	D8/354
D290,929 S *	7/1987	Hill	D8/354
D290,930 S *	7/1987	Hill	D8/354
D483,245 S *	12/2003	Harris et al.	D8/349
6,817,402 B1 *	11/2004	Fraczek et al.	160/323.1
D507,141 S *	7/2005	Allsopp	D6/580
D509,394 S *	9/2005	Allsopp	D6/580
D510,853 S *	10/2005	Liao	D8/354
D534,059 S *	12/2006	Goldenberg et al.	D8/354
D630,086 S *	1/2011	Chou	D8/356

OTHER PUBLICATIONS

<http://www.superiorshades.com/RollerShadesClutches#skyline>.*

* cited by examiner

Primary Examiner — Robert M Spear

Assistant Examiner — Eliza Bennett-Hattan

(74) *Attorney, Agent, or Firm* — Laurence P. Colton; Smith Risley Tempel Santos LLC

(57) **CLAIM**

The ornamental design for a roller shade clutch cover, as shown and described.

DESCRIPTION

FIG. 1 is an upper front perspective view of the roller shade clutch cover of the present design.

FIG. 2 is an upper rear perspective view of the roller shade clutch cover of FIG. 1.

FIG. 3 is a front view of the roller shade clutch cover of FIG. 1.

FIG. 4 is a rear view of the roller shade clutch cover of FIG. 1.

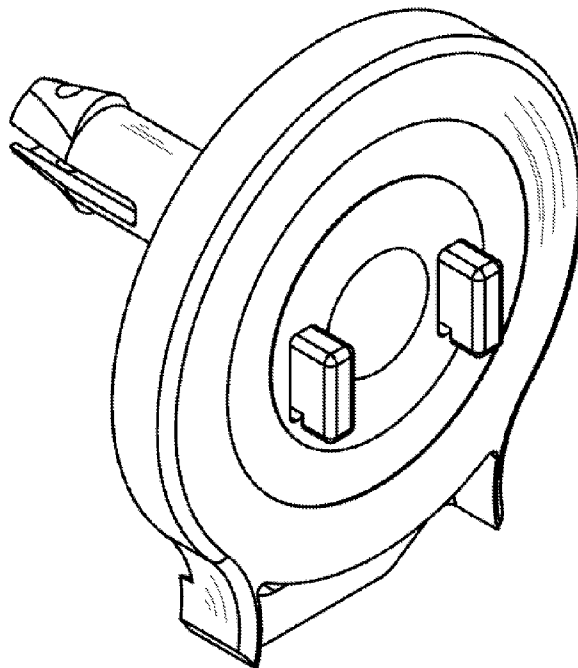
FIG. 5 is a top view of the roller shade clutch cover of FIG. 1.

FIG. 6 is a bottom view of the roller shade clutch cover of FIG. 1.

FIG. 7 is a left side view of the roller shade clutch cover of FIG. 1; and,

FIG. 8 is a right side view of the roller shade clutch cover of FIG. 1.

1 Claim, 8 Drawing Sheets



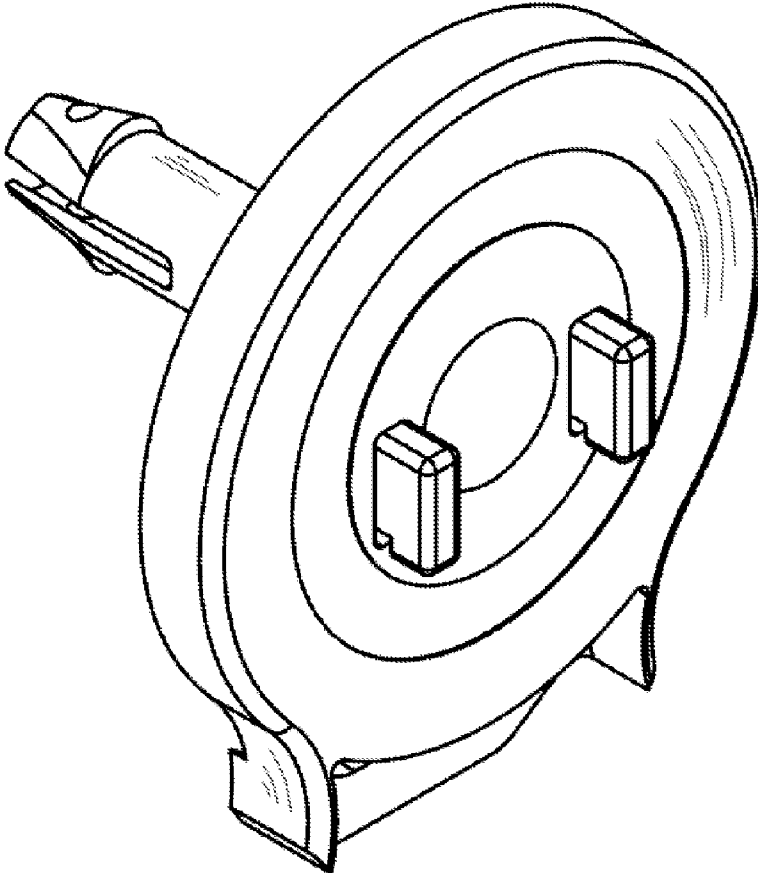


FIG. 1

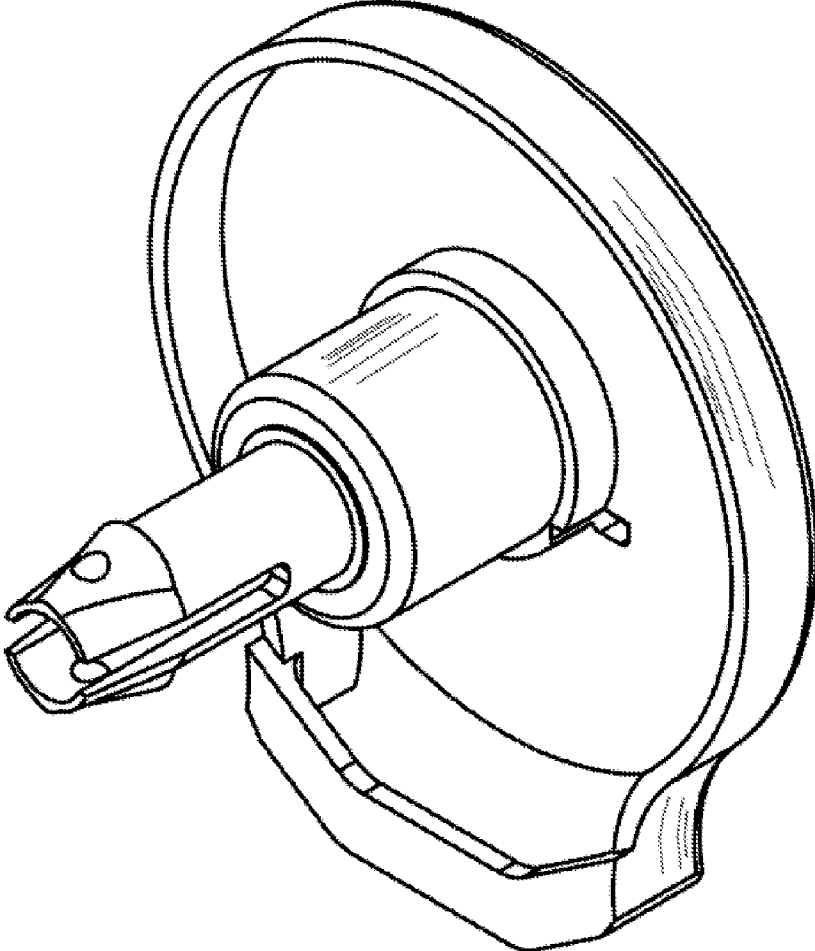


FIG. 2

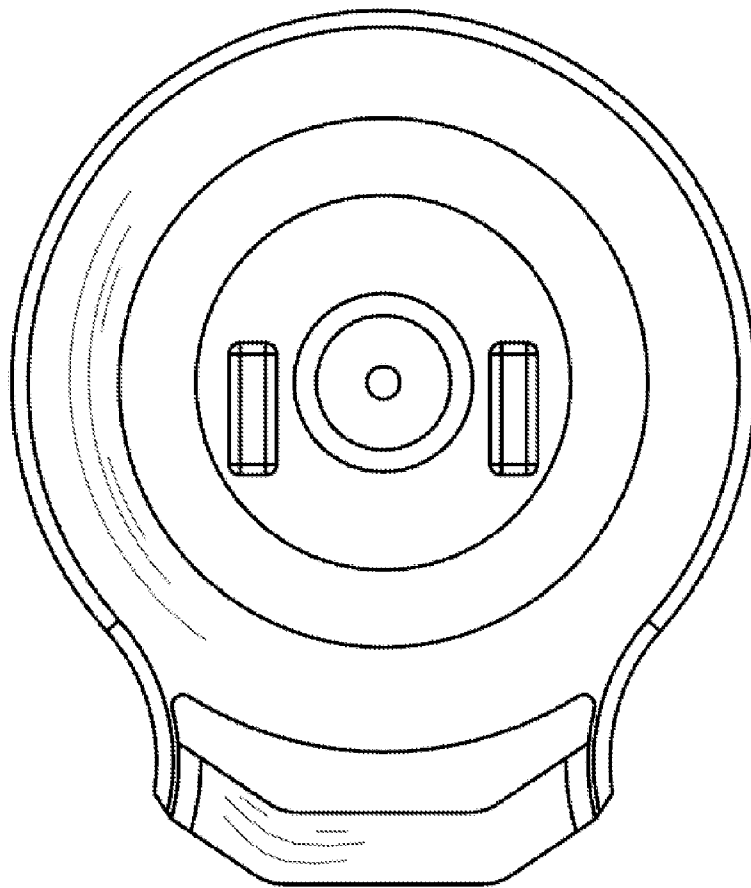


FIG. 3

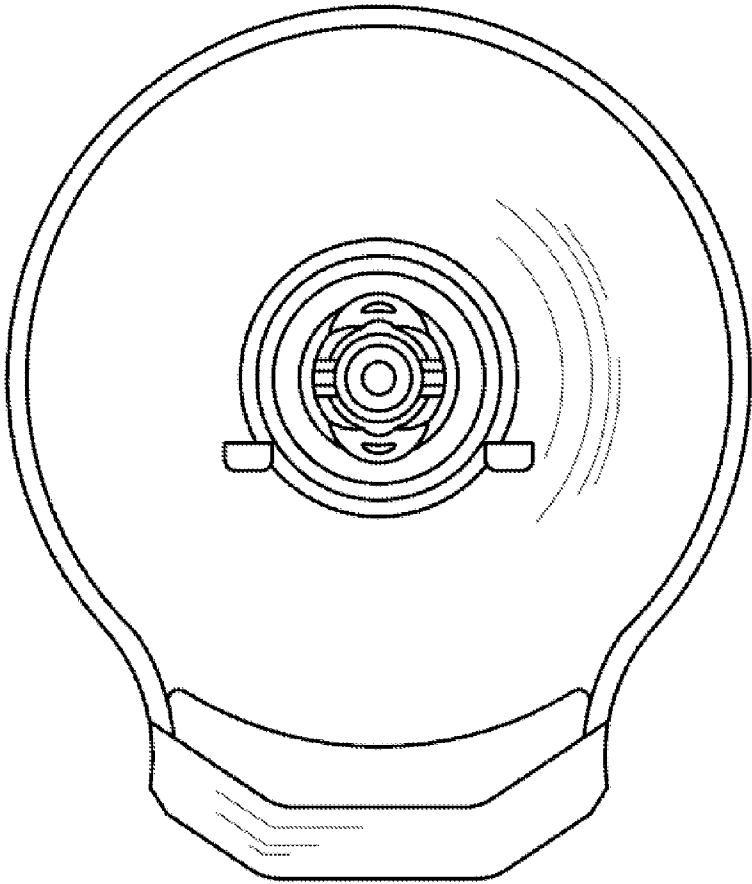


FIG. 4

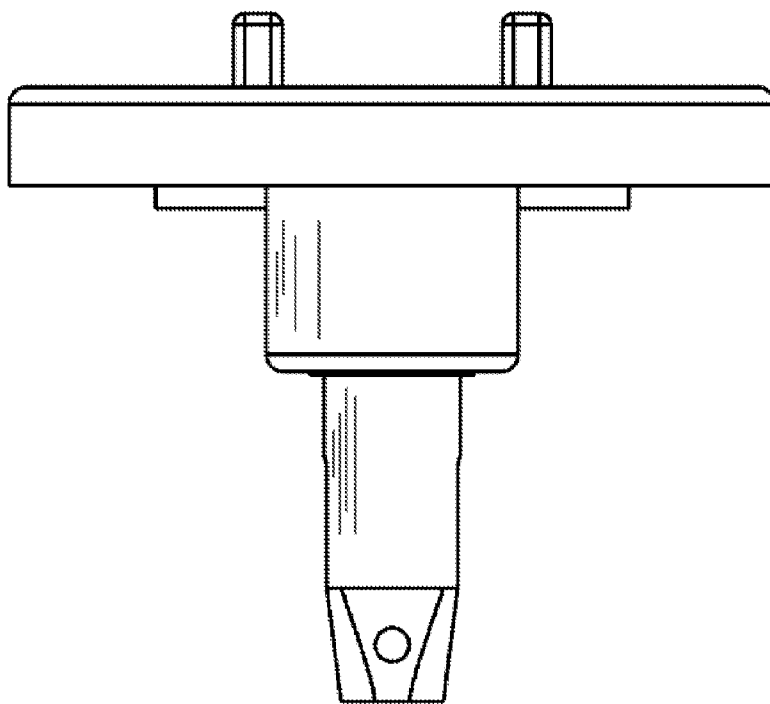


FIG. 5

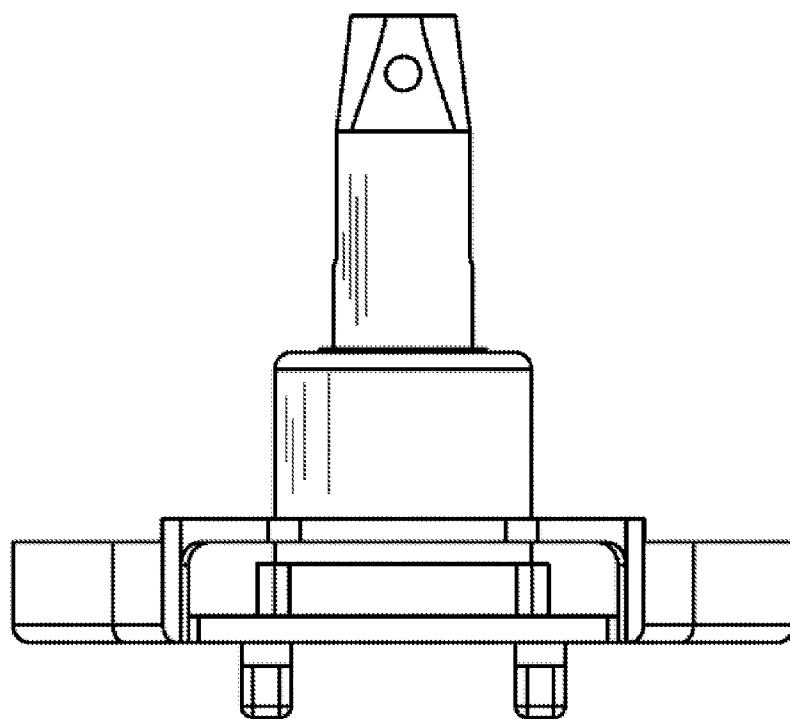


FIG. 6

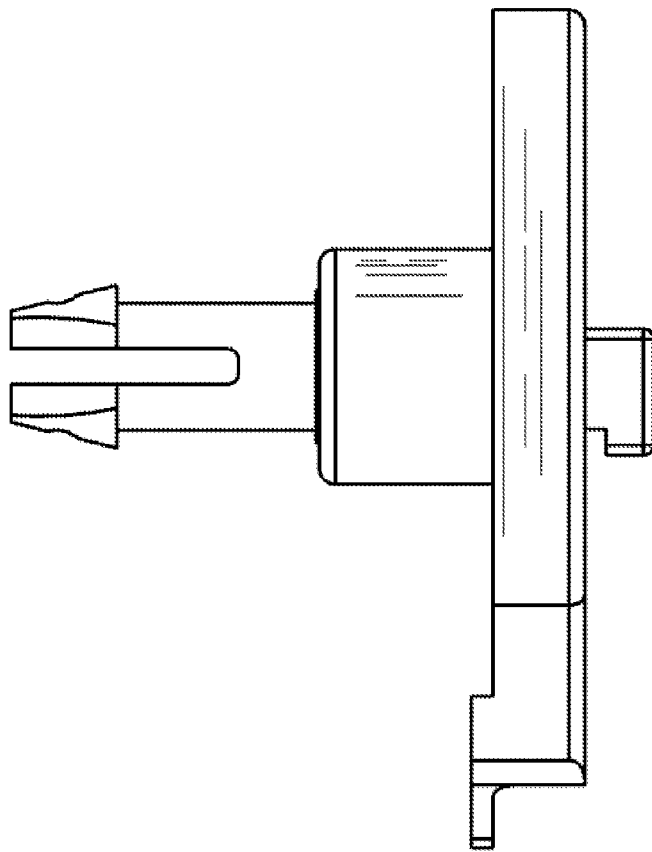


FIG. 7

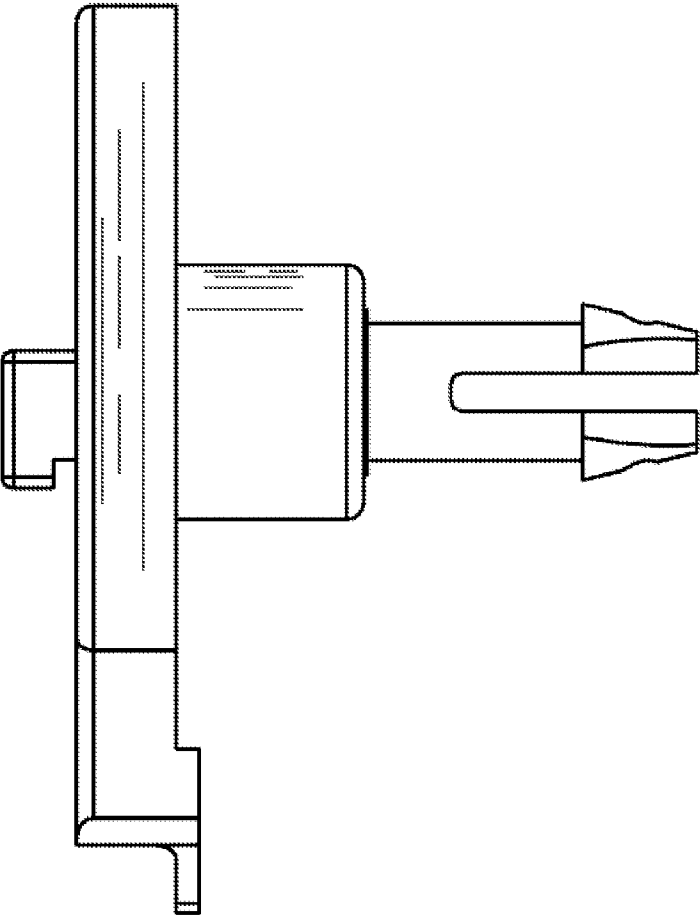


FIG. 8