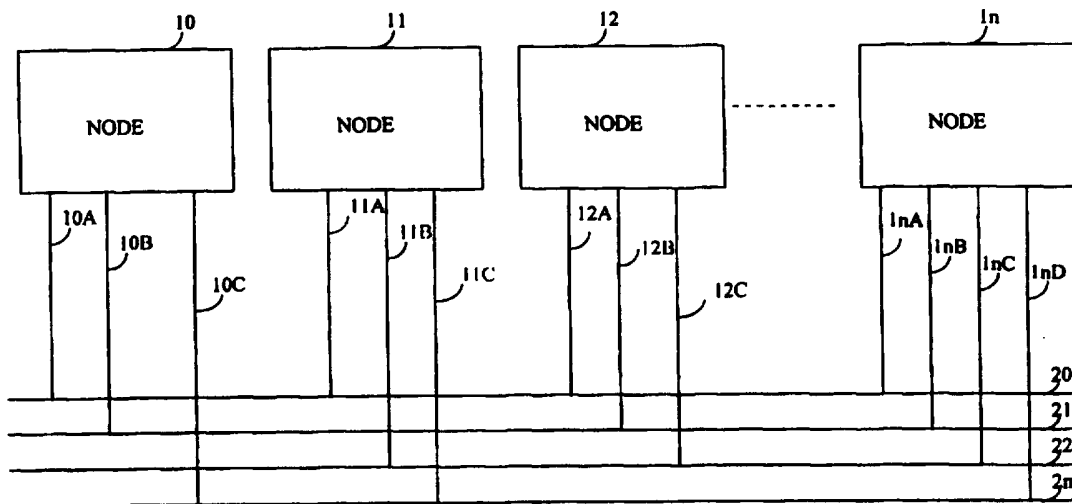




INTERNATIONAL APPLICATION PUBLISHED UNDER THE PATENT COOPERATION TREATY (PCT)

<p>(51) International Patent Classification <sup>6</sup> : <b>H04L 29/06</b></p>	<p><b>A3</b></p>	<p>(11) International Publication Number: <b>WO 96/18256</b> (43) International Publication Date: 13 June 1996 (13.06.96)</p>
<p>(21) International Application Number: PCT/GB95/02886 (22) International Filing Date: 8 December 1995 (08.12.95) (30) Priority Data: 94309231.2 9 December 1994 (09.12.94) EP (34) Countries for which the regional or international application was filed: GB et al. (71) Applicant (for all designated States except US): BRITISH TELECOMMUNICATIONS PUBLIC LIMITED COMPANY [GB/GB]; 81 Newgate Street, London EC1A 7AJ (GB). (72) Inventors; and (75) Inventors/Applicants (for US only): BARKER, Richard, John [GB/GB]; 33 Mill Lane, Trimley St Martin, Ipswich, Suffolk IP10 0RN (GB). LUCKING, Andrew, Michael [GB/GB]; 9 Marshall Close, Grange Farm, Kesgrave, Ipswich, Suffolk IP5 7YB (GB). CHAPMAN, James, Christopher, Tydd [GB/GB]; 6 Hazel Drive, Purdis Farm, Ipswich, Suffolk IP3 8RF (GB). (74) Agent: BRADLEY, David, William; BT Group Legal Services, Intellectual Property Dept., 8th floor, Holborn Centre, 120 Holborn, London EC1N 2TE (GB).</p>		<p>(81) Designated States: AL, AM, AT, AU, BB, BG, BR, BY, CA, CH, CN, CZ, DE, DK, EE, ES, FI, GB, GE, HU, IS, JP, KE, KG, KP, KR, KZ, LK, LR, LS, LT, LU, LV, MD, MG, MK, MN, MW, MX, NO, NZ, PL, PT, RO, RU, SD, SE, SG, SI, SK, TJ, TM, TT, UA, UG, US, UZ, VN, European patent (AT, BE, CH, DE, DK, ES, FR, GB, GR, IE, IT, LU, MC, NL, PT, SE), OAPI patent (BF, BJ, CF, CG, CI, CM, GA, GN, ML, MR, NE, SN, TD, TG), ARIPO patent (KE, LS, MW, SD, SZ, UG).  Published With international search report. (88) Date of publication of the international search report: 6 September 1996 (06.09.96)</p>

(54) Title: MULTI-PROCESSOR ENVIRONMENTS



(57) Abstract

In a multi-processor environment (Figure 2), a plurality of nodes (10, 11, 12) interconnected by a number of networks (10, 21, 22) each run a number of users processes (31, 32, etc., Figure 3) and messages transferred by the processes are transmitted sequentially from a transmitting node to a receiving node using a different network for each datagram to be transferred.

**FOR THE PURPOSES OF INFORMATION ONLY**

Codes used to identify States party to the PCT on the front pages of pamphlets publishing international applications under the PCT.

AT	Austria	GB	United Kingdom	MR	Mauritania
AU	Australia	GE	Georgia	MW	Malawi
BB	Barbados	GN	Guinea	NE	Niger
BE	Belgium	GR	Greece	NL	Netherlands
BF	Burkina Faso	HU	Hungary	NO	Norway
BG	Bulgaria	IE	Ireland	NZ	New Zealand
BJ	Benin	IT	Italy	PL	Poland
BR	Brazil	JP	Japan	PT	Portugal
BY	Belarus	KE	Kenya	RO	Romania
CA	Canada	KG	Kyrgyzstan	RU	Russian Federation
CF	Central African Republic	KP	Democratic People's Republic of Korea	SD	Sudan
CG	Congo	KR	Republic of Korea	SE	Sweden
CH	Switzerland	KZ	Kazakhstan	SI	Slovenia
CI	Côte d'Ivoire	LI	Liechtenstein	SK	Slovakia
CM	Cameroon	LK	Sri Lanka	SN	Senegal
CN	China	LU	Luxembourg	TD	Chad
CS	Czechoslovakia	LV	Latvia	TG	Togo
CZ	Czech Republic	MC	Monaco	TJ	Tajikistan
DE	Germany	MD	Republic of Moldova	TT	Trinidad and Tobago
DK	Denmark	MG	Madagascar	UA	Ukraine
ES	Spain	ML	Mali	US	United States of America
FI	Finland	MN	Mongolia	UZ	Uzbekistan
FR	France			VN	Viet Nam
GA	Gabon				

## INTERNATIONAL SEARCH REPORT

International Application No

PC1/GB 95/02886

A. CLASSIFICATION OF SUBJECT MATTER  
IPC 6 H04L29/06

According to International Patent Classification (IPC) or to both national classification and IPC

## B. FIELDS SEARCHED

Minimum documentation searched (classification system followed by classification symbols)

IPC 6 H04L

Documentation searched other than minimum documentation to the extent that such documents are included in the fields searched

Electronic data base consulted during the international search (name of data base and, where practical, search terms used)

## C. DOCUMENTS CONSIDERED TO BE RELEVANT

Category *	Citation of document, with indication, where appropriate, of the relevant passages	Relevant to claim No.
A	WO,A,84 00860 (WESTERN ELECTRIC CO.) 1 March 1984 see page 6, line 20 - page 8, line 11 see page 9, line 9 - line 18 see page 10, line 25 - page 11, line 9 see figures 2,3	1-15
A	--- US,A,4 947 389 (K.Y.ENG ET AL) 7 August 1990 see column 2, line 26 - line 49 see column 3, line 40 - column 4, line 13 see figure 1	1-15
A	--- EP,A,0 512 174 (SEMAPHORE, INC.) 11 November 1992 see page 3, line 8 - page 4, line 43 -----	1-15

 Further documents are listed in the continuation of box C. Patent family members are listed in annex.

## \* Special categories of cited documents :

- \*A\* document defining the general state of the art which is not considered to be of particular relevance
- \*E\* earlier document but published on or after the international filing date
- \*L\* document which may throw doubts on priority claim(s) or which is cited to establish the publication date of another citation or other special reason (as specified)
- \*O\* document referring to an oral disclosure, use, exhibition or other means
- \*P\* document published prior to the international filing date but later than the priority date claimed

- \*T\* later document published after the international filing date or priority date and not in conflict with the application but cited to understand the principle or theory underlying the invention
- \*X\* document of particular relevance; the claimed invention cannot be considered novel or cannot be considered to involve an inventive step when the document is taken alone
- \*Y\* document of particular relevance; the claimed invention cannot be considered to involve an inventive step when the document is combined with one or more other such documents, such combination being obvious to a person skilled in the art.
- \*&\* document member of the same patent family

Date of the actual completion of the international search

7 May 1996

Date of mailing of the international search report

24.05.96

Name and mailing address of the ISA

European Patent Office, P.B. 5818 Patentlaan 2  
NL - 2280 HV Rijswijk  
Tel. (+ 31-70) 340-2040, Tx. 31 651 epo nl,  
Fax (+ 31-70) 340-3016

Authorized officer

Canosa Areste, C

# INTERNATIONAL SEARCH REPORT

Information on patent family members

International Application No

PCT/GB 95/02886

Patent document cited in search report	Publication date	Patent family member(s)	Publication date
WO-A-8400860	01-03-84	US-A- 4554656	19-11-85
		CA-A- 1204844	20-05-86
		DE-A- 3376945	07-07-88
		EP-A,B 0114882	08-08-84
		JP-T- 59501440	09-08-84
-----			
US-A-4947389	07-08-90	NONE	
-----			
EP-A-512174	11-11-92	US-A- 5426645	20-06-95
-----			