



US00D535784S

(12) **United States Design Patent**
Wonderley et al.

(10) **Patent No.:** **US D535,784 S**

(45) **Date of Patent:** **** Jan. 23, 2007**

(54) **RAZOR CARTRIDGE AND INTERCONNECT**

2005/0193572 A1 * 9/2005 Gilder 30/527
2005/0198841 A1 * 9/2005 Worrick 30/527

(75) Inventors: **Jeffrey W. Wonderley**, Fort Defiance,
VA (US); **Frank Prochaska**,
Waynesboro, VA (US)

* cited by examiner

(73) Assignee: **American Safety Razor Company**,
Verona, VA (US)

Primary Examiner—Jennifer Rivard
(74) *Attorney, Agent, or Firm*—McDermott Will & Emery
LLP

(**) Term: **14 Years**

(57) **CLAIM**

(21) Appl. No.: **29/225,828**

We claim the ornamental design for the razor cartridge and interconnect, substantially as shown and described.

(22) Filed: **Mar. 22, 2005**

DESCRIPTION

(51) **LOC (8) Cl.** **28-03**

(52) **U.S. Cl.** **D28/47**

(58) **Field of Classification Search** D28/44,
D28/44.1, 45-48; 30/32, 34.05, 34.1, 34.2,
30/40, 41, 41.5-41.8, 44-51, 57, 526, 527,
30/530-533, 81, 82, 346.57

See application file for complete search history.

FIG. 1 is a front perspective view of the razor cartridge and interconnect showing the new design;

FIG. 2 is a front view of the razor cartridge and interconnect;

FIG. 3 is a rear view of the razor cartridge and interconnect;

FIG. 4 is a side view of the razor cartridge and interconnect;

FIG. 5 is another side view of the razor cartridge and interconnect;

FIG. 6 is a top view of the razor cartridge and interconnect;

and,

FIG. 7 is a bottom view of the razor cartridge and interconnect.

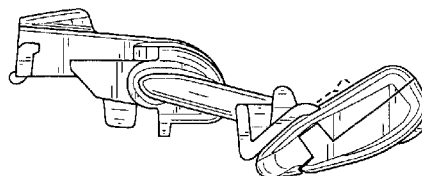
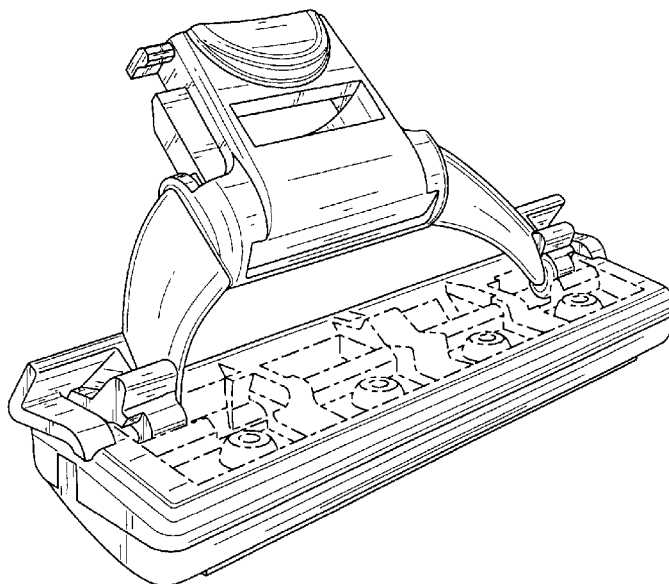
The portions shown with broken lines are for illustrative purposes only and form no part of the claimed design.

(56) **References Cited**

U.S. PATENT DOCUMENTS

6,029,354	A	*	2/2000	Apprille et al.	30/47
6,122,826	A	*	9/2000	Coffin et al.	30/57
D509,321	S	*	9/2005	Gray	D28/46
2003/0066197	A1	*	4/2003	Gilder	30/530

1 Claim, 6 Drawing Sheets



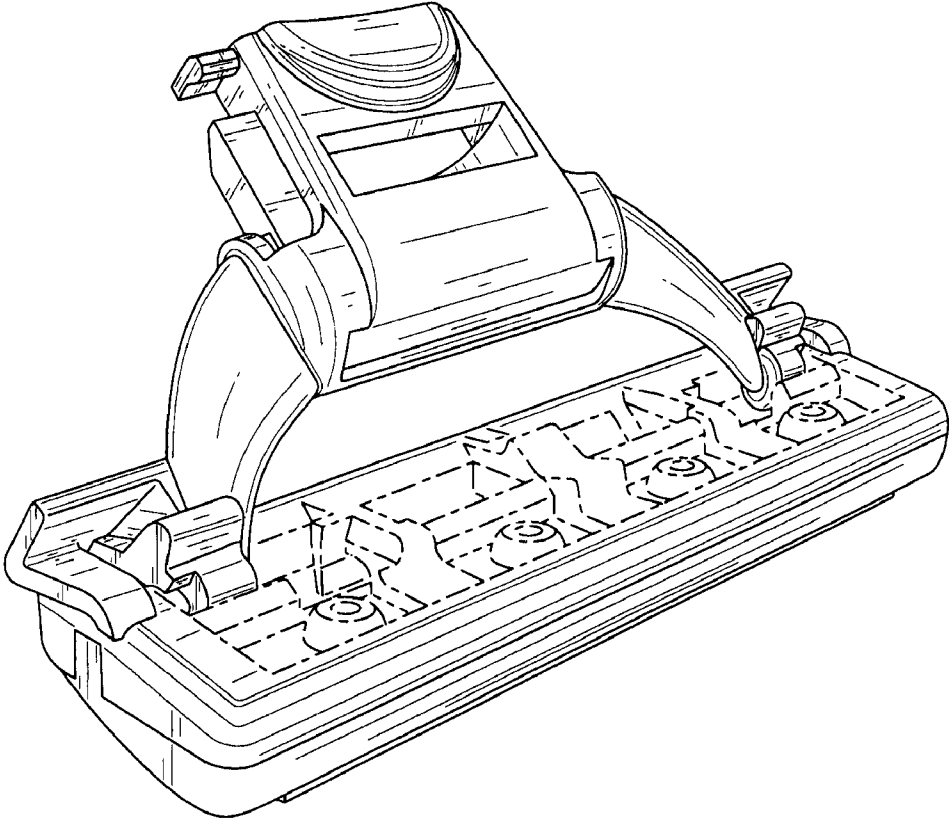


FIG. 1

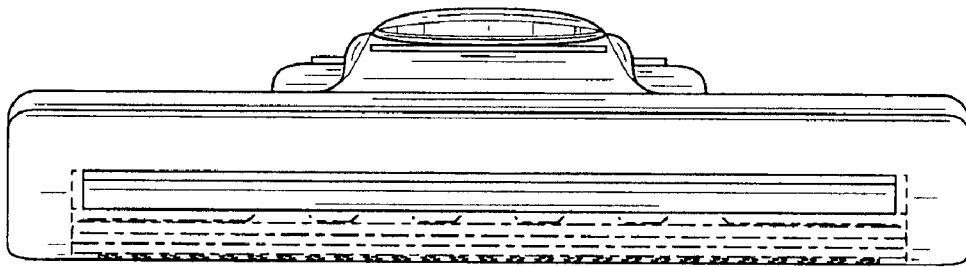


FIG. 2

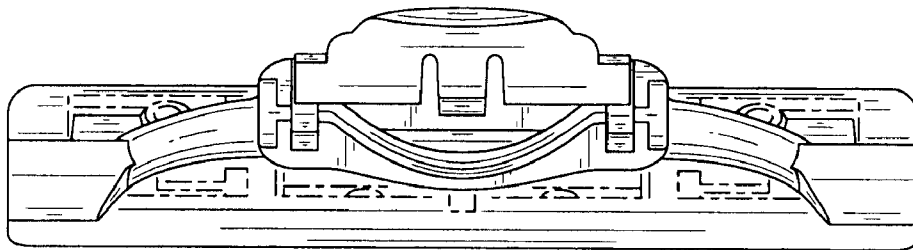


FIG. 3

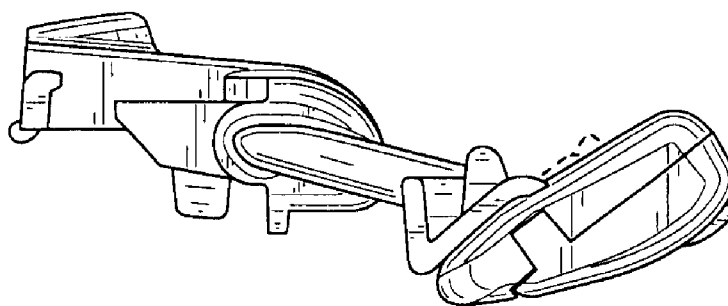


FIG. 4

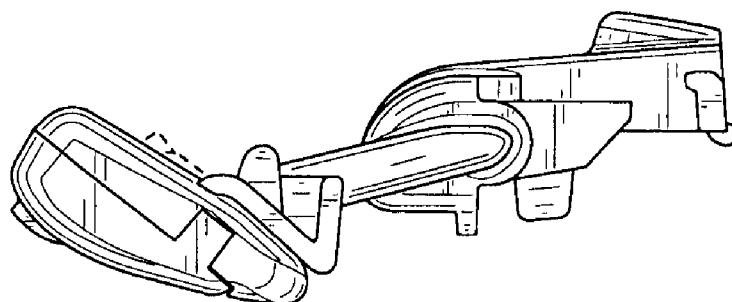


FIG. 5

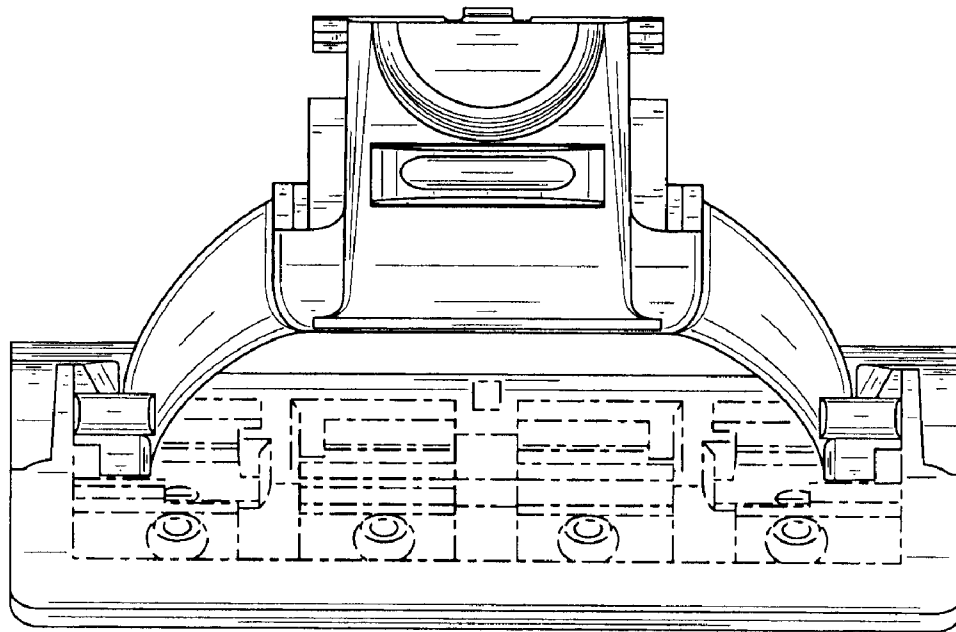


FIG. 6

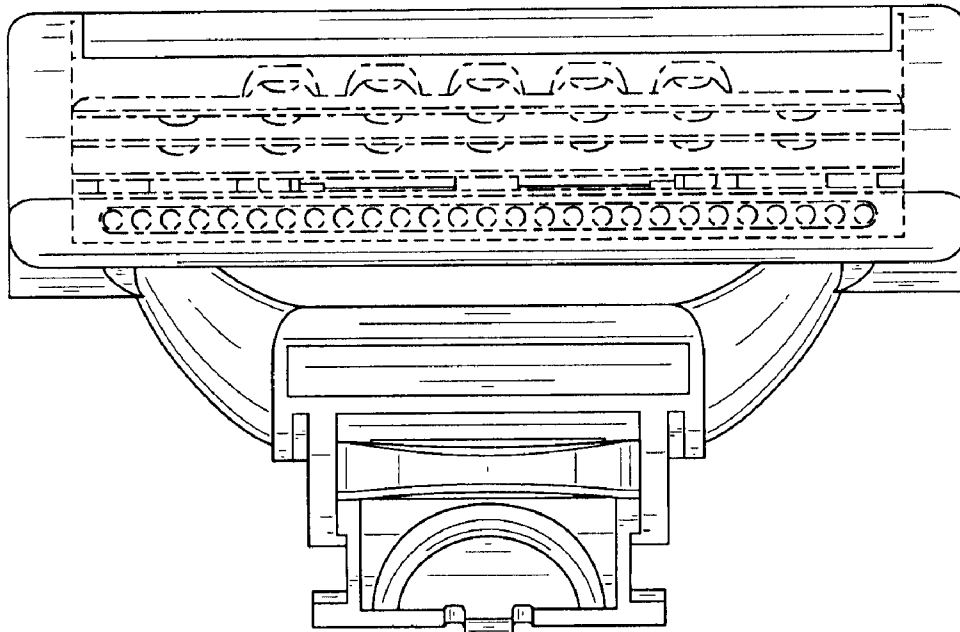


FIG. 7