



(43) International Publication Date  
7 February 2013 (07.02.2013)

(51) International Patent Classification:

A23L 3/005 (2006.01) A23B 4/005 (2006.01)  
A23L 3/01 (2006.01) A23B 4/01 (2006.01)  
A23L 3/16 (2006.01) A23L 3/18 (2006.01)

(21) International Application Number:

PCT/IB2012/053843

(22) International Filing Date:

27 July 2012 (27.07.2012)

(25) Filing Language:

Italian

(26) Publication Language:

English

(30) Priority Data:

VI2011A000210 29 July 2011 (29.07.2011) IT  
VI2012A000114 15 May 2012 (15.05.2012) IT

(71) Applicant (for all designated States except US): **OFFICINE DI CARTIGLIANO S.P.A.** [IT/IT]; Via S. Giuseppe, 2, I-36050 Cartigliano (VI) (IT).

(72) Inventor; and

(75) Inventor/Applicant (for US only): **POLATO, Antonio** [IT/IT]; Via Beato Lorenzino, 84, I-36063 Marostica (VI) (IT).

(74) Agent: **MAROSCIA, Antonio**; Maroscia & Associati S.r.l., Contrà Porti, 21, I-36100 Vicenza (IT).

(81) Designated States (unless otherwise indicated, for every kind of national protection available): AE, AG, AL, AM,

AO, AT, AU, AZ, BA, BB, BG, BH, BN, BR, BW, BY, BZ, CA, CH, CL, CN, CO, CR, CU, CZ, DE, DK, DM, DO, DZ, EC, EE, EG, ES, FI, GB, GD, GE, GH, GM, GT, HN, HR, HU, ID, IL, IN, IS, JP, KE, KG, KM, KN, KP, KR, KZ, LA, LC, LK, LR, LS, LT, LU, LY, MA, MD, ME, MG, MK, MN, MW, MX, MY, MZ, NA, NG, NI, NO, NZ, OM, PE, PG, PH, PL, PT, QA, RO, RS, RU, RW, SC, SD, SE, SG, SK, SL, SM, ST, SV, SY, TH, TJ, TM, TN, TR, TT, TZ, UA, UG, US, UZ, VC, VN, ZA, ZM, ZW.

(84) Designated States (unless otherwise indicated, for every kind of regional protection available): ARIPO (BW, GH, GM, KE, LR, LS, MW, MZ, NA, RW, SD, SL, SZ, TZ, UG, ZM, ZW), Eurasian (AM, AZ, BY, KG, KZ, RU, TJ, TM), European (AL, AT, BE, BG, CH, CY, CZ, DE, DK, EE, ES, FI, FR, GB, GR, HR, HU, IE, IS, IT, LT, LU, LV, MC, MK, MT, NL, NO, PL, PT, RO, RS, SE, SI, SK, SM, TR), OAPI (BF, BJ, CF, CG, CI, CM, GA, GN, GQ, GW, ML, MR, NE, SN, TD, TG).

Published:

- with international search report (Art. 21(3))
- before the expiration of the time limit for amending the claims and to be republished in the event of receipt of amendments (Rule 48.2(h))

(88) Date of publication of the international search report:

25 April 2013

(54) Title: PLANT FOR DECONTAMINATING CURED FOOD PRODUCTS

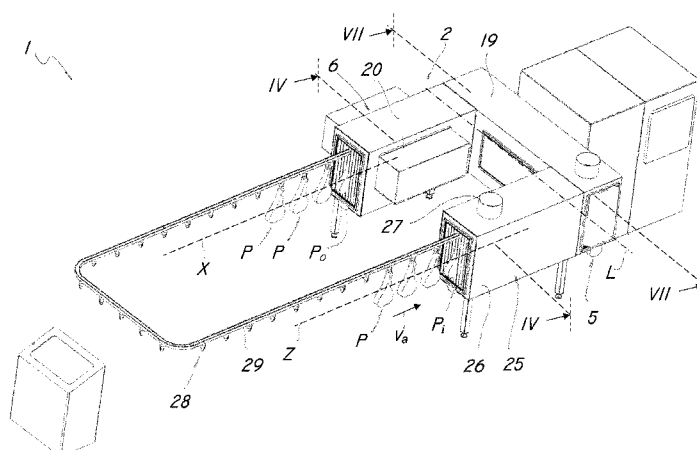


FIG. 1

(57) Abstract: The present invention relates to a plant for decontaminating cured food products (P) comprising a treatment chamber (2) having an inlet port (3) for the products to be treated (Pi) and an outlet port (4) for the treated products (Po) and enclosing there-within, at least partially, an electromagnetic wave generator (5) designed to generate an electromagnetic field to irradiate the products (P) present and bring them up to a first heating predetermined temperature (T<sub>1</sub>) which is lower than the cooking temperature (T<sub>c</sub>) for the products (P) to be treated, and means of surface treatment (6) for the products (P) using hot air having a second predetermined temperature (T<sub>2</sub>), which comprise a hot air generator (7) designed to generate a high-speed hot-air jet directed onto the surface of the products (P) in order to remove the parasite nesting in the surface layers thereof both mechanically and thermally. A method for decontaminating cured food products (P) implementable with the aforesaid plant (1).



INTERNATIONAL SEARCH REPORT

International application No  
PCT/IB2012/053843

A. CLASSIFICATION OF SUBJECT MATTER  
 INV. A23L3/005 A23L3/01 A23L3/16 A23B4/005 A23B4/01  
 A23L3/18  
 ADD.  
 According to International Patent Classification (IPC) or to both national classification and IPC

B. FIELDS SEARCHED  
 Minimum documentation searched (classification system followed by classification symbols)  
 A23L A23B

Documentation searched other than minimum documentation to the extent that such documents are included in the fields searched

Electronic data base consulted during the international search (name of data base and, where practicable, search terms used)  
 EPO-Internal, WPI Data, FSTA, BIOSIS

C. DOCUMENTS CONSIDERED TO BE RELEVANT

Category*	Citation of document, with indication, where appropriate, of the relevant passages	Relevant to claim No.
Y	US 3 906 115 A (JEPPSON MORRIS R) 16 September 1975 (1975-09-16) cited in the application column 7, line 7 - line 13; claim 1; figures 1,4 column 2, line 51 - line 54 -----	1-15
Y	US 6 039 991 A (RUOZI GIUSEPPE [IT]) 21 March 2000 (2000-03-21) cited in the application column 2, line 36 - line 41; claim 1; figures 1, 2 -----	1-15
A	WO 99/13741 A1 (NEWMAN PAUL BERNARD [GB]) 25 March 1999 (1999-03-25) * page 1, lines 3-7; claims 1-27; figure 1 * ----- -/--	1-15

Further documents are listed in the continuation of Box C.

See patent family annex.

\* Special categories of cited documents :

- "A" document defining the general state of the art which is not considered to be of particular relevance
- "E" earlier application or patent but published on or after the international filing date
- "L" document which may throw doubts on priority claim(s) or which is cited to establish the publication date of another citation or other special reason (as specified)
- "O" document referring to an oral disclosure, use, exhibition or other means
- "P" document published prior to the international filing date but later than the priority date claimed

"T" later document published after the international filing date or priority date and not in conflict with the application but cited to understand the principle or theory underlying the invention

"X" document of particular relevance; the claimed invention cannot be considered novel or cannot be considered to involve an inventive step when the document is taken alone

"Y" document of particular relevance; the claimed invention cannot be considered to involve an inventive step when the document is combined with one or more other such documents, such combination being obvious to a person skilled in the art

"&" document member of the same patent family

Date of the actual completion of the international search  8 February 2013	Date of mailing of the international search report  18/02/2013
----------------------------------------------------------------------------------	----------------------------------------------------------------------

Name and mailing address of the ISA/ European Patent Office, P.B. 5818 Patentlaan 2 NL - 2280 HV Rijswijk Tel. (+31-70) 340-2040, Fax: (+31-70) 340-3016	Authorized officer  Diller, Reinhard
----------------------------------------------------------------------------------------------------------------------------------------------------------------------	--------------------------------------------

## INTERNATIONAL SEARCH REPORT

International application No  
PCT/IB2012/053843

C(Continuation). DOCUMENTS CONSIDERED TO BE RELEVANT		
Category*	Citation of document, with indication, where appropriate, of the relevant passages	Relevant to claim No.
A	US 2009/311392 A1 (NEWMAN PAUL BERNARD [US]) 17 December 2009 (2009-12-17) * paragraphs 0001 and 0002; examples 1-3; figure 1; claims 1-27 *	1-15
	-----	
A	EP 2 264 716 A2 (MITSUBISHI HEAVY IND LTD [JP]) 22 December 2010 (2010-12-22) * claims 1-8 *	1-15
	-----	
A	WO 2007/032679 A1 (STORK TOWNSEND BV [NL]; BONTJER MARCUS BERNHARD HUBERT [NL]; MEGGELAAR) 22 March 2007 (2007-03-22) the whole document	1-15
	-----	
A	WO 98/10659 A1 (FRIGOSCANDIA INC [US]) 19 March 1998 (1998-03-19) the whole document	1-15
	-----	
A	US 2006/040029 A1 (GUNAWARDENA RAMESH M [US] ET AL) 23 February 2006 (2006-02-23) the whole document	1-15
	-----	

# INTERNATIONAL SEARCH REPORT

Information on patent family members

International application No PCT/IB2012/053843
---------------------------------------------------

Patent document cited in search report	Publication date	Patent family member(s)	Publication date
US 3906115	A	16-09-1975	NONE
-----			
US 6039991	A	21-03-2000	IT M0980144 A1 03-01-2000 US 6039991 A 21-03-2000
-----			
WO 9913741	A1	25-03-1999	AU 9173698 A 05-04-1999 DE 69834629 T2 26-04-2007 EP 0959696 A1 01-12-1999 US 6165526 A 26-12-2000 WO 9913741 A1 25-03-1999
-----			
US 2009311392	A1	17-12-2009	NONE
-----			
EP 2264716	A2	22-12-2010	EP 2264716 A2 22-12-2010 JP 4796173 B2 19-10-2011 JP 2010286374 A 24-12-2010
-----			
WO 2007032679	A1	22-03-2007	AR 055158 A1 08-08-2007 AU 2006291634 A1 22-03-2007 BR PI0615742 A2 24-05-2011 CA 2620773 A1 22-03-2007 EP 1926385 A1 04-06-2008 JP 5075827 B2 21-11-2012 JP 2009507488 A 26-02-2009 KR 20080050479 A 05-06-2008 NL 1029933 C2 13-03-2007 US 2008250941 A1 16-10-2008 WO 2007032679 A1 22-03-2007
-----			
WO 9810659	A1	19-03-1998	AR 008836 A1 23-02-2000 AU 4420297 A 02-04-1998 EP 0861034 A2 02-09-1998 WO 9810659 A1 19-03-1998
-----			
US 2006040029	A1	23-02-2006	ES 2288364 A1 01-01-2008 US 2006040029 A1 23-02-2006
-----			