

(19) World Intellectual Property Organization
International Bureau



(43) International Publication Date
10 April 2003 (10.04.2003)

PCT

(10) International Publication Number
WO 03/030563 A2

- (51) International Patent Classification⁷: **H04Q 1/14**, 1/10, H05K 7/18
- (21) International Application Number: PCT/US02/29475
- (22) International Filing Date:
16 September 2002 (16.09.2002)
- (25) Filing Language: English
- (26) Publication Language: English
- (30) Priority Data:
09/967,316 28 September 2001 (28.09.2001) US
- (71) Applicant: **ADC TELECOMMUNICATIONS, INC.**
[US/US]; 13625 Technology Drive, Eden Prairie, MN
55344-2252 (US).
- (72) Inventors: **MUSOLF, Bruce, R.**; 4147 Pennsylvania Av-
enue, Eagan, MN 55123 (US). **DEMULLING, Richard,**
T.; 2675 Ryan Drive, Maplewood, MN 55119 (US).
- (74) Agent: **BRUESS, Steven, C.**; Merchant & Gould P.C.,
P.O. Box 2903, Minneapolis, MN 55402-0903 (US).
- (81) Designated States (*national*): AE, AG, AL, AM, AT, AU,
AZ, BA, BB, BG, BR, BY, BZ, CA, CH, CN, CO, CR, CU,
CZ, DE, DK, DM, DZ, EC, EE, ES, FI, GB, GD, GE, GH,
GM, HR, HU, ID, IL, IN, IS, JP, KE, KG, KP, KR, KZ, LC,
LK, LR, LS, LT, LU, LV, MA, MD, MG, MK, MN, MW,
MX, MZ, NO, NZ, OM, PH, PL, PT, RO, RU, SD, SE, SG,
SI, SK, SL, TJ, TM, TN, TR, TT, TZ, UA, UG, UZ, VC,
VN, YU, ZA, ZM, ZW.
- (84) Designated States (*regional*): ARIPO patent (GH, GM,
KE, LS, MW, MZ, SD, SL, SZ, TZ, UG, ZM, ZW),
Eurasian patent (AM, AZ, BY, KG, KZ, MD, RU, TJ, TM),
European patent (AT, BE, BG, CH, CY, CZ, DE, DK, EE,
ES, FI, FR, GB, GR, IE, IT, LU, MC, NL, PT, SE, SK,
TR), OAPI patent (BF, BJ, CF, CG, CI, CM, GA, GN, GQ,
GW, ML, MR, NE, SN, TD, TG).

Published:

— without international search report and to be republished
upon receipt of that report

For two-letter codes and other abbreviations, refer to the "Guid-
ance Notes on Codes and Abbreviations" appearing at the begin-
ning of each regular issue of the PCT Gazette.



WO 03/030563 A2

(54) Title: FRONT ACCESS DSX ASSEMBLY

(57) Abstract: A DXS jack module having removable jacks is disclosed. The jack module includes a jack mount for holding the jacks. The jack module also includes a front facing cross-connect array and a front facing IN/OUT array. A circuit board is electrically connected to the arrays. The circuit board includes portions positioned directly behind the cross-connect array the IN/OUT array. A chassis for holding jack modules is also disclosed. The chassis includes a front door having a double hinge configuration.

FRONT ACCESS DSX ASSEMBLY

This application is being filed as a PCT International Patent Application in the name of ADC Telecommunications, Inc., a U.S. national corporation and resident, on 16 September 2002, designating all countries except US, and claiming
5 priority to U.S. Serial No. 09/967,316 filed on 28 September 2001.

Field of the Invention

The present invention relates generally to telecommunications equipment. More particularly, the present invention relates to digital cross-connect equipment.

10

Background of the Invention

A digital cross-connect system (DSX) provides a location for interconnecting two digital transmission paths. The apparatus for a DSX is located in one or more frames, or bays, usually in a telephone service provider's central office. The DSX apparatus also provides jack access to the transmission paths.

15

DSX jacks are well known and typically include a plurality of bores sized for receiving plugs. A plurality of switches are provided within the bores for contacting the plugs. The jacks are electrically connected to digital transmission lines, and are also electrically connected to a plurality of termination members used to cross-connect the jacks. By inserting plugs within the bores of the jacks, signals
20 transmitted through the jacks can be interrupted or monitored.

20

FIG. 1 schematically illustrates a DSX system that is an example of the type found at a telephone service provider's central office. The DSX system is shown including three DSX jacks 10a, 10b and 10c. Each DSX jack 10a, 10b and 10c is connected to a specific piece of digital equipment. For example, jack 10a is
25 shown connected to digital switch 12, jack 10b is shown connected to office repeater 14a, and jack 10c is shown connected to office repeater 14b. Each piece of digital equipment has a point at which a digital signal can enter, as well as a point at which the digital signal can exit. The jacks 10a, 10b and 10c each include OUT termination pins 16 and IN termination pins 18. The DSX jacks 10a, 10b and 10c
30 are connected to their corresponding pieces of digital equipment by connecting the OUT termination pins 16 to the signals exiting the equipment (i.e., going toward the

DSX system) and the IN termination pins 18 to the signals entering the equipment (i.e., going away from the DSX system).

Referring still to FIG. 1, jacks 10a and 10b are "cross-connected" to one another by semi-permanent connections. The semi-permanent connections
5 extend between cross-connect fields 19 of the jacks 10a and 10b. For example, patch cords 20 connect OUT cross-connect pins of jack 10a to IN cross-connect pins of jack 10b. Similarly, patch cords 21 connect IN cross-connect pins of jack 10a to
10 OUT cross-connect pins of jack 10b. The jacks 10a and 10b are preferably normally closed. Thus, in the absence of a plug inserted within either of the jacks 10a and 10b, an interconnection is provided between the jacks 10a and 10b and therefore
between digital switch 12 and office repeater 14a.

The semi-permanent connection between the digital switch 12 and the office repeater 14a can be interrupted for diagnostic purposes by inserting plugs within the IN or OUT ports of the jacks 10a and 10b. Likewise, patch cords can be
15 used to interrupt the semi-permanent connection between the jacks 10a and 10b to provide connections with other pieces of digital equipment. For example, the digital switch 12 can be disconnected from the office repeater 14a and connected to the office repeater 14b through the use of patch cords 23. The patch cords 23 include
20 plugs that are inserted within the IN and OUT ports of the jack 10a and the IN and OUT ports of the jack 10c. By inserting the plugs within the IN and OUT ports of the jack 10a, the normally closed contacts are opened, thereby breaking the electrical connection with the office repeater 14a and initiating an electrical connection with
office repeater 14b.

Summary of the Invention

25 One embodiment of the present invention relates to a DSX system having a cross-connect field and an IN/OUT field that are accessible from the front of the system.

Another embodiment of the present invention relates to a DSX system having a cross-connect field, an IN/OUT field and a monitor field that are
30 accessible from the front of the system.

Another embodiment of the present invention includes a telecommunications chassis having a double-hinged door for covering selected portions of the chassis.

5 A variety of aspects of the invention are set forth in part in the description that follows, and in part will be apparent from the description, or may be learned by practicing the invention. The aspects of the invention relate to individual features as well as combinations of features. It is to be understood that both the foregoing general description and the following detailed description are exemplary and explanatory only, and are not restrictive of the invention as claimed.

10

Brief Description of the Drawings

FIG. 1 is a schematic diagram of a prior art DSX system;

FIG. 2A is a front perspective view of a DSX system that is an embodiment of the present invention, the system includes a chassis having a bi-fold front door that is shown in an open position;

15

FIG. 2B shows the DSX system of FIG. 2A with one panel of the front door in a closed position;

FIG. 2C shows the DSX system of FIG. 2A with both panels of the front door in closed positions;

20

FIG. 3 is a front exploded view of the chassis of the DSX system of FIG. 2A;

FIG. 4 shows two of the DSX systems of FIG. 2A mounted on a conventional telecommunications rack;

25

FIG. 5A is a front perspective view of one of the DSX jack modules of the DSX system of FIG. 2A;

FIG. 5B is an exploded view of the DSX jack module of FIG. 5A;

FIG. 5C illustrates the DSX jack module of FIG. 5A with the DSX jacks removed;

30

FIG. 5D is a rear view of the DSX jack module of FIG. 5C;

FIGS. 6A and 6B are circuit schematics of odd and even DSX jacks of the DSX jack module of FIG. 5A;

FIG. 7A is front perspective view of a DSX system that is another embodiment of the present invention, a bi-fold front door of the system is shown in an open position;

FIG. 7B shows the DSX system of FIG. 7A with one panel of the bi-fold door in a closed position;

FIG. 7C shows the DSX system of FIG. 7A with both panels of the bi-fold panel in closed positions;

FIG. 8 is an exploded view of the chassis of the DSX system of FIG. 7A;

FIG. 9A is a front perspective view of one of the DSX jack modules of the DSX system of FIG. 7A;

FIG. 9B is an exploded view of the DSX jack module of FIG. 9A;

FIG. 9C shows the DSX jack module of FIG. 9A with the DSX jacks removed;

FIG. 9D is a rear perspective view of the DSX jack module of FIG. 9C; and

FIGS. 10A and 10B are circuit schematics of odd and even DSX jacks of the DSX jack module of FIG. 9A.

Detailed Description

Reference will now be made in detail to exemplary aspects of the present invention that are illustrated in the accompanying drawings. Wherever possible, the same reference numbers will be used throughout the drawings to refer to the same or like parts.

FIGS. 2A-2C illustrate a DSX system 30 that is an embodiment of the present invention. The DSX system 30 includes a chassis 32 for holding a plurality (e.g., 16) of removable jack modules 34. Each of the jack modules 34 includes a jack mount 35 configured to hold a plurality of jacks (e.g., two odd jacks 36 and two even jacks 38). The jack modules 34 also each include a forwardly facing cross-connect block 40 and a forwardly facing IN/OUT block 42. The blocks 40, 42 can also be referred to as panels, arrays or fields. The blocks 40, 42 include a plurality of termination structures such as wire wrap pins 44 or other types of connectors/contacts for terminating a wire (e.g., insulation displacement connectors;

co-axial connectors such as BNC connectors, 1.6/5.6 connectors or SMB connectors; or RJ series connectors such as RJ45 connectors, RJ48 connectors or RJ21 connectors). The chassis 32 of the DSX system 30 includes a front door 46 for covering the cross-connect blocks 40 and the IN/OUT blocks 42.

5 I. Chassis of First Embodiment

FIG. 3 is an exploded view of the chassis 32 of the DSX system 30. The chassis 32 includes top and bottom walls 70, 72 interconnected by left and right sidewalls 73L, 73R. Top and bottom walls 70, 72 and side walls 73L, 73R cooperate to define a chamber or housing for receiving the jack modules 34. The top wall 70 includes a top panel 70' that can be removed to facilitate access to the interior of the housing during insertion or removal of the jack modules 34. Mounting flanges 74 are mounted on the left and right side walls 73L, 73R. The mounting flanges 74 are used to connect the chassis 32 to a conventional telecommunications rack 76 as shown in FIG. 4.

15 It will be appreciated that the chassis 32 is preferably adapted for housing a plurality of jack modules. To conform with conventional international standards, the chassis 32 can have a length of about 19 inches. This embodiment can house, for example, 16 jack modules. Alternatively, in accordance with standard United States specifications, the chassis could be configured to have a length of about 23 inches. This embodiment can house, for example, 21 jack modules. Of course, other sizes of chassis and other numbers of jack modules could also be used.

As indicated previously, the chassis 32 includes front door 46 for covering the cross-connect blocks 40 and the IN/OUT blocks 42 of the jack modules 34. The front door 46 includes a lower panel 48 pivotally connected to the front edge of the bottom wall 72 of the chassis 32 by a lower hinge 50. The front door 46 also includes an upper panel 52 pivotally connected to an upper edge of the lower panel 48 by an upper hinge 54. The hinges 50 and 54 are shown in a horizontal orientation and are oriented parallel to one another. The lower panel 48 is preferably sized to cover the IN/OUT blocks 42 of the DSX system 30, and the upper panel 52 is preferably sized to cover the cross-connect blocks 40 of the DSX system 30. FIG. 2A shows the front cover panel 46 completely open such that both the cross-connect blocks 40 and the IN/OUT blocks 42 are accessible. FIG. 2B shows the front door

46 with only the lower panel 48 closed. The lower panel 48 is held in the closed position by thumbscrews 56 (shown in FIG. 2B) threaded within internally threaded openings 58 defined by front tabs 60 (shown in FIG. 2A) of the chassis 32. In the position of FIG. 2B, the cross-connect blocks 40 can be accessed while the IN/OUT blocks 42 remain protected by the lower panel 48. FIG. 2C shows the front door 46 with both the lower panel 48 and the upper panel 52 in closed positions. The upper panel 52 is held in the closed position by retractable latches 62 (shown in FIGS 2A and 2B) that slide behind front retaining members 64 (shown in FIG. 2A) of the chassis 32 when the upper panel 52 is closed. A circuit designation label can be provided on the door 46 (e.g., on the front face of the upper panel 52 as shown in FIG. 2C).

The chassis 32 also includes cable management structure corresponding to the cross-connect blocks 40 and the IN/OUT blocks 42. For example, the bottom wall 72 of the chassis 32 includes cable tie down loops 75 (shown in FIG. 3) for tying down cables routed to and from the IN/OUT blocks 42. Also, the chassis includes a drop-in, removable divider 77 (shown in FIG. 3) for supporting cables routed to and from the cross-connect panels 40, and for keeping the cross-connect cables separate from the IN/OUT cables. When mounted in the chassis 32, the divider 77 projects forwardly from the blocks 40, 42 and is positioned between the blocks 40, 42. To hold the divider 77 in place, tabs 79a of the divider 77 fit within notches 79b of the chassis 32. The divider 77 functions as a cable support tray for holding cables laterally routed to and from the cross-connect blocks 40.

Referring again to FIG. 3, the chassis 32 includes a power strip cover plate 78 and power strip 80 that are mounted adjacent the top of the chassis 32. The power strip 80 includes a plurality of electrical receptacles 82a electrically connected to a main power connector 84. The electrical receptacles 82a align with and are set behind openings 86 defined by the power strip cover plate 78. Each of the electrical receptacles 82a preferably defines a sleeve ground socket 88a, a power socket 90a, and a power return socket 92a. The main power connector 84 includes conductive pins 94-96. Pin 94 is electrically connected in series with the sleeve ground sockets 88a, pin 95 is electrically connected in series with the power sockets 90a, and pin 96 is electrically connected in series with the power return sockets 92a.

Pins 95 and 96 are electrically connected to a front power panel 100 mounted on the flange 74 located at right side wall 73R. The front power panel 100 includes a power (i.e., battery or voltage) contact 102 wired to pin 95 and a battery/power return contact 104 wired to pin 96. The chassis 32 also includes a sleeve ground panel 106 mounted on the flange 74 located at the left side wall 73L. The sleeve ground panel 106 includes a sleeve ground contact 108 (i.e., a shield ground) that is preferably wired to pin 94 of the main power connector 84. The sleeve ground panel 106 also can include a chassis ground contact 110. In some embodiments, a jumper strap (not shown) can electrically connect the sleeve ground contact 108 to the chassis ground contact 110.

The front power panel 100 and the front sleeve ground panel 106 allow all grounding and power source wiring of the DSX system 30 to be accomplished from the front of the chassis 32. Further, because all of the components of the chassis 32 (e.g., the jacks 36, 38; the cross-connect blocks 40; the IN/OUT blocks 42; the power panel 100; and the sleeve ground panel 106) are accessible from the front of the chassis 32, two of the chassis 32 can be mounted back-to-back in a rack to increase the capacity of the rack.

To mount jack modules 34 within the chassis 32, the front door 46 is opened as shown in FIG. 2A and the jack modules 34 are inserted through the open front end of the chassis 32. The jack modules 34 are inserted rearwardly into the chassis 32 until the jack modules engage a mounting flange 69 (shown in FIG. 3) that projects upwardly from the bottom wall 72 of the chassis 32. Fasteners 127 (shown in FIG 5B) are then inserted through the jack mounts 34 and also through openings 69' defined by the mounting flange 69 to secure lower portions of the jack modules 34 to the chassis 32. To secure upper portions of the jack mounts 34 to the chassis 32, fasteners 127 are inserted through the jack modules 34 and through openings 78' defined by the power strip cover plate 78. After the jack modules 34 have been secured in the chassis 32, the front door 46 is moved to the closed position of FIG. 2C. During the mounting process, the top panel 70' can be removed to facilitate access to the interior of the chassis 32.

To remove the jack mounts 34 from the chassis 32, the door 46 is opened as shown in FIG. 2A and the fasteners 127 are removed. After removal of

the fasteners 127, the jack mounts 34 can be manually pulled from the front of the chassis 32.

II. DSX Jack Module of First Embodiment

5 FIG. 5A shows one of the jack modules 34 in isolation from the remainder of the DSX system 30. The jack module 34 includes the jack mount 35 for holding the jacks 36, 38. The jack module 34 also includes one cross-connect block 40 and one IN/OUT block 42. The cross-connect block 40 and the In/OUT block 42 are preferably formed on a single integral piece of dielectric material (e.g.,
10 plastic) that is removably connected to a lower edge of the jack mount 35 (e.g., by a tongue and groove configuration as disclosed in U.S. Patent No. 6,116,961 that is hereby incorporated by reference). The jack module 34 further includes a printed circuit board 124 for providing electrical connections between the jacks 36, 38 and the wire wrap pins 44 of the cross-connect and IN/OUT blocks 40, 42. A dielectric
15 back piece 126 covers a back side of the printed circuit board 124.

a. Jack Mount

The jack mount 35 of each jack module 34 is preferably configured to removably receive the odd and even DSX jacks 36 and 38. For example, the jacks
20 36 and 38 can be retained within the jack mount 35 by resilient latches 37 as described in U.S. Patent No. 6,116,961. By flexing the latches 37, the jacks 36 and 38 can be manually removed from the jack mount 35. When the jacks 36 and 38 are removed from the jack mount 35, the jacks 36 and 38 are electrically disconnected from the circuit board 124. While the jack module 34 is shown as a “four-pack”
25 (i.e., a module including four jacks), it will be appreciated that alternative modules can include jack mounts sized to receive more or fewer than four jacks.

The jack mount 35 of each jack module 34 includes a plurality of sockets 136 (shown in FIG. 5B) for providing electrical interfaces with the jacks 36, 38 when the jacks 36, 38 are mounted in the jack mounts 35. The sockets 136
30 include contact pins 138 electrically connected directly to the printed circuit board 124.

b. DSX Jacks

Referring to FIG. 5A, each of the jacks 36, 38 includes a front face defining an OUT Port 128, a MONITOR-OUT Port 129, an IN Port 130 and a MONITOR-IN Port 131. The ports 128-131 are sized to receive tip-and-ring plugs. The jacks 36, 38 also define LED ports 132 for receiving tracer lamps. The jacks 36, 38 include electrical contacts 133 corresponding to each of the ports 128-132. The contacts 133 include tails 134 that project rearwardly from each of the jacks 36, 38. When the jacks 36, 38 are inserted within the jack mount 35, the tails 134 of the contacts 133 slide within sockets 136 of the jack mount 34 (best shown in FIG. 5B) to provide electrical connections between the circuit board 124 and the jacks 36, 38. When the jacks 36, 38 are removed from the jack mount 120, the jacks 36, 38 are electrically disconnected from the circuit board 124.

Referring to FIGS. 6A and 6B, the electrical contacts of the jacks 36, 38 include voltage contacts -48V, tracer lamp contacts TL and return contacts RET corresponding to the LED circuits. The electrical contacts also include tip springs T and ring springs R corresponding to the MONITOR-IN and MONITOR-OUT ports. The electrical contacts further include tip-in contacts TI, ring-in contacts RI, cross-connect tip-in contacts XTI and cross-connect ring-in contacts XRI corresponding to the IN ports. The electrical contacts further include tip-out contacts TO, ring-out contacts RO, cross-connect tip-out contacts XTO and cross-connect ring-out contacts XRO corresponding to the OUT ports. The contacts operate in the same manner described in U.S. Patent No. 6,116,961 that was previously incorporated by reference. The contacts TI, RI, XTI and XRI and the contacts TO, RO, XTO and XRO cooperate to define normally "through" or normally "closed" switches.

c. Circuit Board and Back Piece

As shown in FIG. 5B, the circuit board 124 is positioned directly behind the jack mount 35, the cross-connect block 40 and the IN/OUT block 42. The circuit board 124 includes a first portion 124a adjacent to and co-extensive with the back side of the jack mount 35. The first portion 124a includes a plurality of plated through-holes 139 that receive the contact pins 138 of the sockets 136 to provide a direct electrical connection between the circuit board 124 and the pins 138.

The circuit board 124 also includes a second portion 124b adjacent to and co-extensive with the back side of the cross-connect block 40. The second portion 124b includes a plurality of plated through-holes 146 that receive back ends of the wire wrap pins 44 mounted at the cross-connect block 40. This provides a direct electrical connection between the circuit board 124 and the pins 44 of the cross-connect block.

The circuit board 124 further includes a third portion 124c adjacent to and co-extensive with the back side of the IN/OUT block 42. The third portion 124c includes a plurality of plated through-holes 148 that receive the wire wrap pins 44 of the IN/OUT block 42 to provide a direct electrical connection between the circuit board 124 and the pins 44.

The back piece 126 of each jack module 34 is preferably made of a dielectric material and is sized to cover the back side of the circuit board 124. The back piece 126 defines a plug 82b that electrically connects with a corresponding one of the receptacles 82a of the chassis 32 when the jack mounts 34 are mounted in the chassis 32. The plugs 82b include sleeve ground pins 88b, power/voltage pins 90b and power return pins 92b that are respectively received in the sleeve ground sockets 88a, the power sockets 90a, and the power return sockets 92a of the receptacles 82a when the plugs 82b and the receptacles 82a are coupled. The pins 88b, 90b and 92b are connected directly to the circuit board 124 (e.g., the pins extend within plated through-holes 93 defined by the circuit board 124).

Referring to FIGS. 6A and 6B, the circuit board 124 includes tracings 290 that electrically connect the wire wrap pins 44 of the IN/OUT block 42 to sockets corresponding to the contacts TI, RI, TO and RO of the jacks 36, 38. The circuit board 124 also includes tracings 292 that provide electrical connections between the wire wrap pins 44 of the cross-connect block 40 and sockets corresponding to contacts XTI, RTI, XTO and XRO of the jacks 36, 38. Additionally, the circuit board 124 includes tracings 294 for electrically connecting the wire wrap pins 44 to the sockets corresponding to the contacts of the MONITOR ports of the jacks 36, 38. Further, the circuit board 124 includes tracings 296 for connecting the sleeve ground pins 88b to sockets corresponding to the sleeve ground contacts SG of the jacks 36, 38; tracings 298 for connecting tracer lamp pins of the cross-connect panels 40 to sockets corresponding to the tracer lamp contacts TL of the jacks 36,

38; tracings 100 for connecting power pins 90b to sockets corresponding to the voltage contacts -48V of the jacks 36, 38; and tracings 102 for connecting power return pins 92b to sockets corresponding to the return contacts RET of the jacks 36, 38.

5

d. Cross-Connect Block and IN/OUT Block

Referring to FIG. 5B, the cross-connect block 40 and the IN/OUT block 42 of each jack module 34 can include a one-piece support structure 147 preferably made of a dielectric material such as plastic. The support structure
10 defines a first field or array of openings 143 for receiving the wire wrap pins 44 of the cross-connect block 40. The support structure also defines a second field or array of openings 145 for receiving the wire wrap pins 44 of the IN/OUT block 42. The pins 44 are preferably press fit or staked through the openings 143, 145 and preferably have rear ends that project rearwardly from the support structure. The
15 rear ends of the pins 42 preferably terminate at the circuit board 124 to provide an electrical connection therewith.

e. Assembly of Jack Mount

The jack module 34 is assembled by press fitting contact pins 138
20 into the sockets 136 of the jack mount 35, staking the wire termination pins 44 of the cross-connect block 40 through openings 143 of the support structure 147 and staking the wire termination pins 44 of the OUT/IN block 42 through the openings 145 of the support structure 147. After the pins 138 and 44 have been press fit or staked within their respective components, the support structure 147 is connected to
25 a bottom edge of the jack mount 35 (e.g., by a snap-fit connection). In other embodiments, the jack mount 35 and the support structure 147 can be formed as a single integral piece. Once the support structure 147 and the jack mount 35 have been connected, the resultant piece is mechanically and electrically connected to the circuit board 124 by inserting rear ends of pins 138, 44 within their corresponding
30 plated through holes 139, 146 and 148 defined by the circuit board 124. The rear ends of the pins 138, 44 can be soldered in the board 124 to further secure the connections. Pins 88b, 90b and 92b are also inserted within their corresponding plated-through holes 93 defined by the circuit board 124. The back cover piece 126

is then placed over the back side of the circuit board 124 and fasteners 127 (shown in FIG. 5B) are used to secure the assembly together. As described above, the fasteners 127 also function to secure the jack modules 34 within the chassis 32.

5 III. Use of DSX System

It will be appreciated that the DSX system 30 operates in the same manner as a conventional DSX system. The IN/OUT blocks 42 allow the jacks 36, 38 to be connected to pieces of digital equipment. The cross-connect blocks 40 allow the jacks 36, 38 to be cross-connected by semi-permanent jumpers. The jacks 10 36, 38 provide normally-through connections between the digital equipment connected to the IN/OUT blocks 42 and the cross-connect blocks 40. By inserting patch plugs in the MONITOR ports of the jacks 36, 38, signals passing through the jacks 36, 38 can be monitored without interrupting the signals. The tracer lamp circuits allow the cross-connected jacks being monitored to be traced as is described 15 in U.S. Patent No. 6,116,961. Plugs can be inserted in the IN or OUT ports of the jacks 36, 38 for testing or diagnostic purposes, or for re-routing signals to different pieces of digital equipment.

20 IV. Alternative Embodiment

FIGS. 7A-7C show a DSX system 30' that is another embodiment of the present invention. Many of the components of the DSX system 30' are identical to components of the DSX system 30. These identical components have been assigned identical reference numbers.

The DSX system 30' The DSX system 30 includes a chassis 32' for 25 holding a plurality (e.g., 16) of removable jack modules 34'. Each of the jack modules 34' includes a jack mount 35 configured to hold a plurality of jacks (e.g., two odd jacks 36 and two even jacks 38). The jack modules 34' also each include a forwardly facing cross-connect array 40 and a forwardly facing IN/OUT array 42 and a forwardly facing MONITOR array 43. The arrays 40, 42 and 43 include a 30 plurality of termination structures such as wire wrap pins 44 or other types of connectors/contacts for terminating a wire (e.g., insulation displacement connectors or other connectors). The chassis 32' of the DSX system 30' includes a front door 46' for covering the cross-connect array 40, the IN/OUT array 42 and the

MONITOR array 43. The door 46' is the same as the door 46 of FIGS. 2A-2C except lower panel 48' has been enlarged as compared to panel 48 so as to be sized to cover both the IN/OUT array 42 and the MONITOR array 43. As is apparent from FIG. 8, except for the height, the remainder of the chassis 32' is the same as the chassis 32 of FIG. 3.

Referring to FIGS. 9A-9D, the jack module 34' has the same configuration as the jack module 34 of FIGS. 5A-5D except for the addition of the MONITOR array 43. The arrays 40, 42 and 43 are all provided on a one-piece support structure 147' that removably connects to the jack mount 35. The wire wrap pins 44 of the arrays 40, 42 and 43 are staked through the support structure 147' and have rear ends electrically and mechanically terminated at circuit board 124'. Circuit board 124 is elongated as compared to circuit board 124 so as to complement the increased length of the support structure 147' caused by the addition of the MONITOR array 43. As shown in FIGS. 10A and 10B, the circuit board 124' includes tracings 300 for connecting the wire wrap pins 44 of the MONITOR array 43 to the tracings 290. The MONITOR array 43 allows IN and OUT signals passing through the jack module 34' to be permanently monitored. As previously described, the IN and OUT signals can also be monitored by inserting plugs in the MONITOR-IN or MONITOR-OUT ports of the jacks 36, 38.

The above specification, examples and data provide a complete description of the manufacture and use of the composition of the invention. Since many embodiments of the invention can be made without departing from the spirit and scope of the invention, the invention resides in the claims hereinafter appended.

WE CLAIM:

1. A telecommunications device comprising:
 - a jack module having a front side and a back side, the jack module including:
 - a jack mount;
 - a plurality of jacks adapted to be mounted to the jack mount, the jacks including ports adapted for receiving plugs, the jacks including switches for contacting the plugs when the plugs are inserted within the ports, the ports being located at the front side of the jack module when the jacks are mounted to the jack mount;
 - a cross-connect array including termination structures located at the front side of the jack module;
 - an IN/OUT array including termination structures located at the front side of the jack module; and
 - a circuit board including a first portion located behind the jack mount, a second portion located behind the cross-connect array and a third portion located behind the IN/OUT array, the second portion of the circuit board being electrically connected to the termination structures of the cross-connect array, and the third portion of the circuit board being electrically connected to the termination structures of the IN/OUT array.
2. The telecommunications device of claim 1, wherein the jacks include conductive tails, wherein the jack mount includes sockets for receiving the conductive tails when the jacks are mounted to the jack mount, wherein the circuit board electrically connects the termination structures of the cross-connect array and the IN/OUT array to the sockets, and wherein the sockets include contact members terminated at the first portion of the circuit board.
3. The telecommunications device of claim 1 or 2, wherein the termination structures include wire termination pins, wherein the wire termination pins of the cross-connect array have rear ends terminated at the second portion of the circuit board, and wherein the wire termination pins of the IN/OUT array have rear ends terminated at the third portion of the circuit board.

4. The telecommunications device of claim 1, wherein the switches are normal-through switches that normally provide a through electrical connection between the cross-connect array and the IN/OUT array.
5. The telecommunications device of claim 1, wherein the termination structures of the cross-connect array and the IN/OUT array are supported by a single-piece support structure.
6. The telecommunications device of claim 1, further comprising a monitor array including termination structures located at the front side of the jack module.
7. The telecommunications device of claim 6, wherein the circuit board includes a fourth portion located behind the monitor array, the fourth portion being electrically connected to the monitor array.
8. The telecommunications device of claim 6, wherein the termination structures of the cross-connect array, the IN/OUT array and the monitor array are supported by a single piece support structure.
9. A telecommunications device comprising:
 - a chassis having a front side;
 - a plurality of jacks mounted in the chassis, the jacks including ports adapted for receiving plugs, the jacks including switches for contacting the plugs when the plugs are inserted within the ports, the ports being located at the front side of the chassis;
 - cross-connect termination structures located at the front side of the chassis;
 - IN/OUT termination structures located at the front side of the chassis;and
 - a circuit board including a first portion located behind the jacks, a second portion located behind the cross-connect termination structures and a third portion located behind the IN/OUT termination structures.

10. The telecommunications device of claim 9, further comprising a jack mount in which the jacks are removably mounted, wherein the jacks include conductive tails, wherein the jack mount includes sockets for receiving the conductive tails when the jacks are mounted to the jack mount, wherein the circuit board electrically connects the cross-connect termination structures and the IN/OUT termination structures to the sockets, and wherein the sockets include contact members connected directly to the first portion of the circuit board.

11. The telecommunications device of claim 9 or 10, wherein the cross-connect termination structures and the IN/OUT termination structures include wire termination pins, wherein the cross-connect wire termination pins have rear ends connected directly to the second portion of the circuit board, and wherein the IN/OUT wire termination pins have rear ends connected directly to the third portion of the circuit board.

12. The telecommunications device of claim 9, wherein the switches are normal-through switches that normally provide a through electrical connection between the cross-connect termination structures and the IN/OUT termination structures.

13. The telecommunications device of claim 9, wherein the cross-connect termination structures and the IN/OUT termination structures are supported by a single-piece support structure.

14. The telecommunications device of claim 9, further comprising monitor termination structures located at the front side of the chassis.

15. The telecommunications device of claim 14, wherein the circuit board includes a fourth portion located behind the monitor termination structures, the fourth portion being electrically connected directly to the monitor termination structures.

16. The telecommunications device of claim 14, wherein the cross-connect termination structures, the IN/OUT termination structures and the monitor termination structures are supported by a single piece support structure.

17. The telecommunications device of claim 9, further comprising a front door including a first panel pivotally connected to the chassis and a second panel pivotally connected to the first panel.
18. The telecommunications device of claim 17, wherein the first panel is pivotally connected to a lower wall of the chassis by a first hinge, wherein the second panel is pivotally connected to a top edge of the first panel by a second hinge, and wherein the first and second hinges are horizontal.
19. The telecommunications device of claim 17, wherein the first panel is adapted to cover the IN/OUT termination structures and the second panel is adapted to cover the cross-connect termination structures.
20. The telecommunications device of claim 14, further comprising a front door including a first panel pivotally connected to the chassis and a second panel pivotally connected to the first panel, the first panel being sized to cover the IN/OUT termination structures and the monitor termination structures, and the second panel being sized to cover the cross-connect termination structures.
21. The telecommunications device of claim 17, further comprising a removable cable support tray mounted between the cross-connect termination structures and the IN/OUT termination structures.
22. The telecommunications device of claim 9, further comprising contacts accessible from the front of the chassis, the contacts including a sleeve ground contact, a voltage contact and a voltage return contact.
23. The telecommunications device of claim 22, wherein the voltage contact and the voltage return contact are located on a mounting flange of the chassis.
24. The telecommunications device of claim 22, wherein the sleeve ground contact is located on a mounting flange of the chassis.

25. A telecommunications device comprising:
a chassis;
a door for covering first and second portions of the chassis, the door including a first panel adapted to cover the first portion of the chassis and a second panel adapted to cover the second portion of the chassis, the first panel being pivotally connected to the chassis by a first hinge and the second panel being pivotally connected to the first panel by a second hinge.
26. The telecommunications device of claim 25, further comprising a first termination field located at the first portion of the chassis and a second termination field located at the second portion of the chassis.
27. The telecommunications device of claim 25, wherein the chassis includes top and bottom walls, and wherein the first hinge connects the first panel to the bottom wall of the chassis.
28. The telecommunications device of claim 26, further comprising a removable cable management tray mounted between the first and second termination fields.

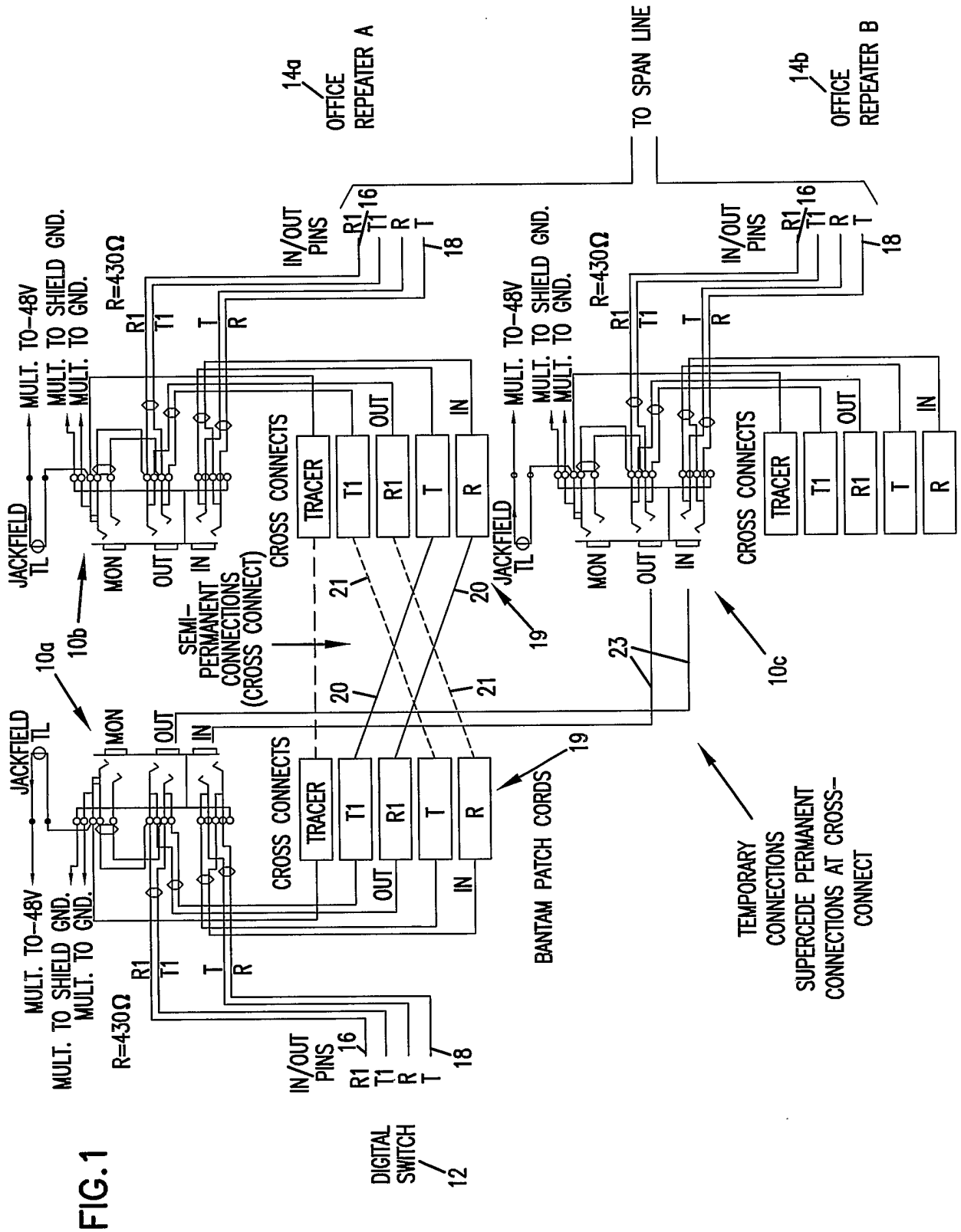
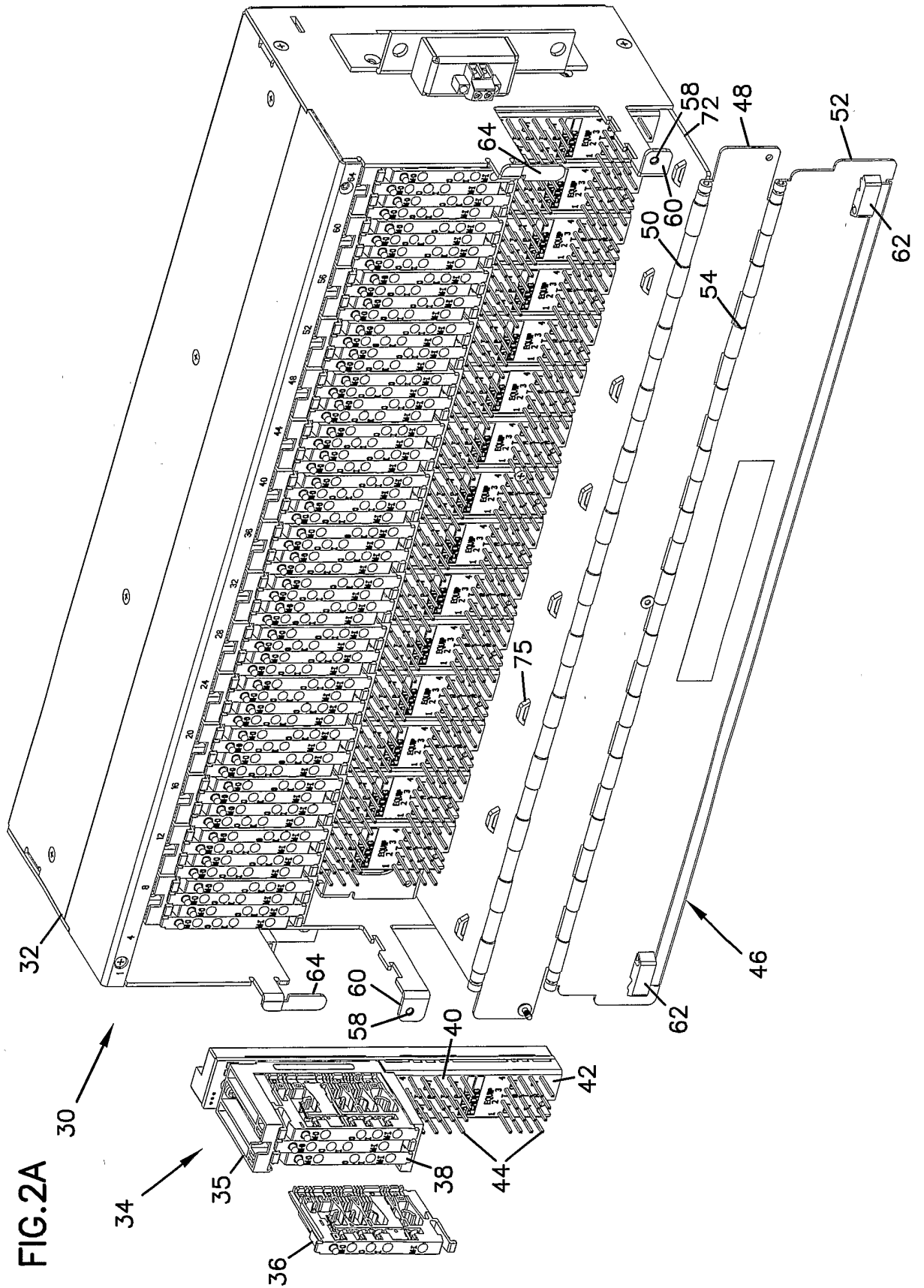


FIG.1



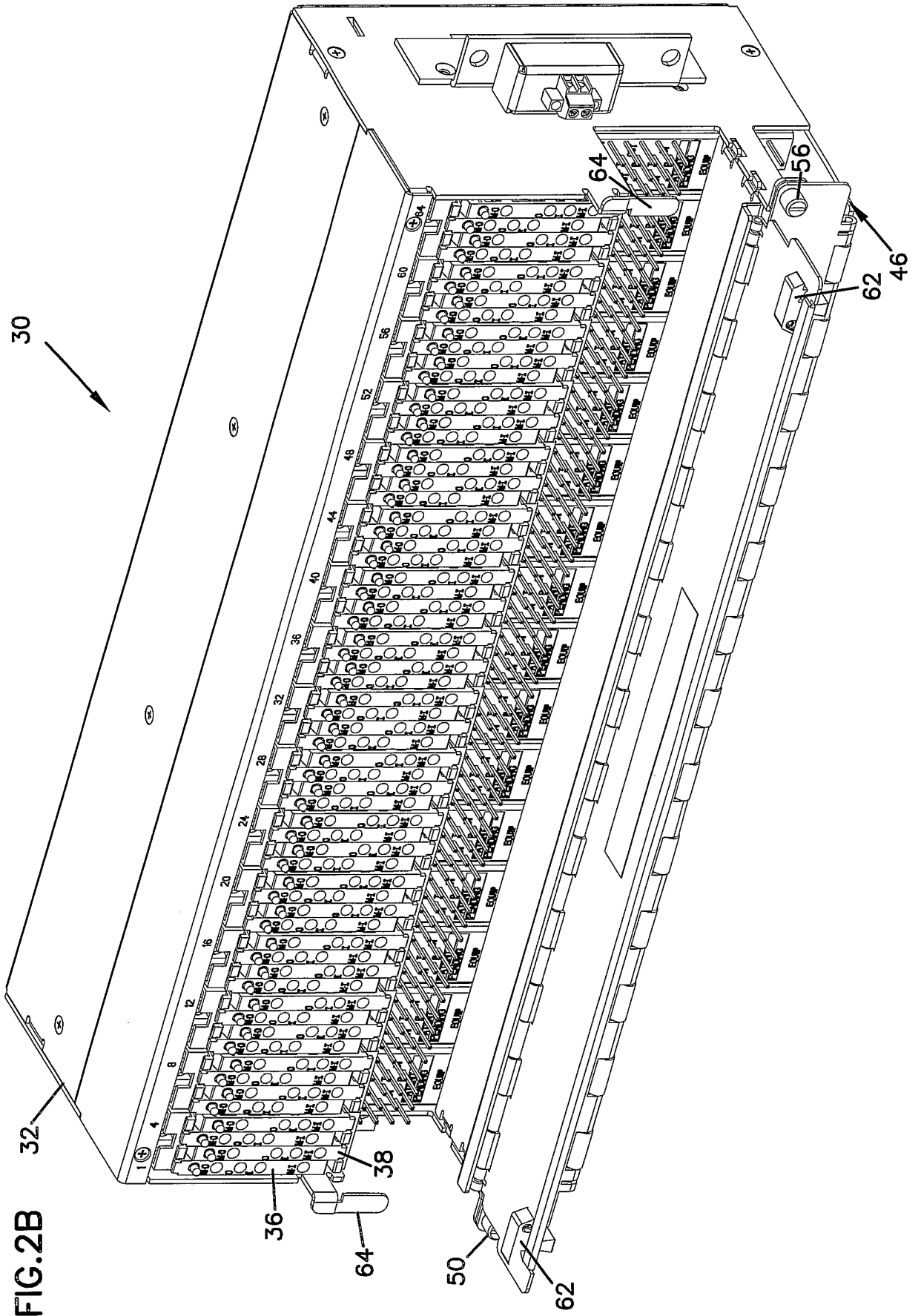
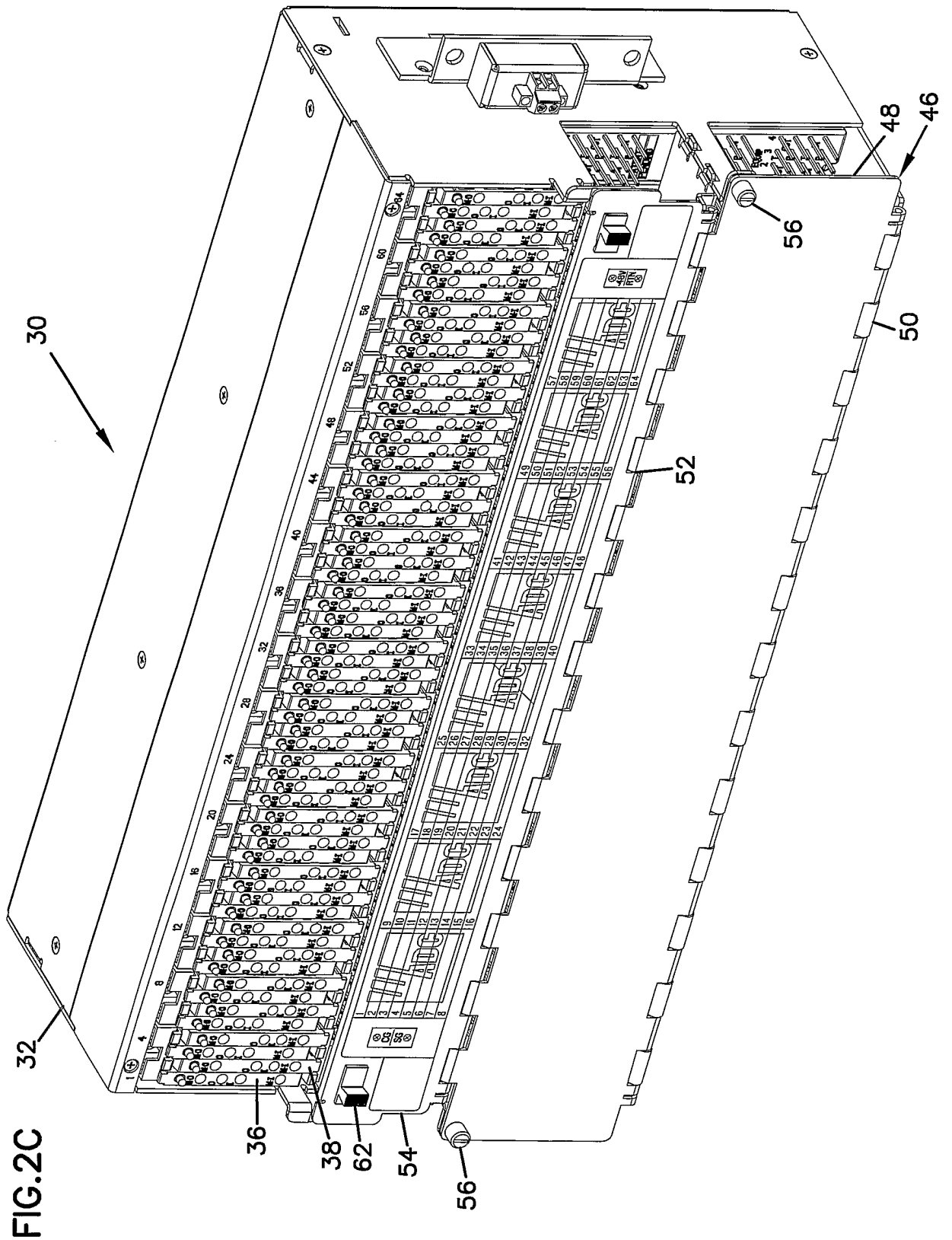


FIG. 2B



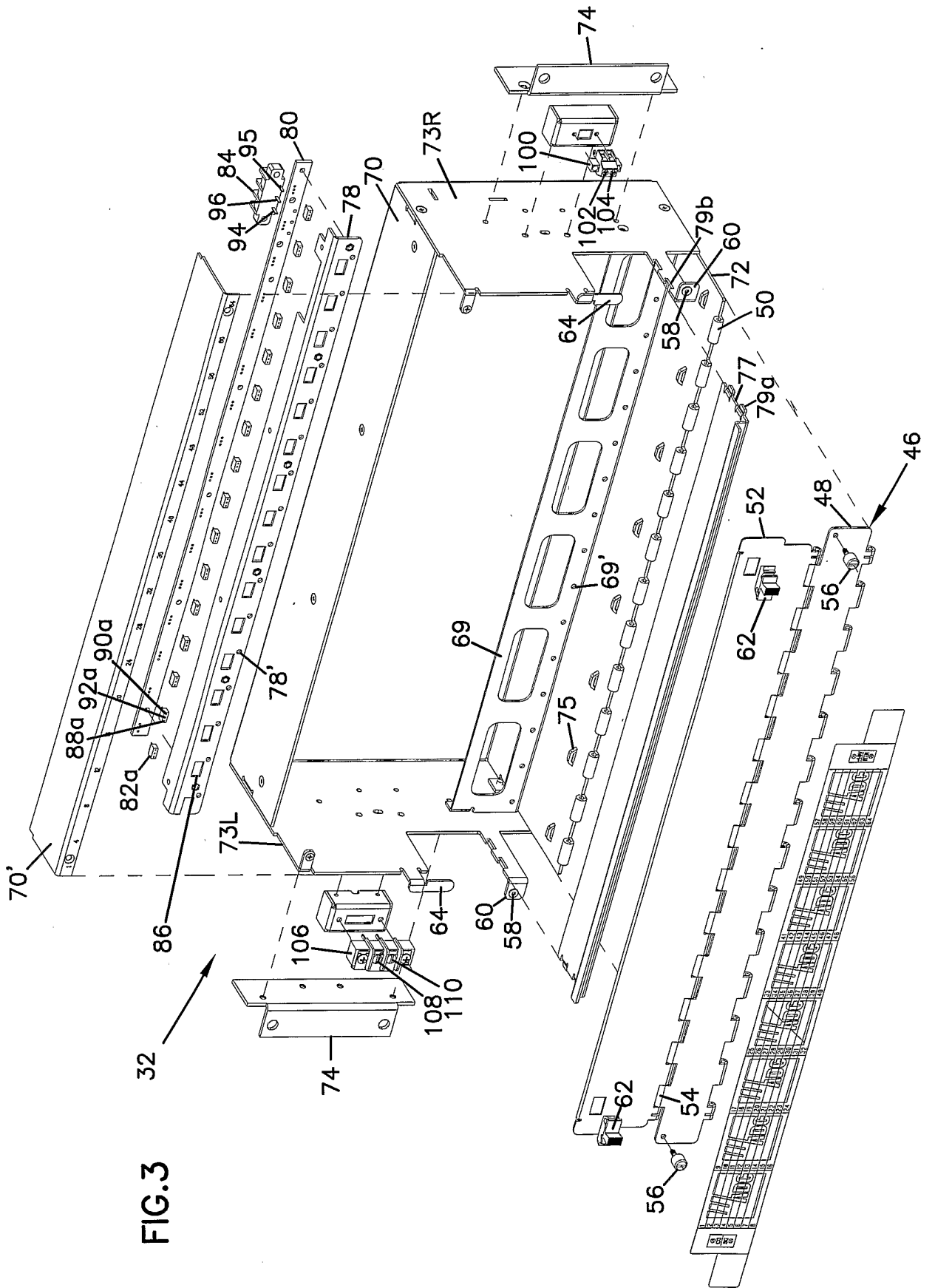


FIG. 3

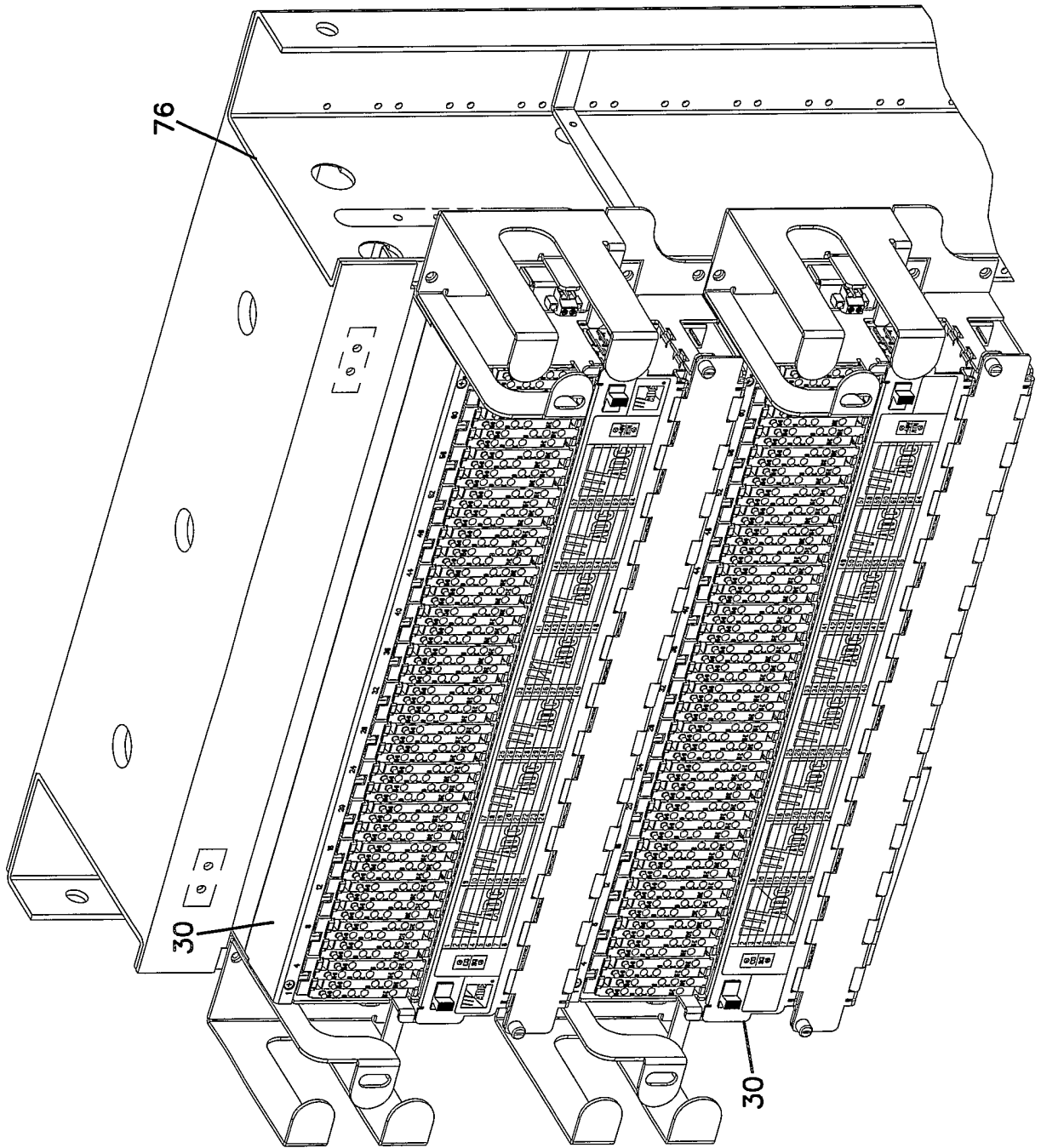


FIG.4

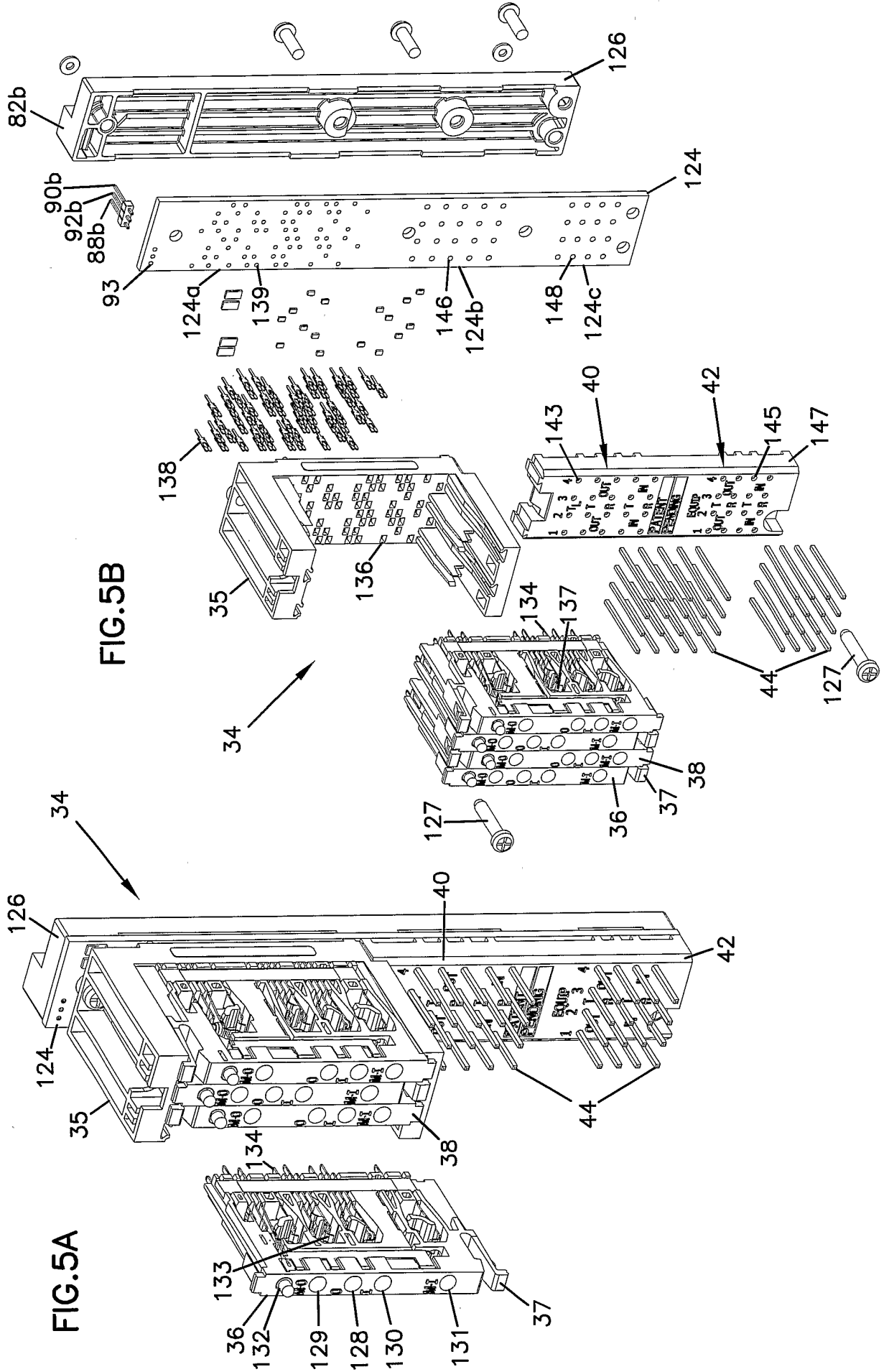
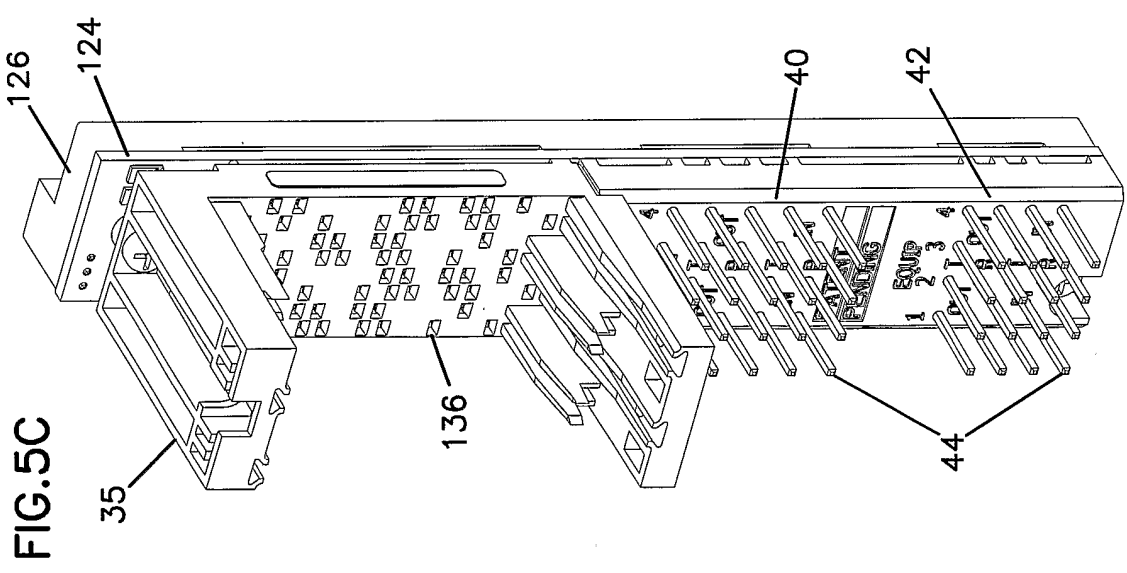
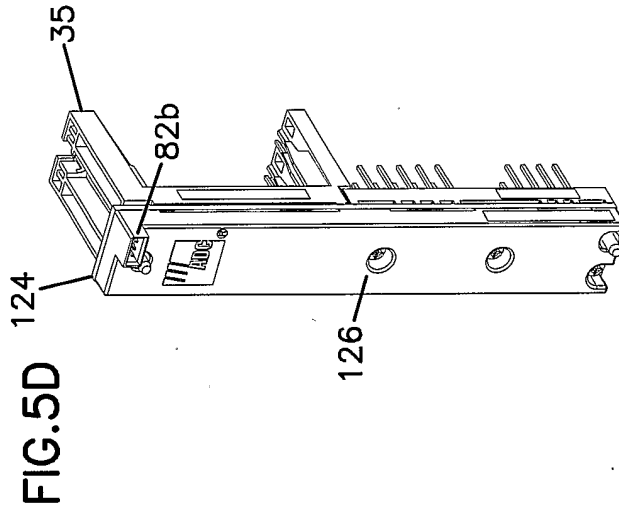


FIG.5B

FIG.5A



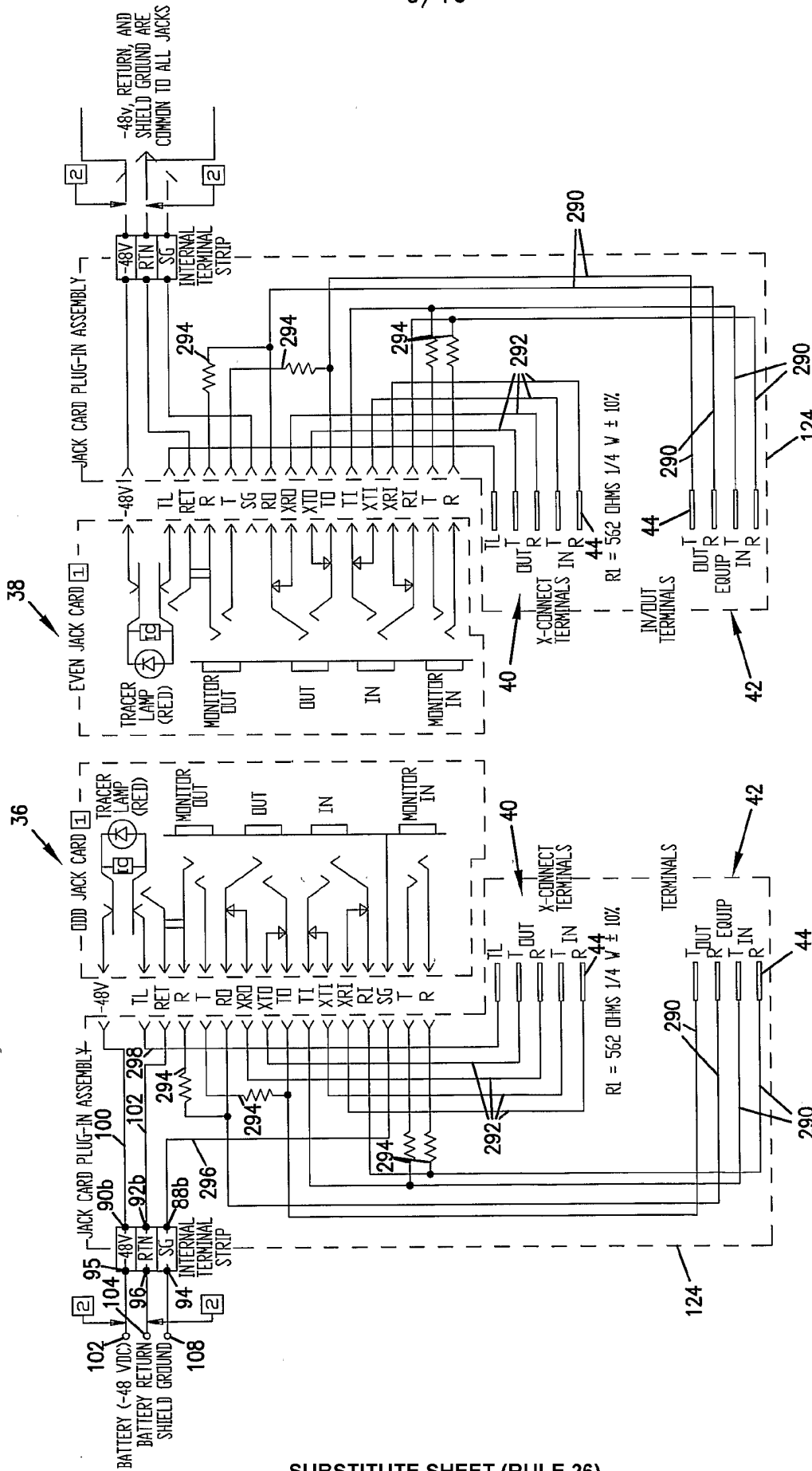


FIG. 6B CIRCUIT SCHEMATIC
EVEN JACK POSITION

FIG. 6A CIRCUIT SCHEMATIC
ODD JACK POSITION

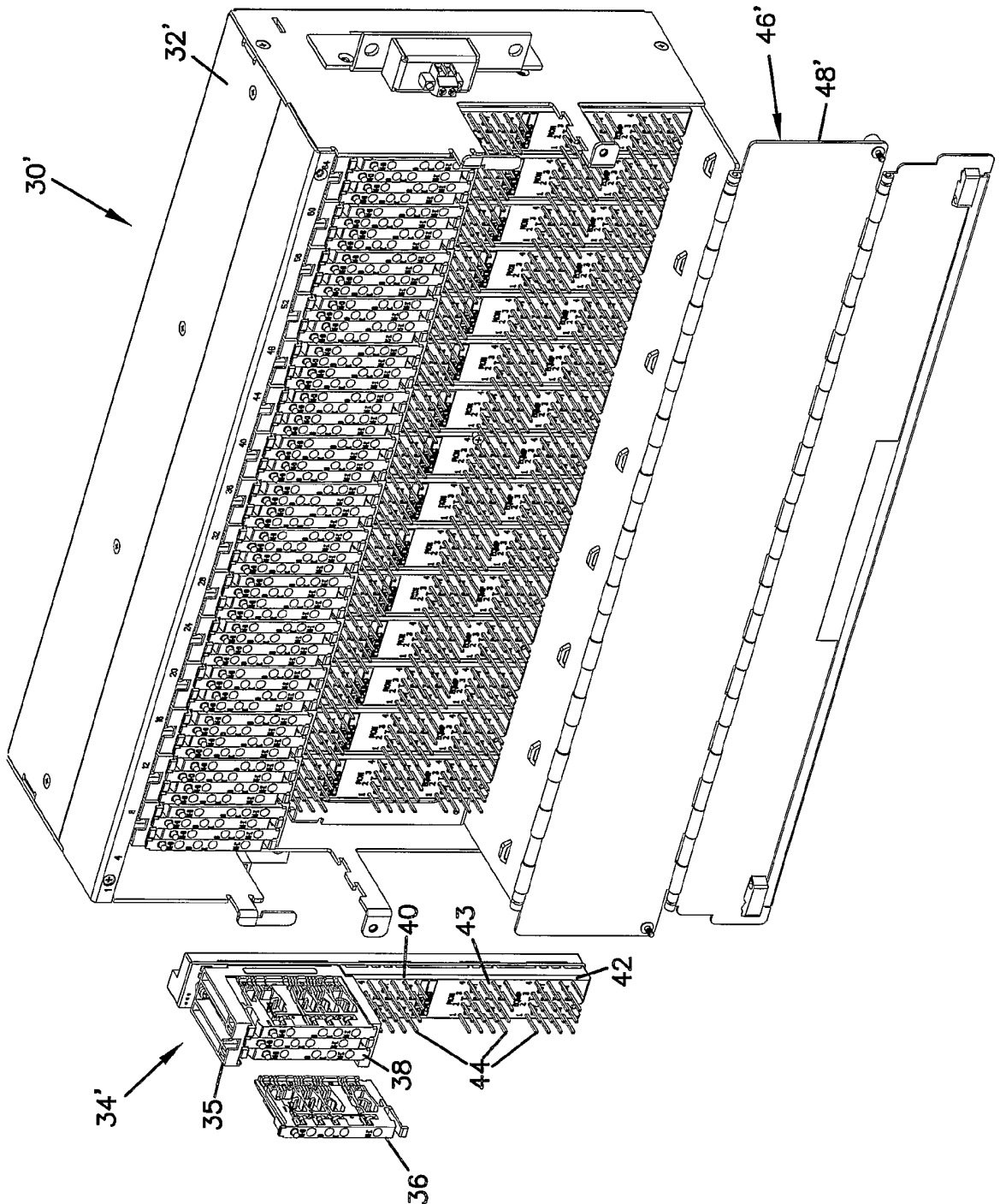


FIG.7A

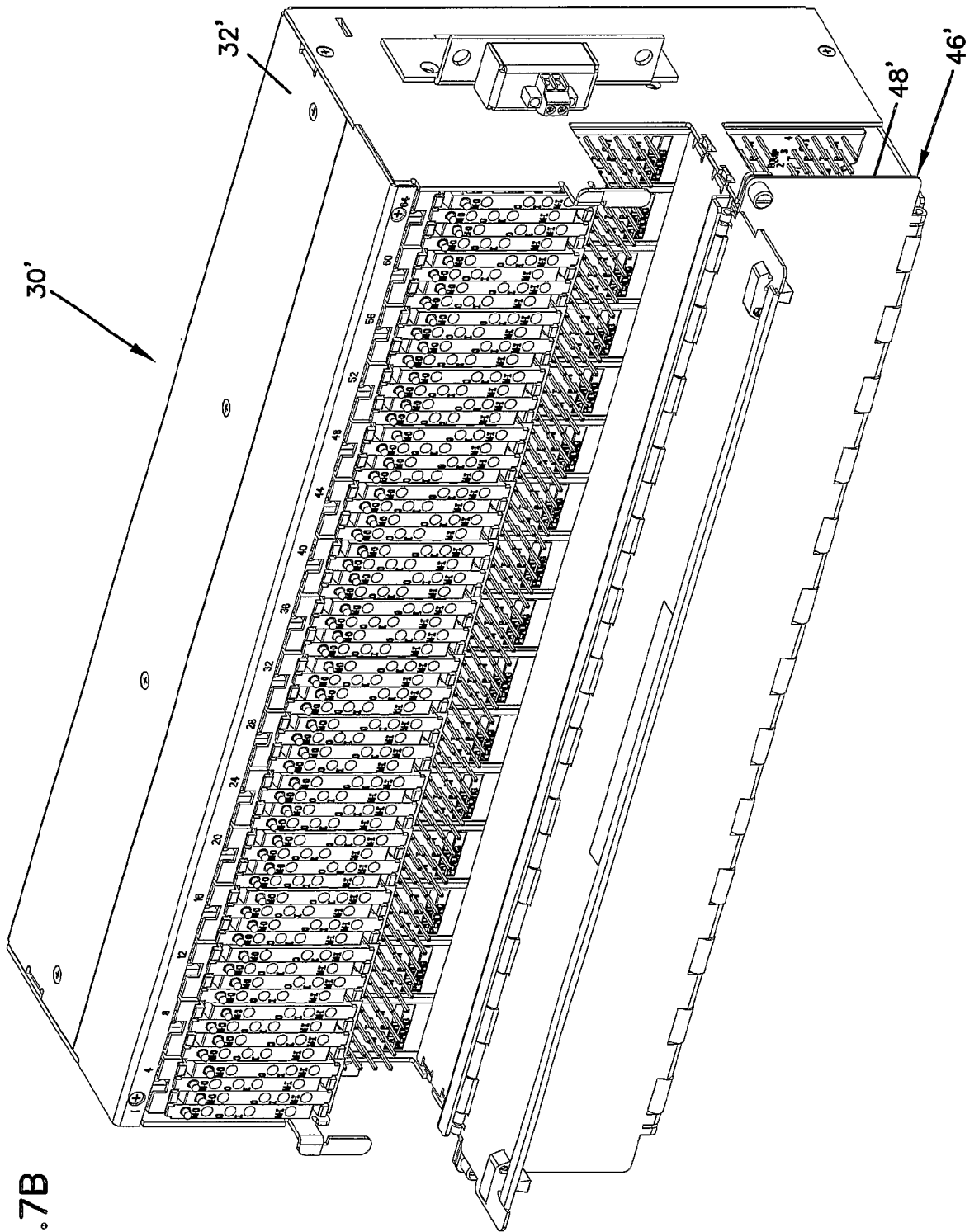


FIG. 7B

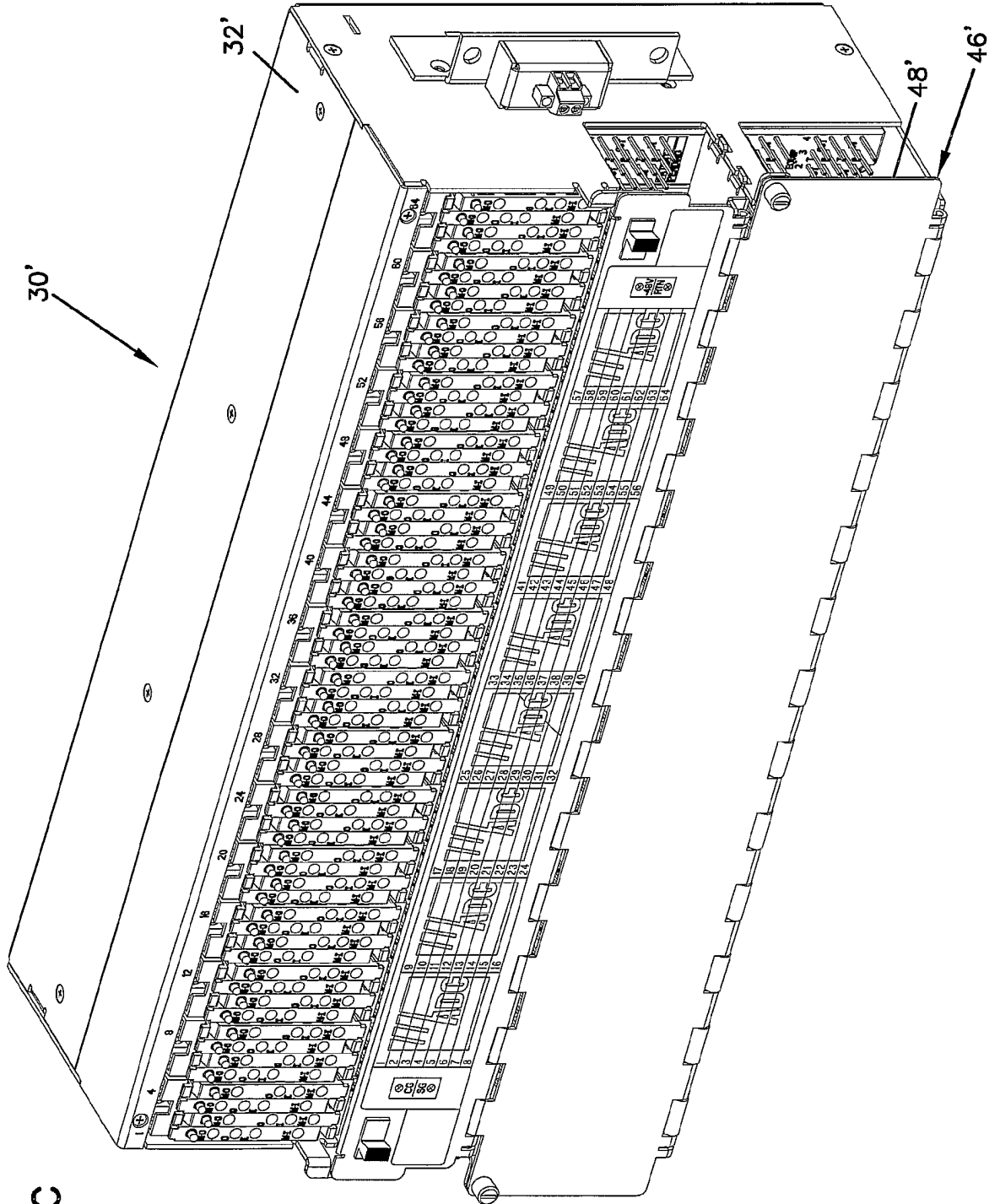


FIG. 7C

13/16

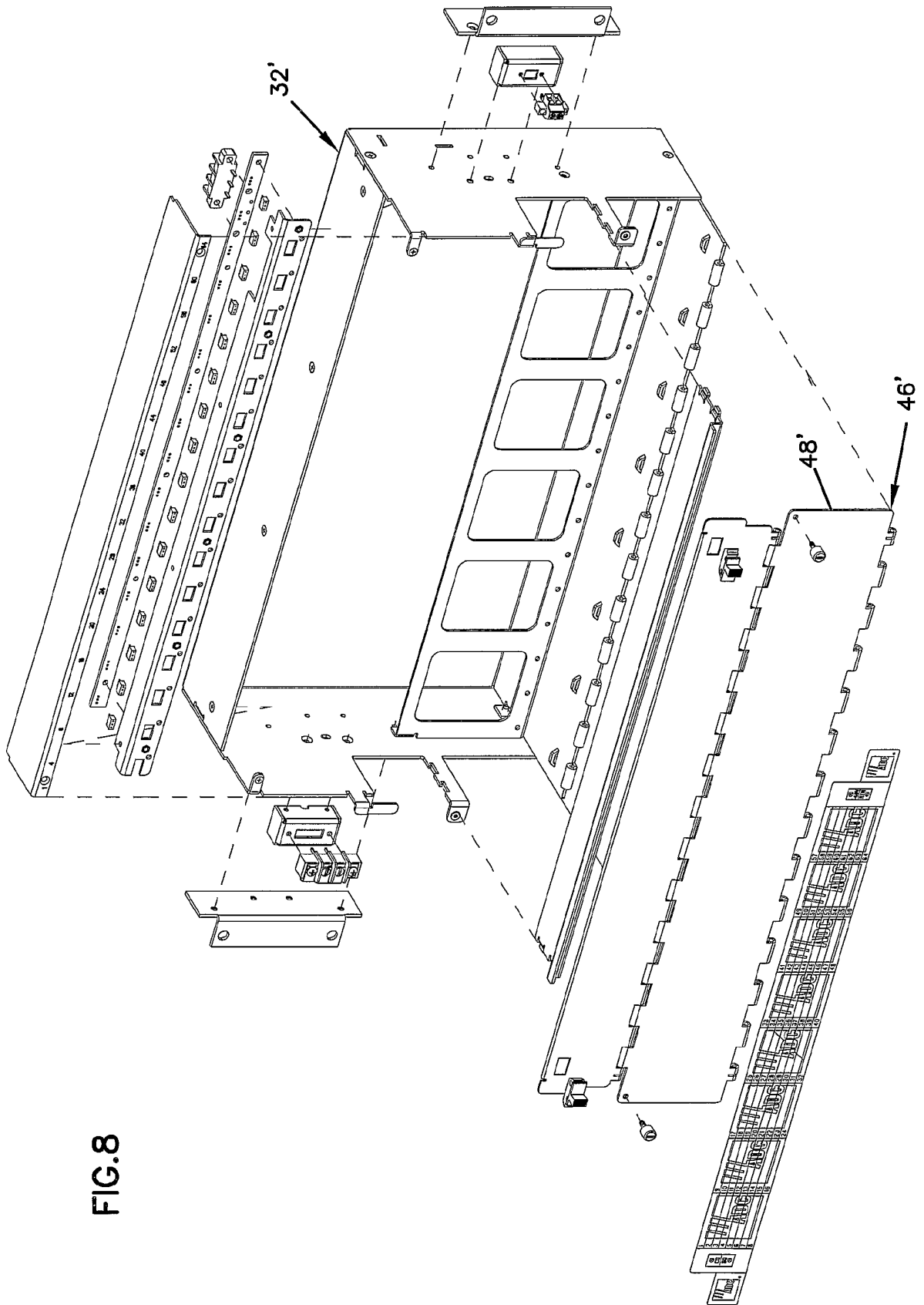


FIG. 8

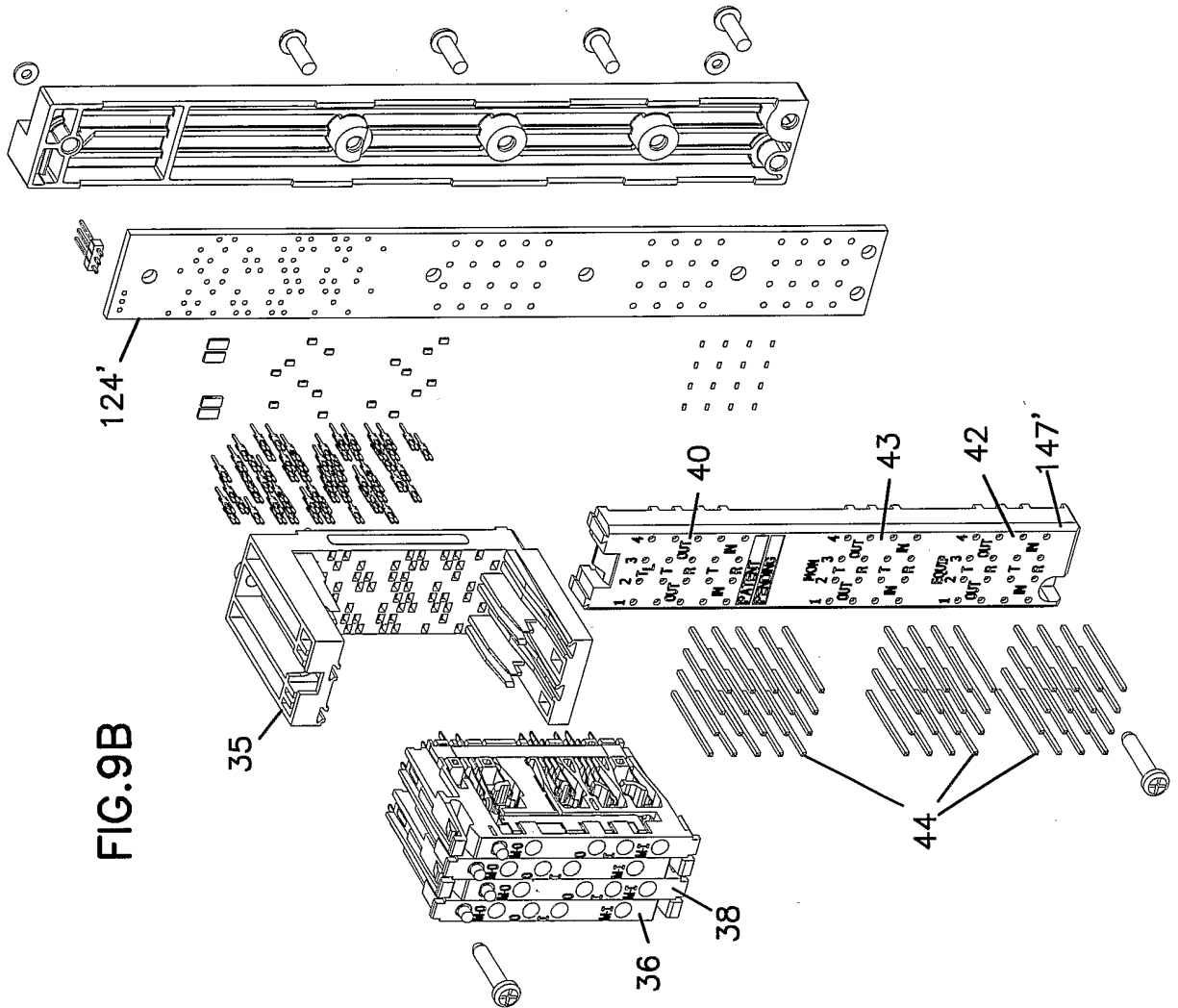


FIG. 9B

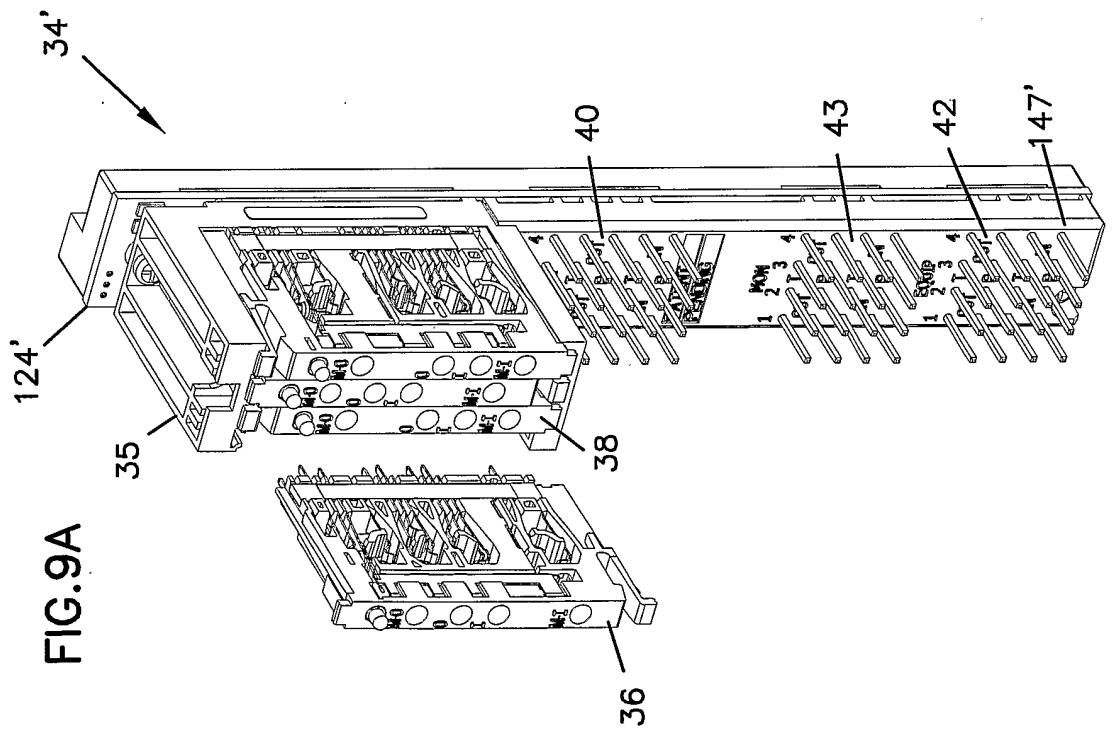
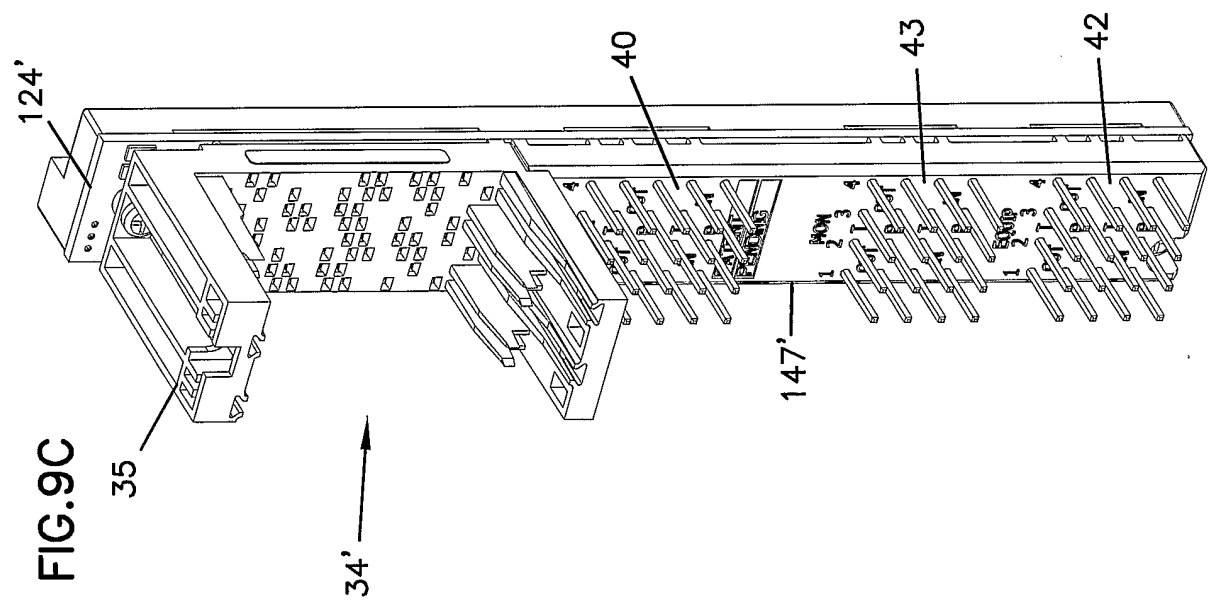
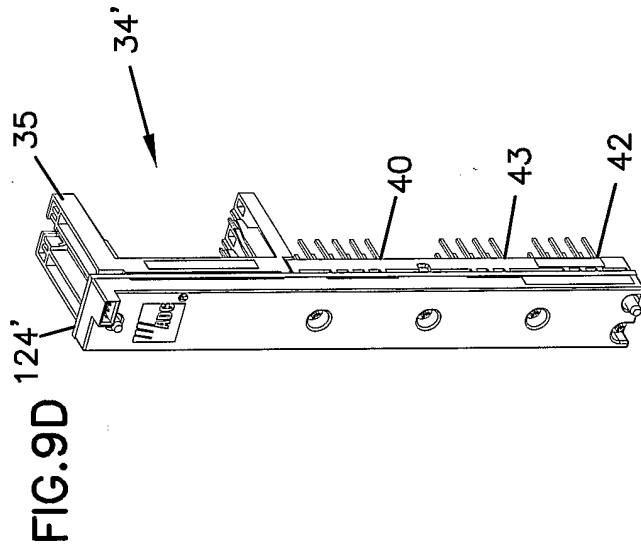


FIG. 9A



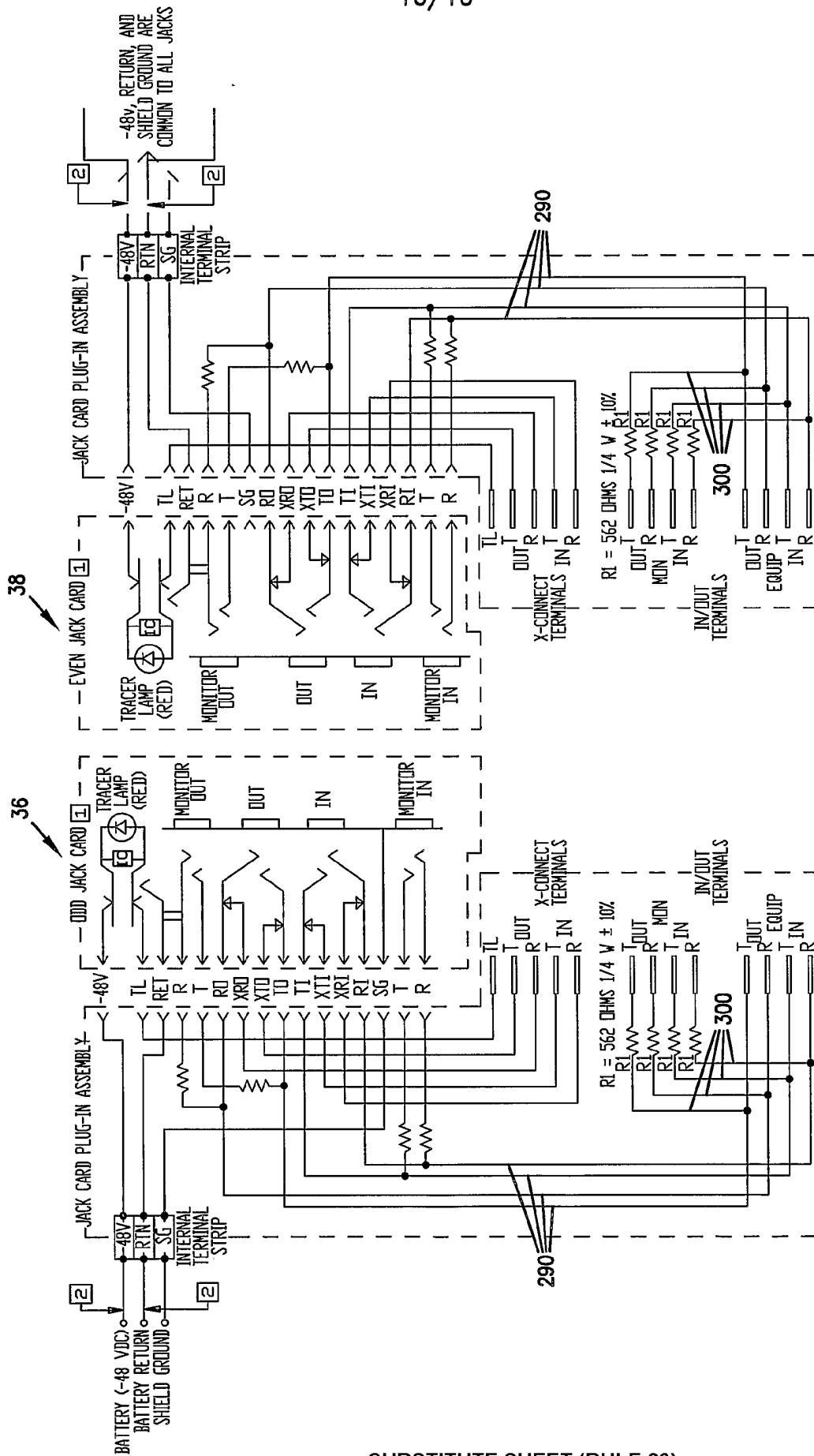


FIG.10B CIRCUIT SCHEMATIC EVEN JACK POSITION

FIG.10A CIRCUIT SCHEMATIC ODD JACK POSITION