

Aug. 14, 1945.

J. C. SABATINI

Des. 142,126

FLUORESCENT LIGHTING FIXTURE

Filed March 27, 1945

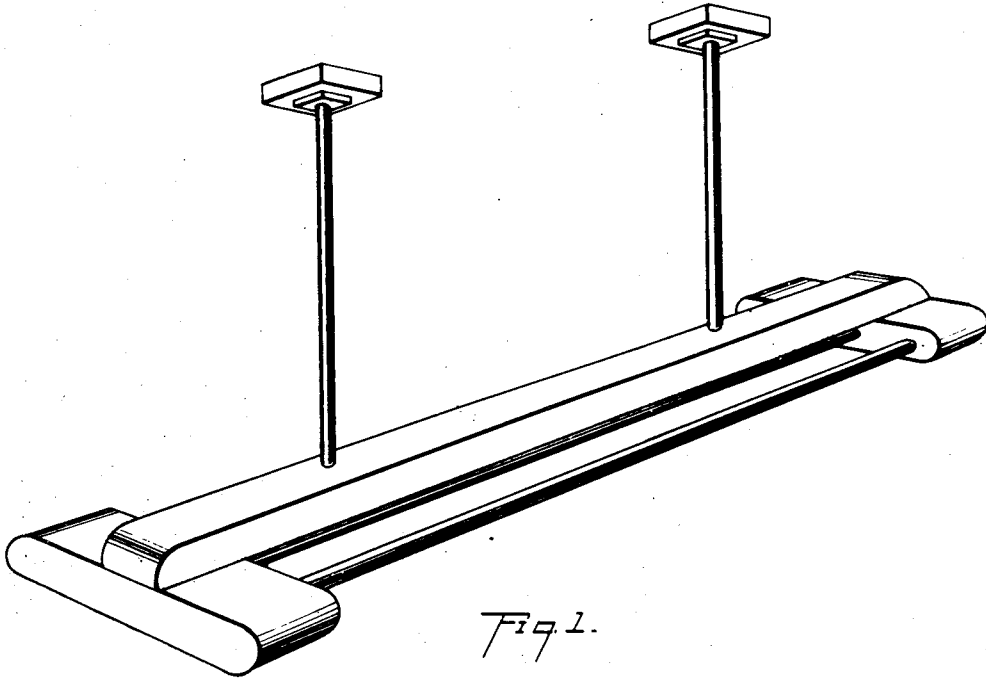


Fig. 1.

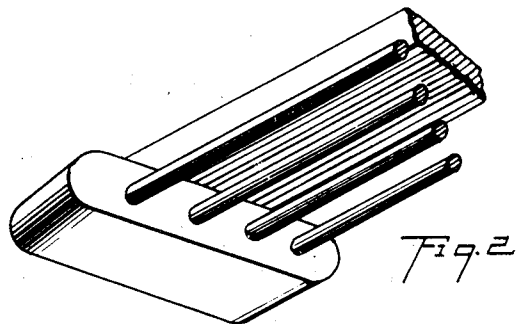


Fig. 2.

INVENTOR.
John C. Sabatini
BY *Robert Irving Williams*
Att'y.

Patented Aug. 14, 1945

Des. 142,126

UNITED STATES PATENT OFFICE

142,126

DESIGN FOR A FLUORESCENT LIGHTING FIXTURE

John C. Sabatini, West Englewood, N. J., assignor
to Colonial Neon Company, Inc., North Bergen,
N. J., a corporation of New Jersey

Application March 27, 1945, Serial No. 118,728

Term of patent 14 years

(Cl. D48—23)

To all whom it may concern:

Be it known that I, John C. Sabatini, a citizen of the United States and resident of West Englewood, county of Bergen and State of New Jersey, have invented a new, original, and ornamental Design for a Fluorescent Lighting Fixture, of which the following is a specification, reference being had to the accompanying drawing, forming part thereof.

Figure 1 is a perspective view of a fluorescent lighting fixture showing my new design.

Figure 2 is a fragmentary view disclosing one end from a position below the fixture.

I claim:

The ornamental design for a fluorescent lighting fixture, as shown.

JOHN C. SABATINI.