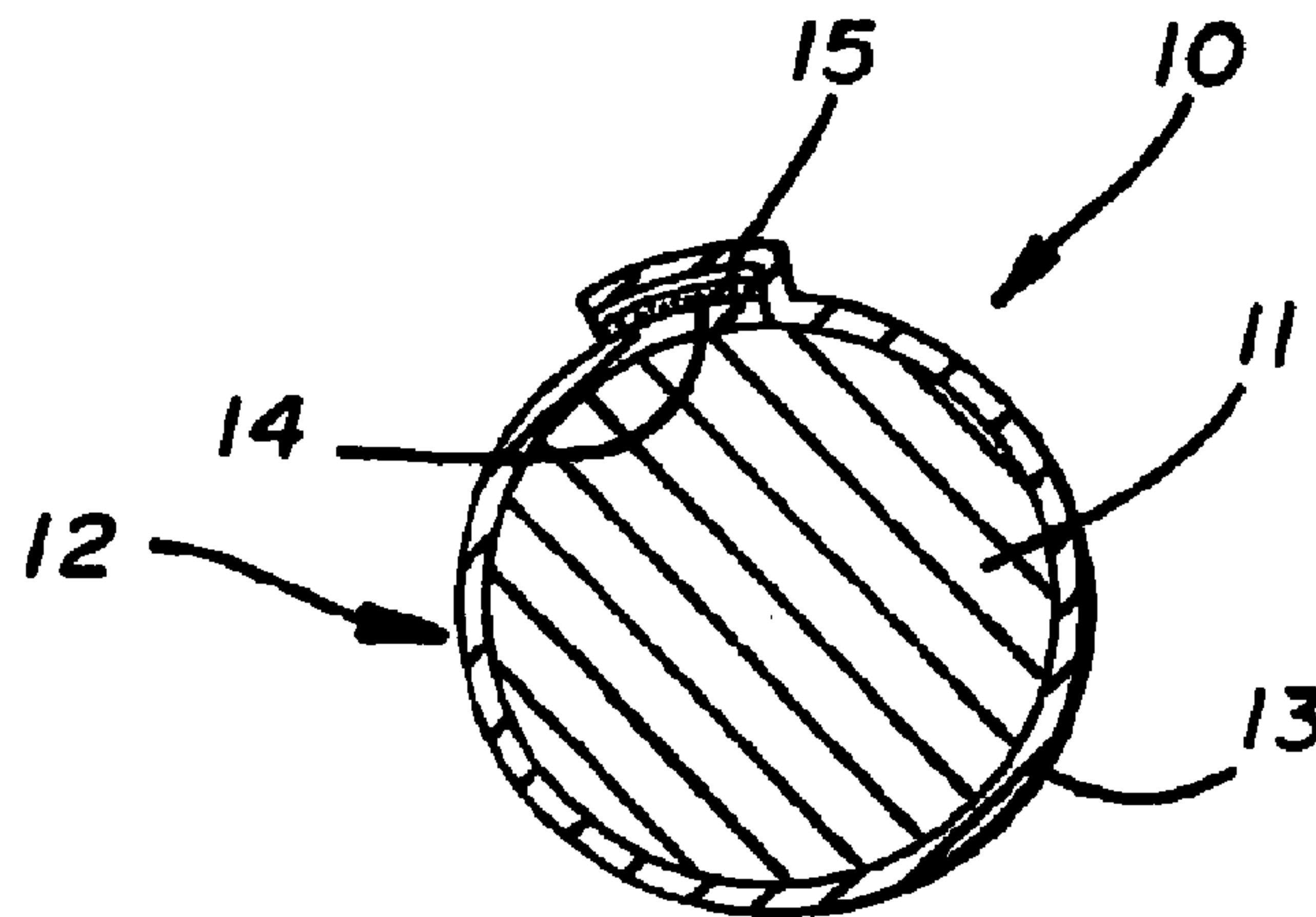




(86) Date de dépôt PCT/PCT Filing Date: 2009/06/01
 (87) Date publication PCT/PCT Publication Date: 2010/01/14
 (45) Date de délivrance/Issue Date: 2017/08/22
 (85) Entrée phase nationale/National Entry: 2010/12/23
 (86) N° demande PCT/PCT Application No.: US 2009/003306
 (87) N° publication PCT/PCT Publication No.: 2010/005461
 (30) Priorité/Priority: 2008/06/23 (US61/132,698)

(51) Cl.Int./Int.Cl. *H02G 3/04* (2006.01),
H02G 1/08 (2006.01), *H02G 9/06* (2006.01)
 (72) Inventeur/Inventor:
ALLEN, JERRY, US
 (73) Propriétaire/Owner:
WESCO EQUITY CORPORATION, US
 (74) Agent: BLAKE, CASSELS & GRAYDON LLP

(54) Titre : CABLE DE COMMUNICATIONS A GAINE EN TISSU
 (54) Title: COMMUNICATIONS CABLE WITH FABRIC SLEEVE



(57) **Abrégé/Abstract:**

A communications cable (11) is provided with a pliant sleeve (12, 21, 31) to allow it to be more easily inserted into a conduit. One form of the sleeve (12) has hook (14) and loop (15) connected to each other so that the sleeve (12) can engage the cable (11). Another form of the sleeve (21) is spring-loaded to engage the cable (11). In a third form of the sleeve (31) has an adhesive (33) which attaches the sleeve (31) to the cable (11).

(12) INTERNATIONAL APPLICATION PUBLISHED UNDER THE PATENT COOPERATION TREATY (PCT)

(19) World Intellectual Property Organization
International Bureau(43) International Publication Date
14 January 2010 (14.01.2010)(10) International Publication Number
WO 2010/005461 A1

(51) International Patent Classification:

H02G 3/04 (2006.01) H02G 9/06 (2006.01)
H02G 1/08 (2006.01)

(21) International Application Number:

PCT/US2009/003306

(22) International Filing Date:

1 June 2009 (01.06.2009)

(25) Filing Language:

English

(26) Publication Language:

English

(30) Priority Data:

61/132,698 23 June 2008 (23.06.2008) US

(71) Applicant (for all designated States except US): TVC
COMMUNICATIONS, L.L.C. [US/US]; 800 Airport
Road, Annville, PA 17003 (US).

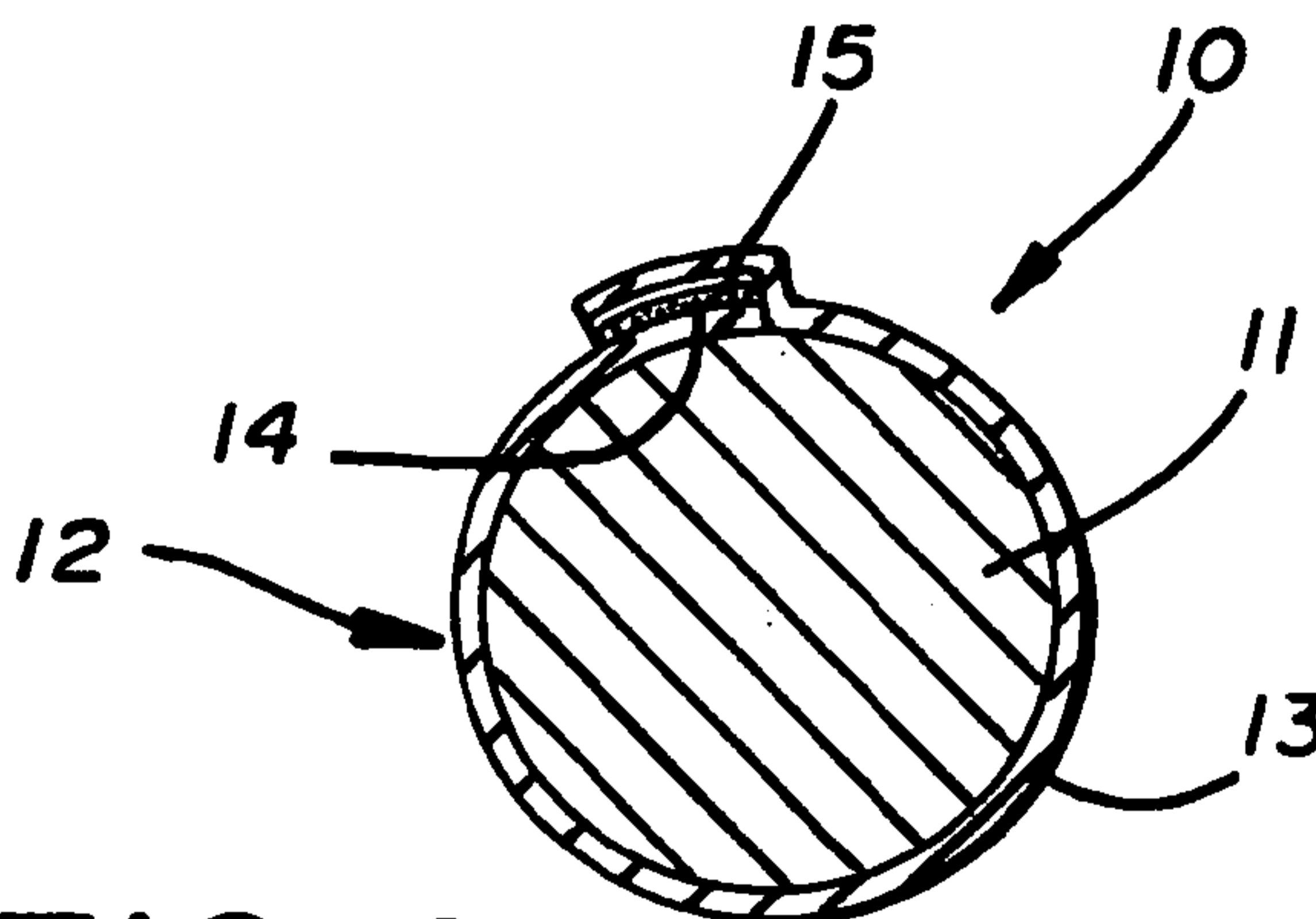
(72) Inventor; and

(75) Inventor/Applicant (for US only): ALLEN, Jerry
[US/US]; 6749 Greenwich Road, Westfield Center, OH
44251 (US).(74) Agents: GREIVE, Edward et al.; Renner, Kenner,
Greive, Bobak, Taylor & Weber, First National Tower,
Fourth Floor, Akron, OH 44308-1456 (US).(81) Designated States (unless otherwise indicated, for every
kind of national protection available): AE, AG, AL, AM,
AO, AT, AU, AZ, BA, BB, BG, BH, BR, BW, BY, BZ,
CA, CH, CN, CO, CR, CU, CZ, DE, DK, DM, DO, DZ,
EC, EE, EG, ES, FI, GB, GD, GE, GH, GM, GT, HN,
HR, HU, ID, IL, IN, IS, JP, KE, KG, KM, KN, KP, KR,
KZ, LA, LC, LK, LR, LS, LT, LU, LY, MA, MD, ME,
MG, MK, MN, MW, MX, MY, MZ, NA, NG, NI, NO,
NZ, OM, PG, PH, PL, PT, RO, RS, RU, SC, SD, SE, SG,
SK, SL, SM, ST, SV, SY, TJ, TM, TN, TR, TT, TZ, UA,
UG, US, UZ, VC, VN, ZA, ZM, ZW.(84) Designated States (unless otherwise indicated, for every
kind of regional protection available): ARIPO (BW, GH,
GM, KE, LS, MW, MZ, NA, SD, SL, SZ, TZ, UG, ZM,
ZW), Eurasian (AM, AZ, BY, KG, KZ, MD, RU, TJ,
TM), European (AT, BE, BG, CH, CY, CZ, DE, DK, EE,
ES, FI, FR, GB, GR, HR, HU, IE, IS, IT, LT, LU, LV,
MC, MK, MT, NL, NO, PL, PT, RO, SE, SI, SK, TR),
OAPI (BF, BJ, CF, CG, CI, CM, GA, GN, GQ, GW, ML,
MR, NE, SN, TD, TG).

Published:

— with international search report (Art. 21(3))

(54) Title: COMMUNICATIONS CABLE WITH FABRIC SLEEVE

**FIG. 4**

(57) Abstract: A communications cable (11) is provided with a pliant sleeve (12, 21, 31) to allow it to be more easily inserted into a conduit. One form of the sleeve (12) has hook (14) and loop (15) connected to each other so that the sleeve (12) can engage the cable (11). Another form of the sleeve (21) is spring-loaded to engage the cable (11). In a third form of the sleeve (31) has an adhesive (33) which attaches the sleeve (31) to the cable (11).

COMMUNICATIONS CABLE WITH FABRIC SLEEVE

TECHNICAL FIELD

5 This invention relates to a communications cable which is provided with a fabric sleeve installed on the cable at the factory or in the field just before the cable is installed into a conduit. Such a sleeve makes it easier to install cables into a conduit already having a cable therein without damage to either cable.

10

BACKGROUND ART

Positioning cables in underground communication conduits which extend for several thousand feet has long been a problem. Such is particularly true when it is desired to position an additional cable or cables into a conduit that already has a cable in it. That cable, particularly because of its plastic jacket, provides a great deal of friction to the new cable as it is attempted to be
15 inserted into the conduit. As a result, the new or the existing cable may be easily damaged due to that friction. Such is particularly true when the cable in the conduit is unguating which causes the cable being introduced to take a sinuous, friction-laden path.

20

An extremely successful solution to this problem is a fabric innerduct sold under the trademark MAXCELL® by TVC Communications, LLC and shown in U.S. Patent No. 6,262,371. This innerduct is first positioned in a conduit and divides the conduit into longitudinally extending compartments. When a cable is positioned in one of the compartments, a pull tape or rope that is in
25 another compartment is utilized to pull a second cable into that compartment. Because there is fabric between the cables, the friction is not on the cable jacket but on the fabric which makes installation easier.

However, a problem can exist when using these innerducts in small diameter conduits which extend long distances. In these small conduits, the fabric innerduct takes up much of the space in the conduit and the tape or rope may tend to lock up in the innerduct thereby impeding the ability to pull in a cable.

As a result, the need exists for a more efficient manner in which to install a cable into a conduit, particularly a small diameter conduit.

DISCLOSURE OF THE INVENTION

It is thus an object of one aspect of the present invention to provide a cable with a pliant sleeve.

It is an object of another aspect of the present invention to provide a cable and sleeve assembly which is easy to insert both into an empty conduit or into an innerduct within the conduit.

It is an object of an additional aspect of the present invention to provide a method of forming a cable with a pliant sleeve and introducing the cable and sleeve assembly into a conduit.

These and other objects of the present invention, as well as the advantages thereof over existing prior art forms, which will become apparent from the description to follow, are accomplished by the improvements hereinafter described and claimed.

In general, an apparatus to be introduced into a conduit made in accordance with the present invention includes a cable having a length and a pliant sleeve positioned around the cable for substantially the entire length.

The present invention also relates to a method of introducing a longitudinally extending cable into a conduit which includes the steps of wrapping a pliant material around substantially the entire length of the cable and thereafter introducing the wrapped cable into the conduit.

Preferred exemplary cable and sleeve assemblies according to the concepts of the present invention are shown by way of example in the accompanying drawings without attempting to show all the various forms and modifications in which the invention might be embodied, the invention being measured by the appended claims and not by the details of the specification.

BRIEF DESCRIPTION OF THE DRAWINGS

Fig. 1 is a schematic view showing the manner in which a conventional cable is wrapped with a fabric sleeve and inserted in to conduit.

5 Fig. 2 is an end view of a fabric sleeve made in accordance with the present invention.

Fig. 3 is a fragmentary top plan view of the sleeve of Fig. 2.

Fig. 4 is a sectional view of a cable and sleeve of the present invention showing the sleeve of Figs. 2 and 3 wrapped around the cable.

10 Fig. 5 is an end view of an alternative version of a fabric sleeve made in accordance with the present invention.

Fig. 6 is a fragmentary top plan view of the sleeve of Fig. 5.

Fig. 7 is a sectional view of a cable and sleeve of the present invention showing the sleeve of Figs. 5 and 6 wrapped around the cable.

15 Fig. 8 is an end view of another alternative version of a fabric sleeve made in accordance with the present invention.

Fig. 9 is a sectional view of a cable and a sleeve of Fig. 8 wrapped around the cable.

PREFERRED EMBODIMENTS FOR CARRYING OUT THE INVENTION

20 One form of a cable and sleeve assembly made in accordance with the present invention is indicated generally by the numeral 10 and includes a communications cable 11 and a sleeve generally indicated by the numeral 12. Cable 11 is a conventional item and, as such, typically includes a plurality of
25 conductive wires encapsulated within a plastic jacket. Sleeve 12 may be made of a pliant material such as the fabric described in U.S. Patent No. 6,421,485, and can be in the form of a longitudinally extending sheet 13 of material having a fastening system formed on opposed edges thereof. Such a system could be glue or some other adhesive, or it could be the VELCRO® hook and loop
30 fastening system shown. Thus, one edge on one side of sheet 13 may be provided with a hook connector 14 and the opposed edge on the other side of sheet 13 may be provided with the companion loop connector 15. The width of the sheet between the connectors 14 and 15 generally corresponds to the circumference of cable 11 such that when sleeve 12 is positioned on cable 11,

as shown in Fig. 4, connectors 14 and 15 may engage each other to tightly hold sleeve 12 on cable 11.

5 An alternative cable and sleeve assembly is shown in Fig. 7 and generally indicated by the numeral 20. There, the conventional cable 11 is shown as receiving a spring-loaded sleeve of fabric or thin plastic material generally indicated by the numeral 21 which is formed of a sheet 22 having opposed edges 23 and 24. As shown, edge 24 circumferentially overlaps a portion of sheet 22 to provide a tight grip on cable 11.

10 Another alternative cable and sleeve assembly is shown in Fig. 9 and generally indicated by the numeral 30. There, the conventional cable 11 is shown as receiving a fabric sleeve generally indicated by the numeral 31. Like sleeve 12, sleeve 31 may be formed of a pliant or fabric material and provided in the form of a longitudinally extending sheet 32. As best shown in Fig. 8, one side of sheet 32 can be provided with an adhesive 33. The width of sheet 32
15 generally corresponds to the circumference of cable 11 such that when sheet 32 is placed on cable 11 with its adhesive 33 side facing the plastic jacket of cable 11, sheet 32 firmly engages the plastic jacket of cable 11 as shown in Fig. 9.

20 The cable sleeve assemblies 10, 20, or 30 may be manufactured and assembled at the factory and shipped on rolls to the underground conduit construction site. Typically, such rolls could have two thousand or more feet of assemblies 10, 20, or 30 thereon to be played out and inserted into an underground conduit by conventional systems.

25 Alternatively, a sleeve 12 or 21 could be applied to the cable 11 in the field as schematically shown in Fig. 1. In this instance, a roll 40 of cable 11 and a roll 41 of a sleeve 12 or 21 are provided at the site for installation into a conduit. The cable 11 and sleeve 12 in the condition shown in Figs. 2, 3 or 8 or the sleeve 21 in the condition shown in Figs. 5 and 6, are fed to a device 43. In the instance of operation with a sleeve 12 or 31, device 43 is a folder which
30 wraps sleeve 12 or 31 around cable 11 as they simultaneously pass through device 42 to form assembly 10. In the instance of operation with a sleeve 21, device 42 can be a spreader which opens sleeve 21 so that the cable 11 may pass between edges 23 and 24. The spreader then releases sleeve 21 to allow sleeve 21 to snap back to its original condition and now forming
35 assembly 20. The resulting cable and sleeve assembly 10, 20 or 30 may then

be pulled into a conduit by a conventional rope or pull tape or may be provided to a conventional cable pushing/blowing machine 43 which includes tractor-like devices 44 to grip assembly 10 or 20 and push it into and through a conduit (not shown) to the right in Fig. 1. The pushing movement of devices 44 can be
5 assisted by the blowing of air into the conduit as is known in the art.

By wrapping a cable with a pliable material which has less friction than the jacket of a cable, assemblies 10, 20 or 30 can be more easily installed into a conduit which does not have an innerduct therein. As a result, the cost of the innerduct is saved. On the other hand, if the conduit does have an
10 innerduct already positioned therein, the cable sleeve assemblies 10, 20 or 30 are also more easily inserted into a compartment of the innerduct.

As a result, a cable sleeve assembly 10, 20 or 30 manufactured and used as described herein accomplishes the objects of the invention and otherwise substantially improves the art.

CLAIMS

What is claimed is:

1. Apparatus to be introduced into a conduit comprising a cable having a casing, said cable having a length, and a pliant outer sleeve made of a material which provides less friction than said casing, said sleeve being attached at all times to substantially the entirety of said casing for substantially the entire length.
2. The apparatus of claim 1 wherein said sleeve is made of a fabric material.
3. The apparatus of claim 2 wherein said material is spring-loaded so that said sleeve engages said cable.
4. The apparatus of claim 1 wherein said sleeve is initially in the form of a sheet of material.
5. The apparatus of claim 4 wherein one side of said sheet is provided with an adhesive adapted to attach said sheet to said cable.
6. The apparatus of claim 4 wherein said sheet has spaced edges, the distance between said edges approximating the circumference of said cable.
7. The apparatus of claim 4 wherein said sheet has opposed edges, a hook portion of a connector being formed near one said edge and a loop portion of a connector being formed near the other said edge, said hook portion engaging said loop portion so that said sleeve engages said cable.
8. The apparatus of claim 4 wherein said sheet has opposed edges, said edges overlapping when said sheet is engaging said cable.
9. A method of introducing a cable into a longitudinally extending conduit comprising the steps of providing a roll of cable and a roll of pliant material at the installation site where the cable is to be introduced into the conduit, transferring the cable and pliant material to a device which performs a step of attaching the pliant material to substantially the entirety of the cable, and thereafter introducing the cable with the pliant material attached thereto into the conduit.
10. The method of claim 9 further comprising the step of inserting an innerduct into the conduit prior to said step of introducing, said step of introducing including the step of positioning the cable into a compartment of the innerduct.
11. The method of claim 9 wherein said attaching step is performed by the device by the step of spreading the pliant material.
12. The method of claim 9 wherein the step of introducing includes the step of pulling the cable into the conduit.
13. The method of claim 9 wherein the step of introducing includes the step of pushing the cable into the conduit.

14. Apparatus to be introduced into a conduit comprising a cable having a casing, said casing having a length, and a pliant sleeve made of a material providing less friction than said casing positioned around said casing for substantially the entire length, said sleeve being formed from a sheet of material having an adhesive on one side thereof so that said sleeve can be attached to said casing.

1/2

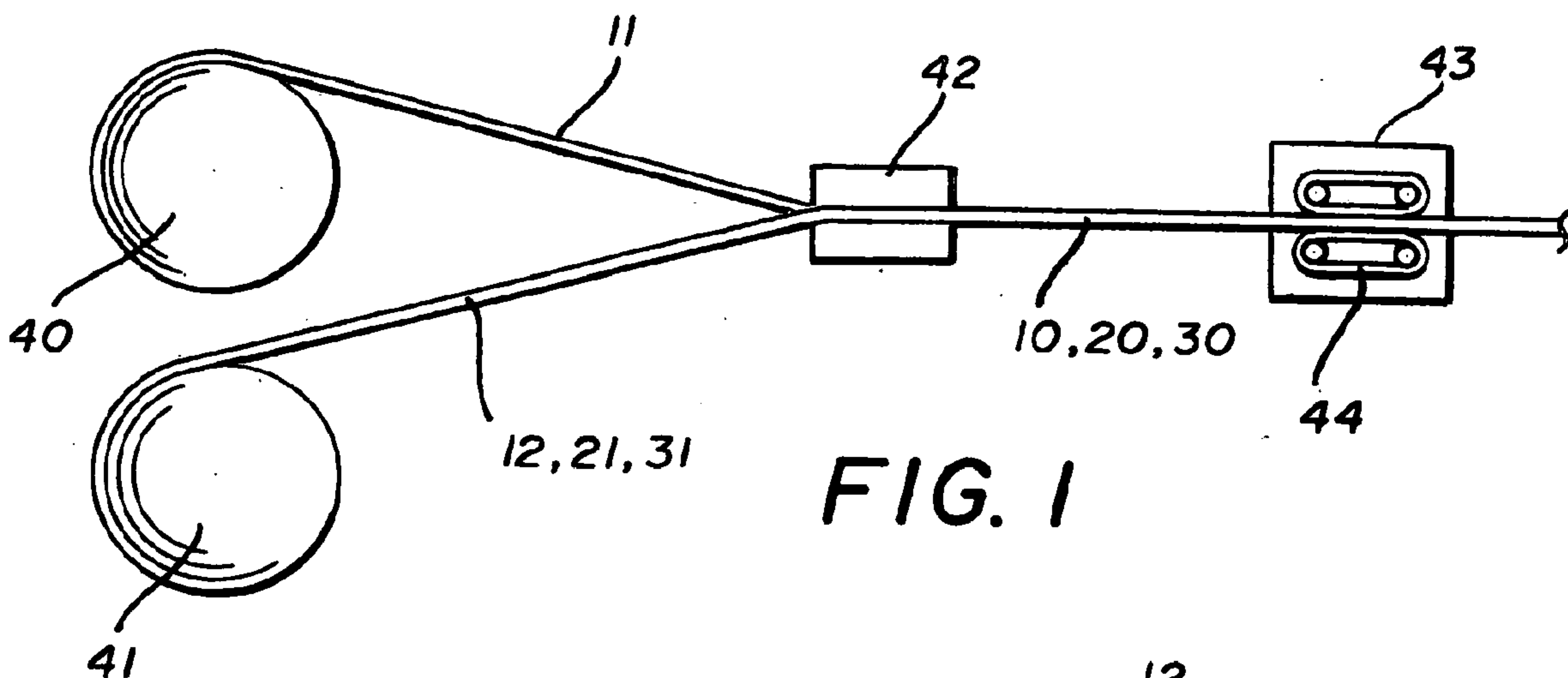


FIG. 1

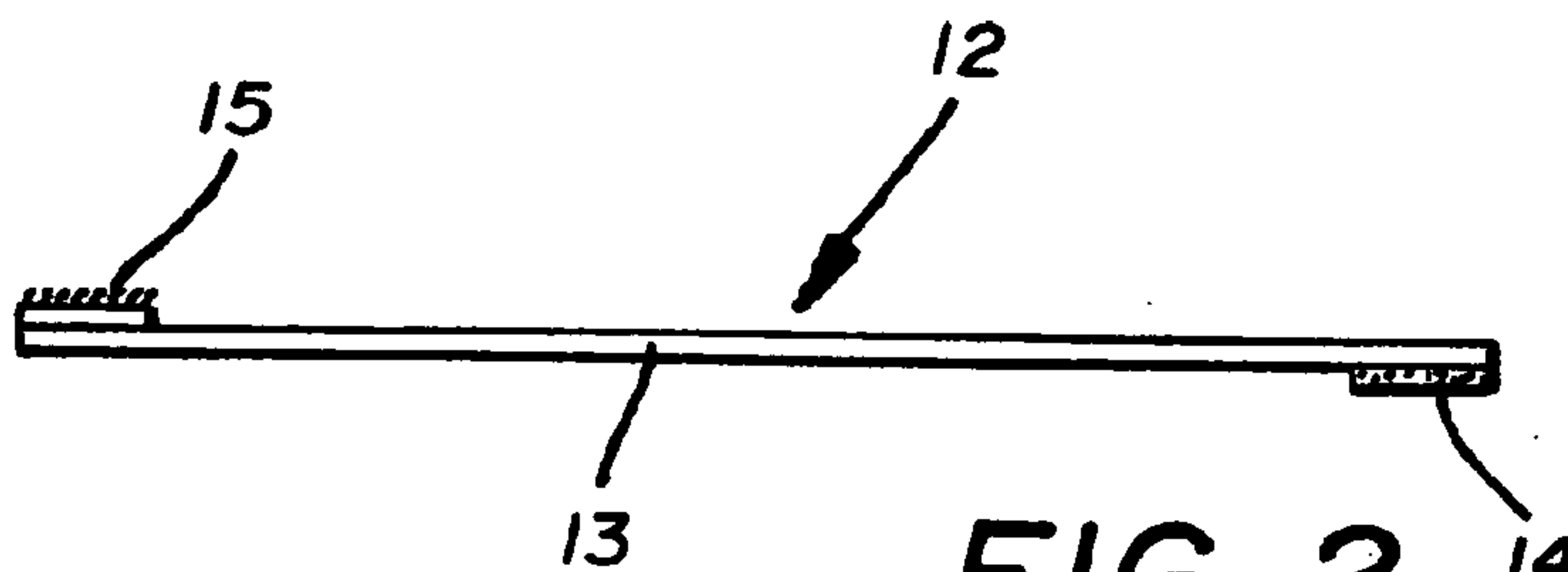


FIG. 2

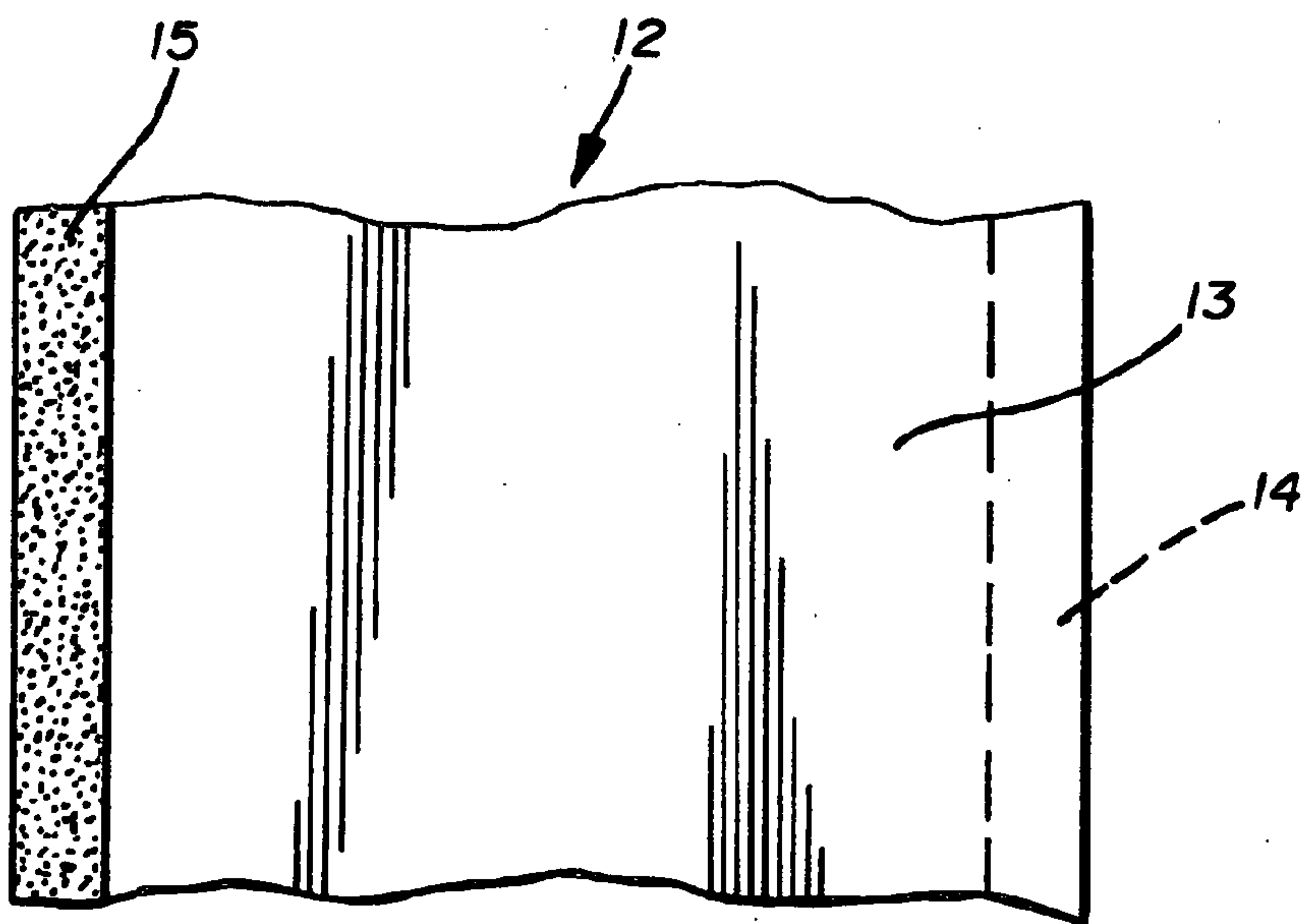


FIG. 3

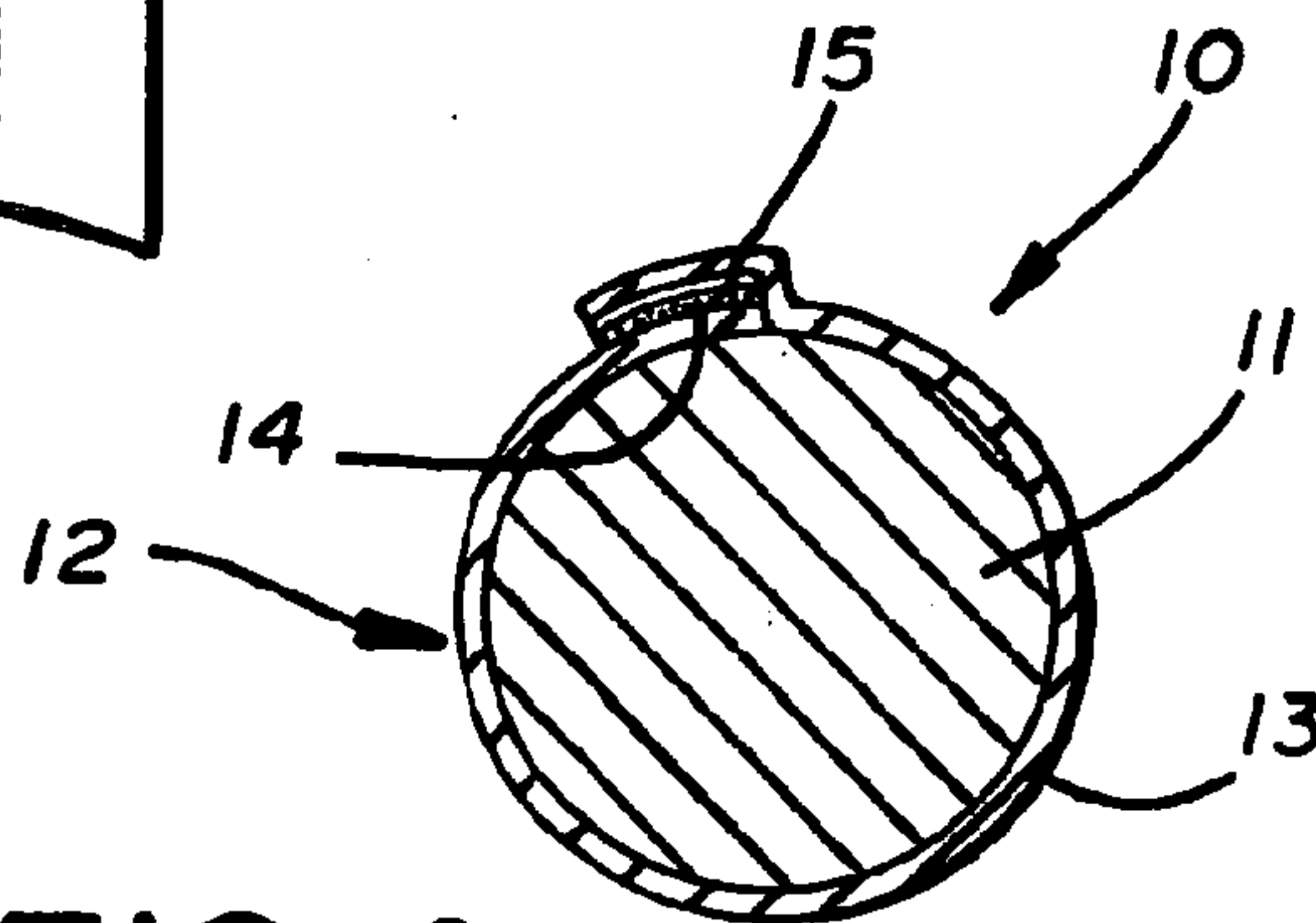


FIG. 4

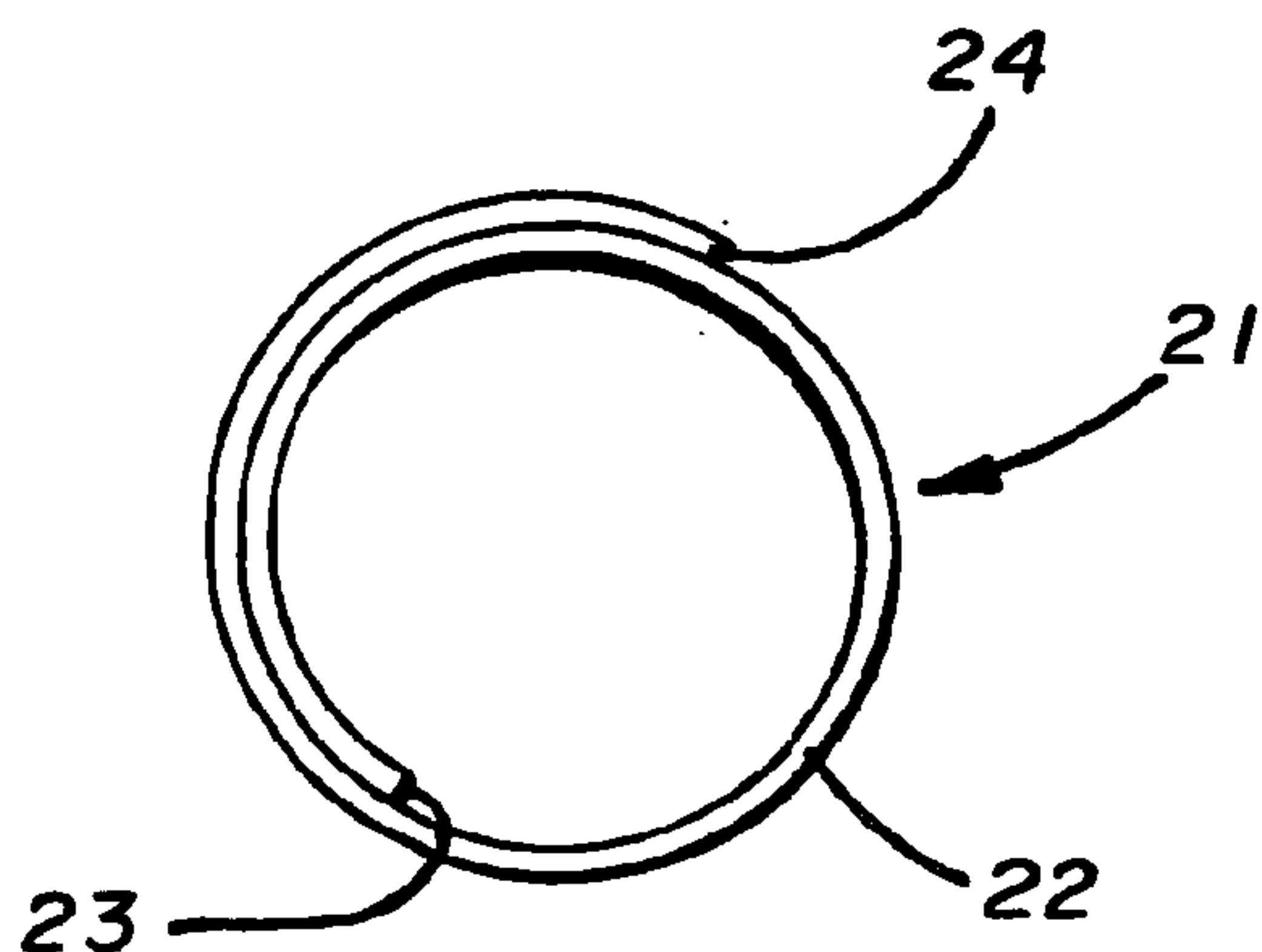


FIG. 5

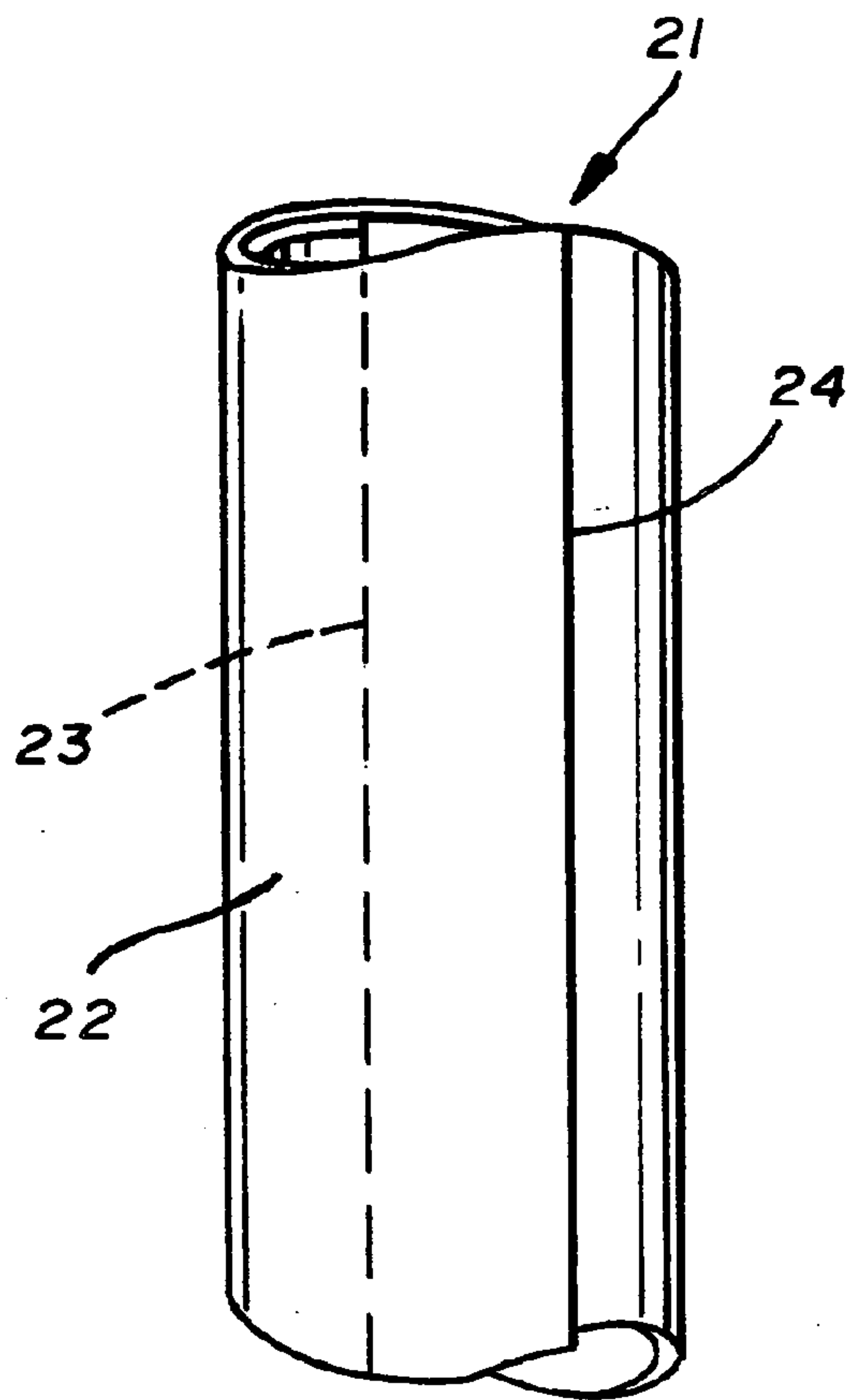


FIG. 6

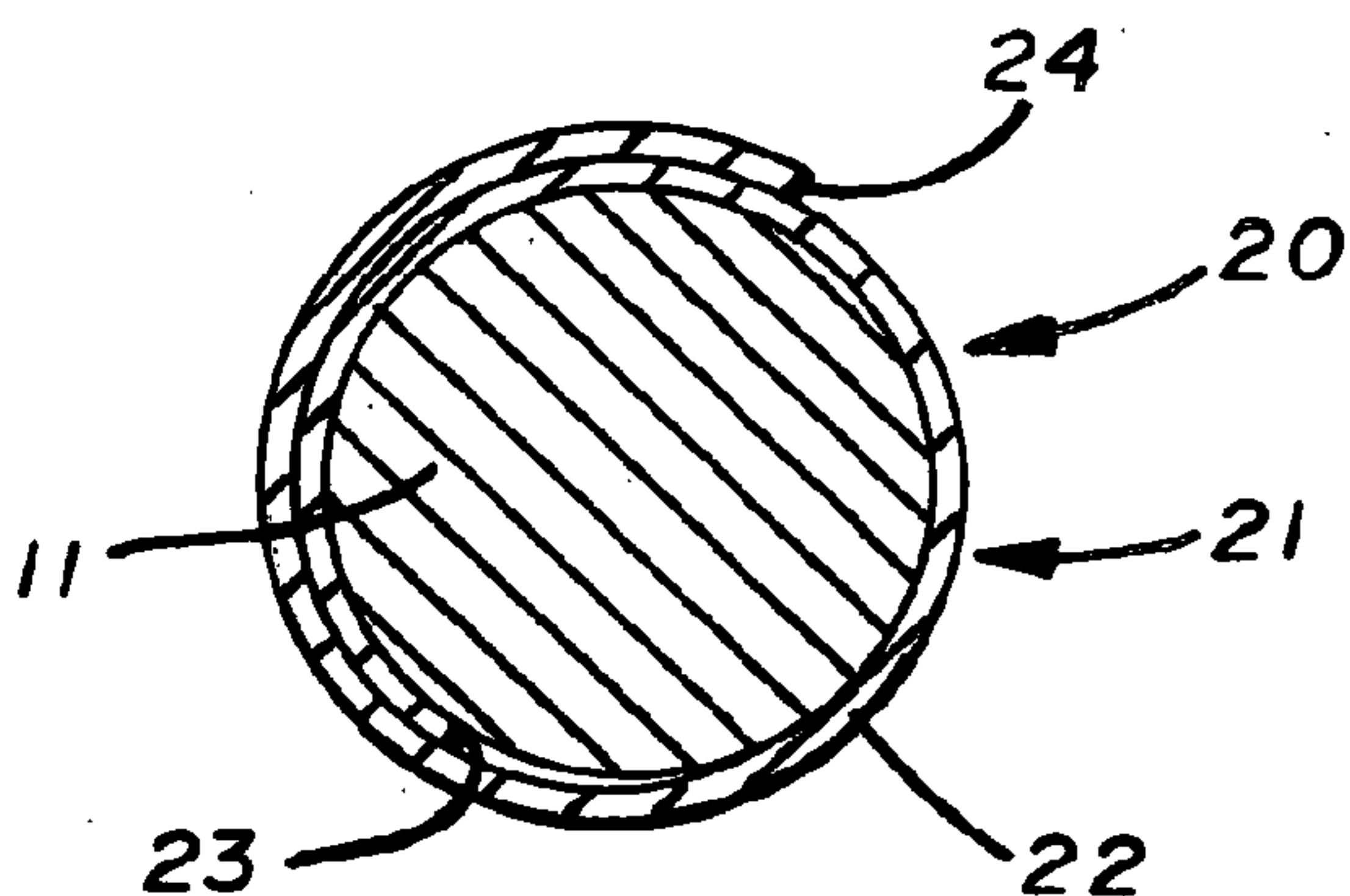


FIG. 7

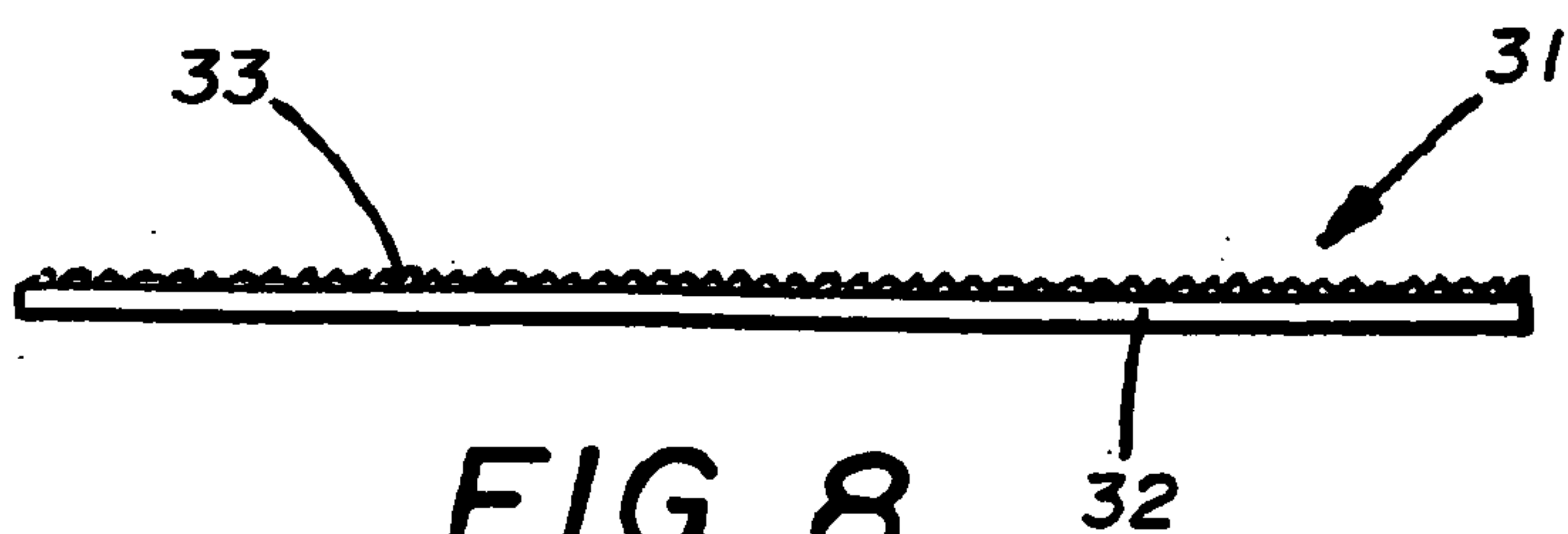


FIG. 8

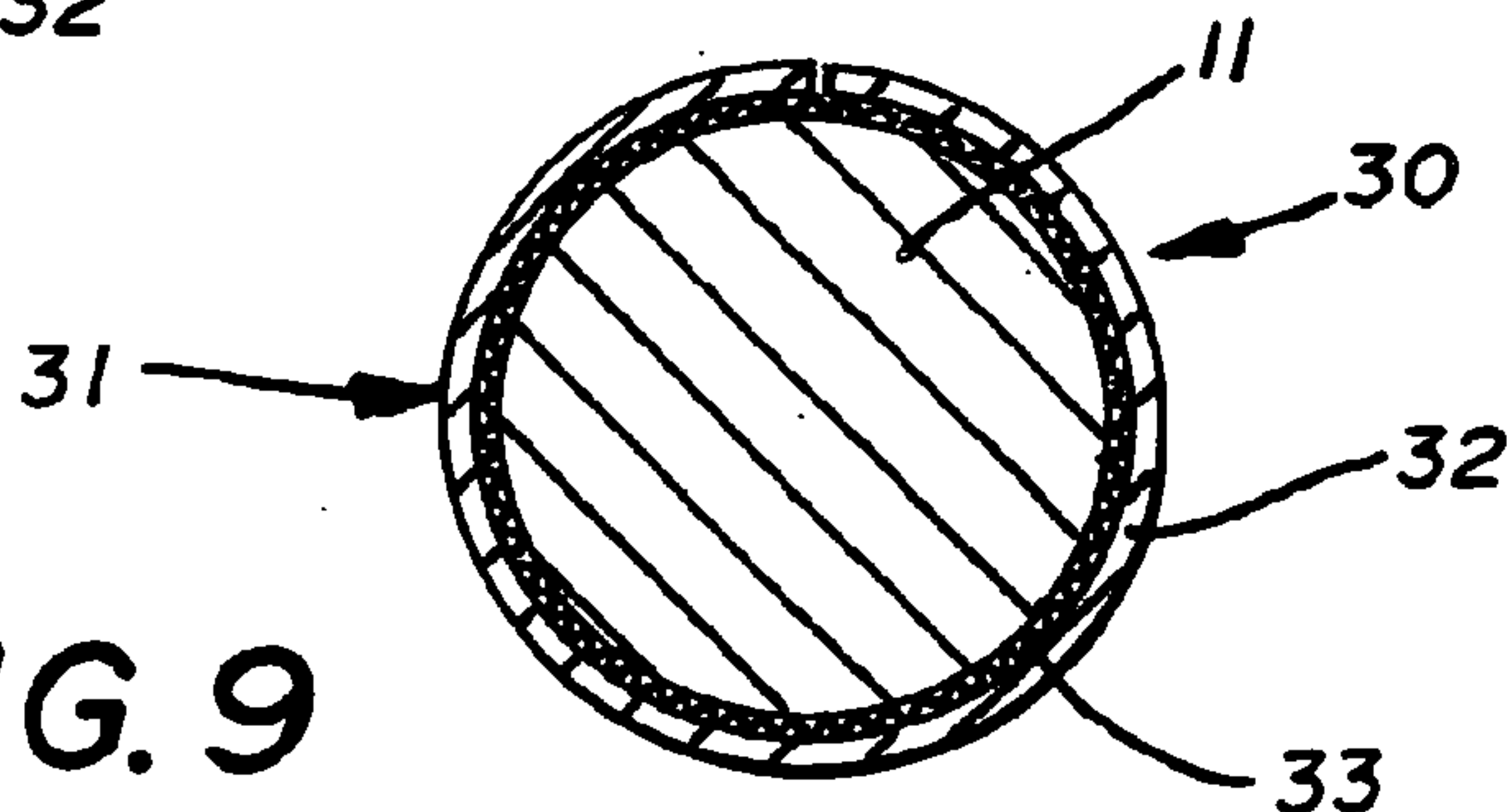


FIG. 9

