



US00D890313S

(12) **United States Design Patent**
Stevenson et al.

(10) **Patent No.:** US D890,313 S

(45) **Date of Patent:** ** Jul. 14, 2020

- (54) **TOILET**
- (71) Applicant: **Kohler Mira Limited**, Gloucestershire (GB)
- (72) Inventors: **Robert Karl Stevenson**, London (GB); **Alexander Muspratt-Williams**, London (GB); **Mimi Jiang**, Shanghai (CN)
- (73) Assignee: **KOHLER CO.**, Kohler, WI (US)
- (**) Term: **15 Years**
- (21) Appl. No.: **29/660,513**
- (22) Filed: **Aug. 21, 2018**

D393,060 S	3/1998	Ehrensperger	
D398,383 S	9/1998	Kergoet	
D399,294 S	10/1998	Kawamura	
D412,742 S	8/1999	Soulier	
D455,202 S	4/2002	Soulier	
D455,203 S	4/2002	Jones	
D455,477 S	4/2002	Soulier	
D496,444 S	9/2004	Kergoet	
D536,428 S	2/2007	Kohler, Jr. et al.	
D536,771 S	2/2007	Chenesseau	
D558,313 S	* 12/2007	Igarashi	D23/295
D585,128 S	1/2009	Slothrower	
D587,356 S	2/2009	Cummings	
D612,026 S	3/2010	Soulier	
D613,836 S	4/2010	Soulier	
D615,635 S	5/2010	Hanna	
D616,077 S	* 5/2010	Lin	D23/301
D624,165 S	9/2010	Yokoyama	
D624,997 S	10/2010	Schonherr	
D637,702 S	5/2011	Rexach	

(Continued)

Related U.S. Application Data

- (62) Division of application No. 29/618,830, filed on Sep. 25, 2017, now Pat. No. Des. 829,311, which is a division of application No. 29/566,499, filed on May 31, 2016, now Pat. No. Des. 802,106.

Primary Examiner — Lakiya G Rogers
Assistant Examiner — John A Voytek
 (74) *Attorney, Agent, or Firm* — Foley & Lardner LLP

- (51) **LOC (12) Cl.** **23-02**
- (52) **U.S. Cl.**
USPC **D23/309**
- (58) **Field of Classification Search**
USPC D23/295–301, 303, 309, 311–313
CPC A47K 11/02; A47K 11/026; A47K 11/00;
A47K 13/00; E03D 11/18; E03D 5/10;
E03D 13/00
See application file for complete search history.

(57) **CLAIM**

We claim the ornamental design for a toilet, as shown and described.

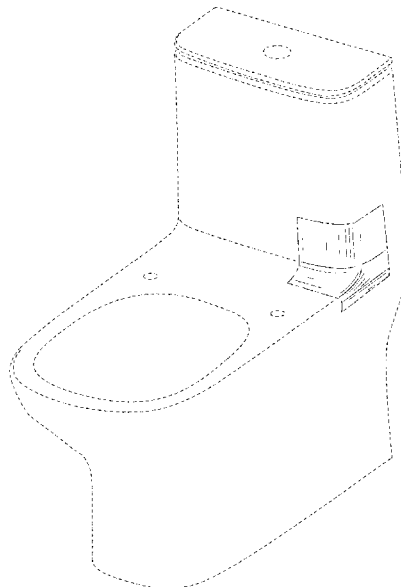
DESCRIPTION

FIG. 1 is a perspective view of the claimed design;
 FIG. 2 is a front view of FIG. 1;
 FIG. 3 is a side view of FIG. 1;
 FIG. 4 is a top view of FIG. 1; and
 FIG. 5 is a bottom view of FIG. 1.
 The broken lines in the drawings form no part of the claimed design. Broken lines formed by equal length dashes show unclaimed subject matter. Broken lines formed of unequal length dashes (i.e., dash-dot) define bounds of the claimed design.

(56) **References Cited**
 U.S. PATENT DOCUMENTS

D309,939 S	8/1990	Yvetot
D311,242 S	10/1990	Reid
D332,137 S	12/1992	Kohler, Jr. et al.
D349,156 S	7/1994	Kohler, Jr. et al.
D352,772 S	11/1994	Kohler, Jr. et al.

1 Claim, 5 Drawing Sheets



(56)

References Cited

U.S. PATENT DOCUMENTS

D646,366	S	10/2011	Palomba	
D654,993	S	2/2012	Ando	
D687,936	S	8/2013	Kennedy	
D694,379	S	11/2013	Bates	
D702,823	S	4/2014	Spangler	
D735,305	S	7/2015	Obara	
D760,366	S	6/2016	Cummings	
D764,033	S	8/2016	Chuk	
D765,228	S	8/2016	Cummings	
D782,634	S *	3/2017	Reid	D23/309
D798,425	S *	9/2017	Mesun	D23/301
D802,105	S *	11/2017	Stevenson	D23/301
D802,106	S *	11/2017	Stevenson	D23/301
D858,723	S *	9/2019	Cummings	D23/301

* cited by examiner

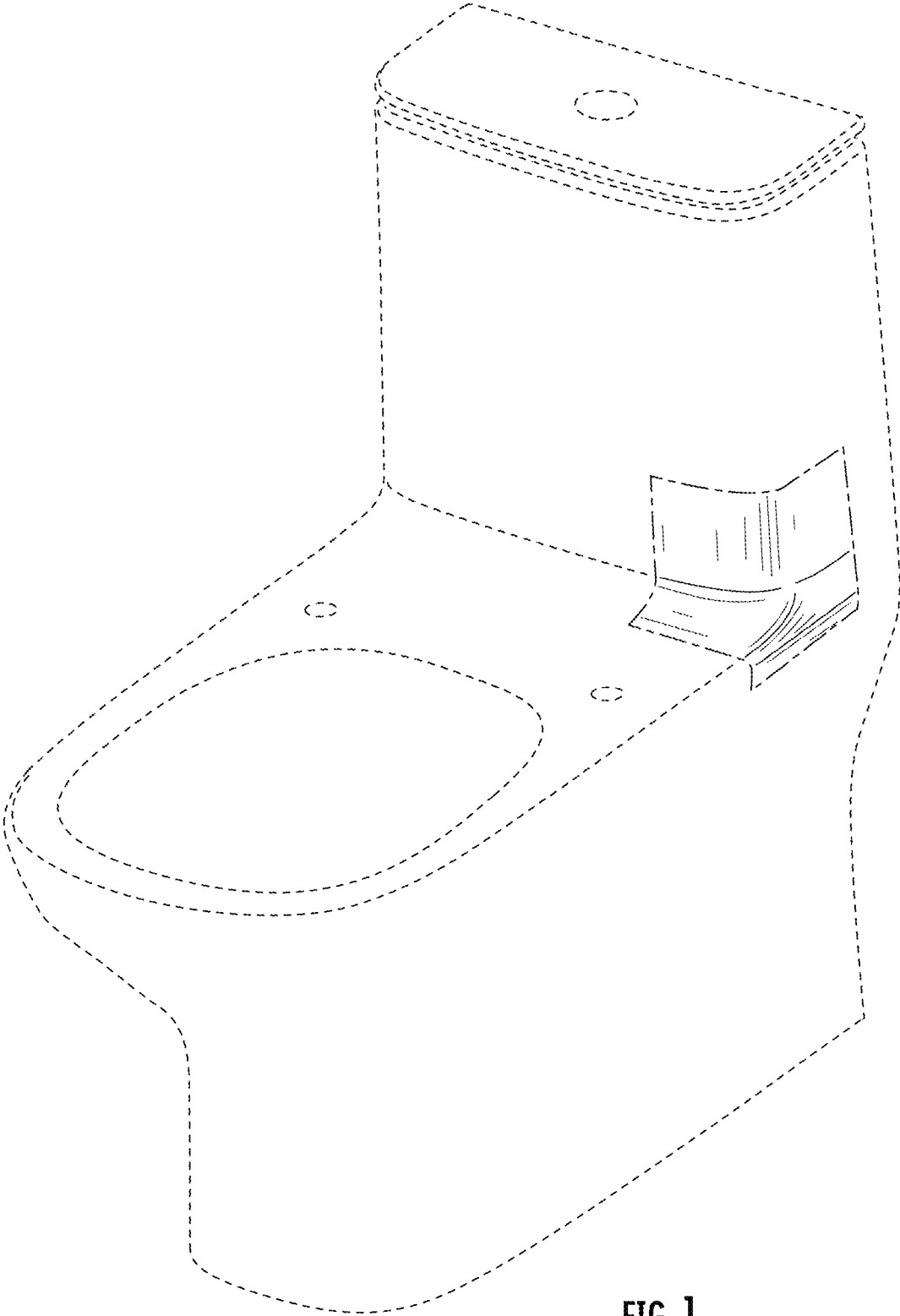


FIG. 1

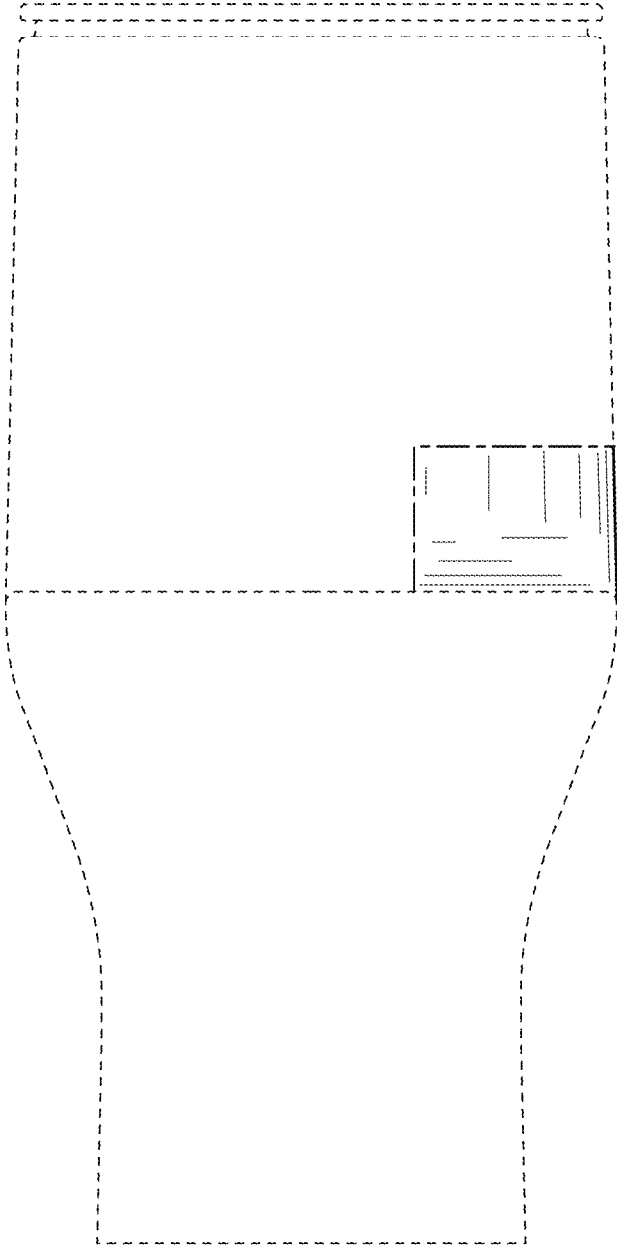


FIG. 2

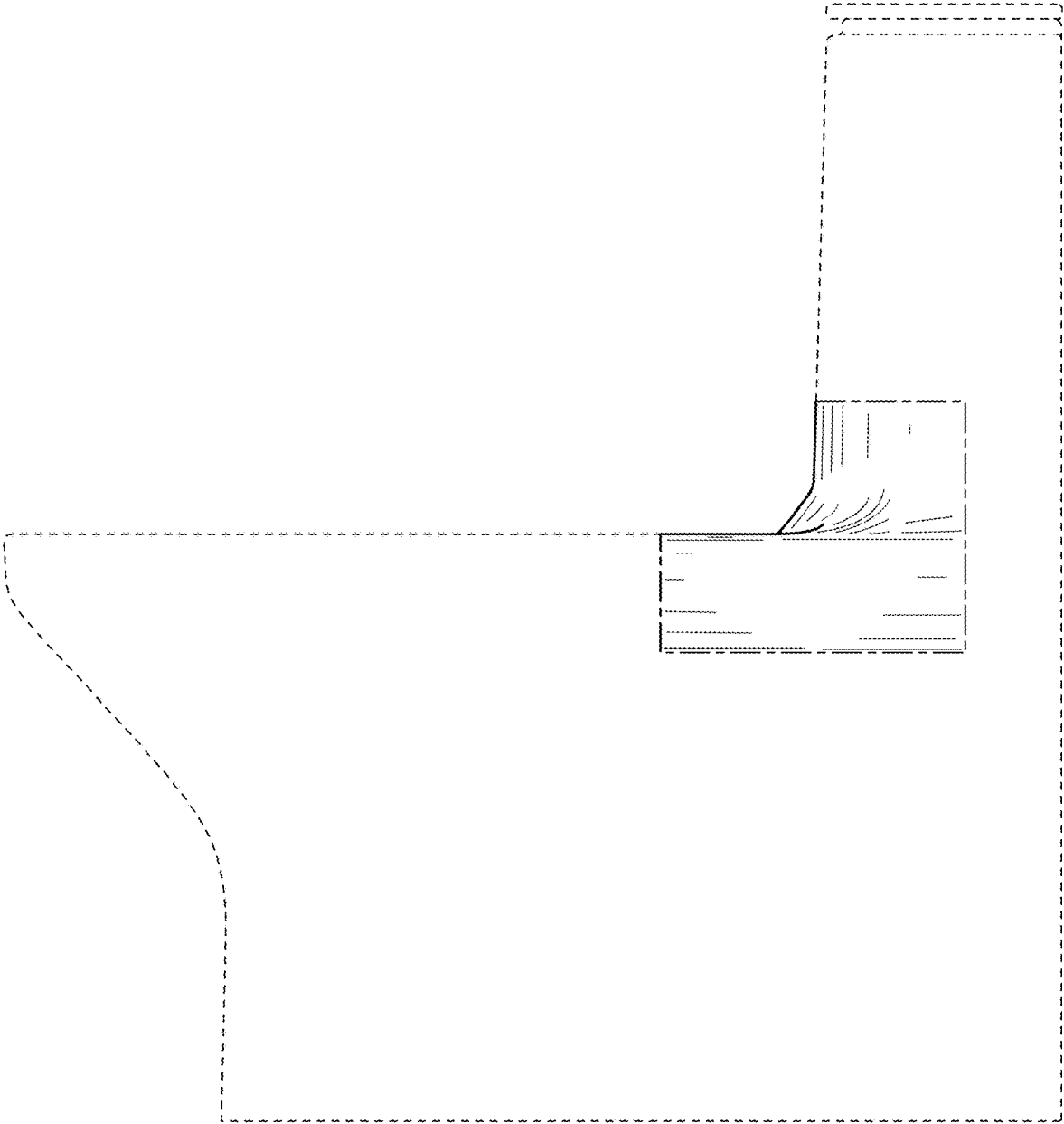


FIG. 3

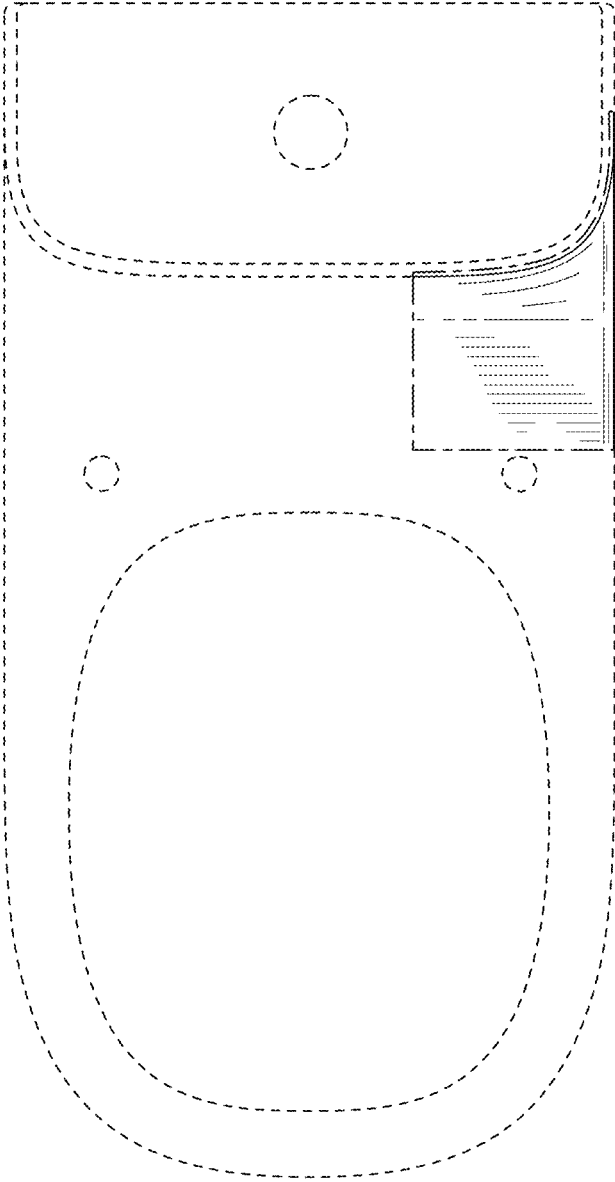


FIG. 4

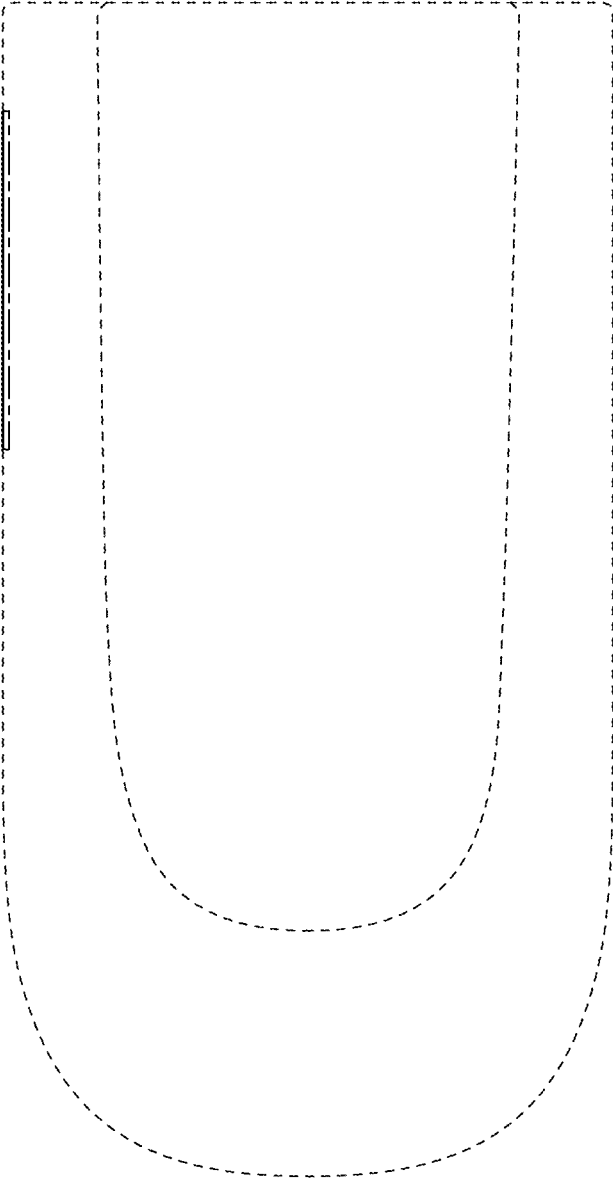


FIG. 5