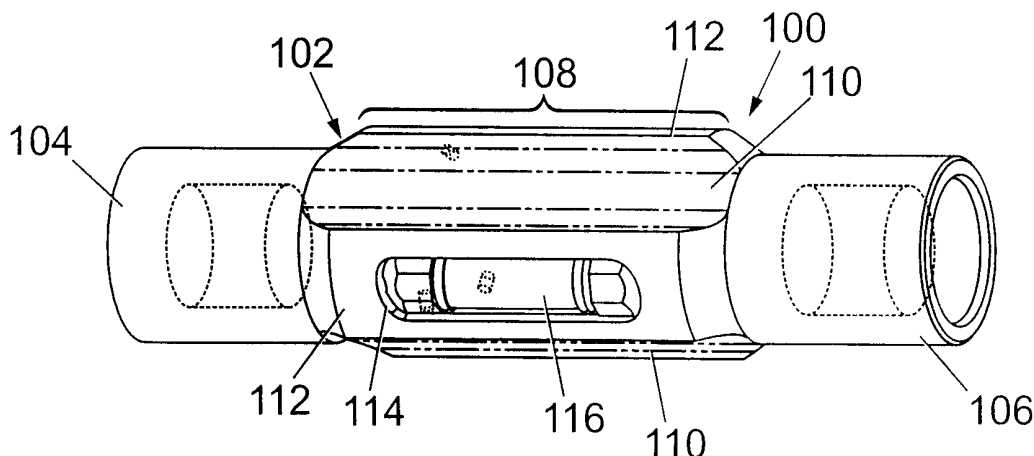




INTERNATIONAL APPLICATION PUBLISHED UNDER THE PATENT COOPERATION TREATY (PCT)

<p>(51) International Patent Classification ⁷ : E21B 29/00, B21D 17/04, 39/04, E21B 29/10, B21D 39/10</p>	A3	<p>(11) International Publication Number: WO 00/37766</p> <p>(43) International Publication Date: 29 June 2000 (29.06.00)</p>												
<p>(21) International Application Number: PCT/GB99/04225</p> <p>(22) International Filing Date: 21 December 1999 (21.12.99)</p> <p>(30) Priority Data:</p> <table border="0"> <tr> <td>9828234.6</td> <td>22 December 1998 (22.12.98)</td> <td>GB</td> </tr> <tr> <td>9900835.1</td> <td>15 January 1999 (15.01.99)</td> <td>GB</td> </tr> <tr> <td>9923783.6</td> <td>8 October 1999 (08.10.99)</td> <td>GB</td> </tr> <tr> <td>9924189.5</td> <td>13 October 1999 (13.10.99)</td> <td>GB</td> </tr> </table> <p>(71) Applicant (for all designated States except US): ASTEC DEVELOPMENTS LIMITED [GB/GB]; Burn of Daff Farm, Downies, Portlethen, Aberdeen AB1 4QX (GB).</p> <p>(72) Inventor; and</p> <p>(75) Inventor/Applicant (for US only): SIMPSON, Neil, Andrew, Abercrombie [GB/GB]; Burn of Daff Farm, Downies, Portlethen, Aberdeen AB1 4QX (GB).</p> <p>(74) Agent: PACITTI, Paolo; Murgitroyd & Company, 373 Scotland Street, Glasgow G5 8QA (GB).</p>		9828234.6	22 December 1998 (22.12.98)	GB	9900835.1	15 January 1999 (15.01.99)	GB	9923783.6	8 October 1999 (08.10.99)	GB	9924189.5	13 October 1999 (13.10.99)	GB	<p>(81) Designated States: AE, AL, AM, AT, AU, AZ, BA, BB, BG, BR, BY, CA, CH, CN, CR, CU, CZ, DE, DK, DM, EE, ES, FI, GB, GD, GE, GH, GM, HR, HU, ID, IL, IN, IS, JP, KE, KG, KP, KR, KZ, LC, LK, LR, LS, LT, LU, LV, MA, MD, MG, MK, MN, MW, MX, NO, NZ, PL, PT, RO, RU, SD, SE, SG, SI, SK, SL, TJ, TM, TR, TT, TZ, UA, UG, US, UZ, VN, YU, ZA, ZW, ARIPO patent (GH, GM, KE, LS, MW, SD, SL, SZ, TZ, UG, ZW), Eurasian patent (AM, AZ, BY, KG, KZ, MD, RU, TJ, TM), European patent (AT, BE, CH, CY, DE, DK, ES, FI, FR, GB, GR, IE, IT, LU, MC, NL, PT, SE), OAPI patent (BF, BJ, CF, CG, CI, CM, GA, GN, GW, ML, MR, NE, SN, TD, TG).</p> <p>Published With international search report.</p> <p>(88) Date of publication of the international search report: 16 November 2000 (16.11.00)</p>
9828234.6	22 December 1998 (22.12.98)	GB												
9900835.1	15 January 1999 (15.01.99)	GB												
9923783.6	8 October 1999 (08.10.99)	GB												
9924189.5	13 October 1999 (13.10.99)	GB												

(54) Title: PROCEDURES AND EQUIPMENT FOR PROFILING AND JOINTING OF PIPES



(57) Abstract

Methods and apparatus for shaping pipes, tubes, liners, or casing at downhole locations in wells. Use is made of rollers bearing radially outwards against the inside wall of the pipe (etc.), the rollers being rolled around the pipe to cause outward plastic deformation which expands and shapes the pipe to a desired profile. Where one pipe is inside another, the two pipes can be joined without separate components (except optional seals). Landing nipples and liner hangers can be formed in situ. Valves can be deployed to a selected downhole location and there sealed to the casing or liner without separate packers. Casing can be deployed downhole in reduced-diameter lengths and then expanded to case a well without requiring larger diameter bores and casing further uphole. The invention enables simplified downhole working, and enables a well to be drilled and produced with the minimum downhole bore throughout its depth, obviating the need for large bores. When expanding lengths of casing, the casing does not need to be anchored or made pressure-tight. The profiling/expansion tools of the invention can be deployed downhole on coiled tubing, and operated without high tensile loads on the coiled tubing.

FOR THE PURPOSES OF INFORMATION ONLY

Codes used to identify States party to the PCT on the front pages of pamphlets publishing international applications under the PCT.

AL	Albania	ES	Spain	LS	Lesotho	SI	Slovenia
AM	Armenia	FI	Finland	LT	Lithuania	SK	Slovakia
AT	Austria	FR	France	LU	Luxembourg	SN	Senegal
AU	Australia	GA	Gabon	LV	Latvia	SZ	Swaziland
AZ	Azerbaijan	GB	United Kingdom	MC	Monaco	TD	Chad
BA	Bosnia and Herzegovina	GE	Georgia	MD	Republic of Moldova	TG	Togo
BB	Barbados	GH	Ghana	MG	Madagascar	TJ	Tajikistan
BE	Belgium	GN	Guinea	MK	The former Yugoslav Republic of Macedonia	TM	Turkmenistan
BF	Burkina Faso	GR	Greece			TR	Turkey
BG	Bulgaria	HU	Hungary	ML	Mali	TT	Trinidad and Tobago
BJ	Benin	IE	Ireland	MN	Mongolia	UA	Ukraine
BR	Brazil	IL	Israel	MR	Mauritania	UG	Uganda
BY	Belarus	IS	Iceland	MW	Malawi	US	United States of America
CA	Canada	IT	Italy	MX	Mexico	UZ	Uzbekistan
CF	Central African Republic	JP	Japan	NE	Niger	VN	Viet Nam
CG	Congo	KE	Kenya	NL	Netherlands	YU	Yugoslavia
CH	Switzerland	KG	Kyrgyzstan	NO	Norway	ZW	Zimbabwe
CI	Côte d'Ivoire	KP	Democratic People's Republic of Korea	NZ	New Zealand		
CM	Cameroon	KR	Republic of Korea	PL	Poland		
CN	China	KZ	Kazakstan	PT	Portugal		
CU	Cuba	LC	Saint Lucia	RO	Romania		
CZ	Czech Republic	LI	Liechtenstein	RU	Russian Federation		
DE	Germany	LK	Sri Lanka	SD	Sudan		
DK	Denmark	LR	Liberia	SE	Sweden		
EE	Estonia			SG	Singapore		

INTERNATIONAL SEARCH REPORT

Int. National Application No PCT/GB 99/04225

A. CLASSIFICATION OF SUBJECT MATTER
 IPC 7 E21B29/00 B21D17/04 B21D39/04 E21B29/10 B21D39/10

According to International Patent Classification (IPC) or to both national classification and IPC

B. FIELDS SEARCHED
 Minimum documentation searched (classification system followed by classification symbols)
 IPC 7 E21B B21D

Documentation searched other than minimum documentation to the extent that such documents are included in the fields searched

Electronic data base consulted during the international search (name of data base and, where practical, search terms used)
 EPO-Internal, TULSA, WPI Data

C. DOCUMENTS CONSIDERED TO BE RELEVANT		
Category °	Citation of document, with indication, where appropriate, of the relevant passages	Relevant to claim No.
X	US 2 383 214 A (A.L. PROUT) 21 August 1945 (1945-08-21) page 2, column 1, line 6-14; figures 1,2 ---	1-6, 14, 19, 22, 25
X	US 2 627 891 A (P.B. CLARK) 10 February 1953 (1953-02-10) column 4, line 18-73; figures 1,2,4 ---	1-6, 14, 19, 22, 25
A	WO 93 24728 A (ASTEC DEV LTD ;SIMPSON NEIL ANDREW ABERCROMBI (GB); COEY RAYMOND P) 9 December 1993 (1993-12-09) cited in the application page 13, line 22 -page 14, line 13; figure 1 ---	1, 14, 25
A	US 3 818 734 A (J.W. BATEMAN) 25 June 1974 (1974-06-25) the whole document ---	1, 14, 25
-/--		

Further documents are listed in the continuation of box C. Patent family members are listed in annex.

° Special categories of cited documents :

<p>"A" document defining the general state of the art which is not considered to be of particular relevance</p> <p>"E" earlier document but published on or after the international filing date</p> <p>"L" document which may throw doubts on priority claim(s) or which is cited to establish the publication date of another citation or other special reason (as specified)</p> <p>"O" document referring to an oral disclosure, use, exhibition or other means</p> <p>"P" document published prior to the international filing date but later than the priority date claimed</p>	<p>"T" later document published after the international filing date or priority date and not in conflict with the application but cited to understand the principle or theory underlying the invention</p> <p>"X" document of particular relevance; the claimed invention cannot be considered novel or cannot be considered to involve an inventive step when the document is taken alone</p> <p>"Y" document of particular relevance; the claimed invention cannot be considered to involve an inventive step when the document is combined with one or more other such documents, such combination being obvious to a person skilled in the art.</p> <p>"&" document member of the same patent family</p>
--	--

Date of the actual completion of the international search 16 June 2000	Date of mailing of the international search report 28.06.00
--	---

Name and mailing address of the ISA European Patent Office, P.B. 5818 Patentlaan 2 NL - 2280 HV Rijswijk Tel. (+31-70) 340-2040, Tx. 31 651 epo nl, Fax: (+31-70) 340-3016	Authorized officer Schouten, A
--	--

INTERNATIONAL SEARCH REPORT

International Application No

PCT/GB 99/04225

C.(Continuation) DOCUMENTS CONSIDERED TO BE RELEVANT		
Category	Citation of document, with indication, where appropriate, of the relevant passages	Relevant to claim No.
X	US 2 754 577 A (C.A. MAXWELL) 17 July 1956 (1956-07-17) column 2, line 21-39 column 3, line 39-42 ----	8,9,11, 12,29-32
X	US 2 898 971 A (G.A. HEMPEL) 11 August 1959 (1959-08-11) claim 1; figures 1-5 ----	8-10, 29-31
Y	----	33
Y	US 4 371 199 A (KUSHNER GERALD J ET AL) 1 February 1983 (1983-02-01) column 2, line 43-51; figure 2 -----	33

INTERNATIONAL SEARCH REPORT

International application No.
PCT/GB 99/04225

Box I Observations where certain claims were found unsearchable (Continuation of item 1 of first sheet)

This International Search Report has not been established in respect of certain claims under Article 17(2)(a) for the following reasons:

1. Claims Nos.:
because they relate to subject matter not required to be searched by this Authority, namely:

2. Claims Nos.:
because they relate to parts of the International Application that do not comply with the prescribed requirements to such an extent that no meaningful International Search can be carried out, specifically:

3. Claims Nos.:
because they are dependent claims and are not drafted in accordance with the second and third sentences of Rule 6.4(a).

Box II Observations where unity of invention is lacking (Continuation of item 2 of first sheet)

This International Searching Authority found multiple inventions in this international application, as follows:

see additional sheet

1. As all required additional search fees were timely paid by the applicant, this International Search Report covers all searchable claims.
2. As all searchable claims could be searched without effort justifying an additional fee, this Authority did not invite payment of any additional fee.
3. As only some of the required additional search fees were timely paid by the applicant, this International Search Report covers only those claims for which fees were paid, specifically claims Nos.:
4. No required additional search fees were timely paid by the applicant. Consequently, this International Search Report is restricted to the invention first mentioned in the claims; it is covered by claims Nos.:

Remark on Protest

- The additional search fees were accompanied by the applicant's protest.
- No protest accompanied the payment of additional search fees.

FURTHER INFORMATION CONTINUED FROM PCT/ISA/ 210

This International Searching Authority found multiple (groups of) inventions in this international application, as follows:

1. Claims: 1-7,14-28

Method and apparatus for profiling a pipe or other hollow tubular article,

2. Claims: 8-13,29-33

A method of conjoining two pipes or other hollow tubular articles.

INTERNATIONAL SEARCH REPORT

Information on patent family members

International Application No

PCT/GB 99/04225

Patent document cited in search report	Publication date	Patent family member(s)	Publication date
US 2383214 A	21-08-1945	NONE	
US 2627891 A	10-02-1953	NONE	
WO 9324728 A	09-12-1993	AU 4335693 A GB 2282170 A,B US 5649603 A	30-12-1993 29-03-1995 22-07-1997
US 3818734 A	25-06-1974	NONE	
US 2754577 A	17-07-1956	NONE	
US 2898971 A	11-08-1959	NONE	
US 4371199 A	01-02-1983	US 4330924 A BR 8100602 A CA 1162497 A DE 3102576 A FR 2474903 A JP 56127878 A	25-05-1982 18-08-1981 21-02-1984 07-01-1982 07-08-1981 06-10-1981