



US00D657462S

(12) **United States Design Patent**
Siroky

(10) **Patent No.:** **US D657,462 S**

(45) **Date of Patent:** **** Apr. 10, 2012**

(54) **LIQUID DISPENSING SYRINGE BARREL**

(75) Inventor: **Vladimir Siroky**, Bayside, NY (US)

(73) Assignee: **I & J Fisnar, Inc.**, Wayne, NJ (US)

(**) Term: **14 Years**

(21) Appl. No.: **29/400,918**

(22) Filed: **Sep. 2, 2011**

(51) **LOC (9) Cl.** **24-02**

(52) **U.S. Cl.** **D24/130**

(58) **Field of Classification Search** D24/112,
D24/114, 130; 206/365; 604/181, 189, 187,
604/232

See application file for complete search history.

(56) **References Cited**

U.S. PATENT DOCUMENTS

5,348,585	A *	9/1994	Weston	118/305
5,718,690	A *	2/1998	Gettig	604/232
D412,206	S *	7/1999	Basile et al.	D24/130
5,985,962	A *	11/1999	Knors et al.	524/101
D420,129	S *	2/2000	McMahon	D24/130
D460,820	S *	7/2002	Niedospial, Jr.	D24/130
D461,243	S *	8/2002	Niedospial, Jr.	D24/130
6,736,799	B1 *	5/2004	Erbe et al.	604/181
D543,278	S *	5/2007	Numata et al.	D24/130
D588,693	S *	3/2009	Strong et al.	D24/129
D623,291	S *	9/2010	Strong et al.	D24/130
2005/0119620	A1 *	6/2005	Tachikawa et al.	604/187
2006/0084917	A1 *	4/2006	Chen	604/110
2007/0287965	A1 *	12/2007	Strong et al.	604/218
2008/0147015	A1 *	6/2008	Ortenzi et al.	604/232
2009/0157044	A1 *	6/2009	Liyanagama et al.	604/512
2011/0106015	A1 *	5/2011	Liscio et al.	604/187

* cited by examiner

Primary Examiner — T. Chase Nelson

Assistant Examiner — Eric Goodman

(74) *Attorney, Agent, or Firm* — Reinhart Boerner Van Deuren S.C.

(57) **CLAIM**

The ornamental design for a liquid dispensing syringe barrel, as shown and described.

DESCRIPTION

FIG. 1 is an isometric view of a liquid dispensing syringe barrel showing my design from the top, the front, and the left side;

FIG. 2 is a front plan view of the liquid dispensing syringe barrel illustrated in FIG. 1, the rear of the liquid dispensing syringe barrel opposite the front illustrated in FIG. 2 being a mirror image thereof;

FIG. 3 is a right side view of the liquid dispensing syringe barrel illustrated in FIGS. 1 and 2, the left side of the liquid dispensing syringe barrel opposite the right side illustrated in FIG. 2 being a mirror image thereof;

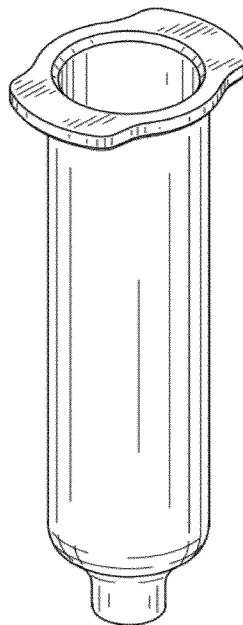
FIG. 4 is a top plan view of the liquid dispensing syringe barrel illustrated in FIGS. 1 through 3;

FIG. 5 is a bottom plan view of the liquid dispensing syringe barrel illustrated in FIGS. 1 through 4; and,

FIG. 6 is an isometric view of the liquid dispensing syringe barrel illustrated in FIGS. 1 through 5 from the bottom, the back, and the right side.

The ornamental design which is claimed is shown in solid lines in the drawings. The broken lines and unshaded surfaces in the drawings are for illustrative purposes only and form no part of the claimed design.

1 Claim, 4 Drawing Sheets



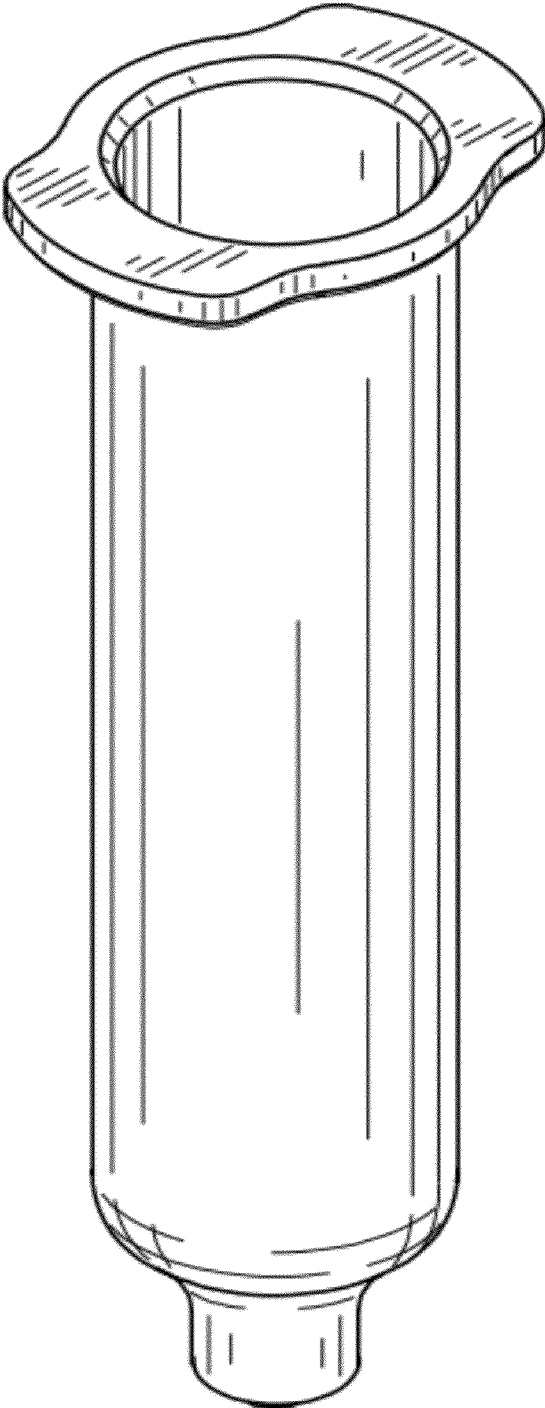


FIG. 1

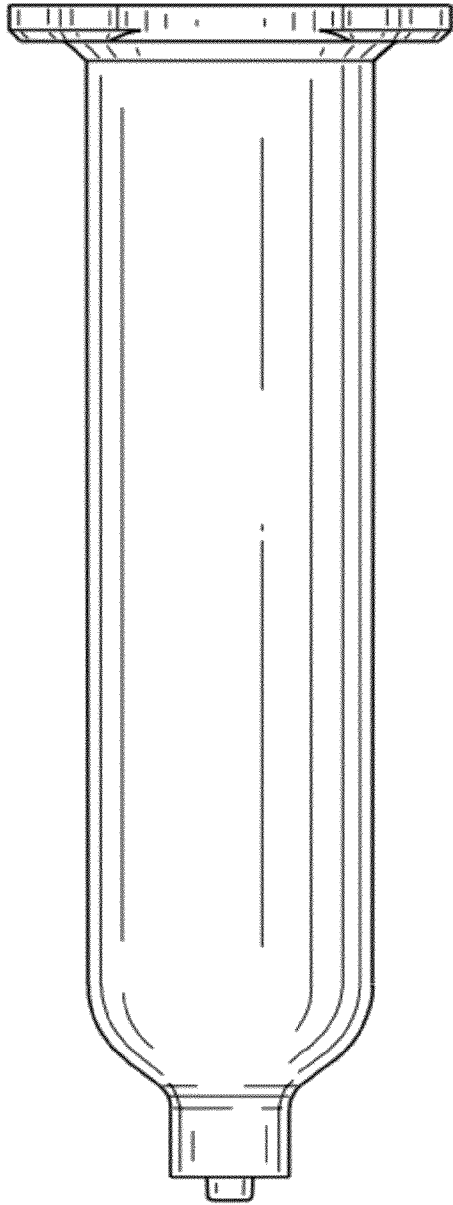


FIG. 2

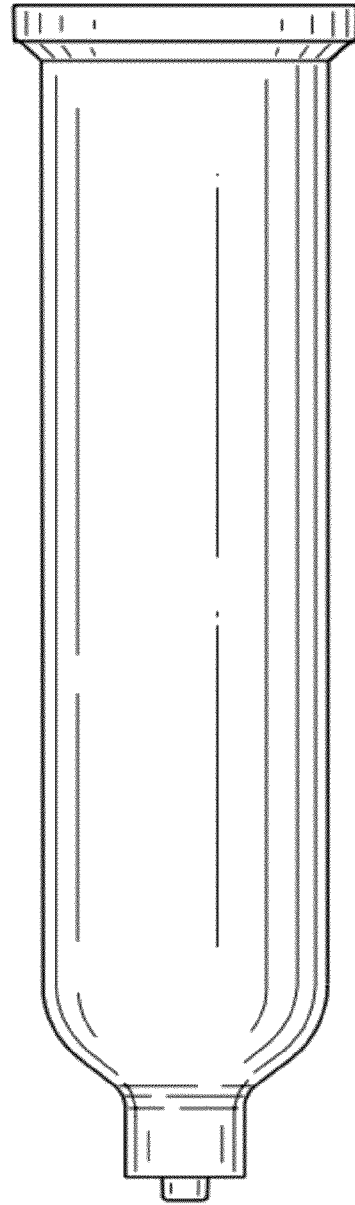


FIG. 3

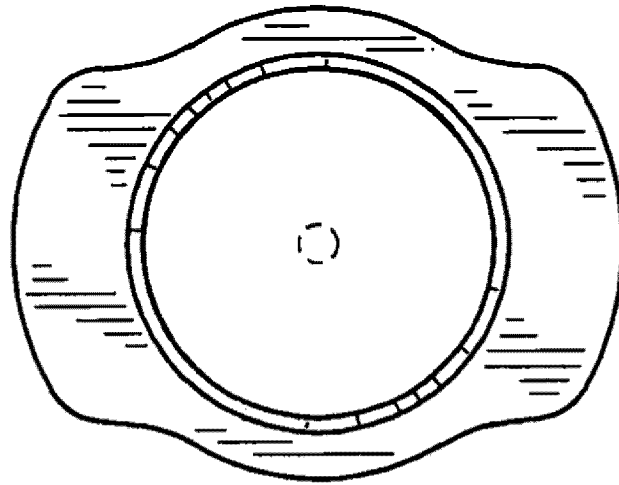


FIG. 4

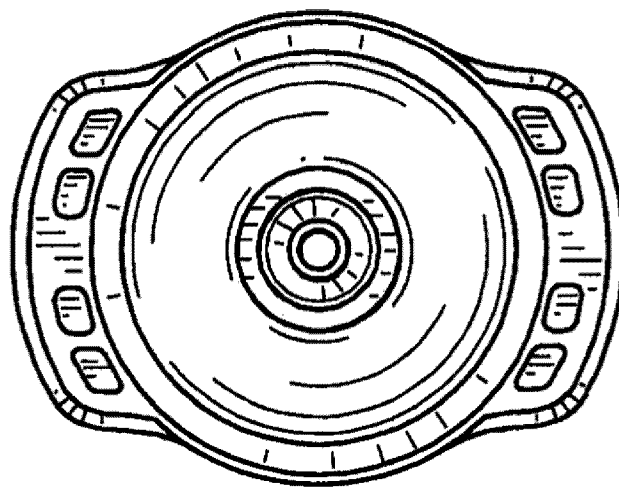


FIG. 5

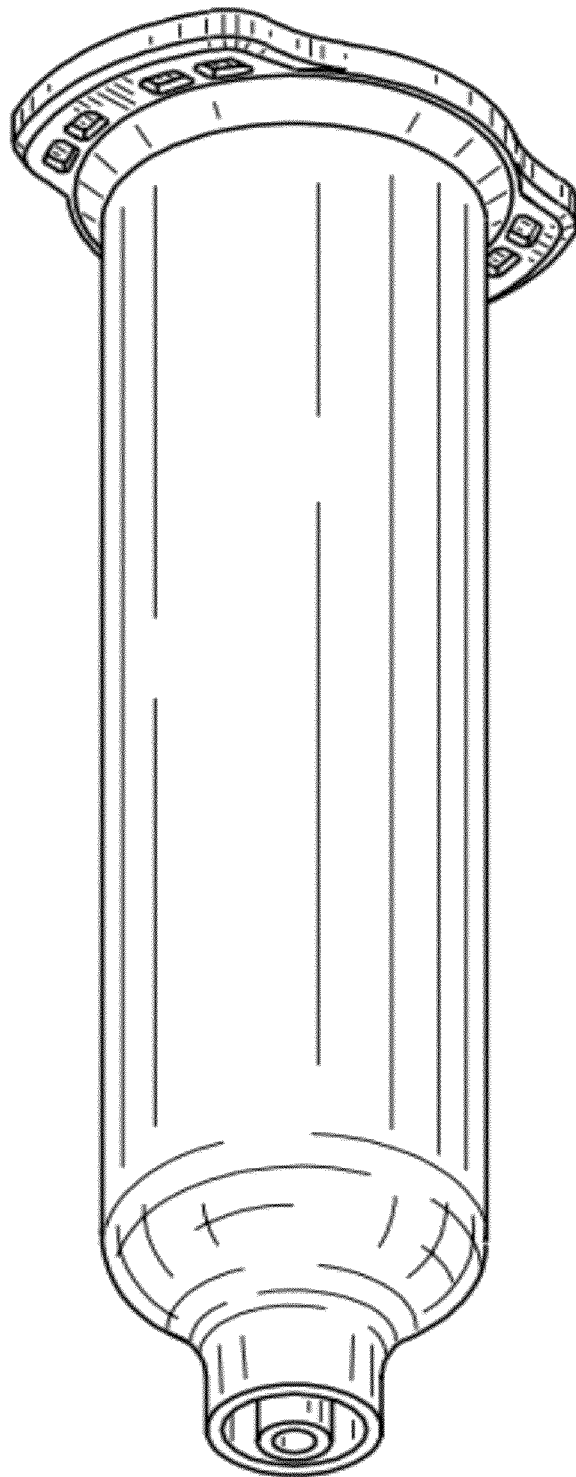


FIG. 6