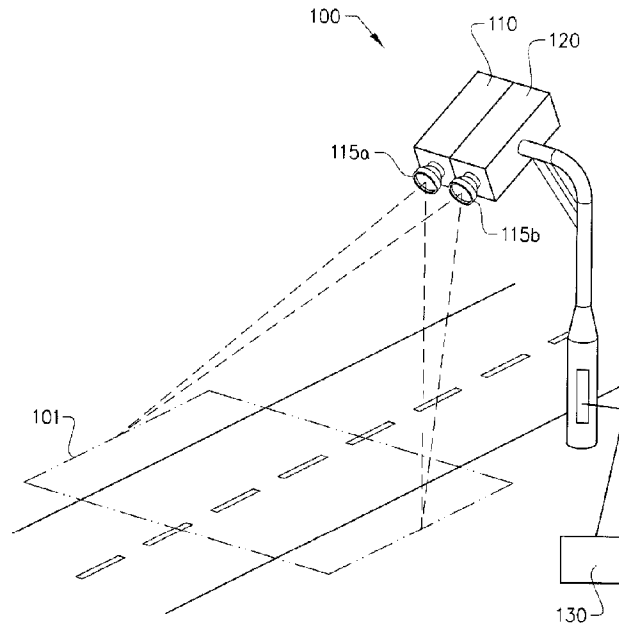




(22) Date de dépôt/Filing Date: 2014/06/26
(41) Mise à la disp. pub./Open to Public Insp.: 2015/01/03
(45) Date de délivrance/Issue Date: 2021/12/28
(30) Priorité/Priority: 2013/07/03 (EP13174967.3)

(51) Cl.Int./Int.Cl. *G03B 43/00* (2021.01),
G08G 1/00 (2006.01), *H04N 17/00* (2006.01),
H04N 13/204 (2018.01)
(72) Inventeur/Inventor:
CRONA, BJORN, SE
(73) Propriétaire/Owner:
KAPSCH TRAFFICCOM AB, SE
(74) Agent: ROWAND LLP

(54) Titre : PROCÉDE DE DETERMINATION DE LA CONTAMINATION SUR LA LENTILLE D'UNE CAMERA STEREOSCOPIQUE
(54) Title: METHOD FOR IDENTIFICATION OF CONTAMINATION UPON A LENS OF A STEREOSCOPIC CAMERA



(57) **Abrégé/Abstract:**

A stereoscopic camera has a first camera providing first images of a capturing area and a second camera providing second images of a capturing area. The first and second images are divided into at least one evaluation area correspondently located in respective image. The method forming historical image data for said evaluation area, wherein said historical image data comprises an image parameter representing the respective evaluation area from a predetermined number of previously captured first and second images, comparing said historical image data for the evaluation area of said first image with historical image data for the evaluation area of said second image, and indicating that at least one lens of said stereoscopic camera is contaminated, if a deviation between the compared historical image data is identified.

ABSTRACT

A stereoscopic camera has a first camera providing first images of a capturing area and a second camera providing second images of a capturing area. The first and second images are
5 divided into at least one evaluation area correspondently located in respective image. The method forming historical image data for said evaluation areas, wherein said historical image data comprises an image parameter representing the respective evaluation area from a predetermined number of previously captured first and second images, comparing said historical image data for the evaluation area of said first image with historical image data for
10 the evaluation area of said second image, and indicating that at least one lens of said stereoscopic camera is contaminated, if a deviation between the compared historical image data is identified.

Method for identification of contamination upon a lens of a stereoscopic camera

TECHNICAL FIELD

This invention relates to a method for identifying contamination upon a lens of a stereoscopic camera. The invention further relates to a method for compensating for contamination upon a lens of said stereoscopic camera. Another aspect of the invention is a road surveillance facility
5 utilizing a method for identifying contamination upon a lens of a stereoscopic camera. The invention is particularly advantageous in harsh environments, such as in close proximity of a busy road.

BACKGROUND ART

10 Stereoscopic computer vision uses a stereoscopic camera, i.e. two slightly spaced apart cameras looking at the same area, to measure distances from the camera. Since the two cameras are spaced apart, they see the area from different angles and therefore render somewhat different images of the exposed area. The differences between the images from the two cameras can be used to calculate depth and distances. However, a stereoscopic system
15 for measuring distances is highly vulnerable to contamination upon the camera lenses. A difference between the images caused by dirt may either be misinterpreted as a distance, or a distance may be overlooked or incorrectly measured due to the presence of contamination on the lenses. Despite this, stereoscopic systems sometimes operate in harsh environments where the camera lenses are exposed to contamination, e.g. in roadside systems, resulting in
20 less functional systems.

EP 2 381 416 A1 describes a method reconstructing optically occluded parts of an image captured by a stereoscopic camera. The idea is to use the redundancy of the stereo camera pair to reconstruct the distorted images. The method renders just one reconstructed image out of the pair of images from the stereoscopic camera, and hence the depth information is
25 lost.

There is thus a need for a method that reduces the effects of the above mentioned disadvantages.

SUMMARY OF THE INVENTION

An object of the present invention is to provide a method for identifying contamination upon a lens of a stereoscopic camera. Further aspects may include a method for compensating an image for contamination upon a lens and the generation of a warning message at a predetermined level
5 of contamination.

The invention concerns a method for identifying contamination upon a lens of a stereoscopic camera. The method of the invention relates to a stereoscopic camera arranged such that a capturing area of said stereoscopic camera is predefined, such that images from said stereoscopic camera have the same capturing area over time. For example, the capturing area may be a road
10 section at a road toll facility, a road crossing, or a road tunnel. The stereoscopic camera is provided with a first camera adapted to cover said capturing area by providing first images of said capturing area and with a second camera adapted to cover said capturing area by providing second images of said capturing area. The first and second cameras are adjusted relative to each other so that they both have a specific plane within the capturing area at a common height. This
15 plane is normally the plane of the supervised road. Said first images are divided into at least one evaluation area and said second images are divided into at least one evaluation area, wherein the respective evaluation area of said first and said second images are correspondently located in respective image.

The method for identifying contamination upon a lens of the stereoscopic camera comprises the
20 steps of:

- forming historical image data for the evaluation areas, wherein said historical image data comprises an image parameter representing the respective evaluation area from a predetermined number of previously captured first and second images,
- comparing said historical image data for the evaluation area of said first image with
25 historical image data for the evaluation area of said second image, and
- indicating that at least one lens of said stereoscopic camera is contaminated, if a deviation larger than a threshold value between the compared historical image data is identified.

For a stereoscopic camera that has a fixed position, the background usually looks the same over time. By comparing the behaviour between a certain evaluation area in a first image from the first camera and the evaluation area at the same position in the corresponding second image from the second camera, it can be identified if there is dirt upon one of the camera lenses. The reason for comparing historical image data collected from a number of previously captured images is to avoid misinterpreting temporary obstructions such as passing insects, passing vehicles, raindrops or snowflakes as lens contamination, whereby only obstructions that have stayed upon or close to the lens for a predetermined period of time should be identified as lens contamination. The image parameter comprised in the historical image data can be brightness, a colour channel, contrast or any other suitable image parameter. In order not to mistake small, normal variations between the first and second images as contamination, said deviation between the compared historical image data has to be larger than a threshold value before indicating at least one lens as contaminated.

The advantage of the described method is that contamination upon a lens of a stereoscopic camera automatically can be identified by the stereoscopic system itself. The advantage is accomplished through the use of the above described historical image data, which allows that only obstructions that have stayed upon or close to the lens are identified as lens contamination while temporary obstructions are ignored.

The method may further comprise the steps of:

- identifying a minimum value and a maximum value of said image parameter from said historical image data for each evaluation area,
- calculating a first difference value between said minimum and said maximum value for each evaluation area,
- comparing said first difference value from the evaluation area of said first images with said first difference value from the evaluation area of said second images, and
- identifying the evaluation area of said first or second images associated with the lowest first difference value as obstructed by contamination on the lens.

For a contaminated evaluation area, the span of image parameter values is less than for a non-contaminated evaluation area. Hence, by calculating the difference between the maximum and minimum values of the image parameter from each evaluation area and comparing these

differences, it is possible to determine if it is the evaluation area of the first image or the evaluation area of the second image that is obstructed by contamination on the camera lens.

When a new first and second image has been captured by said stereoscopic camera, the method may further comprise the steps of:

- 5 • calculating an average value of said parameter of said historical image data for the respective evaluation areas of said first and second images,
- calculating a second difference value between said average values,
- adding said second difference value to the parameter value from the evaluation area of a newly taken image in which the evaluation area is identified as obstructed.

10 The effect of these further steps is to compensate for the obstruction caused by the contamination on the camera lens. In a normal case, without any contamination on the lens, the image parameter value should reasonably agree for two corresponding evaluation areas in the first and second images. However, when one of the evaluation areas is obstructed by contamination on the camera lens, its image parameter values are distorted. The purpose of
15 the above steps is to restore the distorted image parameter value by bringing it closer to the image parameter value of the corresponding, unobstructed evaluation area in the other image. This is done by comparing the average value of the image parameter between the first and second images and compensating the obstructed evaluation area with this difference. The advantage of this compensation is that stereoscopic functions such as measurements of
20 distances still work despite lens contamination. Hence, the need for cleaning the stereoscopic camera lenses is reduced. The interval between cleaning can be extended, while still retaining reliable measurement results up to cleaning.

The method works also for small, entirely opaque spots of contamination. Since the cameras lenses are not in focus when the first and second cameras capture their respective images,
25 opaque spots on the lenses will not cause entirely black obstructions in the image but rather obstructions that are partially transparent and thus contain some information about the object hidden by the obstruction. Hence, it is possible to compensate for the opaque contamination and reveal the initially obstructed parts of the image.

In one example of the invention, the historical image data is represented by an average value of the image parameter. However, the individual image parameter values, especially the minimum and maximum values, are still kept in the memory of the electronic control unit that controls the stereoscopic camera. Storing the individual image parameter values enables
5 continuous or stepwise updating of the historical image data. In another example of the invention, the historical image data is represented by a histogram of the image parameter. The histogram may either have a separate class for each possible value of image parameter, or it may have classes for bundles of values of the image parameter. A histogram with a separate class for each image parameter value enables sophisticated compensation of obstructed
10 evaluation areas. Histograms with classes for bundles of image parameter values allow a lesser extent of sophisticated compensation, but require less computational power and storage memory.

If a histogram is used for representing the historical image data, a normal value may be defined as the most frequent image parameter value for the evaluation area of respective first
15 and second images, and the method may further comprises the step of adjusting the histogram of the evaluation area identified as obstructed such that its shape and position corresponds to the histogram of its corresponding evaluation area in the other image. The normal value, being defined as the most frequent image parameter value, corresponds to the highest peak in the histogram. In a normal case, without any contamination on the lens, the
20 image parameter histograms should substantially correspond for two corresponding evaluation areas in the first and second images. Adjusting the histogram of the obstructed evaluation area as to resemble the corresponding unobstructed evaluation area compensates for the dispersion caused by the obstruction. Important in the adjustment of the histogram of the obstructed evaluation area is to bring its highest peak to the same position as in the
25 histogram of the unobstructed evaluation area. This can be done by calculating a third difference value between the normal values of the unobstructed and the obstructed evaluation areas. The third difference value is then added to all image parameter values in the historical image data of the obstructed evaluation area, resulting in its entire histogram being moved so that its highest peak is brought to the same position as the highest peak in the
30 histogram of the unobstructed evaluation area. Said third difference value can also be added

to the image parameter value of the obstructed evaluation area of a newly captured image, in order to compensate for the obstruction.

The purpose of adjusting an obstructed histogram is to define an adjusted value for each image parameter value comprised in the histogram. The adjustment is then used at each exposure for compensating the image parameter value of the obstructed evaluation area. Preferably, the adjustment of the histogram of an obstructed evaluation area is updated at regular intervals.

The histogram of an obstructed evaluation area is normally more squeezed, i.e. the historical image data comprises a narrower range of image parameter values, than the histogram of an unobstructed evaluation area. Another way of adjusting the obstructed histogram is thus by stretching the curve while ensuring that its highest peak ends up in the same position as the highest peak of the unobstructed histogram. This can be done for example by using the following algorithm:

$$f(x)=C(1-(x-A)/(B-A))+D((x-A)/(B-A)).$$

Here, x is the image parameter value of the obstructed evaluation area, A denotes the minimum value in the obstructed histogram and B is the image parameter value of the highest peak in the obstructed histogram. C is the minimum value in the unobstructed histogram and D is the image parameter value of the highest peak in the unobstructed histogram. However, if x is greater than the image parameter value of the highest peak in the obstructed histogram, then A is the image parameter value of the highest peak in the obstructed histogram, B is the maximum value in the obstructed histogram, C is the image parameter of the highest peak in the unobstructed histogram, and D is the maximum value in the unobstructed histogram.

The image parameter used in the identification of lens contamination is selected among the following parameters: brightness, colour channel, contrast or any other image parameter.

The first and second images may be divided into a plurality of correspondent evaluation areas. Dividing the images into a plurality of correspondent evaluation areas increases the resolution of the method. Normally, camera lenses in a roadside system get unevenly contaminated, for example by small dirt splashes. A small splash of dirt on the lens does not affect the entire image, but only the small area of the image formed by light that has passed through the dirty

portion of the lens. By dividing the images into a plurality of evaluation areas, it is therefore possible to identify small splashes of dirt and to adapt the compensation of different parts of the image based on if they originate from a dirty or a clean portion of the lens.

Each evaluation area may be defined as an individual pixel, a bundle of pixels or any
5 combination of several pixels in the respective first and second image. An individual pixel is the smallest element in a digital image. Using individual pixels as evaluation areas thus gives the best resolution and accuracy of the method – contamination can be identified and compensated for at the individual pixel level. Evaluation areas composed of bundles or combinations of several pixels reduces the need for processing capacity and storage space, but
10 renders less resolution and accuracy in the lens contamination identification and compensation process. The bundling or combinations of pixels have to be done in the same way in both the first and second images such that each evaluation area has its counterpart in the other image. A further alternative is to calculate and use subpixels, i.e. areas even smaller than individual pixels, as evaluation areas.

15 The historical image data may be collected from a predetermined number of previously captured images, preferably in the range of 100 to 5000 images. Collecting the historical image data from a large number of previously captured images eliminates the risk of identifying passing objects, e.g. a passing vehicle, a flying insect or a falling raindrop, as lens contamination. Still, the number of previous images from which historical image data is
20 collected must also be limited, since a too large number would require an excessive amount of memory for storing the historical data and an excessive amount of computational power for performing operations on the historical image data.

The historical image data may be continuously updated. By continuously updating the historical image data, it is adapted to the prevailing ambient conditions. For example, a splash
25 of dirt on the lens may affect the image differently in bright midday sunlight than in the weak light of dusk on a cloudy day. Hence, adapting the historical image data to prevailing conditions results in improved compensation for lens contamination.

The historical image data may be updated at predetermined time intervals by replacing the image parameter value from the oldest previously captured image by the corresponding
30 image parameter value from a newly captured image. In this way, the historical image data is

successively updated. For example, if collected from 1 000 previous images and updated every second, the historical image data reflects the past 1 000 seconds, that is approximately 17 minutes. Updating one value of the historical image data about once a second provides a good balance between reflecting a fair amount of time in the historical image data while limiting the amount of data. Updating the historical image data at time intervals substantially shorter than one second increases the undesired influence of temporary objects such as passing vehicles. However, if said time intervals are substantially longer than one second, the updating process becomes too slow for correctly reflecting the movements of shadows cast by stationary objects. In combination with collecting the historical image data from a large number of previous images, long time intervals also results in that it takes long time before new contaminations are discovered. It is up to the skilled person to select the number of previously captured images from which historical image data is collected and the update rate based on the working environment of the stereoscopic camera, for example traffic situation, vehicle speed, and weather.

The disclosed method may further comprise the step of generating a warning message when at least one lens of said stereoscopic camera is identified to have reached a predetermined level of contamination. The predetermined level of contamination may for example be a specific percentage of the total number of evaluation areas in the images from the camera being defined as obstructed by contamination upon the lens, or a certain number of neighbouring evaluation areas being defined as obstructed by contamination upon the lens. The predetermined level of contamination may also include a degree of obstruction of the evaluation area. The degree of obstruction is indicated by the deviation between the first difference values of two corresponding evaluation areas in the first and second images – the greater the deviation, the higher degree of obstruction. If the degree of obstruction is low, then a larger number of evaluation areas may be allowed to be defined as obstructed by contamination before a warning message is generated. Automatically generated warning messages reduce the need for manual inspection of the camera lenses, whereby time as well as money is saved. Automatically generated warning messages also reduce the risk of unknowingly relying on distance measurements from a stereoscopic camera that is too dirty in order to function properly.

The disclosure also concerns a traffic surveillance facility provided with a stereoscopic camera and an electronic control unit, wherein identification of contamination upon a lens of the stereoscopic camera is carried out according to the method described above. The inventive method is adapted to be integrated in or complement to the electronic control unit which
5 conducts other appropriate image processing of the images from the stereoscopic camera. The traffic surveillance facility may be for example a road toll facility, surveillance of a tunnel, or a law enforcement system. Traffic surveillance facilities are roadside systems, and hence heavily exposed to contamination, such as splashes of dirty water or dust particles and grains, from the passing traffic. Using the above method for identification of contamination upon the
10 stereoscopic camera lenses reduces the need for cleaning and/or manually inspecting the camera lenses while also achieving improved distance measurements from the stereoscopic images.

BRIEF DESCRIPTION OF THE DRAWINGS

15 In the detailed description of the invention given below reference is made to the following schematic figures, in which:

Figure 1 shows a schematic overview of the set up of a stereoscopic camera,

Figure 2a–b show a first and a second image divided into evaluation areas,

Figure 3a shows a brightness histogram from a clean evaluation area,

20 Figure 3b shows a brightness histogram from an obstructed evaluation area,

Figure 3c shows a brightness histogram from an obstructed evaluation area compensated through displacement, and

Figure 3d shows a brightness histogram from an obstructed evaluation area compensated through stretching.

25

DETAILED DESCRIPTION

Various aspects of the invention will hereinafter be described in conjunction with the appended drawings to illustrate but not to limit the invention. In the drawings, one embodiment of the invention is shown and described, simply by way of illustration of one mode of carrying out the invention. In the drawings, like designations denote like elements.

5 Variations of the different aspects are not restricted to the specifically shown embodiment, but are applicable on other variations of the invention.

Figure 1 shows a schematic overview of an example of a set up of a stereoscopic camera 100 next to a road. The stereoscopic camera may for example be part of a traffic surveillance system, such as a road toll facility or a law enforcement system. The stereoscopic camera 100

10 comprises two cameras, a first camera 110 and a second camera 120 which in this example are placed next to each other such that their respective lenses 115a, 115b are slightly spaced apart. In other examples of the invention, the cameras 110, 120 and thus their lenses 115a, 115b could be significantly spaced apart. Both the first camera 110 and the second camera 120 cover the same capturing area 101. Since the two cameras 110, 120 are spaced apart,

15 they see the capturing area 101 from slightly different angles and therefore render somewhat different images of the capturing area 101. An electronic control unit 130 controls the stereoscopic camera 100 and is provided with image processing means enabling it to analyse the captured images. The differences between first images 210 from the first camera and second images 220 from the second camera 120 can be used to calculate distances. However,

20 distance measurements are very vulnerable to contamination upon the camera lenses 115. A difference between the images 210, 220 caused by dirt may either be misinterpreted as a distance, or a distance may be overlooked or incorrectly measured due to the presence of contamination on the lenses 115. In order to avoid such problems, the invention discloses a method for automatically identifying contamination upon a lens 115 as well as compensating

25 for the contamination such that distances calculated from the first and second images 210, 220 still are reliable even when a lens 115 is contaminated.

Figure 2a shows a schematic example of a first image 210 from the first camera 110 and Figure 2b shows a second image 220 from the second camera 120. The first and second images 210, 220 show the same scene, in this example a roadway, but the second image 220

30 has an obstruction 221 caused by contamination upon the lens 115 of the second camera 120. The first and second images 110, 120 are divided into an equal number of evaluation areas

230, such that each evaluation area 230 in the first image 110 has a corresponding evaluation area 230 in the second image 120. In this example, there are sixteen evaluation areas 230 in each image, but preferably each pixel should form an individual evaluation area 230 in order to achieve high resolution in the identification of and compensation for lens 115 contamination. However, to reduce the need for processing capacity and storage space, several pixels could also be bundled to form a larger evaluation area 230. However, the bundling has to be done in the same way in both the first and second images 110, 120 such that each evaluation area 230 has its exact counterpart in the other image.

Figure 3a shows a schematic example of a histogram 310 of historical image data for a clean evaluation area, that is, an evaluation area which represents an image portion that has been captured through a non-contaminated part of the lens. From here on, the term clean evaluation area will refer to an evaluation area which is not obstructed by lens contamination as explained above. In this example, the image is a grey scale image and the parameter comprised in the historical image data is brightness B . The historical image data is collected from a predefined number of previously captured images, preferably in the order of thousand images. The histogram 310 represents the frequency f of different brightness B values as a function of the brightness B . In this context, frequency f should be interpreted as the number of occurrences of a brightness value in the historical image data. The curve has a minimum value B_{min1} and a maximum value B_{max1} close to the end points of the range of possible brightness values. A usual range of brightness values is from 0 to 255, where 0 represent no brightness at all, i.e. black, and 255 represents full brightness, i.e. white. Values in between 0 and 255 represent different shades of grey. The histogram 310 has a distinctive peak at a normal value n_0 . This normal value is defined as the most frequently occurring brightness B value in the historical image data. Hence, n_0 is the most probable "true" brightness value for the evaluation area.

Figure 3b shows a schematic example of a histogram 320 of historical image data for an obstructed evaluation area corresponding to the clean evaluation area of figure 3a. The evaluation area being obstructed means that the evaluation area represents an image portion that has been captured through a contaminated part of the lens. From here on, the term obstructed evaluation area will refer to an evaluation area which is obstructed by lens contamination as explained above. As in the previous figure, the image parameter is

brightness B and the f -axis represents the occurrence frequency. However, the brightness of the captured image is distorted by the presence of lens contamination. This can be seen by comparing the histograms 320 of the obstructed evaluation area with the histogram 310 of its corresponding clean evaluation area. The obstructed histogram 320 has a shorter span
5 between its minimum value B_{min2} and maximum value B_{max2} and its normal value n_c is displaced towards lower brightness values compared to the histogram 310 representing a corresponding clean evaluation area. The histogram 320 being squeezed and the distinctive peak being displaced towards lower brightness values are typical features of an obstructed evaluation area emanating from a contaminated lens portion. However, in exceptional
10 circumstances, i.e. for specific types of contaminations in combination with certain light conditions, the distinctive peak and hence the normal value n_c may instead be displaced towards higher brightness values due to distortion. But the span between the minimum and maximum values B_{min2} , B_{max2} is always shorter for a contaminated evaluation area compared to a corresponding clean evaluation area. If there is a deviation between the
15 historical image data for two corresponding evaluation areas, i.e. one in the first image and the other in the second image, it can be concluded that a lens of the stereoscopic camera is contaminated. In order to determine if the contamination is on the lens 115a of the first camera 110 or on the lens 115b of the second camera 120, the span of brightness values are compared. The evaluation area with the shortest span between its minimum brightness value
20 and its maximum brightness value is contaminated.

Figure 3c shows a brightness histogram 330 from an obstructed evaluation area compensated through displacement. In order to restore the distorted brightness of an obstructed evaluation area, its histogram 320 can be adjusted to more closely resemble the histogram 310 of the clean evaluation area. One possible adjustment is to bring the distinctive peak to the same
25 position, i.e. to the brightness value n_0 . This is done by calculating the difference between the clean normal value n_0 and the contaminated normal value n_c . This difference is added to all brightness values in the historical image data of the obstructed evaluation area, resulting in its histogram 320 being displaced a distance $n_0 - n_c$. The distinctive peak of the displaced histogram 330 coincides with the normal value n_0 of the histogram 310 belonging to the
30 corresponding clean evaluation area. However, the span between the maximum value B_{max3} and minimum value B_{min3} of the compensated histogram 330 is unchanged compared to the

uncompensated histogram 320, and the maximum and minimum values $B_{\max 3}$, $B_{\min 3}$ hence do not coincide with the maximum and minimum values $B_{\max 1}$, $B_{\min 1}$ of the clean histogram 310.

Figure 3d shows a brightness histogram 340 from an obstructed evaluation area compensated through stretching. Here, the obstructed histogram 320 has been stretched such that its new maximum and minimum values $B_{\max 4}$, $B_{\min 4}$ coincides with the maximum and minimum values $B_{\max 1}$, $B_{\min 1}$ of the unobstructed histogram 310 while ensuring that the distinctive peak ends up in the same position n_0 as the distinctive peak of the unobstructed histogram 310. This can be achieved for example via the following algorithm:

10 For obstructed brightness values B smaller than or equal to n_c ,

$$f(B) = B_{\min 1} \left(1 - \frac{(B - B_{\min 2})}{(n_c - B_{\min 2})} \right) + n_0 \left(\frac{(B - B_{\min 2})}{(n_c - B_{\min 2})} \right),$$

and for obstructed brightness values B larger than n_c ,

$$f(B) = n_0 \left(1 - \frac{(B - n_c)}{(B_{\max 2} - n_c)} \right) + B_{\max 1} \left(\frac{(B - n_c)}{(B_{\max 2} - n_c)} \right).$$

This is the same algorithm as described in the summary, but adapted to the denotations of figures 3a-d.

Stretching the histogram, instead of just displacing it, results in better compensation of the lower range of image parameter values.

The invention is capable of modification in various obvious respects, all without departing from the scope of the appended claims. Accordingly, the drawings and the description thereto are to be regarded as illustrative in nature, and not restrictive.

Reference signs mentioned in the claims should not be seen as limiting the extent of the matter protected by the claims, and their sole function is to make the claims easier to understand.

CLAIMS

1. A method for identifying contamination upon a lens (115) of a stereoscopic camera (100), wherein said stereoscopic camera (100)

- 5 • is arranged such that a capturing area of said stereoscopic camera is predefined such that a plurality of images from said stereoscopic camera (100) have the same capturing area (101) over time, and
- is provided with a first camera (110) adapted to cover said capturing area (101) by providing first images (210) of said capturing area (101),
- 10 • is provided with a second camera (120) adapted to cover said capturing area (101) by providing second images (220) of said capturing area (101), wherein

said first images (210) are divided into at least one evaluation area (230) and said second images (220) are divided into at least one evaluation area (230), wherein the respective evaluation area (230) of said first and said second images (210, 220) are correspondently located in respective image (210, 220), wherein said method comprises the steps of;

- 15 • forming historical image data for said evaluation areas (230), wherein said historical image data comprises an image parameter representing the respective evaluation area (230) from a respective predetermined plurality of previously captured first and second images (210, 220),
- comparing said historical image data for the evaluation area (230) of said plurality of previously captured first images (210) with historical image data for the evaluation area (230) of said plurality of previously captured second images (220), and
- 20 • indicating that at least one lens (115) of said stereoscopic camera (100) is contaminated, if a deviation larger than a threshold value between the compared historical image data is identified.

25 2. A method according to claim 1, wherein the method further comprises the steps of:

- identifying a minimum value (Bmin1, Bmin2) and a maximum value (Bmax1, Bmax2) of said image parameter from said historical image data for each evaluation area (230),

- calculating a first difference value between said minimum and said maximum value (Bmin1, Bmin2; Bmax1, Bmax2) for each evaluation area (230),
 - comparing said first difference value from the evaluation area (230) of said first images (210) with said first difference value from the evaluation area (230) of said second images (220), and
 - identifying the evaluation area (230) of said first or second images (210, 220) associated with the lowest first difference value as obstructed by contamination on the lens (115).
3. A method according to claim 2, wherein when a new first and second image (210, 220) has been captured by said stereoscopic camera (100), the method further comprises the steps of;
- calculating an average value of said parameter of said historical image data for the respective evaluation areas (230) of said first and second images (210, 220),
 - calculating a second difference value between said average values,
 - adding said second difference value to the parameter value from the evaluation area (230) of a newly taken image in which the evaluation area is identified as obstructed.
4. A method according to any one of claims 1 – 3, wherein said historical image data is represented by an average value of said parameter.
5. A method according to any one of claims 1–3, wherein said historical image data is represented by a histogram (310, 320) of said parameter.
6. A method according to claim 5, wherein the histogram (310, 320) has a separate class for each possible value of said parameter, or the histogram has classes for bundles of values of said parameter.
7. A method according to claim 5 or claim 6, wherein a normal value (n0, nc) is defined as the most frequent image parameter value for the evaluation area of respective first and second images (210, 220), wherein the method further comprises the step of;

- adjusting the histogram (320) of the evaluation area (230) identified as obstructed such that its shape and position corresponds to the histogram (310) of its corresponding evaluation area (230).
8. A method according to any one of claims 1 – 7, wherein said parameter is selected among
5 the following parameters; brightness, colour channel, contrast or any other image parameter.
9. A method according to any one of claims 1 – 8, wherein said first and second images (210, 220) are divided into a plurality of correspondent evaluation areas (230).
10. A method according to claim 9, wherein each evaluation area (230) is defined as an individual pixel in the respective first and second image (210, 220).
- 10 11. A method according to any one of claims 1 - 10, wherein the historical image data is continuously updated.
12. A method according to any one of claims 1 - 10, wherein the historical image data is updated at predetermined time intervals by replacing the image parameter value from the oldest previously captured image (210, 220) by the corresponding image parameter value
15 from a newly captured image (210, 220).
13. A method according to any one of claims 1 – 12, wherein the method further comprises the step of generating a warning message when at least one lens (115) of said stereoscopic camera (100) is identified to have reached a predetermined level of contamination.
14. Traffic surveillance facility provided with a stereoscopic camera (100) and an electronic
20 control unit (130) provided to control said stereoscopic camera (100), characterised in that identification of contamination upon a lens (115) of the stereoscopic camera (100) is carried out according to the method according to any one of claims 1–13.

1/3

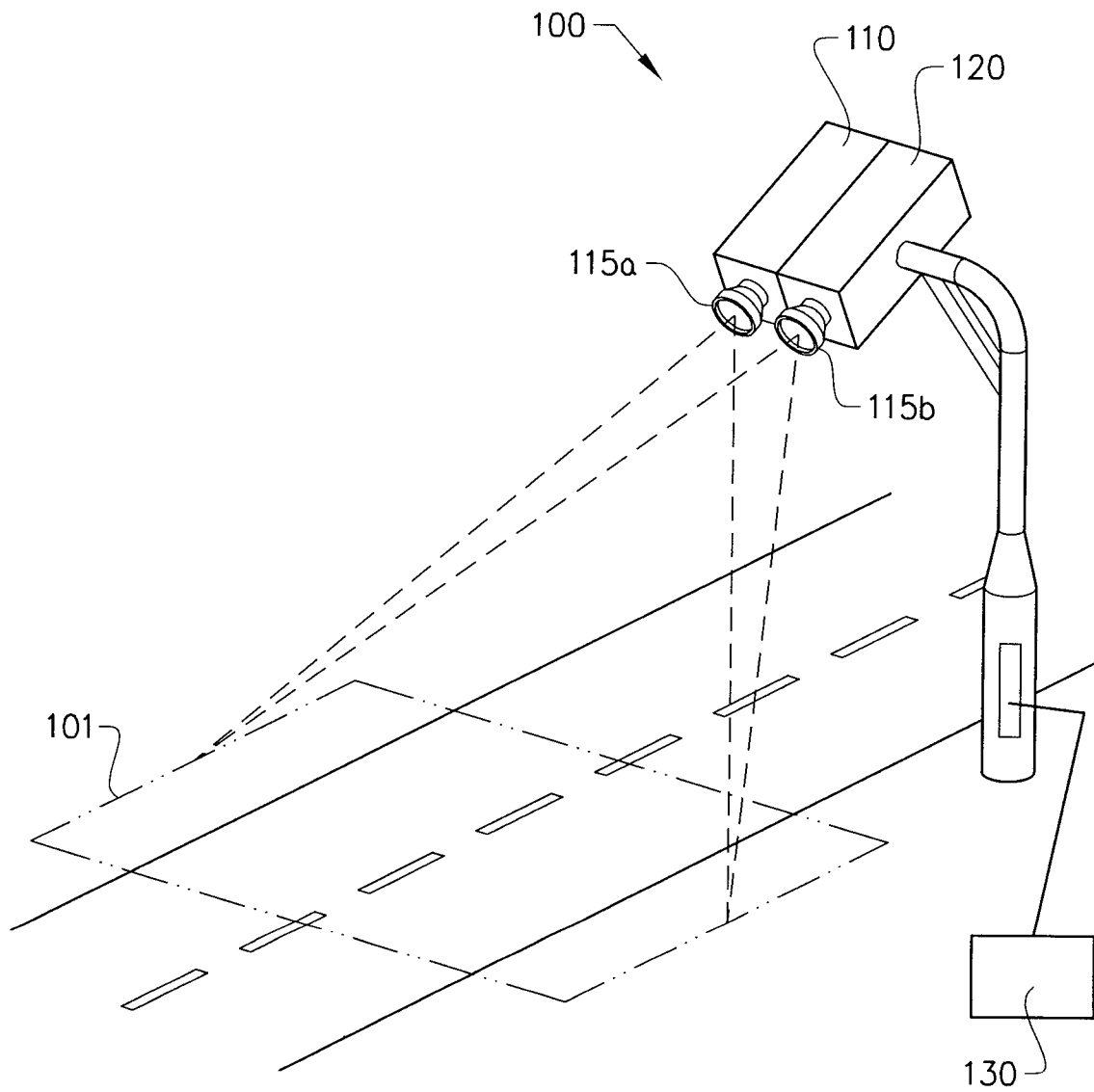


FIG. 1

2/3

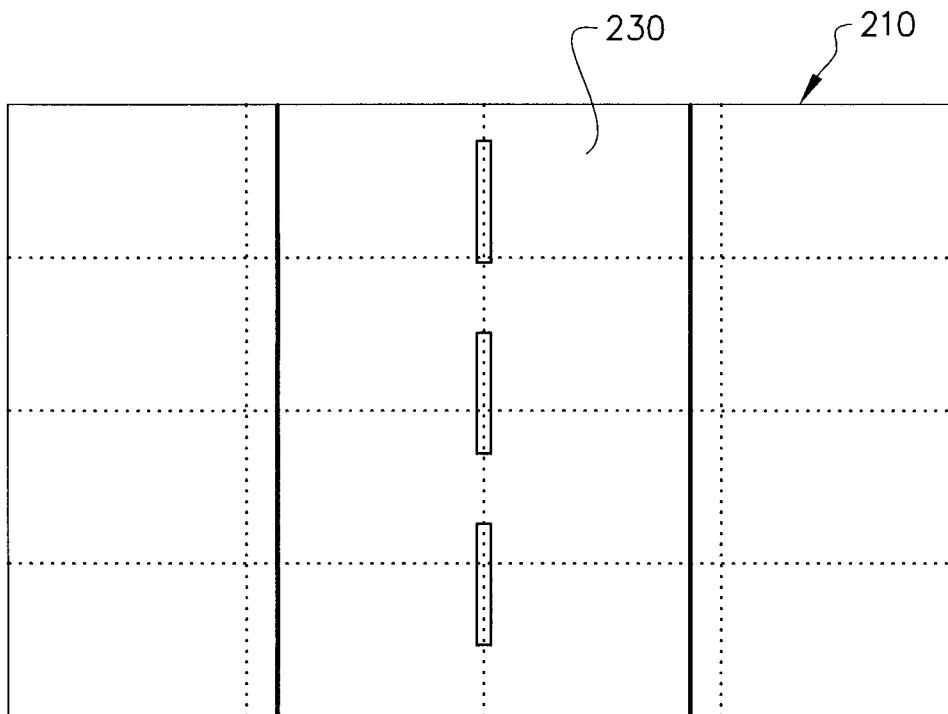


FIG. 2a

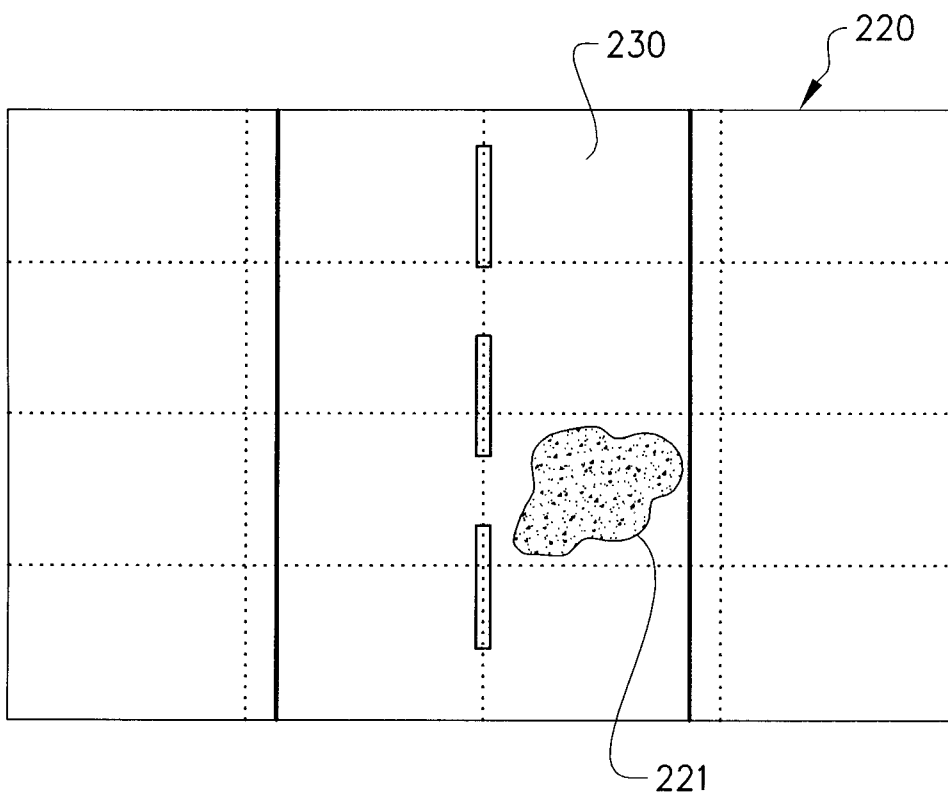


FIG. 2b

3/3

