



US00D552178S

(12) **United States Design Patent**
Boffa et al.

(10) **Patent No.:** **US D552,178 S**

(45) **Date of Patent:** **** Oct. 2, 2007**

(54) **HEART BRACE**

(75) Inventors: **Daniel J. Boffa**, Shaker Heights, OH (US); **Eric E. Roselli**, Rock River, OH (US); **Douglas R. Johnston**, Cleveland Heights, OH (US); **David Nagle**, Medina, OH (US); **John Robert Mehall**, Cincinnati, OH (US); **David P. Mason**, Cleveland, OH (US); **Bruce W. Lytle**, Bainbridge Township, OH (US)

(73) Assignee: **The Cleveland Clinic Foundation**, Cleveland, OH (US)

(**) Term: **14 Years**

(21) Appl. No.: **29/260,445**

(22) Filed: **May 25, 2006**

(51) **LOC (8) Cl.** **19-07**

(52) **U.S. Cl.** **D19/62**

(58) **Field of Classification Search** D19/59-64; D8/70-71; D15/140; 249/177; 269/45, 269/75, 82, 296; 359/447; 431/126, 288; 434/82, 85, 88, 91; 446/374

See application file for complete search history.

(56) **References Cited**

U.S. PATENT DOCUMENTS

| | | | | | |
|-----------|-----|--------|----------|-------|---------|
| 1,111,608 | A * | 9/1914 | O'Brien | | 434/88 |
| 2,545,210 | A * | 3/1951 | Moore | | 249/177 |
| 2,887,974 | A * | 5/1959 | Weinfeld | | 269/45 |
| 4,070,011 | A * | 1/1978 | Glesser | | 269/45 |
| 4,253,649 | A * | 3/1981 | Hewson | | 269/45 |

| | | | | | |
|--------------|-----|---------|--------------------|-------|---------|
| 4,949,944 | A * | 8/1990 | Groff, Sr. | | 269/45 |
| 5,100,325 | A * | 3/1992 | Cutler | | 434/91 |
| 5,217,376 | A * | 6/1993 | Gosselin | | 434/91 |
| 5,741,140 | A * | 4/1998 | Bristol | | 434/82 |
| D399,220 | S * | 10/1998 | Schmidt | | D15/140 |
| 5,910,005 | A * | 6/1999 | Scherr | | 431/126 |
| D518,348 | S * | 4/2006 | Fahey | | D8/71 |
| 2005/0214727 | A1 | 9/2005 | Stoianovici et al. | | |

* cited by examiner

Primary Examiner—Louis Zarfaz

Assistant Examiner—Mark Cavanna

(74) *Attorney, Agent, or Firm*—Tarolli, Sundheim, Covell & Tummino LLP

(57) **CLAIM**

The ornamental design for a heart brace, as shown and described.

DESCRIPTION

FIG. 1 is a top perspective view of a heart brace showing our new design;

FIG. 2 is a front elevational view thereof;

FIG. 3 is a back elevational view thereof;

FIG. 4 is a right side elevational view thereof;

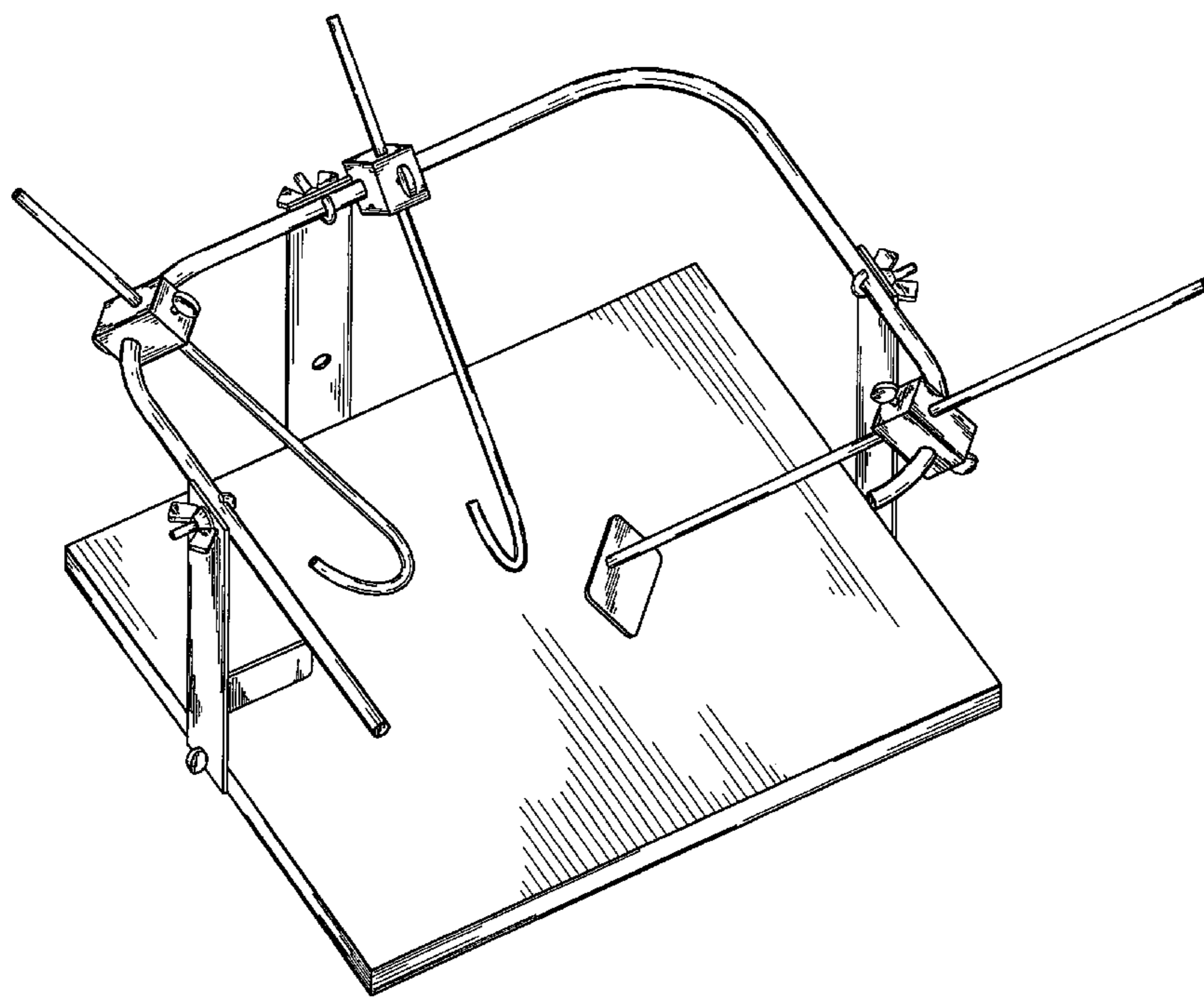
FIG. 5 is a left side elevational view thereof;

FIG. 6 is a top plan view thereof;

FIG. 7 is a bottom plan view thereof; and,

FIG. 8 is a top perspective view of a heart brace shown in an alternate condition of use.

1 Claim, 6 Drawing Sheets



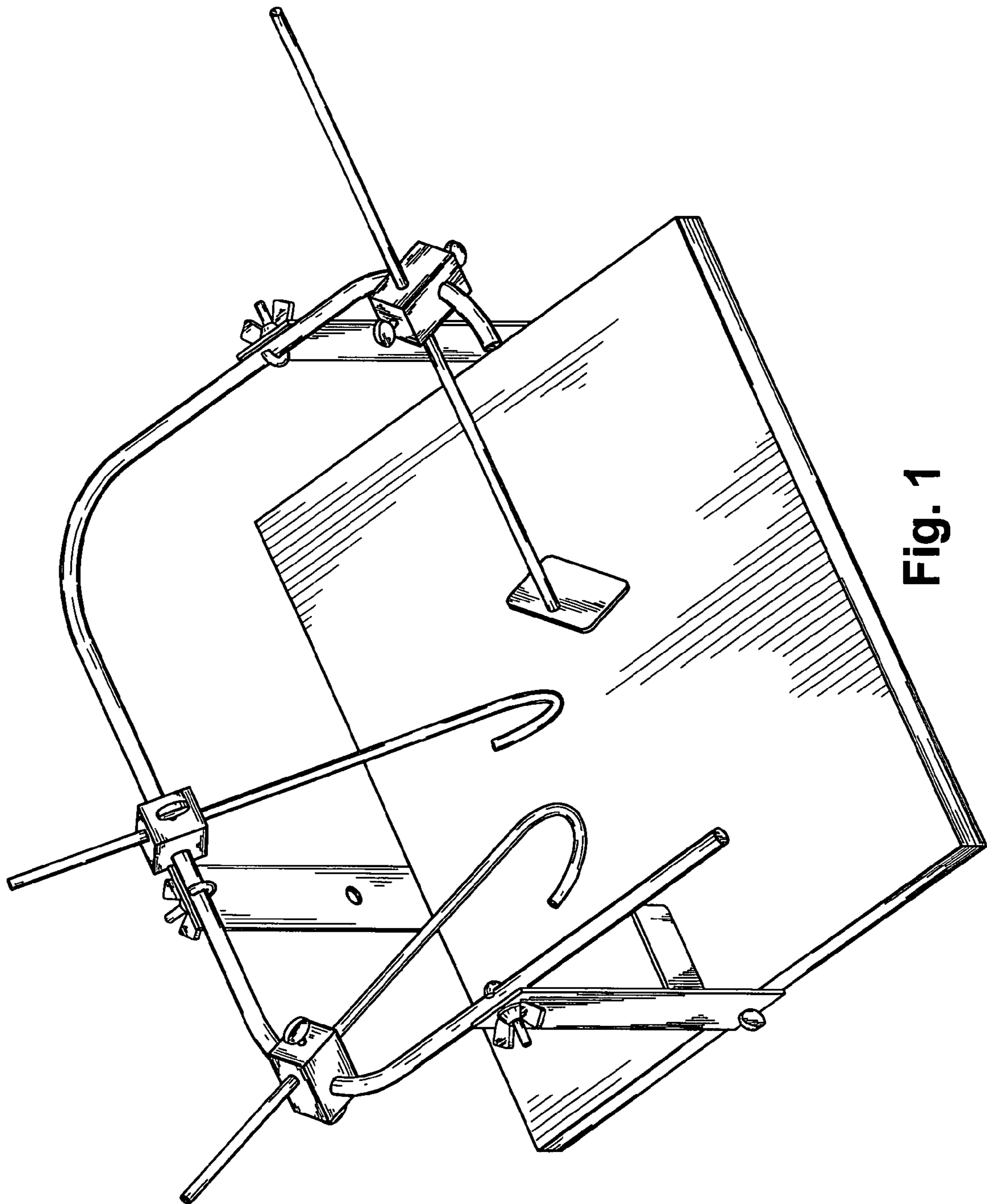


Fig. 1

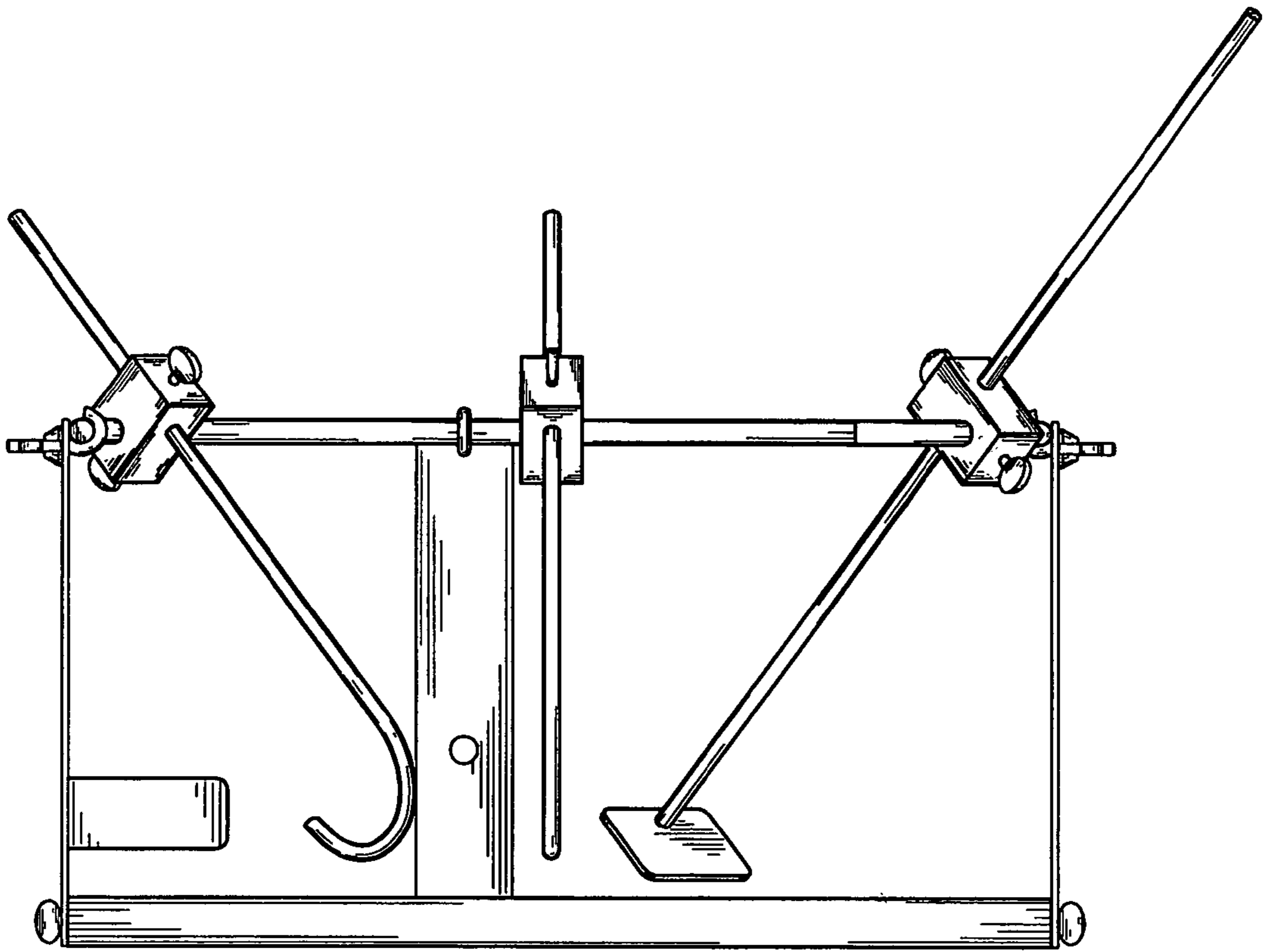


Fig. 2

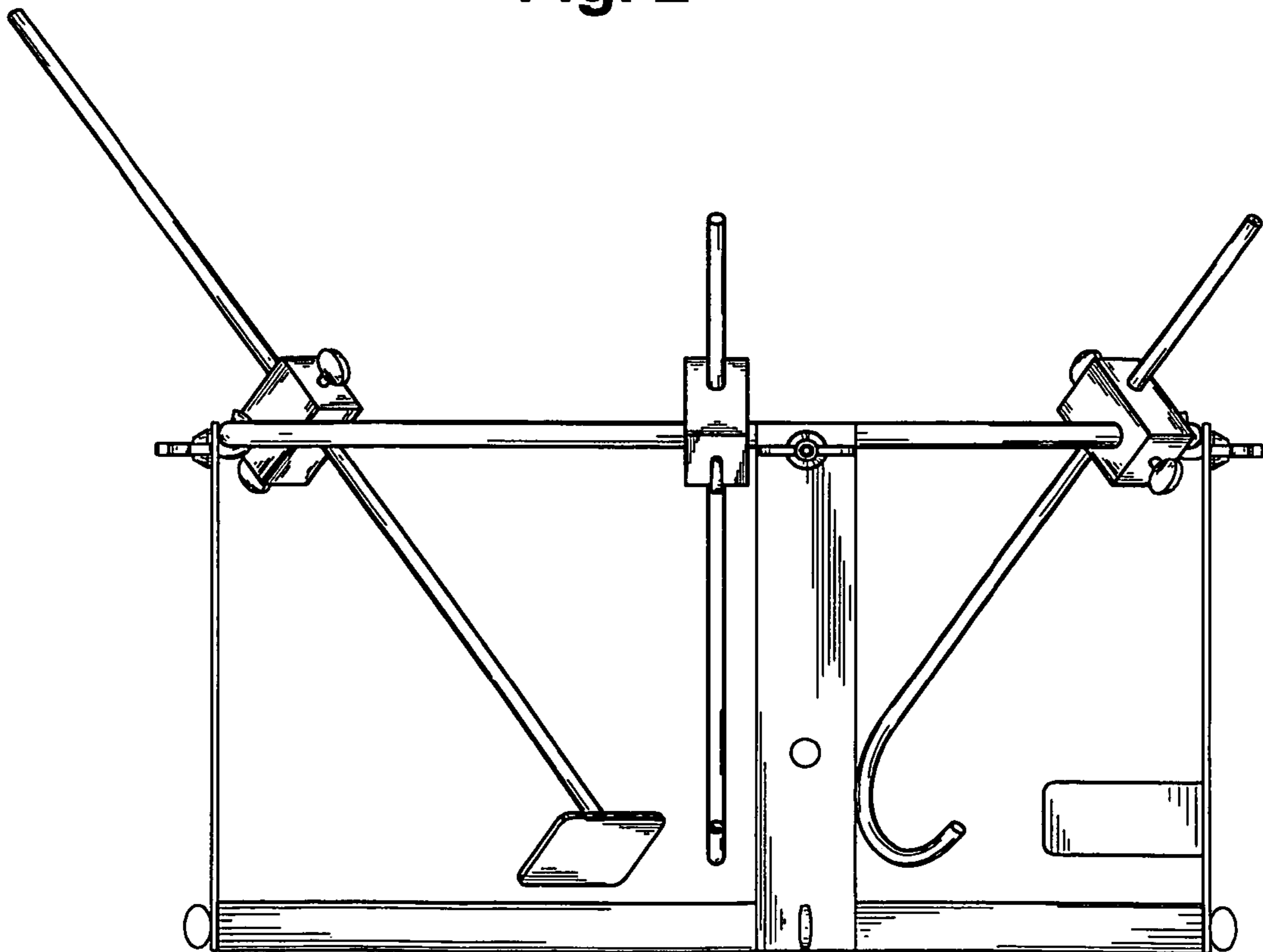


Fig. 3

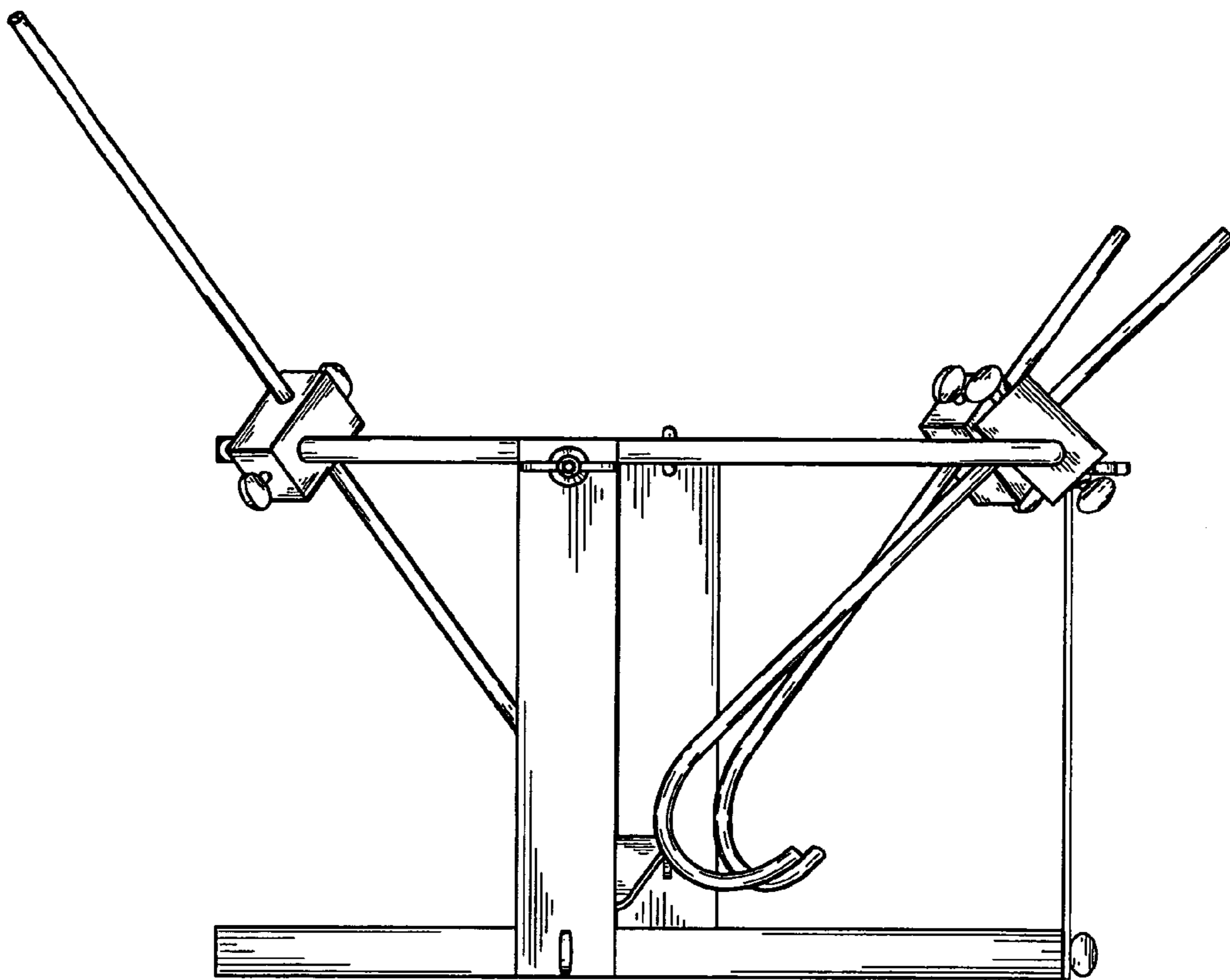


Fig. 4

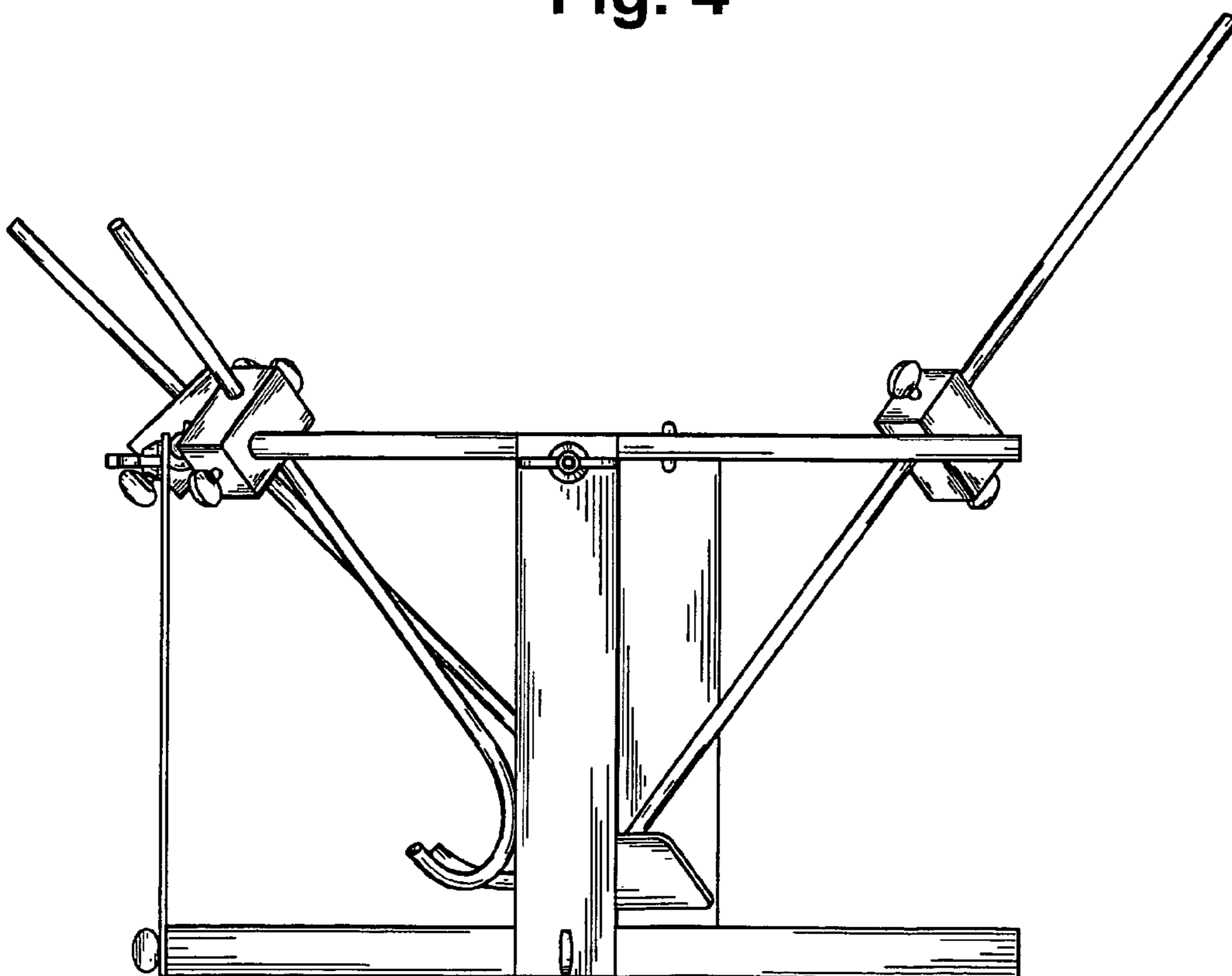


Fig. 5

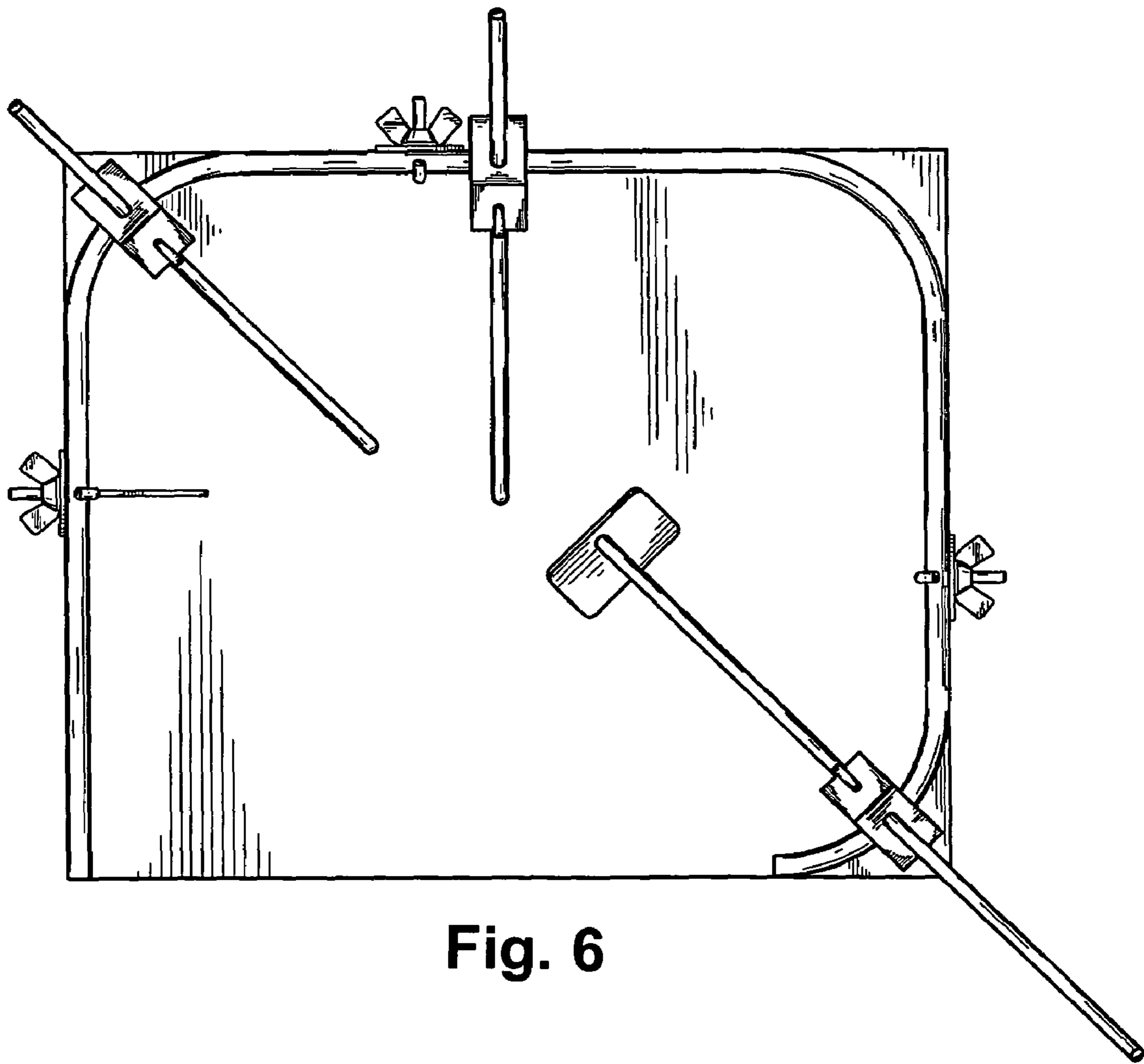


Fig. 6

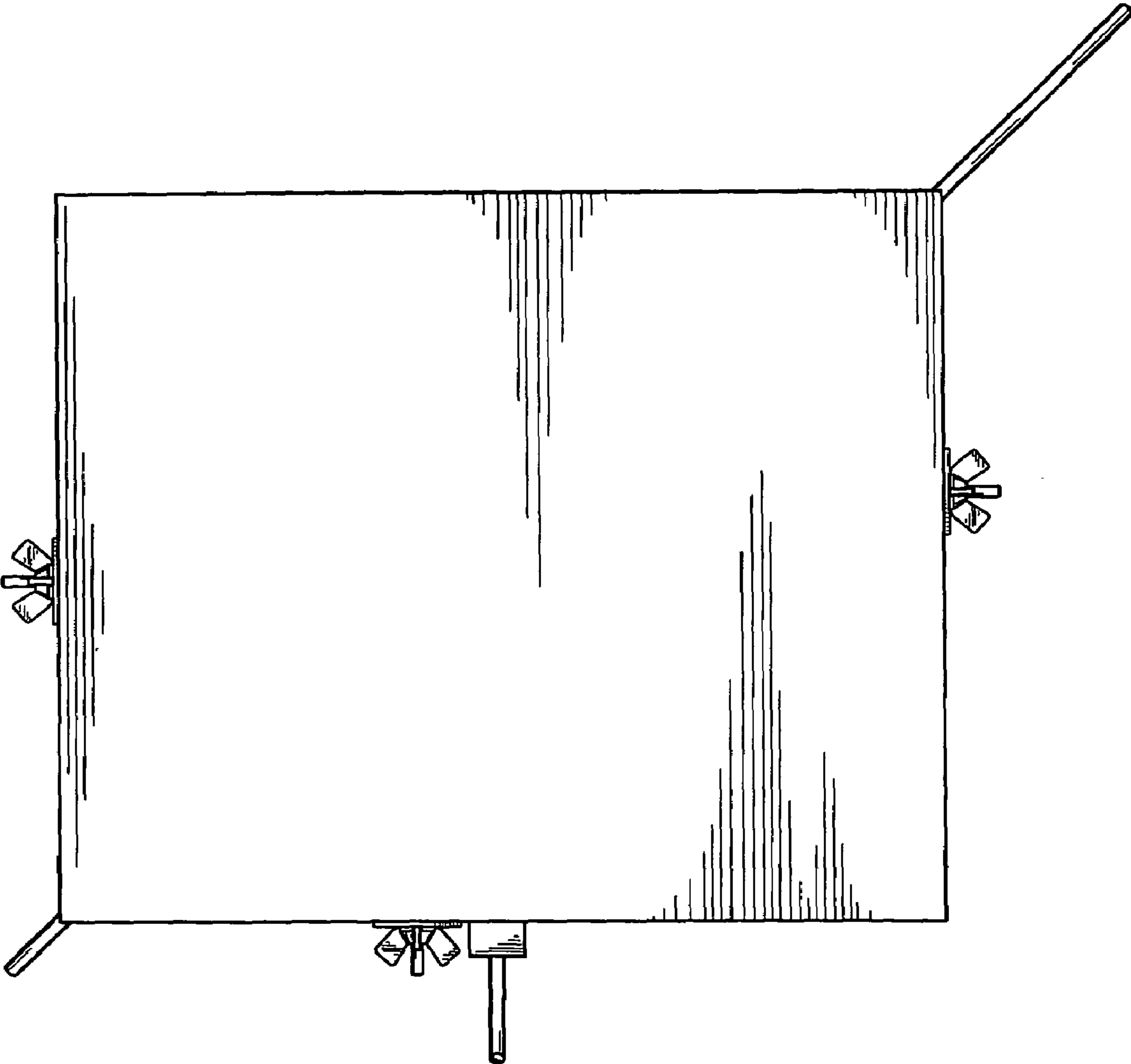


Fig. 7

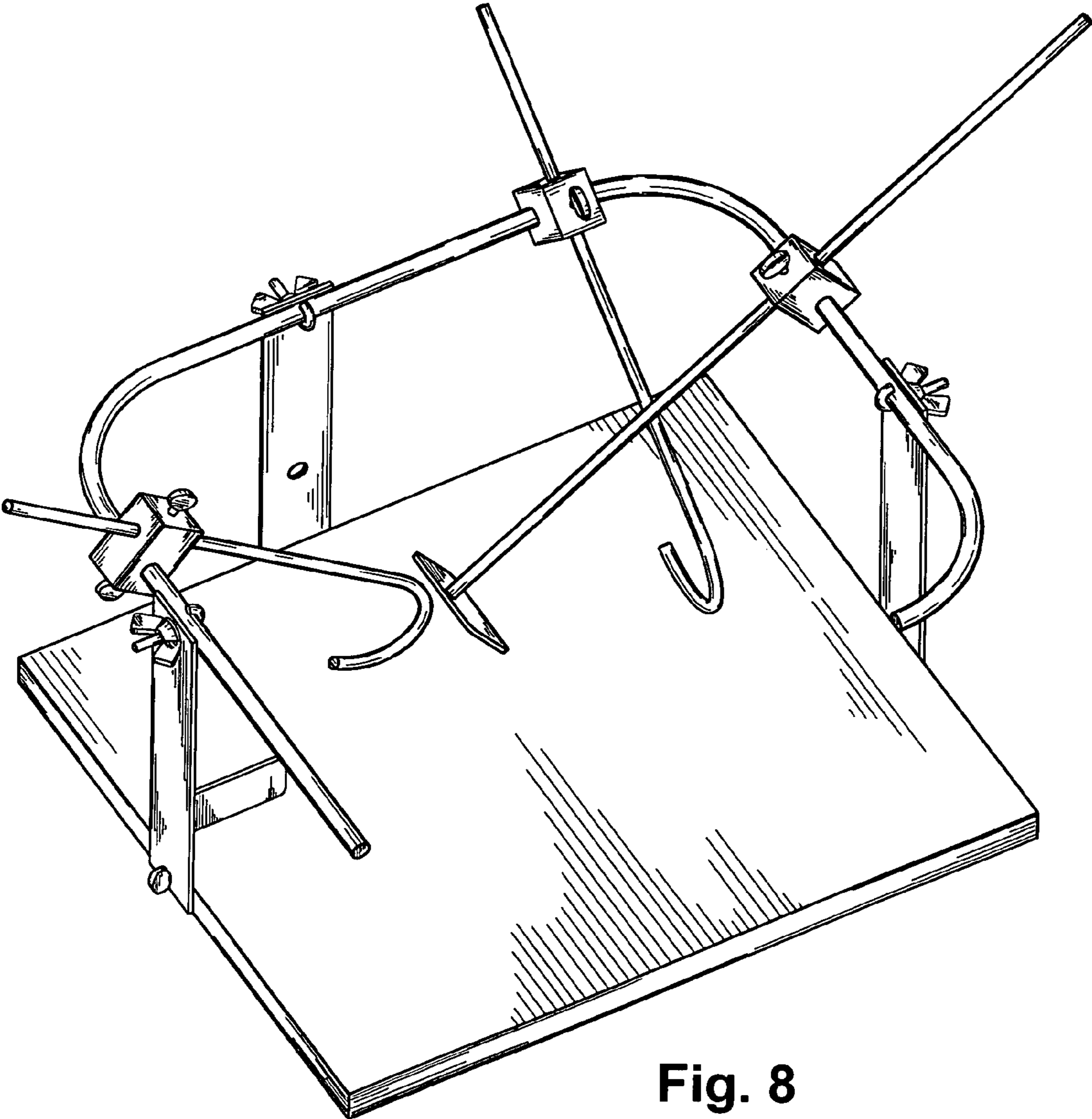


Fig. 8