



(12) **United States Design Patent**  
**Zhan**

(10) **Patent No.:** **US D999,990 S**  
(45) **Date of Patent:** **\*\* Sep. 26, 2023**

- (54) **HAIR TRIMMER**
- (71) Applicant: **Yiwu Hugo Electric Appliance Co., Ltd., Yiwu (CN)**
- (72) Inventor: **Chengping Zhan, Tongling (CN)**
- (\*\*) Term: **15 Years**
- (21) Appl. No.: **29/860,692**

D853,647 S	7/2019	Boulangier	
D853,648 S	7/2019	Boulangier	
D866,860 S	11/2019	Dawson	
D866,861 S	11/2019	Dawson	
D867,663 S	11/2019	Boulangier	
D883,574 S *	5/2020	Dawson	D28/54
D894,493 S *	8/2020	Baratelli	D28/54
D898,288 S *	10/2020	Stowers	D28/51

(Continued)

- (22) Filed: **Nov. 22, 2022**
- (51) **LOC (14) Cl.** ..... **28-03**
- (52) **U.S. Cl.** ..... **D28/53**  
USPC ..... **D28/53**
- (58) **Field of Classification Search**  
USPC ..... D28/45-54, 76, 77, 85; D30/158-159  
CPC ..... B26B 19/00; B26B 19/02; B26B 19/04;  
B26B 19/06; B26B 19/10; B26B 19/30;  
B26B 19/3853; B26B 19/3873; B26B  
19/38-3826; B26B 19/384-48; B26B  
19/12; B26B 19/2024; B26B 19/00107;  
B26B 9/148; B26B 19/14-146  
See application file for complete search history.

**OTHER PUBLICATIONS**

“Hatteker Beard Trimmer Kit”, Sep. 26, 2022, Amazon, site visited Dec. 24, 2022: <https://amzn.to/3VozUpZ> (Year: 2022).\*

(Continued)

*Primary Examiner* — Jack Reickel  
*Assistant Examiner* — Salamah Jordan  
(74) *Attorney, Agent, or Firm* — Jose Cherson Weissbrot

(57) **CLAIM**

The ornamental design for a hair trimmer, as shown and described.

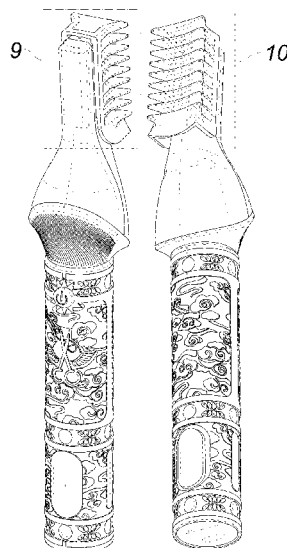
**DESCRIPTION**

FIG. 1 is a front perspective view of a hair trimmer showing my new design;  
FIG. 2 is a rear perspective view thereof;  
FIG. 3 is a front elevational view thereof;  
FIG. 4 is a rear elevational view thereof;  
FIG. 5 is a left side view thereof;  
FIG. 6 is a right side view thereof;  
FIG. 7 is a top plan view in a large scale thereof;  
FIG. 8 is a bottom plan view in a large scale thereof;  
FIG. 9 is a partial enlarged view of FIG. 1; and,  
FIG. 10 is a partial enlarged view of FIG. 2.  
The broken lines in the figures are for the purposes of illustrating portions of the hair trimmer, which form no part of the claimed design.

(56) **References Cited**  
U.S. PATENT DOCUMENTS

D499,845 S *	12/2004	Khubani	D28/54
D500,892 S *	1/2005	Chen	D28/54
D509,626 S *	9/2005	Yiu	D28/54
D519,680 S	4/2006	Dingelstad	
D620,644 S *	7/2010	Lau	D28/54
D634,067 S *	3/2011	Stowers	D28/53
D634,069 S *	3/2011	Stowers	D28/54
D674,145 S *	1/2013	Ino	D28/53
D674,559 S *	1/2013	Ino	D28/54
D750,838 S *	3/2016	Szymanski	D28/53
D750,839 S *	3/2016	Szymanski	D28/53
D758,663 S *	6/2016	Van Maanen	D28/53
D776,877 S *	1/2017	Zadro	D28/53
D830,633 S	10/2018	Gamble	
D831,274 S *	10/2018	Gamble	D28/53
D853,646 S	7/2019	Boulangier	

**1 Claim, 6 Drawing Sheets**



(56) **References Cited**

U.S. PATENT DOCUMENTS

D906,592 S \* 12/2020 Zhu ..... D28/53  
 D914,980 S 3/2021 Rodriguez  
 D961,851 S \* 8/2022 Van Roosmalen ..... D28/54  
 D965,894 S 10/2022 Werner  
 2006/0143926 A1 \* 7/2006 Khubani ..... B26B 19/06  
 30/53  
 2006/0156551 A1 \* 7/2006 Khubani ..... B26B 19/3813  
 30/130  
 2018/0194024 A1 \* 7/2018 Teteak ..... B26B 19/3886

OTHER PUBLICATIONS

“Professional Hair Clippers”, Jun. 1, 2022, Etsy, site visited Dec. 24, 2022: <https://etsy.me/3jlsB5a> (Year: 2022).\*

“Unboxing VGR V-085 hair trimmer” Sep. 8, 2020, Youtube, site visited Dec. 24, 2022: <https://www.youtube.com/watch?v=ElJo4tFZnjY> (Year: 2020).\*

“Men’s Waterproof Cordless Hair Trimmer Set” Jul. 25, 2021, Youtube, site visited Dec. 29, 2022: <https://www.youtube.com/watch?v=SWVWCSdEnmc> (Year: 2021).\*

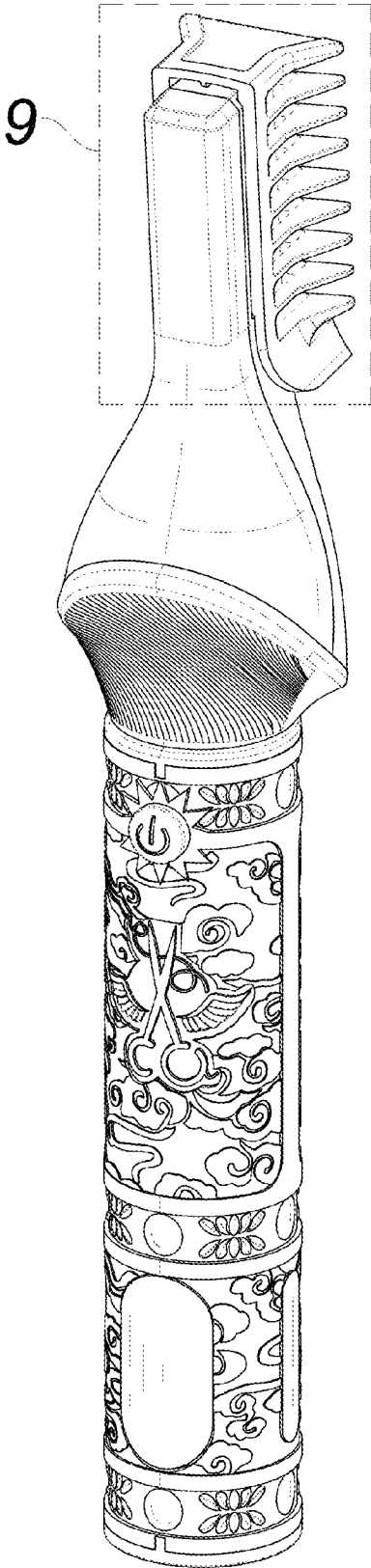
“Surker Beard Trimmer” Jun. 27, 2020, Amazon, site visited Dec. 29, 2022: <https://amzn.to/3hZYzU1> (Year: 2020).\*

“Motlata” May 17, 2022, Amazon, site visited Jan. 4, 2023: <https://amzn.to/3Gf8Nbp> (Year: 2022).\*

“Qreeyx Beard Trimmer Kit” Mar. 29, 2023, Amazon, site visited Jun. 21, 2023: [https://www.amazon.com/QREEYX-Beard-Trimmer-Kit-Men/dp/B0BZTV5NWR/ref=psdc\\_13271079011\\_t3\\_B0BXRYBQKD](https://www.amazon.com/QREEYX-Beard-Trimmer-Kit-Men/dp/B0BZTV5NWR/ref=psdc_13271079011_t3_B0BXRYBQKD) (Year: 2023).\*

“Zesuti Beard Trimmer” Mar. 8, 2023, Amazon, site visited Jun. 21, 2023: <https://www.amazon.com/Zesuti-Professional-Grooming-Mustache-Cordless/dp/B0BXRYBQKD> (Year: 2023).\*

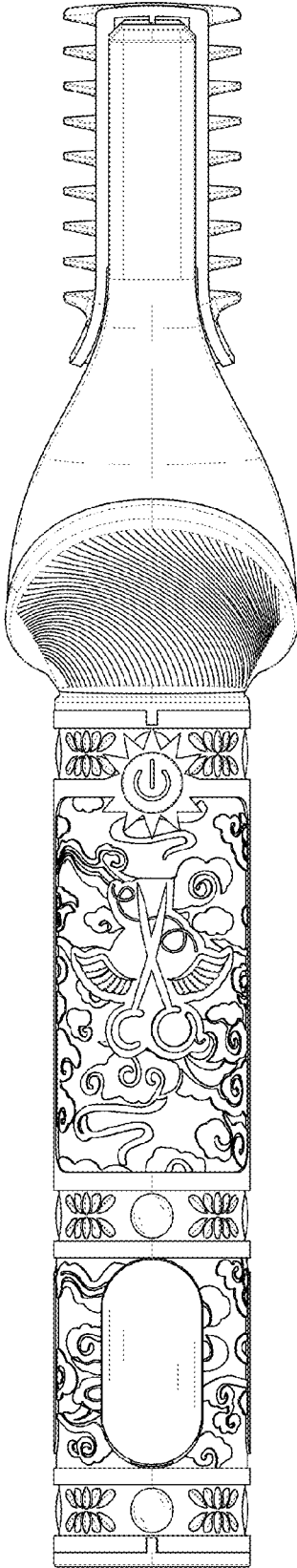
\* cited by examiner



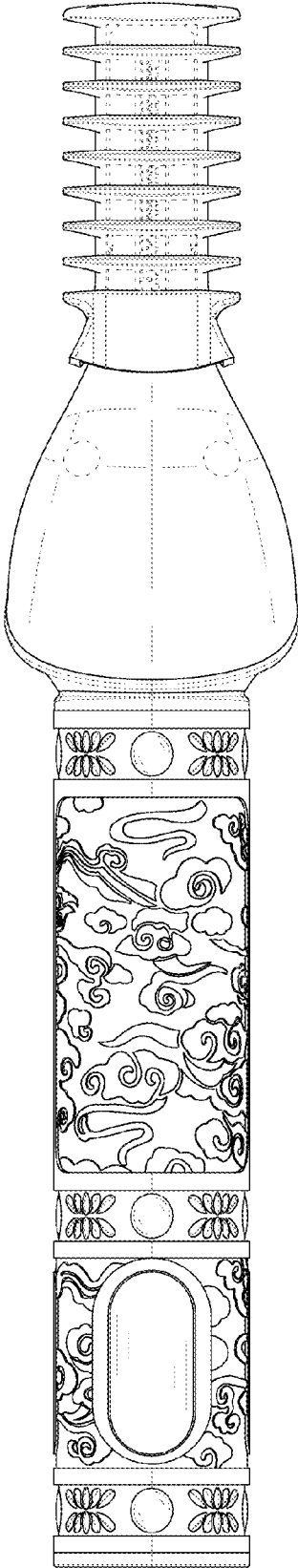
**FIG. 1**



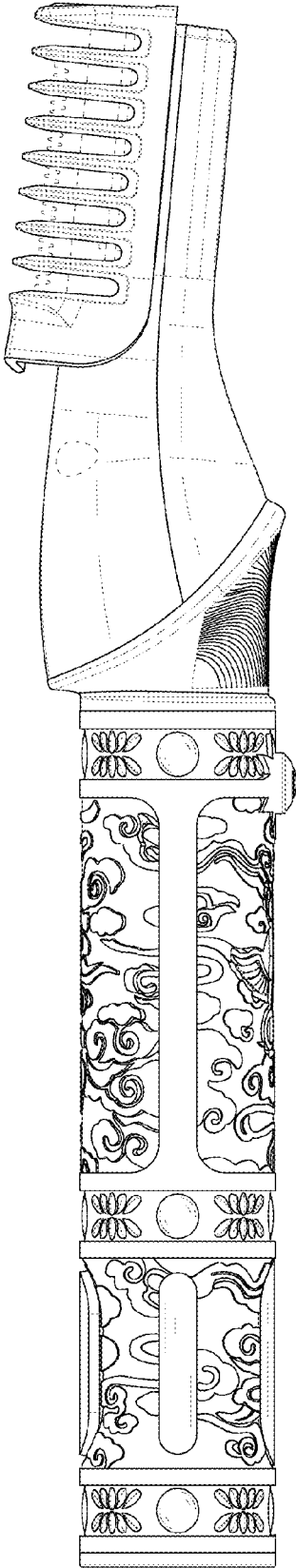
**FIG. 2**



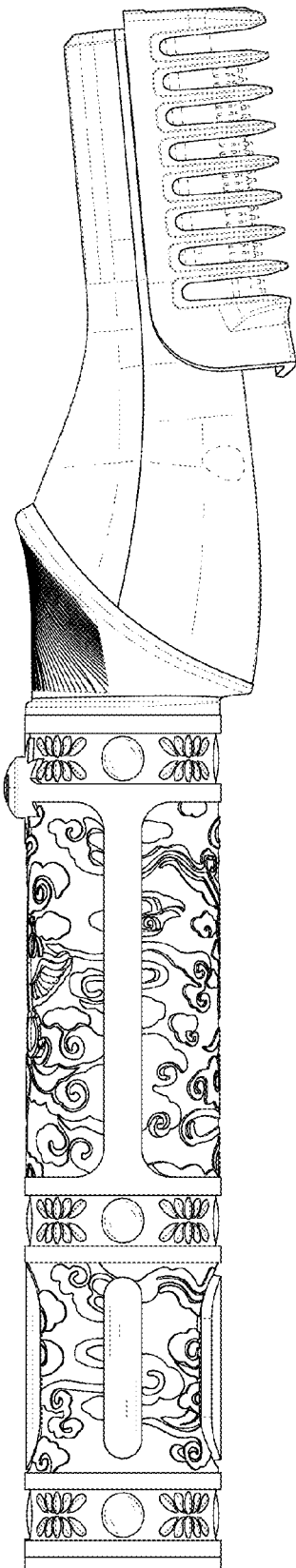
**FIG. 3**



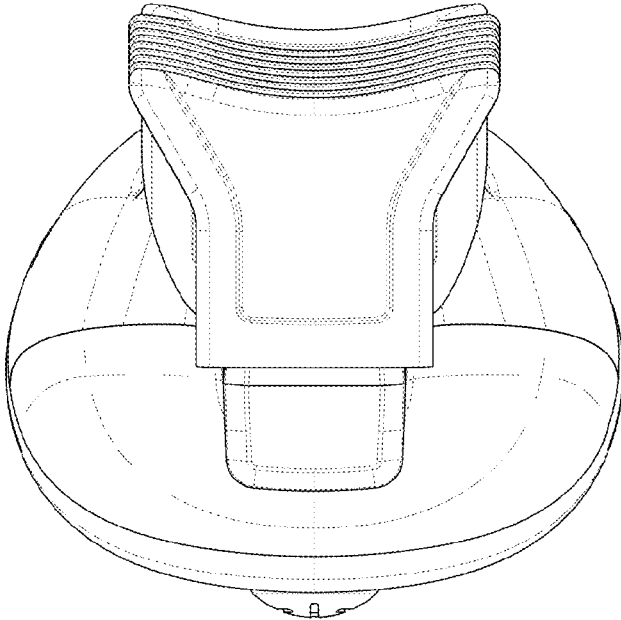
**FIG. 4**



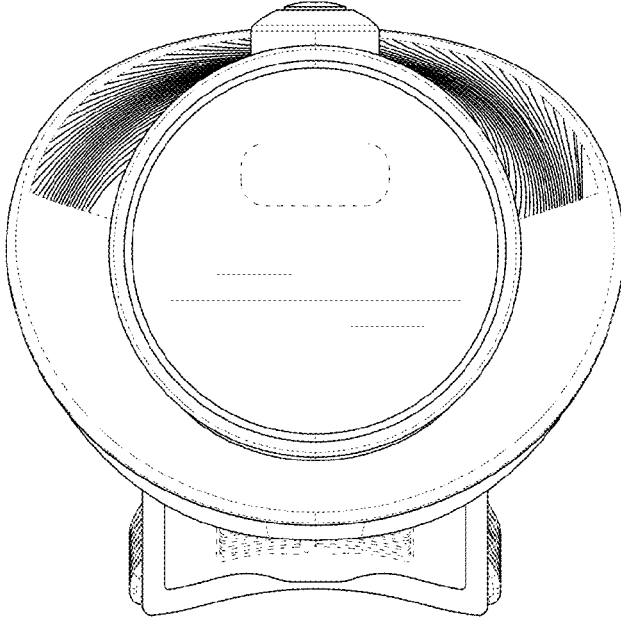
**FIG. 5**



**FIG. 6**



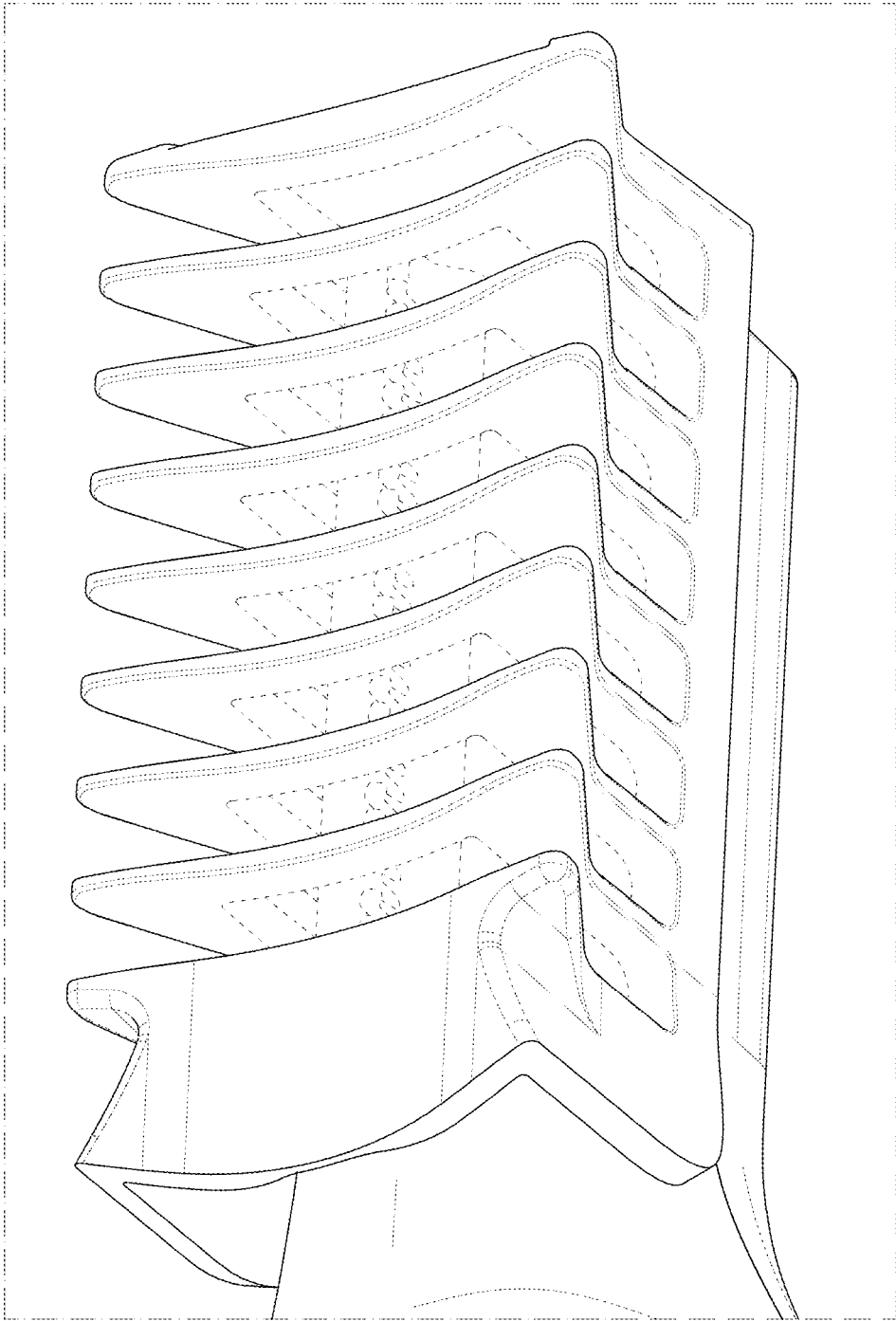
**FIG. 7**



**FIG. 8**



**FIG. 9**



**FIG. 10**