



US00D614432S

(12) **United States Design Patent**  
**Liao et al.**

(10) **Patent No.:** **US D614,432 S**

(45) **Date of Patent:** **\*\* Apr. 27, 2010**

(54) **PORTABLE ESPRESSO MAKER**

(75) Inventors: **Yi-Chun Liao**, San Jose, CA (US);  
**Benjamin Pei-Ming Chia**, San Jose, CA  
(US); **Stephen Hooper**, Los Gatos, CA  
(US)

(73) Assignee: **Espressi, Inc.**, San Jose, CA (US)

(\*\*) Term: **14 Years**

(21) Appl. No.: **29/334,074**

(22) Filed: **Mar. 19, 2009**

(51) **LOC (9) Cl.** ..... **07-01**

(52) **U.S. Cl.** ..... **D7/300; D7/399; D7/309**

(58) **Field of Classification Search** ..... **D7/400,**  
**D7/399, 401, 309, 300, 397, 373; 99/319,**  
**99/323, 302**

See application file for complete search history.

(56) **References Cited**

**U.S. PATENT DOCUMENTS**

|           |    |   |         |               |       |         |
|-----------|----|---|---------|---------------|-------|---------|
| 1,722,946 | A  | * | 7/1929  | Raffa         | ..... | 210/471 |
| 4,497,243 | A  | * | 2/1985  | Cavalli       | ..... | 99/323  |
| D353,296  | S  | * | 12/1994 | Assmann       | ..... | D7/309  |
| D393,568  | S  | * | 4/1998  | Storsberg     | ..... | D7/400  |
| 6,044,754 | A  | * | 4/2000  | Fuentes       | ..... | 99/295  |
| 6,192,786 | B1 | * | 2/2001  | Gasser et al. | ..... | 99/319  |
| D439,799  | S  | * | 4/2001  | Kwok          | ..... | D7/400  |

|          |   |   |        |                  |       |        |
|----------|---|---|--------|------------------|-------|--------|
| D501,751 | S | * | 2/2005 | Lin              | ..... | D7/309 |
| D502,053 | S | * | 2/2005 | Bodum            | ..... | D7/400 |
| D523,690 | S | * | 6/2006 | Giannone         | ..... | D7/395 |
| D523,691 | S | * | 6/2006 | Greenwood et al. | ..... | D7/400 |
| D548,507 | S | * | 8/2007 | Jacquet et al.   | ..... | D7/309 |
| D588,855 | S | * | 3/2009 | Jacquet et al.   | ..... | D7/309 |

\* cited by examiner

*Primary Examiner*—Marianne Pandozzi

(74) *Attorney, Agent, or Firm*—Schein & Cai LLP; James Cai

(57) **CLAIM**

The ornamental design for a portable espresso maker, as shown and described.

**DESCRIPTION**

FIG. 1 is a perspective view of the portable espresso maker.

FIG. 2 is a right side view of the portable espresso maker.

FIG. 3 is a left side view of the portable espresso maker.

FIG. 4 is a rear view of the portable espresso maker.

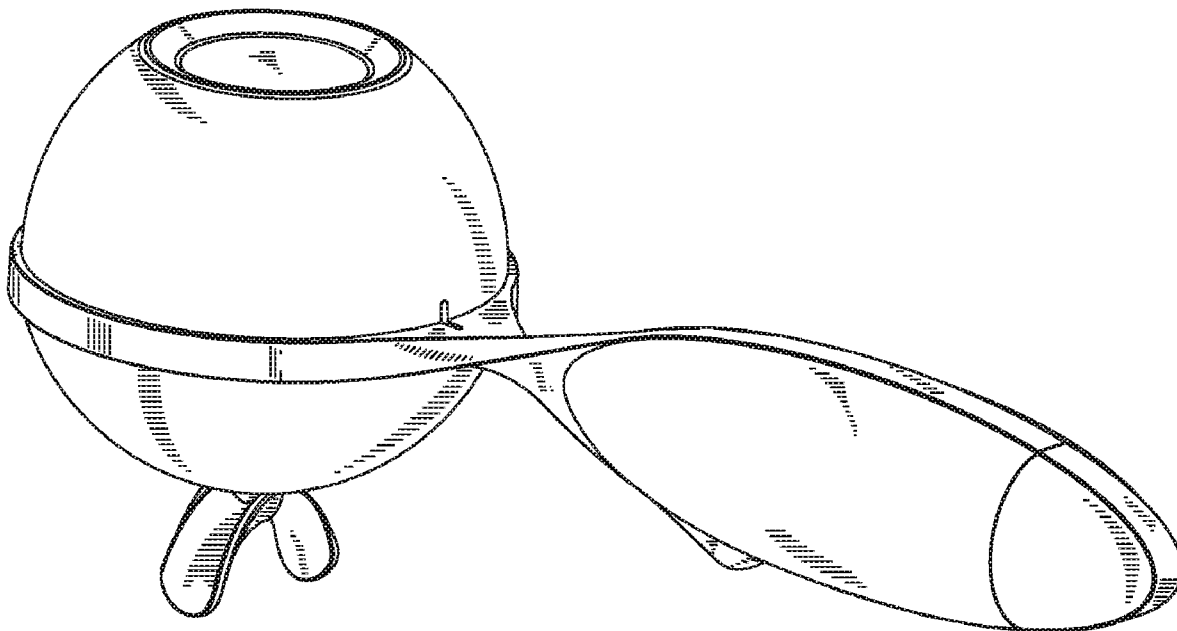
FIG. 5 is a front view of the portable espresso maker.

FIG. 6 is a top plan view of the portable espresso maker; and,

FIG. 7 is a bottom plan view of the portable espresso maker.

The article in which the design is embodied is for use in making espresso.

**1 Claim, 3 Drawing Sheets**



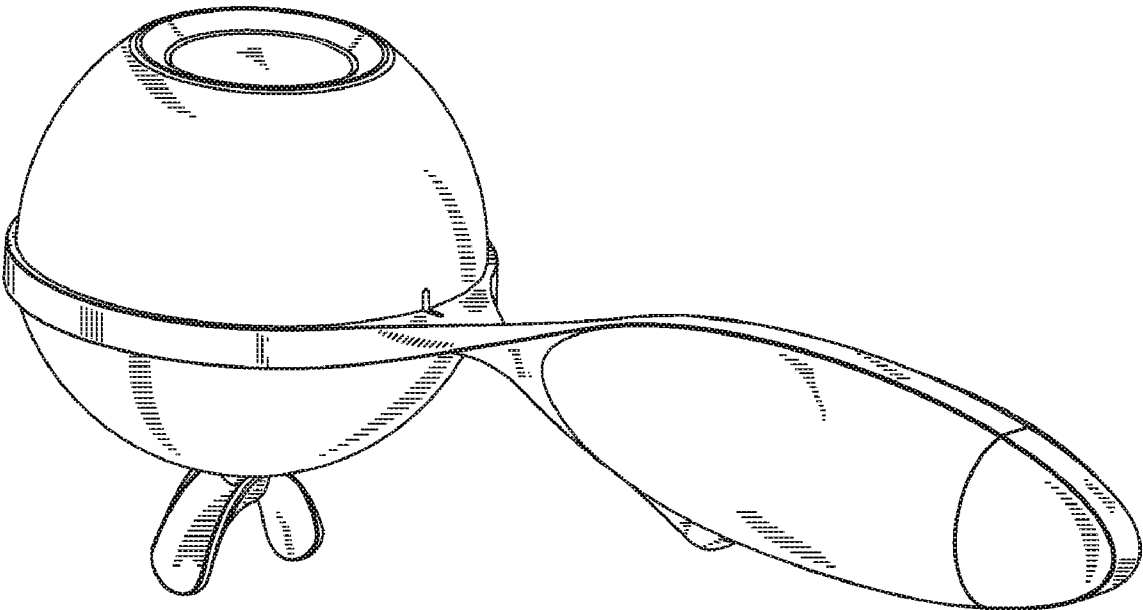


FIG. 1

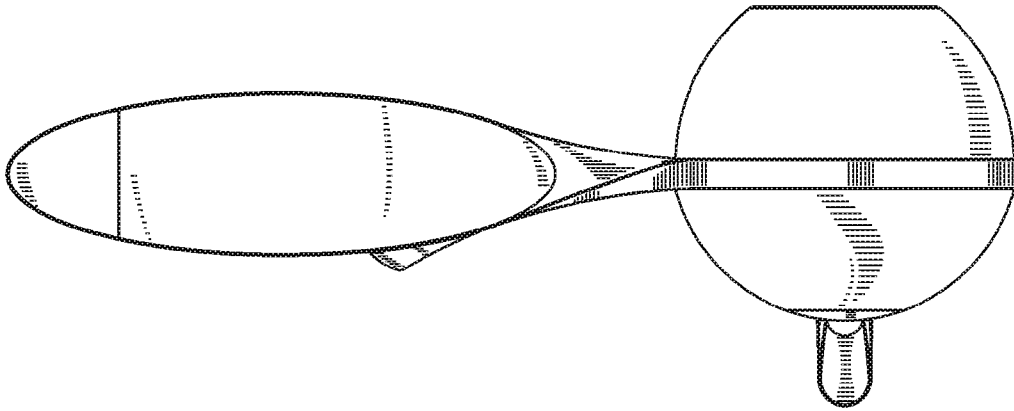


FIG. 2

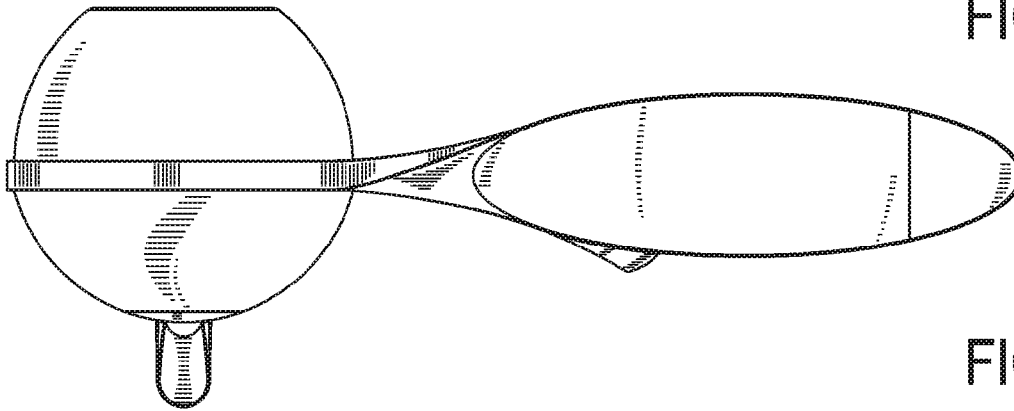


FIG. 3

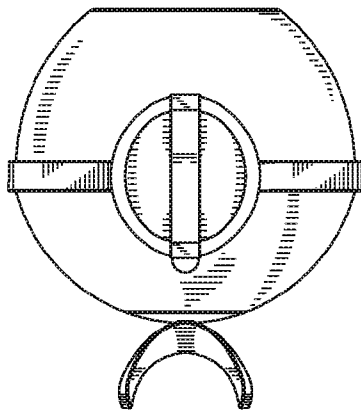


FIG. 4

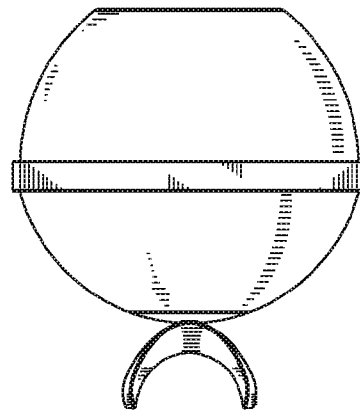


FIG. 5

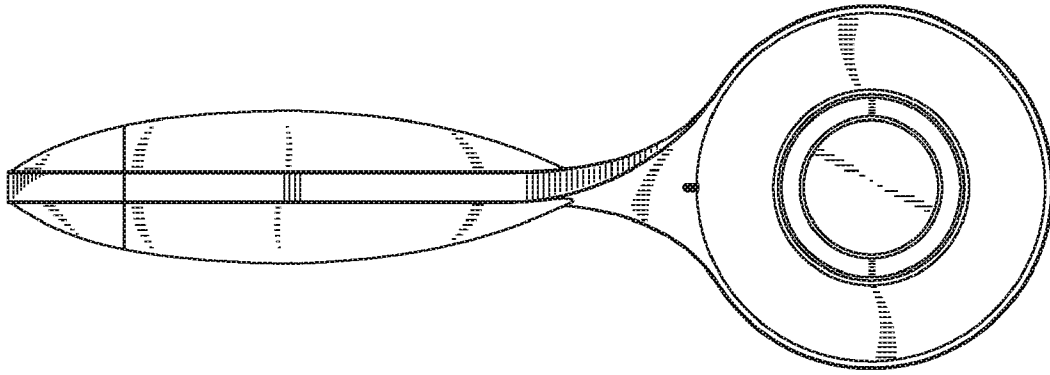


FIG. 6

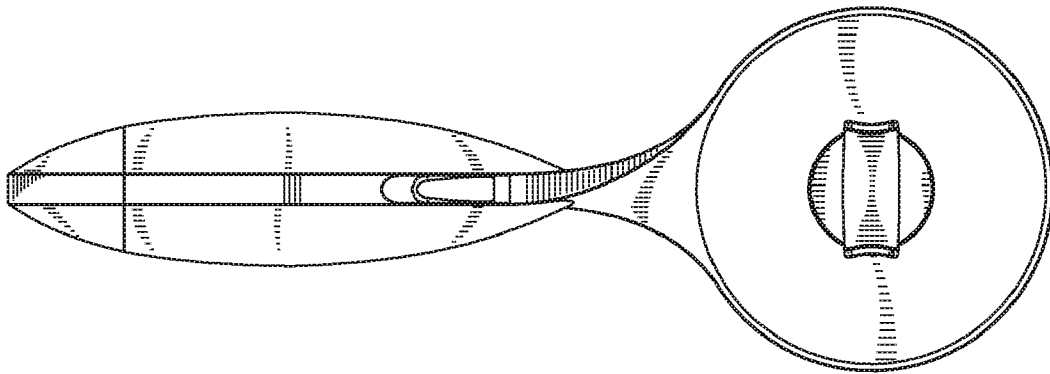


FIG. 7