



(12) **United States Design Patent**  
**Schulter**

(10) **Patent No.:** **US D725,645 S**  
(45) **Date of Patent:** **\*\* Mar. 31, 2015**

(54) **QUICK RELEASE APPARATUS FOR A PORTABLE DEVICE**

(71) Applicant: **Michael Schulter**, Spring, TX (US)

(72) Inventor: **Michael Schulter**, Spring, TX (US)

(\*\*) Term: **14 Years**

(21) Appl. No.: **29/490,437**

(22) Filed: **May 9, 2014**

**Related U.S. Application Data**

(63) Continuation of application No. 29/472,254, filed on Nov. 11, 2013.

(51) **LOC (10) Cl.** ..... **14-03**

(52) **U.S. Cl.**  
USPC ..... **D14/253; D14/447**

(58) **Field of Classification Search**  
USPC ..... D3/215, 218, 328; D8/355; D12/223, D12/415; D14/217, 238.1, 251, 253, 344, D14/432, 433, 439, 447, 451, 452, 483; D16/214, 242, 243; 248/121, 125.1, 248/176.1, 177.1, 178.1, 179.1, 180.1, 248/181.1, 181.2, 201, 205.1, 309.1, 310, 248/314, 450, 454, 682, 686, 688; 361/679.01, 679.02, 679.21, 679.26, 361/679.3, 679.55, 679.56, 808, 809

See application file for complete search history.

(56) **References Cited**

**U.S. PATENT DOCUMENTS**

D606,548	S	*	12/2009	Sapper	.....	D14/452
8,672,374	B1	*	3/2014	Webber	.....	294/25
8,740,270	B1	*	6/2014	Mizell et al.	.....	294/25
D719,961	S	*	12/2014	Xiang et al.	.....	D14/447
2010/0258688	A1	*	10/2010	Wang et al.	.....	248/125.1
2011/0006175	A1	*	1/2011	Gwag	.....	248/201
2012/0068043	A1	*	3/2012	Daigle et al.	.....	248/682
2013/0083507	A1	*	4/2013	Guirlinger	.....	361/809
2013/0175411	A1	*	7/2013	Kim et al.	.....	248/121

2013/0320161 A1\* 12/2013 Merhar et al. .... 248/121  
\* cited by examiner

*Primary Examiner* — Susan Bennett Hattan  
*Assistant Examiner* — Leanne Was  
(74) *Attorney, Agent, or Firm* — Locke Lord LLP

(57) **CLAIM**  
The ornamental design for a quick release apparatus for a portable device, as shown and described.

**DESCRIPTION**

FIG. 1 is a perspective view of a quick release apparatus for a portable device, embodying principles of the present invention, the quick release system having a first portion of the quick release system showing a slide forming a slide path, and a mating second portion of the quick release system showing an insert for the slide path.

FIG. 2 is a front view of the mating second portion of the quick release system.

FIG. 3 is a rear view of the mating second portion of the quick release system.

FIG. 4 is a left side view of the mating second portion of the quick release system.

FIG. 5 is a right side view of the mating second portion of the quick release system.

FIG. 6 is a top view of the mating second portion of the quick release system.

FIG. 7 is a bottom view of the mating second portion of the quick release system.

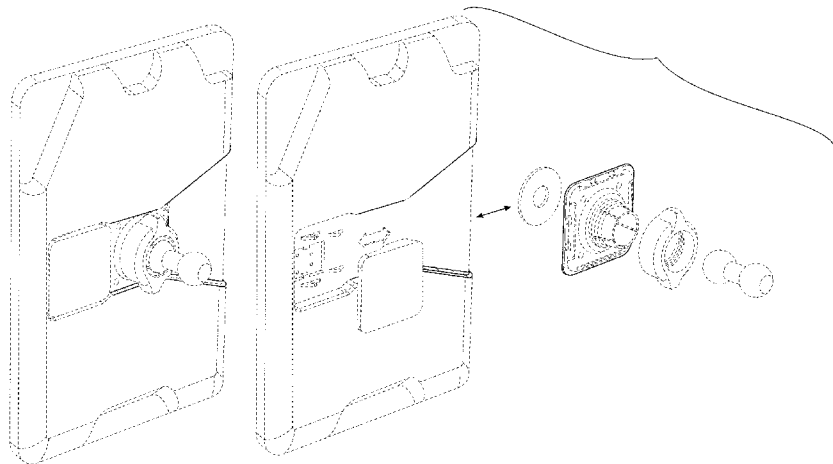
FIG. 8 is a perspective assembly view of the quick release system.

FIG. 9 is a perspective view of the slide forming the slide path from FIG. 1; and,

FIG. 10 is an end view of the slide forming the slide path from FIG. 1.

The broken lines shown in the figures are for the purpose of illustrating portions of the quick release system or the environmental structure that form no part of the claimed design.

**1 Claim, 7 Drawing Sheets**



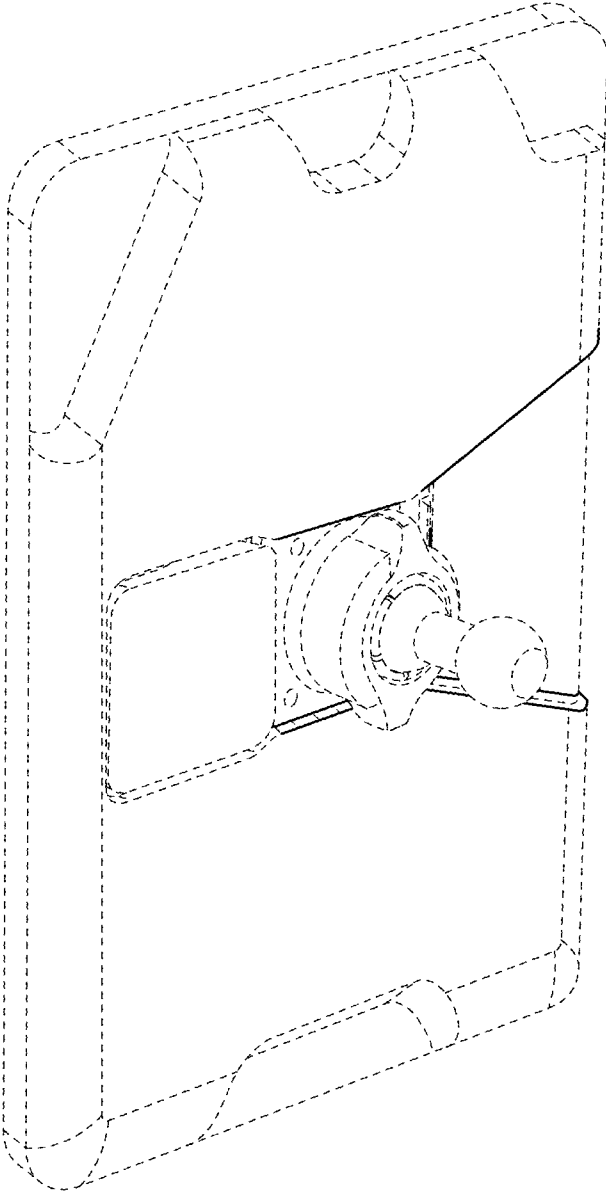


FIG. 1

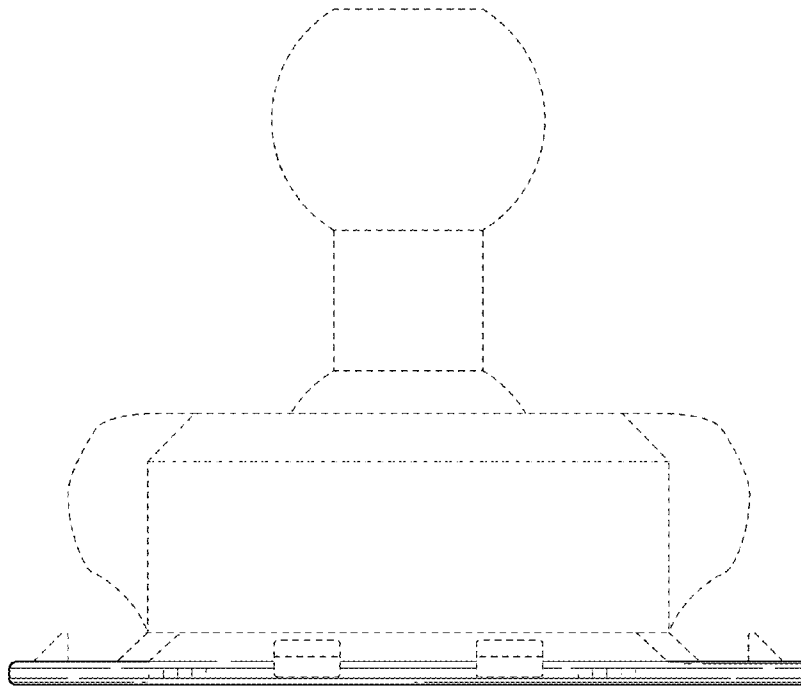


FIG. 2

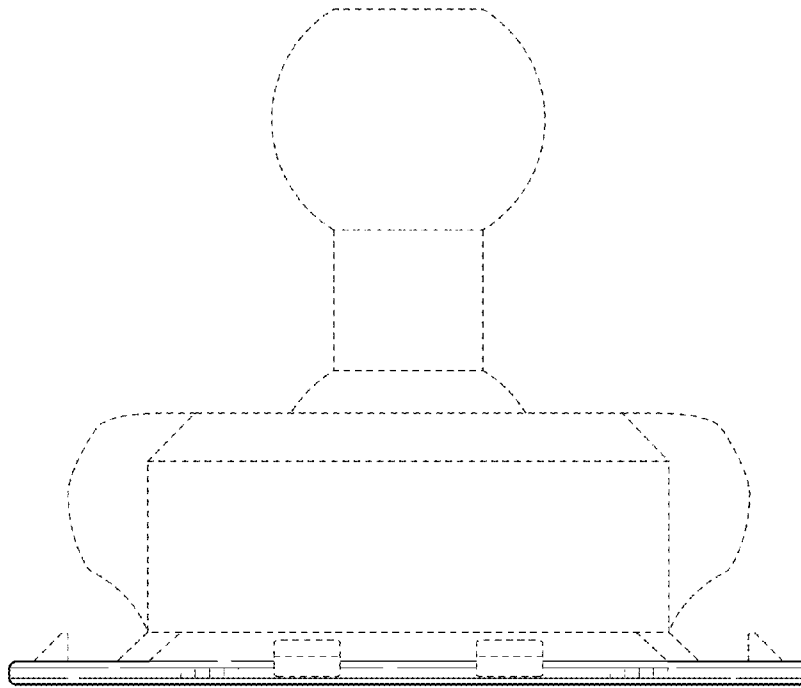


FIG. 3

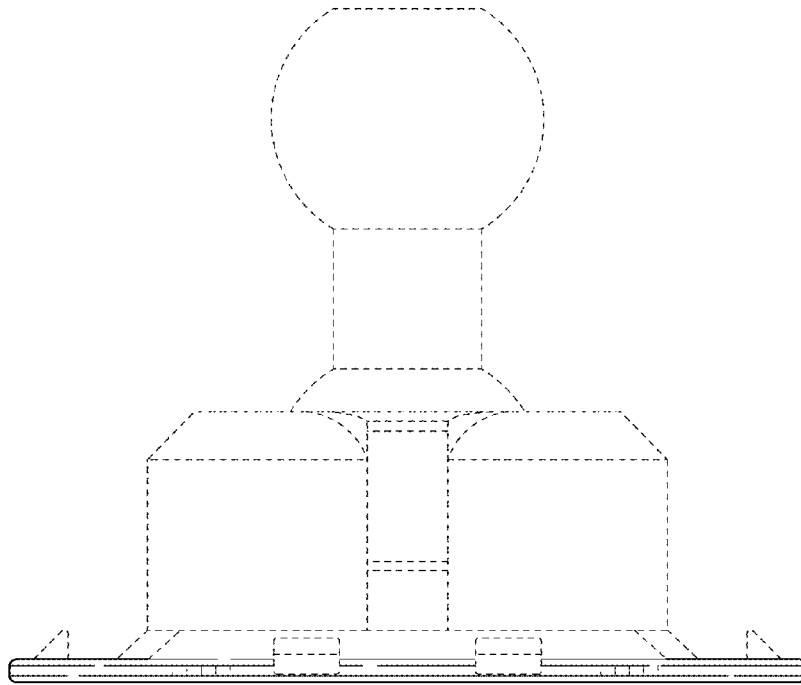


FIG. 4

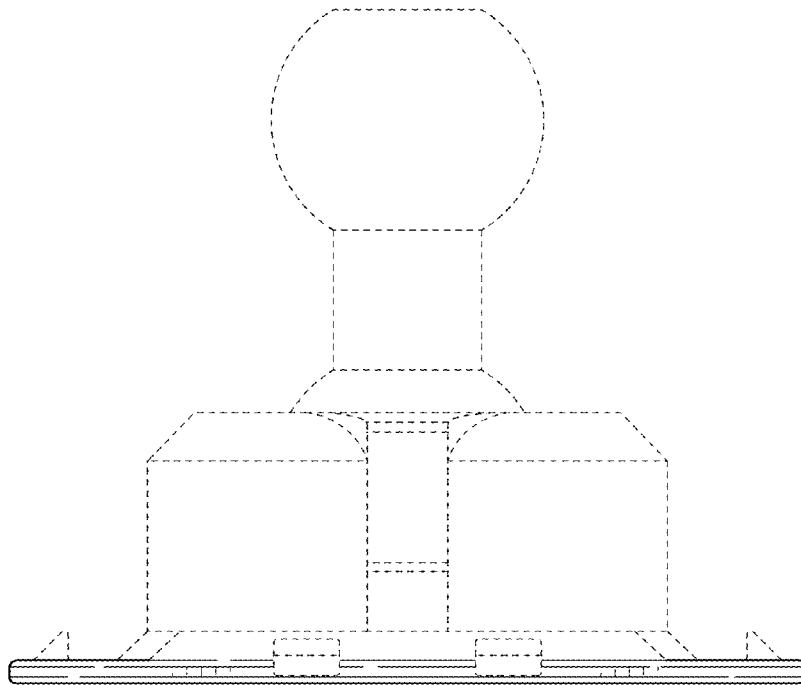


FIG. 5

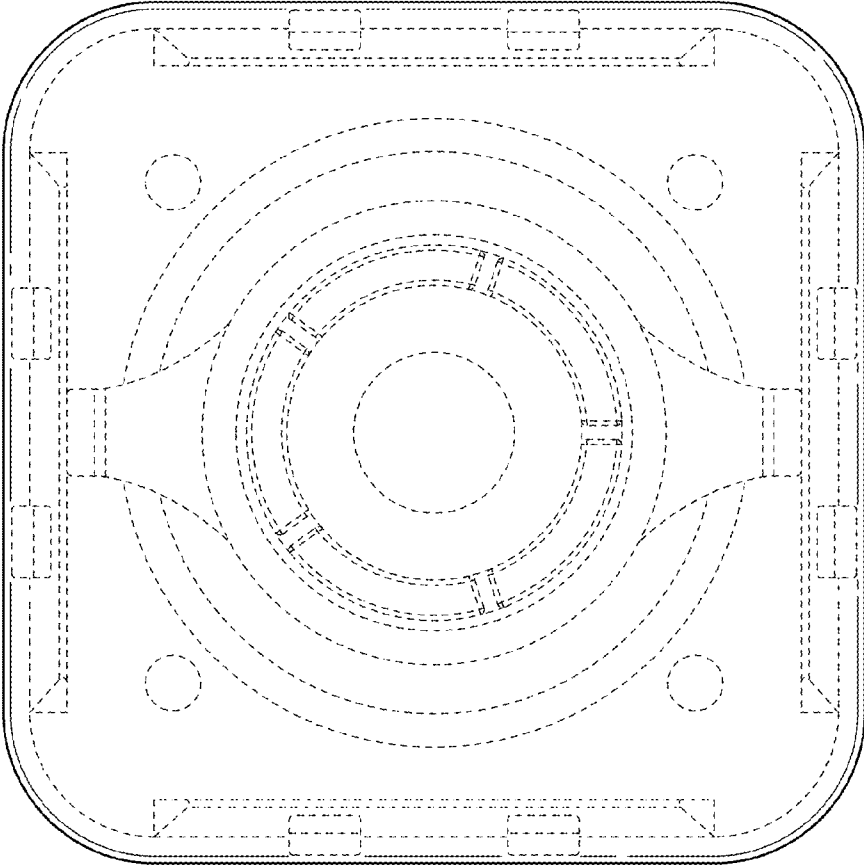


FIG. 6

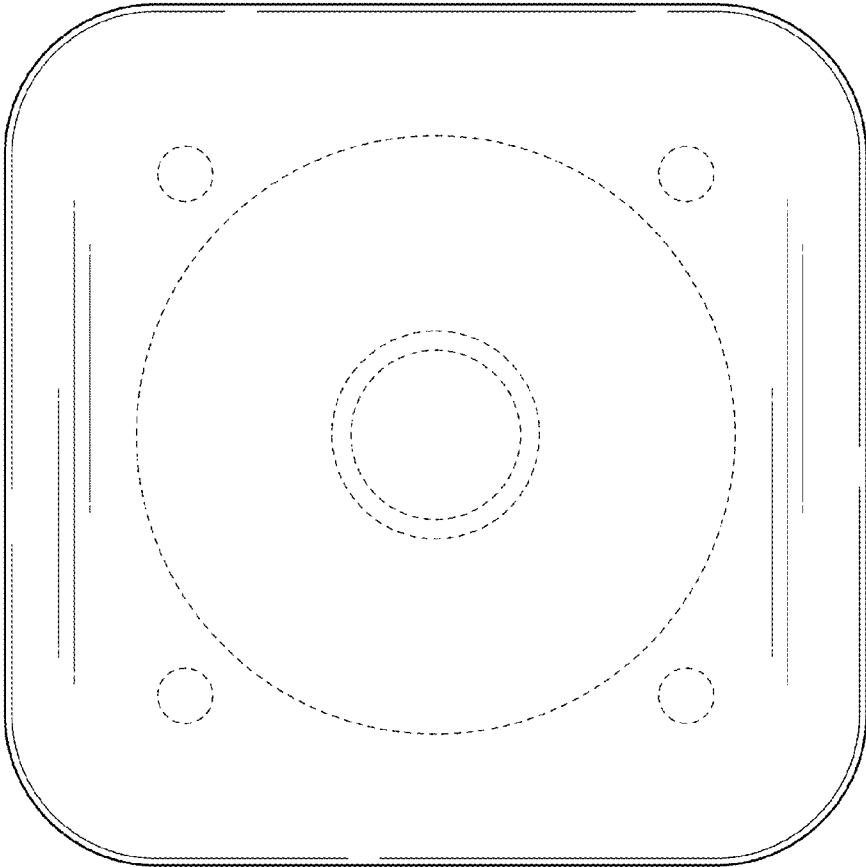


FIG. 7

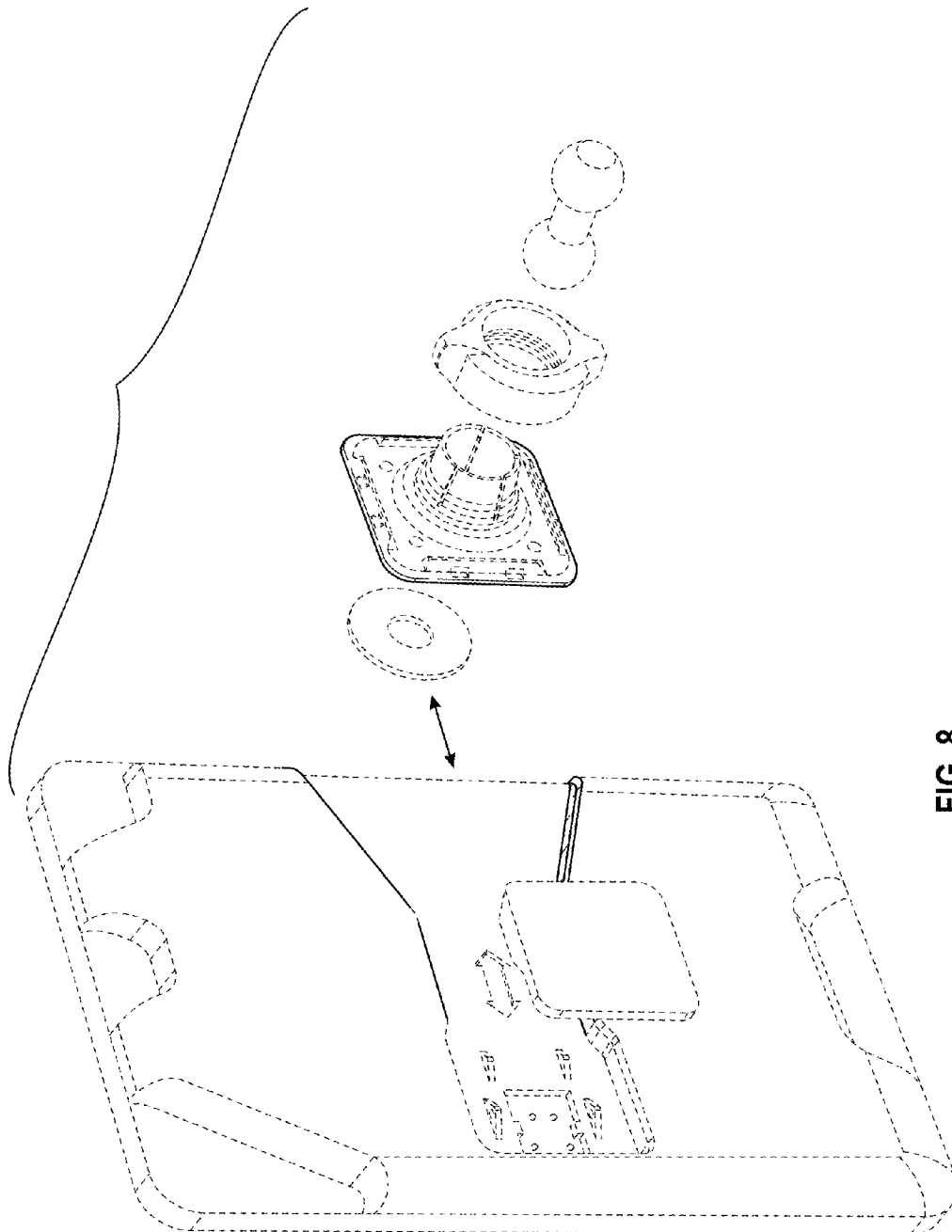


FIG. 8

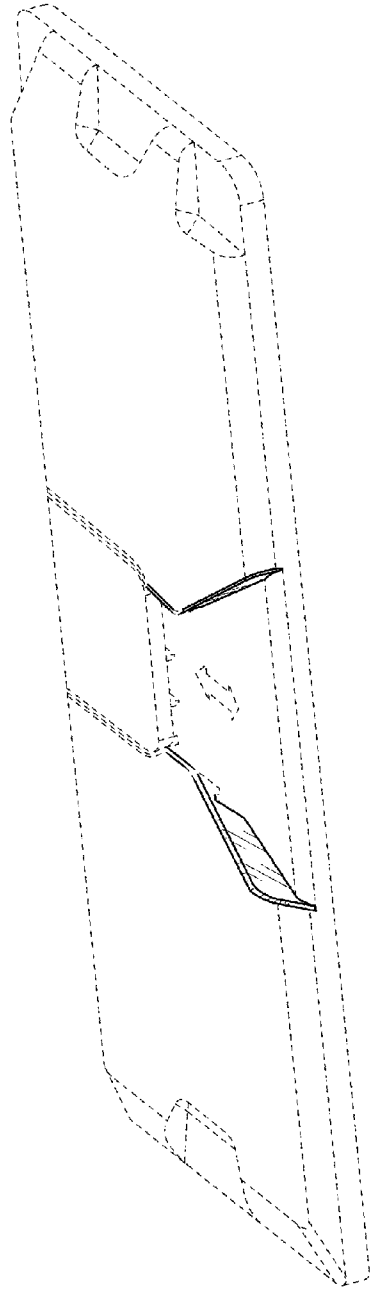


FIG. 9

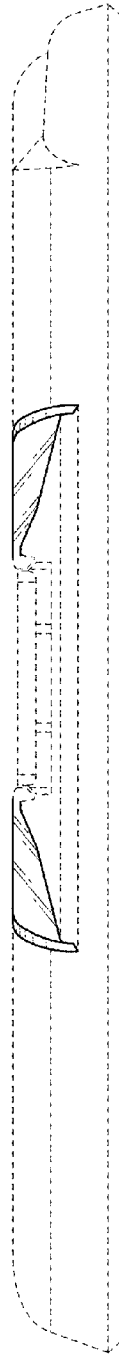


FIG. 10