



- (51) **International Patent Classification:**
A41G 5/00 (2006.01)
- (21) **International Application Number:**
PCT/GB2012/000602
- (22) **International Filing Date:**
19 July 2012 (19.07.2012)
- (25) **Filing Language:** English
- (26) **Publication Language:** English
- (30) **Priority Data:**
1112560.6 21 July 2011 (21.07.2011) GB
- (71) **Applicant** (for all designated States except US): **FLIP-IN-HAIR LTD** [GB/GB]; Unit 5 The Court, Holywell Business Park, Northfield Road, Southam, Warwickshire CV47 0FS (GB).
- (72) **Inventor; and**
- (75) **Inventor/Applicant** (for US only): **DAYLE, Adams** [GB/GB]; Unit 4 Bull Ring Business Centre, Harbury, Leamington Spa, Warwickshire CV33 9HL (GB).
- (74) **Agents:** **MCWILLIAMS, David** et al.; Withers & Rogers LLP, 4 More London Riverside, London SE1 2AU (GB).
- (81) **Designated States** (unless otherwise indicated, for every kind of national protection available): AE, AG, AL, AM,

AO, AT, AU, AZ, BA, BB, BG, BH, BR, BW, BY, BZ, CA, CH, CL, CN, CO, CR, CU, CZ, DE, DK, DM, DO, DZ, EC, EE, EG, ES, FI, GB, GD, GE, GH, GM, GT, HN, HR, HU, ID, IL, IN, IS, JP, KE, KG, KM, KN, KP, KR, KZ, LA, LC, LK, LR, LS, LT, LU, LY, MA, MD, ME, MG, MK, MN, MW, MX, MY, MZ, NA, NG, NI, NO, NZ, OM, PE, PG, PH, PL, PT, QA, RO, RS, RU, RW, SC, SD, SE, SG, SK, SL, SM, ST, SV, SY, TH, TJ, TM, TN, TR, TT, TZ, UA, UG, US, UZ, VC, VN, ZA, ZM, ZW.

- (84) **Designated States** (unless otherwise indicated, for every kind of regional protection available): ARIPO (BW, GH, GM, KE, LR, LS, MW, MZ, NA, RW, SD, SL, SZ, TZ, UG, ZM, ZW), Eurasian (AM, AZ, BY, KG, KZ, RU, TJ, TM), European (AL, AT, BE, BG, CH, CY, CZ, DE, DK, EE, ES, FI, FR, GB, GR, HR, HU, IE, IS, IT, LT, LU, LV, MC, MK, MT, NL, NO, PL, PT, RO, RS, SE, SI, SK, SM, TR), OAPI (BF, BJ, CF, CG, CI, CM, GA, GN, GQ, GW, ML, MR, NE, SN, TD, TG).

Published:

- with international search report (Art. 21(3))
- before the expiration of the time limit for amending the claims and to be republished in the event of receipt of amendments (Rule 48.2(h))



WO 2013/011261 A1

(54) **Title:** COSMETIC HAIRPIECE

(57) **Abstract:** A cosmetic hairpiece (10) is configured to be worn on a wearer's head in conjunction with a hair feature such as a ponytail, pigtail or like hair feature. The hairpiece has strands of hair (12) and an attachment portion for releasably securing the hairpiece on a wearer's head. The strands of hair (12) depend from an elongate section (14) to be positioned around a ponytail, pigtail or like hair feature. The attachment portion is configured for securing the elongate section relative to said ponytail, pigtail or like hair feature. The elongate section may include a channel (26) and the attachment means (30) may be an elastic bungee or braid which is mounted in the channel and intended to be stretched and wrapped around the hair feature. The ends of the bungee or braid include hooks for attaching to one another or another part of the hairpiece.

Cosmetic hairpiece

The present invention relates to a cosmetic hairpiece for positioning on a wearer's head.

5

There are occasions when it is desirable for a person's existing hair to be enhanced for cosmetic reasons. Hair may be shorter or thinner than desired. In such cases cosmetic hair extensions may be attached to existing hairs. However, this can create further problems such as hair being pulled out or adverse scalp reactions. It is also an expensive and time consuming process best carried out by a professional hairdresser.

10

A preferable alternative is to use a cosmetic hairpiece which can be self-attached to create longer or thicker hair, or to add hair of a contrasting colour to existing hair.

15

It is known to attach a cosmetic hairpiece to an existing ponytail, pigtail or other hair feature to thicken, lengthen or otherwise alter the appearance of the wearer's hair. In one example, there is provided a conventional elasticated hair bobble to which strands of cosmetic hair are attached. The hair bobble can be used to encircle an existing ponytail or plait, in order to temporarily secure the hairpiece on the wearer's head.

20

There are drawbacks to such an arrangement. For example, there is only one way in which a hair bobble can be attached to a wearer's head, i.e. by being wrapped one or more times about an existing hair feature. Hence, there is a lack a flexibility in attachment of the hairpiece. Moreover, the process of drawing the cosmetic hair through the bobble, may cause said hair to become entangled with the bobble, which is undesired.

25

There is a requirement for an improved cosmetic hairpiece for use in conjunction with a ponytail or other hair feature.

30

According to the present invention there is provided a cosmetic hairpiece configured to be worn on a wearer's head in conjunction with a hair feature such as a ponytail, pigtail or like hair feature. The hairpiece comprises strands of hair and an attachment portion for releasably securing the hairpiece on a wearer's head. The strands of hair depend from an elongate section to be positioned around a ponytail, pigtail or like hair feature, and the attachment

portion is configured for securing the elongate section relative to said ponytail, pigtail or like hair feature.

5 The attachment portion may be configured to be wrapped around a ponytail, pigtail or like hair feature, and/or may comprise a flexible elongate member having at least one free end. The elongate member may be of extendable length, and may be elastic. The elongate member may be movable relative to said elongate section.

10 The elongate section may define a recess or channel, and the attachment portion may comprise a flexible elongate member located within the recess or channel. The elongate member may be movable within the recess or channel, and/or may be movable relative to the recess or channel. The elongate member may be elastic. The elongate member may include a free end extending from said elongate section.

15 The attachment portion may have at least one attachment element for securing the hairpiece on a wearer's head. The attachment element may be a hook. The attachment portion may include first and second attachment elements configured to engage one another for securing the hairpiece on a wearer's head.

20 There is further provided a method of releasably securing a cosmetic hairpiece to a ponytail, pigtail or like feature on a wearer's head, the method comprising the steps of:

a) providing a hairpiece comprising strands of hair and an attachment portion for releasably securing the hairpiece on a wearer's head, wherein the wefts of hair depend from an elongate section configured to be positioned around a hair feature such as a ponytail,
25 pigtail or like hair feature;

b) positioning the elongate section around a hair feature such as a ponytail, pigtail or like hair feature; and

c) securing the hairpiece adjacent or to said hair feature using the attachment portion.

30 There is yet further provided a cosmetic hairpiece configured to be worn on a wearer's head in conjunction with a hair feature such as a ponytail, pigtail or like hair feature, the hairpiece comprising strands of hair which depend from an elongate section to be positioned around a ponytail, pigtail or like hair feature, the hairpiece further comprising an elastic attachment portion having free ends which extend relative to the elongate section, wherein the elastic

attachment portion is configured to be stretched and wrapped around the base of the hair feature, and the free ends secured to one another or to the elongate section, for securing the elongate section relative to said hair feature.

- 5 The attachment portion may comprise a flexible elongate member having at least one free end. The elongate member may be of extendable length, and may be elastic. The elongate member may be movable relative to said elongate section.

- 10 The elongate section may define a recess or channel, and the attachment portion may comprise a flexible elongate member located within the recess or channel. The elongate member may be movable within the recess or channel, and/or may be movable relative to the recess or channel. The elongate member may be elastic. The elongate member may include a free end extending from said elongate section.

- 15 The attachment portion may have at least one attachment element for securing the hairpiece on a wearer's head. The attachment element may be a hook. The attachment portion may include first and second attachment elements configured to engage one another for securing the hairpiece on a wearer's head.

- 20 There is also provided a cosmetic hairpiece configured to be worn on a wearer's head in conjunction with a hair feature such as a ponytail, pigtail or like hair feature, the hairpiece comprising strands of hair which depend from an elongate section to be positioned around a ponytail, pigtail or like hair feature, wherein an attachment portion extends relative to said elongate section and includes a free end having an attachment element for releasable
25 attachment to another part of the hairpiece or to the hair feature, for securing the hairpiece relative to the hair feature.

The attachment portion may be configured to be wrapped around a ponytail, pigtail or like hair feature, and/or may comprise a flexible elongate member having at least one free end.

- 30 The elongate member may be of extendable length, and may be elastic. The elongate member may be movable relative to said elongate section.

The elongate section may define a recess or channel, and the attachment portion may comprise a flexible elongate member located within the recess or channel. The elongate

member may be movable within the recess or channel, and/or may be movable relative to the recess or channel. The elongate member may be elastic. The elongate member may include a free end extending from said elongate section.

- 5 The attachment portion may have at least one attachment element for securing the hairpiece on a wearer's head. The attachment element may be a hook. The attachment portion may include first and second attachment elements configured to engage one another for securing the hairpiece on a wearer's head.
- 10 Other aspects and preferred features of the invention will be readily apparent from the claims and following description of preferred embodiments made, by way of example only, with reference to the following drawings, in which:

Figure 1 shows a front view of a hairpiece according to an embodiment of the present
15 invention;

Figure 2 shows a cross-sectional view through line A-A of Figure 1; and

Figure 3 shows a side view of the embodiment of Figures 1 and 2 arranged for attachment to
20 a wearer's head.

With reference to Figure 1, a cosmetic hairpiece is indicated generally at 10. The hairpiece 10 has a plurality of strands of hair 12 which depend from an elongate section 14. As will be described in more detail below, the elongate section 14 is flexible and is intended to be
25 positioned around at least part of a ponytail, pigtail or like hair feature.

In the illustrated embodiment, the elongate section 14 has upper and lower edges 16, 18 and a longitudinal axis B. As can be seen in Figure 2, the elongate section 14 is formed from two elongate strips 20, 22 of material. The strands of hair depend from either side of the elongate
30 section 14, and may be secure relative to the elongate section by sewing the upper ends of said hair strands to the strips 20, 22, for example.

The two strips 20, 22 are joined together along their upper and lower edges 16, 18 to form two seams 24. This may be achieved by any suitable means, such as sewing, stitching or gluing, for example.

5 In other examples (not illustrated), the strips of material 20, 22 may be omitted.

For example, an alternative embodiment comprises multiple wefts of hair which are secured together (e.g. by a sewing, stitching or gluing) in such a manner as to define an elongate section intended to be positioned around a hair feature. Each weft will typically consist of
10 multiple strands of hair which are secured together at one end, to define a proximal portion which is intended to be positioned adjacent the wearer's head. The wefts may be secured together (e.g. by sewing, stitching or gluing) to form an elongate section 14 defined by the conjoined proximal portions of the wefts.

15 In a further alternative, multiple strands of hair having first and second ends are themselves secured relative to one another (e.g. by a sewing, stitching or gluing the first ends of the strands of hair relative to one another) to form an elongate section 14 defined by the conjoined first ends of the strands of hair.

20 In each of the above-mentioned embodiments (including Figure 2), the hairpiece consists of multiple strands or wefts of hair which are free to move relative to one another at one end, but which are secured relative to one another at the other end in a manner which defines or forms part of an elongate section (i.e. not a continuous loop) extending in a direction substantially perpendicular to the longitudinal axis of the strands hair.

25 In exemplary embodiments, the elongate section 14 defines a recess or channel for receiving a flexible attachment portion, e.g. in the form of an elongate elastic element, for use in holding the elongate section 14 on the wearer's head. In exemplary embodiments, the attachment portion projects from the ends of the recess or channel and is able to move along
30 the recess or channel.

In the illustrated embodiment of Figure 2, a channel is indicated at 26 and is delimited by the two strips 20, 22 and the seams 24. The channel 26 is open at the longitudinal ends 28. A flexible attachment portion 30 extends within the channel 26 and has opposing distal ends 32

which project from either end 28 of the section 14. As will be described in more detail below, the attachment portion 30 is used for holding the elongate section 14 on the wearer's head.

- 5 In this embodiment, the attachment portion 30 is in the form of an elastic bungee 30. Hence, the length of the can be extended (stretched) from a relaxed state, e.g. by pulling on one or both of the distal ends 32.

10 The bungee 30 is constrained in directions substantially perpendicular to the axis B, e.g. by the seams 24. However, the bungee 30 is arranged for movement within the channel 26, e.g. relative to the elongate section 14 in either direction generally parallel to the axis B. Moreover, the bungee 30 can be stretched in either direction, if necessary (e.g. so that one or both of the ends 32 project further beyond the ends 28 of the section 14 than when the bungee 30 is in a relaxed state).

15

In those embodiments which omit the material strip 20, 22, the elongate section 14 may also be configured to define a channel or recess for the attachment portion 30. For example, the elongate section 14 may consist of two strips of secured hair strands or wefts, wherein the two strips are joined together (e.g. by an upper and lower seam) in order to define a channel or recess between said strips.

20

Each end 32 of the attachment portion 30 has an attachment element 34, which can be used for securing the hairpiece 10 in place. In the illustrated embodiment, attachment elements 34 take the form of hooks, which can be interlocked with one another, or which can be used to lock into the strip 14 or the user's hair etc. The hooks 34 act as stops to prevent the bungee 30 from being pulled too far through the channel 26 in the section 14. In the illustrated embodiment, each hook 34 has a hollow domed base 36 which is crimped on to the bungee 30.

25

30 The hair strands 12 (or wefts) may consist of any suitable form of replacement hair (e.g. real or synthetic strands of hair). The hooks 34 may be of any suitable material, e.g. metal or plastics material.

The attachment portion 30 may be of any suitable flexible material. In exemplary embodiments, the attachment portion 30 is elastic, e.g. an elastic bungee, cord or string, or a flat strip of elastic material such as an elastic braid.

5 An exemplary method of attachment of the hairpiece 10 will now be described with reference to Figure 3, which shows the hairpiece 10 arranged as it could be when worn.

10 The hairpiece 10 is configured to be worn over a wearer's existing hair feature such as a ponytail, pigtail or the like (not shown). When fitting the hairpiece 10, the strip 14 is held at the base of the existing hair feature, i.e. close to the wearer's head. One or both ends 32 of the attachment portion 30 are wrapped around the existing hair feature. The attachment portion 30, if elastic, may be stretched to allow one or more ends 32 to encircle the existing hair feature, and to retract to ensure that the hairpiece 10 is tightly secured on the wearer's head. The hooks 34 can be hooked onto the strip 14 or to one another, or to another part of
15 the hairpiece 10 (or the user's hair or a hair tie constraining the existing hair feature), in order to releasably secure the hairpiece 10 in place on the wearer's head.

20 Once fitted, the hairpiece 10 creates the effect of a natural ponytail, either covering existing hair and extending past it to increase length, or blending with existing hair to increase thickness. The elongate section 14 can be discreetly and easily concealed, e.g. by a ribbon, hair clip, hair bobble or the like, or by having an outer surface intended to resemble a ribbon or hair bobble or the like. The hair strands 12 can be plaited, either with one another or in with existing hair. The hairpiece 10 may be the same colour as the wearer's existing hair to create a natural effect, or may be a contrasting colour for a more noticeable effect.

25 The hairpiece 10 provides greater flexibility of attachment than is found in known hairpieces. The use of an elastic attachment portion 30 is particularly advantageous, since it enables the attachment portion to be stretched and wrapped around an existing hair feature as many times as is required, with the ends 32 secured in a range of positions. The hairpiece can be fitted
30 without tangling of the wefts of hair, as there is no requirement for the hair to be passed through a loop. Embodiments, in which the attachment portion 30 is movable within the elongate section 14 provides additional versatility.

In other embodiments (not shown) a shorter attachment portion 30, most preferably a bungee or other elastic element, is attached to each end of the elongate section 14 (rather than running through a channel 26), with each end including a suitable attachment element. Alternatively, a single attachment portion 30 (most preferably a bungee or other elastic element) may be attached to one end of the elongate section 14, with a suitable attachment element at the distal end of the attachment portion 30, for securing engagement with another part of the hairpiece etc. In such embodiments, or in any other embodiments, the elongate section 14 may include one or more attachment elements (e.g. a plurality of apertures, eyes or hooks), onto which a distal end of the attachment portion 30 may be secured (e.g. via a hook 34 provided at the end of the attachment portion 30).

Hooks or other positive securing elements may be provided on the elongate section 14, to provide additional means for securing the hairpiece to the wearer's hair, e.g. for hooking into the hair feature and temporarily holding the elongate section adjacent the hair feature during positioning of the attachment portion.

In further alternative embodiments, the ends 32 of the attachment portion 30 may be knotted together or otherwise connected without the use of attachment elements 34.

20

Claims

1. A cosmetic hairpiece configured to be worn on a wearer's head in conjunction with a hair feature such as a ponytail, pigtail or like hair feature, the hairpiece comprising strands of hair and an attachment portion for releasably securing the hairpiece on a wearer's head, wherein the strands of hair depend from an elongate section to be positioned around a ponytail, pigtail or like hair feature, and the attachment portion is configured for securing the elongate section relative to said ponytail, pigtail or like hair feature.
2. A hairpiece according to claim 1 wherein the attachment portion is configured to be wrapped around a ponytail, pigtail or like hair feature.
3. A hairpiece according to claim 1 or claim 2 wherein the attachment portion comprises a flexible elongate member having at least one free end.
4. A hairpiece according to claim 3 wherein the elongate member is of extendable length.
5. A hairpiece according to claim 3 or claim 4 wherein the elongate member is elastic.
6. A hairpiece according to any one of claims 3 to 5 wherein the elongate member is movable relative to said elongate section.
7. A hairpiece according to any one of claims 1 to 6 wherein the elongate section defines a recess or channel, and wherein the attachment portion comprises a flexible elongate member located within the recess or channel.
8. A hairpiece according to claim 7 wherein the elongate member is movable within or relative to the recess or channel.
9. A hairpiece according to claim 7 or claim 8 wherein the elongate member is elastic.
10. A hairpiece according to any one of claims 7 to 9 wherein the elongate member includes a free end extending from said elongate section.

11. A hairpiece according to any preceding claim wherein the attachment portion has at least one attachment element for securing the hairpiece on a wearer's head, e.g. a hook.

5 12. A hairpiece according to claim 11 wherein the attachment portion includes first and second attachment elements configured to engage one another for securing the hairpiece on a wearer's head.

10 13. A method of releasably securing a cosmetic hairpiece to a ponytail, pigtail or like feature on a wearer's head, the method comprising the steps of:

a) providing a hairpiece comprising strands of hair and an attachment portion for releasably securing the hairpiece on a wearer's head, wherein the wefts of hair depend from an elongate section configured to be positioned around a hair feature such as a ponytail, pigtail or like hair feature;

15 b) positioning the elongate section around a hair feature such as a ponytail, pigtail or like hair feature; and

c) securing the hairpiece adjacent or to said hair feature using the attachment portion.

20 14. A cosmetic hairpiece configured to be worn on a wearer's head in conjunction with a hair feature such as a ponytail, pigtail or like hair feature, the hairpiece comprising strands of hair which depend from an elongate section to be positioned around a ponytail, pigtail or like hair feature, the hairpiece further comprising an elastic attachment portion having free ends which extend relative to the elongate section, wherein the elastic attachment portion is configured to be stretched and wrapped around the base of the hair feature and the free ends
25 secured to one another or to the elongate section, for securing the elongate section relative to said hair feature.

30 15. A cosmetic hairpiece configured to be worn on a wearer's head in conjunction with a hair feature such as a ponytail, pigtail or like hair feature, the hairpiece comprising strands of hair which depend from an elongate section to be positioned around a ponytail, pigtail or like hair feature, wherein an attachment portion extends relative to said elongate section and includes a free end having an attachment element for releasable attachment to another part of the hairpiece or to the hair feature, for securing the hairpiece relative to the hair feature.

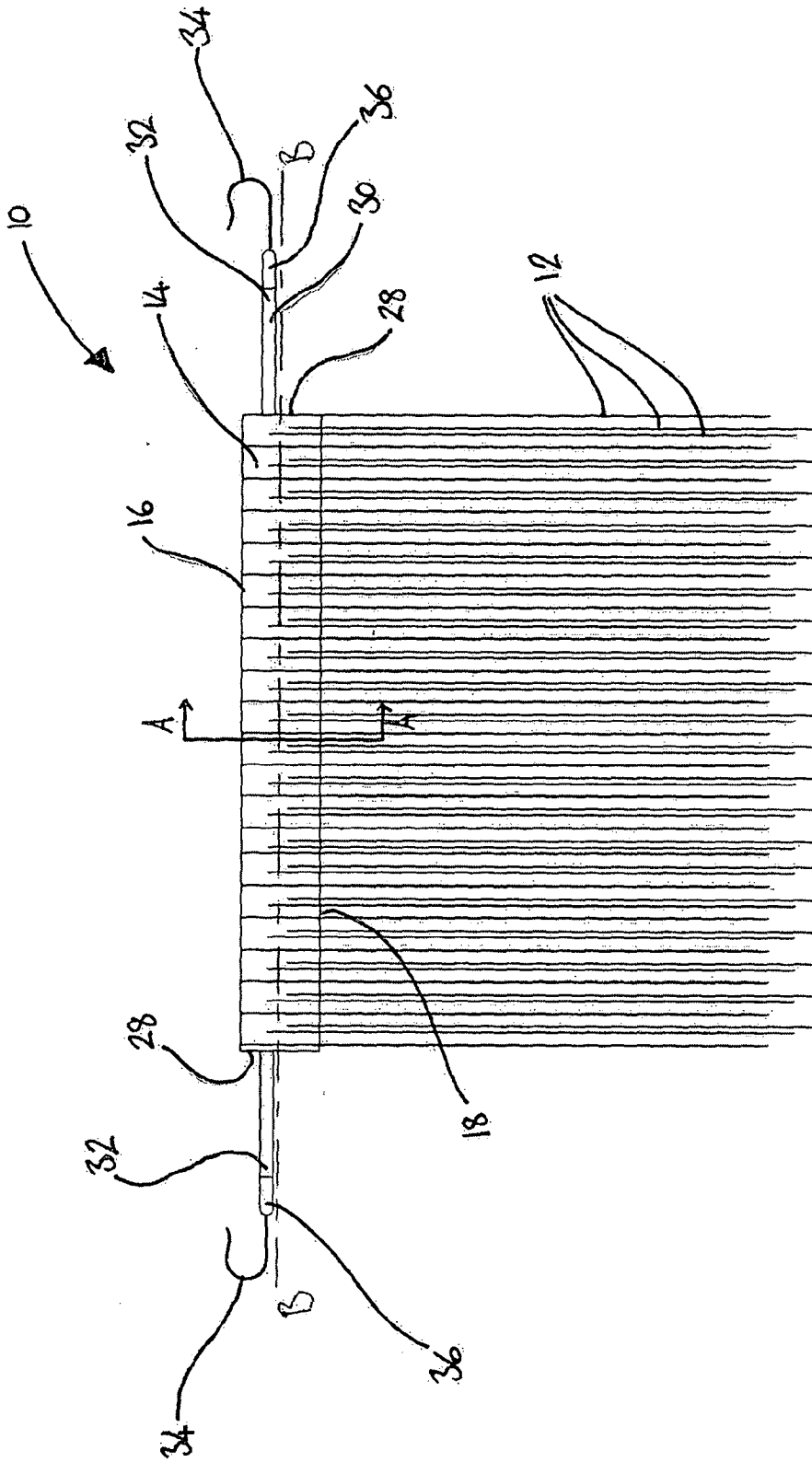


Fig 1

2/3

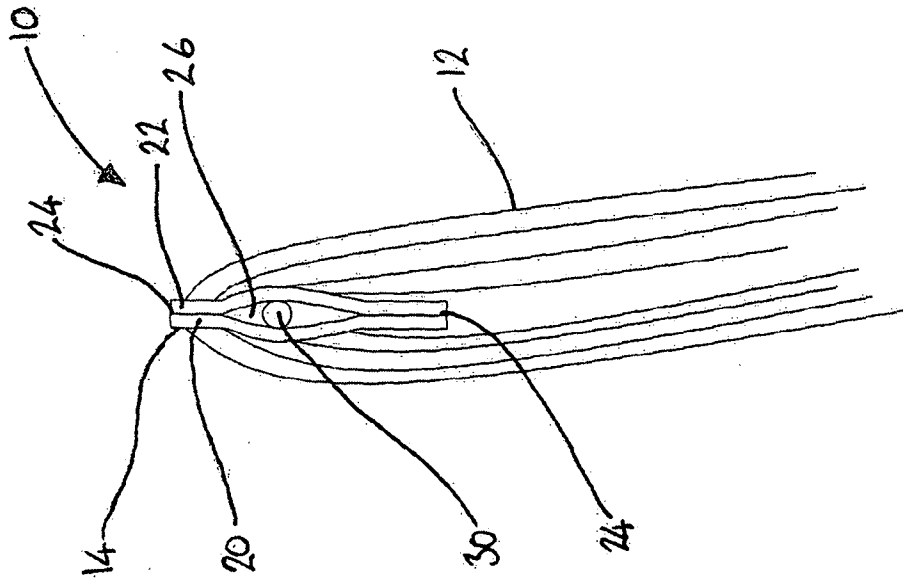


Fig. 2

3/3

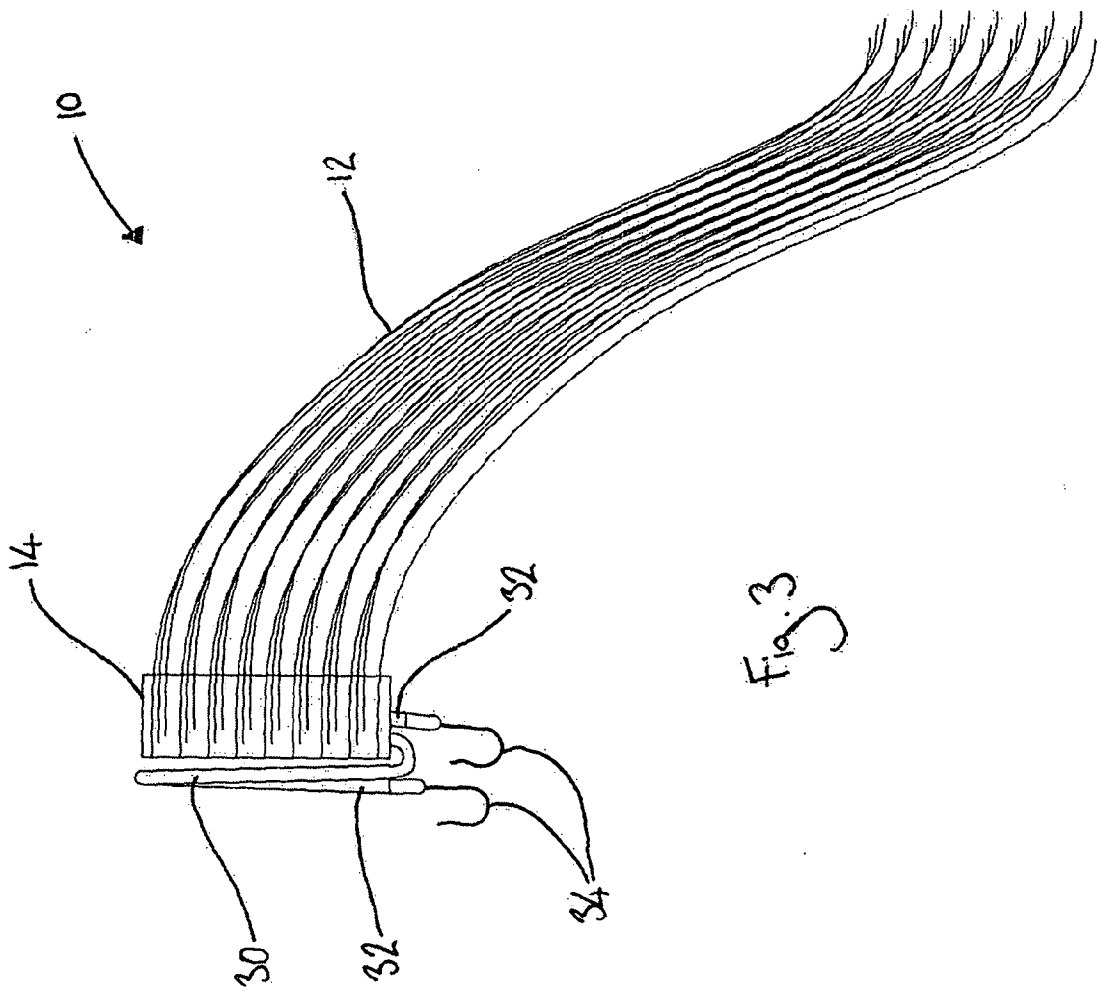


Fig. 3

INTERNATIONAL SEARCH REPORT

International application No
PCT/GB2012/000602

A. CLASSIFICATION OF SUBJECT MATTER
INV. A41G5/00
ADD.

According to International Patent Classification (IPC) or to both national classification and IPC

B. FIELDS SEARCHED
Minimum documentation searched (classification system followed by classification symbols)
A41G A45D

Documentation searched other than minimum documentation to the extent that such documents are included in the fields searched

Electronic data base consulted during the international search (name of data base and, where practicable, search terms used)
EPO-Internal, WPI Data

C. DOCUMENTS CONSIDERED TO BE RELEVANT

Category*	Citation of document, with indication, where appropriate, of the relevant passages	Relevant to claim No.
X	US 5 899 211 A (BROWN THOMAS A [US]) 4 May 1999 (1999-05-04) column 4, line 11 - column 6, line 37; figures 1-7 -----	1-15
X	US 5 937 867 A (WILLIAMS ELLA J [US]) 17 August 1999 (1999-08-17) column 4, line 33 - line 67; figures 1-4 -----	1-3,6, 11-13,15
A	US 2006/107966 A1 (BIRD RAYMOND [GB]) 25 May 2006 (2006-05-25) paragraph [0008] - paragraph [0009]; figures 1a-1g paragraph [0054] - paragraph [0062] -----	1-15
A	DE 16 10 866 A1 (ITO YONEZO; KOMACHIA HONTEN CO LTD) 4 February 1971 (1971-02-04) the whole document -----	1-15

Further documents are listed in the continuation of Box C.

See patent family annex.

* Special categories of cited documents :

- "A" document defining the general state of the art which is not considered to be of particular relevance
- "E" earlier application or patent but published on or after the international filing date
- "L" document which may throw doubts on priority claim(s) or which is cited to establish the publication date of another citation or other special reason (as specified)
- "O" document referring to an oral disclosure, use, exhibition or other means
- "P" document published prior to the international filing date but later than the priority date claimed

- "T" later document published after the international filing date or priority date and not in conflict with the application but cited to understand the principle or theory underlying the invention
- "X" document of particular relevance; the claimed invention cannot be considered novel or cannot be considered to involve an inventive step when the document is taken alone
- "Y" document of particular relevance; the claimed invention cannot be considered to involve an inventive step when the document is combined with one or more other such documents, such combination being obvious to a person skilled in the art
- "&" document member of the same patent family

Date of the actual completion of the international search 13 November 2012	Date of mailing of the international search report 21/11/2012
---	--

Name and mailing address of the ISA/ European Patent Office, P.B. 5818 Patentlaan 2 NL - 2280 HV Rijswijk Tel. (+31-70) 340-2040, Fax: (+31-70) 340-3016	Authorized officer Simpson, Estelle
--	--

INTERNATIONAL SEARCH REPORT

Information on patent family members

International application No

PCT/GB2012/000602

Patent document cited in search report	Publication date	Patent family member(s)	Publication date
US 5899211	A	04-05-1999	NONE

US 5937867	A	17-08-1999	NONE

US 2006107966	A1	25-05-2006	EP 1698250 A2 06-09-2006
		GB 2420278 A	24-05-2006
		US 2006107966 A1	25-05-2006

DE 1610866	A1	04-02-1971	NONE
