



US00D913402S

(12) **United States Design Patent**  
**Kruger et al.**

(10) **Patent No.:** **US D913,402 S**  
(45) **Date of Patent:** **\*\* Mar. 16, 2021**

(54) <b>DETONATOR STRUCTURE</b>	5,499,581 A *	3/1996	Sutula, Jr. ....	C06C 5/06 102/275.12
(71) Applicant: <b>DETNET SOUTH AFRICA (PTY) LTD., Sandton (ZA)</b>	5,747,722 A *	5/1998	Gladden .....	C06C 5/04 102/275.11
(72) Inventors: <b>Michiel Jacobus Kruger, Sandton (ZA); Christopher Malcolm Birkin, Sandton (ZA); Andre Louis Koekemoer, Sandton (ZA); Richard Joseph Michna, Barkhamsted, CT (US); Daniel Auguste Maurissens, Sandton (ZA)</b>	6,694,886 B1 *	2/2004	Woodall .....	C06C 5/04 102/275.1
	6,736,068 B1 *	5/2004	Dumenko .....	F42B 3/10 102/205
	D719,236 S *	12/2014	Kilcullen .....	D22/112
	D756,481 S *	5/2016	Kilcullen .....	D22/112
	10,746,002 B2 *	8/2020	Barker .....	E21B 43/117
	2004/0055494 A1 *	3/2004	O'Brien .....	C06C 5/06 102/275.12
	2004/0200372 A1 *	10/2004	Gladden .....	F42B 3/10 102/275
(73) Assignee: <b>DETNET SOUTH AFRICA (PTY) LTD., Sandton (ZA)</b>	2005/0183610 A1 *	8/2005	Barton .....	C06C 7/00 102/275.11

(Continued)

*Primary Examiner* — Michael A. Pratt

(74) *Attorney, Agent, or Firm* — Cantor Colburn LLP

(\*\*) Term: **15 Years**  
(21) Appl. No.: **29/699,794**  
(22) Filed: **Jul. 29, 2019**

(30) **Foreign Application Priority Data**

Jan. 28, 2019 (ZA) ..... F2019/00133

(51) **LOC (13) Cl.** ..... **22-03**

(52) **U.S. Cl.**  
USPC ..... **D22/112**

(58) **Field of Classification Search**  
USPC ..... D22/112  
CPC .... C06C 7/02; C06C 7/00; C06C 5/06; C06C 5/04; F42B 3/00; F42B 3/02; F42C 19/08; F16B 39/282  
See application file for complete search history.

(56) **References Cited**

**U.S. PATENT DOCUMENTS**

3,580,171 A *	5/1971	Maes .....	C06B 47/08 102/315
5,204,492 A *	4/1993	Jacob .....	C06C 5/06 102/275.12

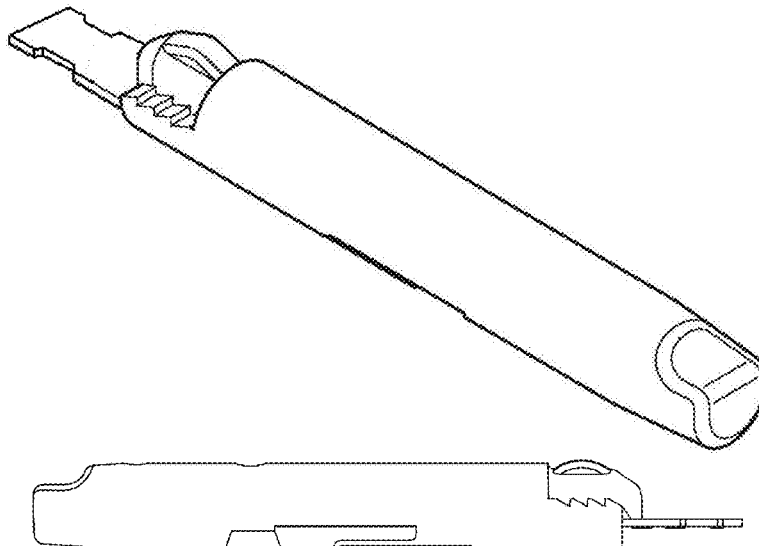
(57) **CLAIM**

We claim, the ornamental design for a detonator structure, as shown and described.

**DESCRIPTION**

FIG. 1 is a perspective view of a detonator structure according to the new design;  
FIG. 2 is a top-plan view of the detonator structure of FIG. 1;  
FIG. 3 is a view from a first side of the detonator structure of FIG. 1;  
FIG. 4 is a view from an opposing second side of the detonator structure of FIG. 1;  
FIG. 5 is a bottom-plan view of the detonator structure of FIG. 1;  
FIG. 6 is a view from a first end of the detonator structure of FIG. 1; and,  
FIG. 7 is a view from an opposing second end of the detonator structure of FIG. 1.

**1 Claim, 2 Drawing Sheets**



(56)

**References Cited**

U.S. PATENT DOCUMENTS

2019/0025018 A1\* 1/2019 Frank ..... F42D 1/20

\* cited by examiner

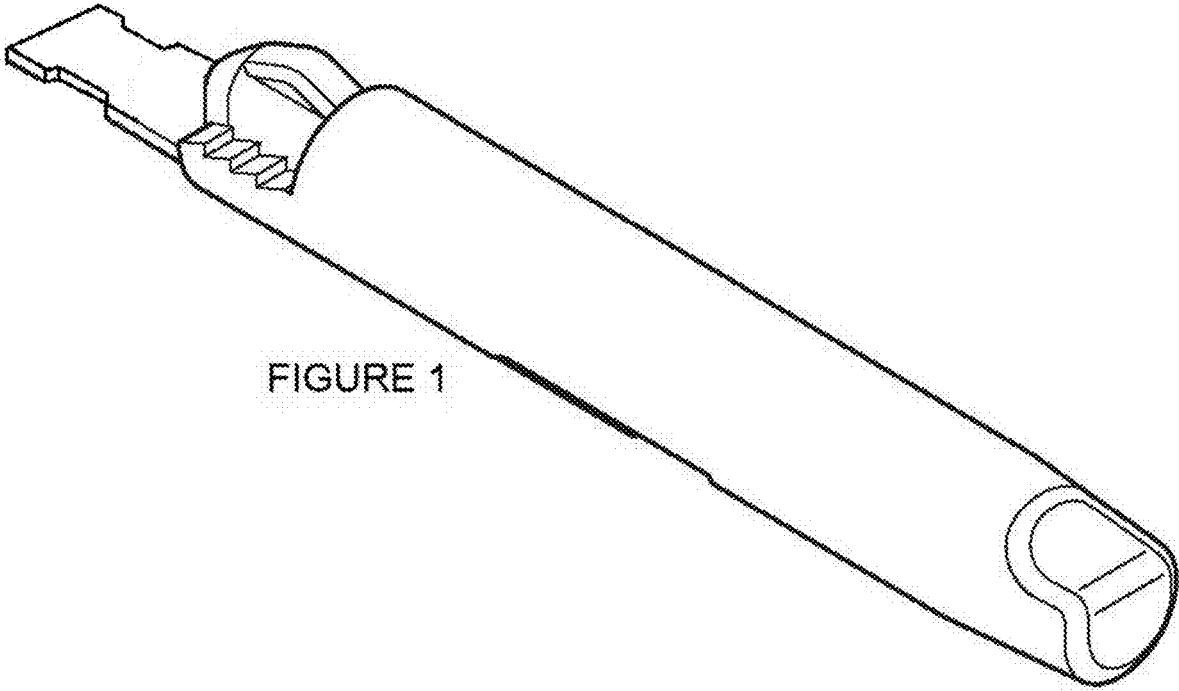


FIGURE 1



FIGURE 2

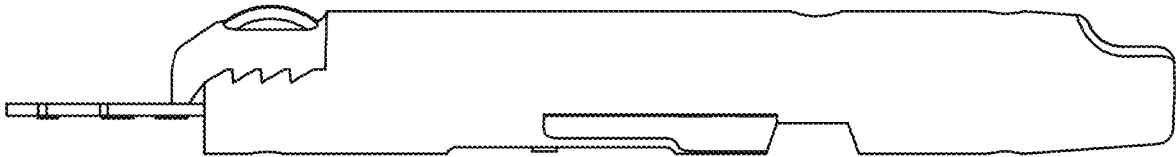


FIGURE 3

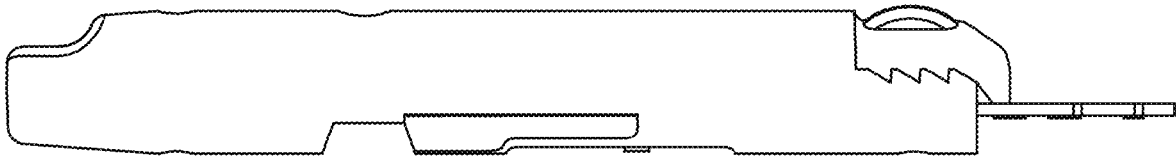


FIGURE 4

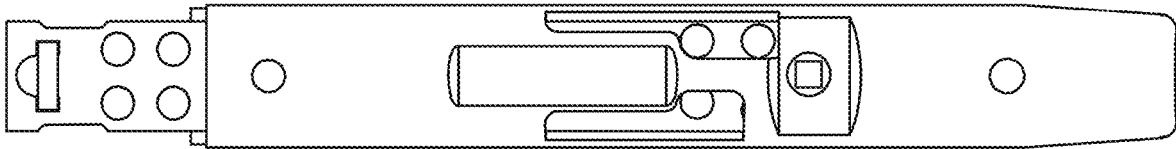


FIGURE 5

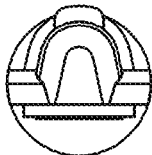


FIGURE 6

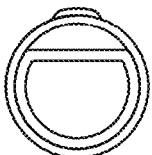


FIGURE 7