

(19) World Intellectual Property Organization  
International Bureau



(43) International Publication Date  
13 February 2003 (13.02.2003)

PCT

(10) International Publication Number  
**WO 03/011380 A2**

(51) International Patent Classification<sup>7</sup>: **A61M 5/30**

(21) International Application Number: PCT/GB02/03412

(22) International Filing Date: 25 July 2002 (25.07.2002)

(25) Filing Language: English

(26) Publication Language: English

(30) Priority Data:  
0118266.6 26 July 2001 (26.07.2001) GB

(71) Applicant (for all designated States except US): **POWDERJECT RESEARCH LIMITED** [GB/GB]; 4 Robert Robinson Avenue, The Oxford Science Park, Oxford OX4 4GA (GB).

(81) Designated States (national): AE, AG, AL, AM, AT, AU, AZ, BA, BB, BG, BR, BY, BZ, CA, CH, CN, CO, CR, CU, CZ, DE, DK, DM, DZ, EC, EE, ES, FI, GB, GD, GE, GH, GM, HR, HU, ID, IL, IN, IS, JP, KE, KG, KP, KR, KZ, LC, LK, LR, LS, LT, LU, LV, MA, MD, MG, MK, MN, MW, MX, MZ, NO, NZ, OM, PH, PL, PT, RO, RU, SD, SE, SG, SI, SK, SL, TJ, TM, TN, TR, TT, TZ, UA, UG, US, UZ, VN, YU, ZA, ZM, ZW.

(84) Designated States (regional): ARIPO patent (GH, GM, KE, LS, MW, MZ, SD, SL, SZ, TZ, UG, ZM, ZW), Eurasian patent (AM, AZ, BY, KG, KZ, MD, RU, TJ, TM), European patent (AT, BE, BG, CH, CY, CZ, DE, DK, EE, ES, FI, FR, GB, GR, IE, IT, LU, MC, NL, PT, SE, SK, TR), OAPI patent (BF, BJ, CF, CG, CI, CM, GA, GN, GQ, GW, ML, MR, NE, SN, TD, TG).

(72) Inventor; and

(75) Inventor/Applicant (for US only): **KENDALL, Mark, Anthony, Fernance** [AU/GB]; 4 Robert Robinson Avenue, The Oxford Science Park, Oxford OX4 4GA (GB).

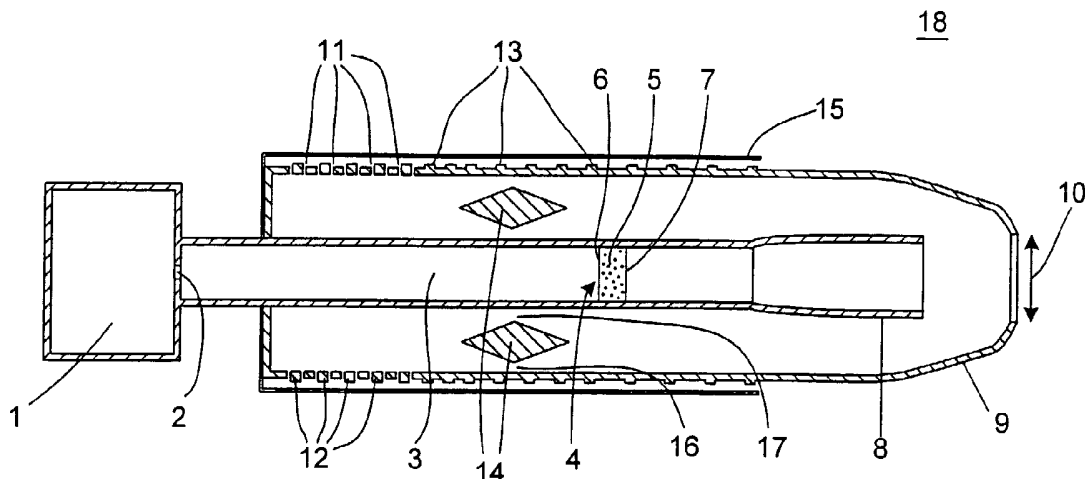
(74) Agent: **PRICE, Nigel, John, King**; J.A. Kemp & Co., 14 South Square, Gray's Inn, London WC1R 5JJ (GB).

**Published:**

— without international search report and to be republished upon receipt of that report

For two-letter codes and other abbreviations, refer to the "Guidance Notes on Codes and Abbreviations" appearing at the beginning of each regular issue of the PCT Gazette.

(54) Title: **SILENCING DEVICE AND METHOD FOR NEEDLELESS SYRINGE**



(57) Abstract: The invention provides a silencer and silencing method which ensures adequate silencing with no deleterious increase in back pressure (which creates a lift-off force) or decrease in device performance. Pressurised gas is supplied to a driver chamber by a bleed-hole having an effective bleed-hole area and, during use of the device for particle delivery, gas is vented to the atmosphere via a silencer having an effective venting area. The bleed-hole area and venting area are chosen to ensure that the mass flow rate of gas through the effective venting area is substantially equal to or greater than the mass flow rate of gas through the effective bleed-hole area. This ensures that there is no build up of gas in the silencer device which tends to increase back pressure and hence lift-off force. Preferred embodiments of the device comprise a silencer having a large volume and a small particle exit opening. Further, there is disclosed an embodiment using one or more transfer ducts to assist particle mixing.

WO 03/011380 A2

SILENCING DEVICE AND METHOD FOR NEEDLELESS SYRINGE

The present invention relates generally to the field of particle delivery and more particularly to needleless syringes which accelerate particles in a gas stream so as to deliver them into a target (such as the tissue of a subject).

WO 94/24263 discloses a needleless syringe for the injection of particles. Upon activation of the device, pressurised gas is supplied to a small rupture chamber in which there is located a particle cassette comprised of particles sandwiched between two rupturable membranes. Once pressure in the small rupture chamber has reached a certain value, the membranes rupture and gas continues to be supplied such that the particles are accelerated down a nozzle and into the target. After the particles have impacted the target, the gas used for accelerating the particles is routed past a series of baffles, to break down the reflected shockwave and provide a silencing effect, before being vented to the atmosphere.

In a device of this type, the chamber in which gas builds up initially is of a small volume and gas flowing into the chamber after rupture of the membranes is important in accelerating the particles. This fact is confirmed by WO 99/01168 in which a device having a large area valve is provided so that gas can continue to flow from the gas reservoir and down the nozzle after rupture of the membranes. This document suggests the same silencing mechanism as WO 94/24263.

WO 01/05455 discloses a needleless syringe device in which substantially all of the particles are delivered in a quasi-steady gas flow which is established after the passage of a starting process. This allows the particles to be reliably and repeatedly delivered.

In contrast to WO 94/24263 and WO 99/01168, WO 01/05455 proposes the use of a bleed-hole which limits the flow of gas from the reservoir to the chamber behind a closure means once the closure means has burst. In fact, substantially all of the particles are accelerated by the gas which builds up behind the closure means prior to bursting and the gas which flows from the reservoir after bursting has a negligible effect on accelerating the particles.

-2-

It has been found that the shockwave emitted by the device of WO 01/05455 can cause a loud noise to emanate from the device in use. It is desirable for this noise to be kept as small as possible so as to avoid alarming users of the device. At present, no silencer has been proposed that is suitable for use with a syringe of the form disclosed in WO 01/05455.

An attempt to apply the silencing teaching of WO 94/24263 or WO 99/01168 to the syringe at WO 01/05455 has not proved to be fruitful since the earlier silencer confines pressurised gas to an area near the target plane which creates a substantial lift-off force tending to move the device away from contact with the target. This is undesirable because the device should stay in contact with the target during injection if proper injection is to be ensured and because lift-off of the device releases gas allowing sound to escape, increasing noise. Any lift-off also allows particles to escape to the atmosphere instead of impacting the target. The high pressure near the target plane also impedes particle flow resulting in lower particle impact velocities, reducing the performance of the device.

Thus, there is a need for a needleless syringe having the improved operation of WO 01/05455 but which is quieter in operation, the silencing not affecting the performance of the device in delivering particles. The teaching of the present invention may be advantageously applied to other types of needleless syringes as well.

Accordingly, the present invention provides a needleless syringe device comprising:

- an energy source;
  - at least one bleed-hole, said bleed-hole(s) having an effective bleed-hole area for the passage therethrough of pressurised gas from the energy source to a driver chamber to entrain particles and accelerate them into a target; and
  - a silencer for receiving said gas from said driver chamber and for venting that gas to the surroundings of the silencer through at least one silencer vent opening, said vent opening(s) having an effective venting area;
- wherein said effective bleed-hole area and said effective venting area are such

-3-

that, during use of the device for particle delivery, the mass flow rate of gas through said effective venting area is substantially equal to or greater than the mass flow rate of gas through said effective bleed-hole area.

The fact that the mass flow rate of gas through the venting area is equal to or  
 5 greater than the mass flow rate of gas through the bleed-hole area ensures that as much or more gas leaves the device during operation as is provided by the energy source. This ensures that the pressure inside the silencing shroud of the device does not increase as the device is operated and thus serves to limit a deleterious build up in back pressure which can result in the device lifting off from the target plane.

10 Preferably, the venting area and bleed-hole areas are sized to ensure that the mass flow rate through the venting area is greater than the mass flow rate through the bleed-hole area during use such that, after the initial expansion of gas from the driver chamber to the shroud, the pressure actually reduces inside the shroud during use. Preferably, the venting area is small enough to provide adequate silencing and large  
 15 enough to ensure that pressure does not build up in the device during use.

Preferably, the energy source is a reservoir of pressurised gas, such as helium or nitrogen.

To ensure that the mass flow rate of gas through the venting area is greater than the mass flow rate of gas through the bleed-hole area, the ratio of venting area to  
 20 bleed-hole area should be equal to or greater than a constant, k, given by the following expression:

$$k = \left( \frac{(\gamma_1/R_1)(1 - \frac{\gamma_1 - 1}{2})^{\gamma_1 - \frac{1}{2}}}{(\gamma_2/R_2)(1 - \frac{\gamma_2 - 1}{2})^{\gamma_2 - \frac{1}{2}}} \right) \frac{P_0}{P_S}$$

wherein  $\gamma_1$  is the ratio of specific heats for the gas in the reservoir,  $R_1$  is the gas constant for the gas in the energy source (reservoir),  $\gamma_2$  is the ratio of specific  
 25 heats for the gas in the surroundings,  $R_2$  is the gas constant for the gas in the surroundings,  $P_0$  is the pressure in the energy source after gas has been received by

-4-

said silencer and  $P_g$  is the pressure in the silencer after gas has been received by said silencer.

More preferably, the ratio of venting area to bleed-hole area should be greater than or equal to 1.2k to ensure a sufficient decay of pressure within the silencer. To  
5 ensure adequate silencing, the ratio of venting area to bleed-hole area should preferably be less than 20k, more preferably less than 10k, still more preferably less than 5k.

In a preferred embodiment, the silencer comprises a shroud having a predetermined volume for containing the gas received from the driver chamber prior  
10 to venting it.

The volume of the shroud, the volume of the driver chamber and the size of the exit opening should preferably be chosen such that when the closure is opened and gas flows from the driver chamber to the shroud, the resulting equalisation in pressure results in a lift-off force on the device of less than 20N, more preferably less  
15 than 15N.

In this specification the term 'closure' includes both 'closure means' and 'closure member'.

Preferably, the particles are delivered through a particle exit opening in the shroud which is pressed against the target during use.

20 Preferably, said at least one silencer vent opening is formed by at least one hole provided in the shroud and this at least one hole is preferably located in the upstream end of the device so that the gas must travel substantially the length of the device before it can be vented through said at least one hole.

To provide further passages for the gas, a cover may be attached to the device  
25 to create an annular channel for the passage of gas from the shroud to the surroundings. This annular channel may comprise a plurality of baffles which interact with the gas flow vented out of the shroud and attenuate any shockwaves in the gas flow. Alternatively or additionally, baffles or the like may be included inside the shroud volume itself.

30 Preferably, the particle-containing gas which flows from the driver chamber

-5-

is expanded by a nozzle connected to the driver chamber and this nozzle is preferably substantially correctly expanded, although it need not be to obtain adequate performance.

To further limit the lift-off force experienced during use of the device, the particle exit opening in the shroud should be preferably no more than 100% larger than the exit area of the nozzle. The particle exit opening should also be axially spaced from the nozzle exit so that a path for the venting of gas is provided.

The present invention also provides a method of silencing a particle-accelerating gas flow, the method comprising:

- 10 (a) supplying pressurised gas through a bleed-hole at a first mass flow rate;
- (b) accelerating particles with said pressurised gas so supplied such that said particles will achieve a velocity sufficient to penetrate into a target;
- 15 (c) receiving said gas in a silencer and venting said received gas to the surroundings through at least one silencer vent opening at a second mass flow rate;

wherein said second mass flow rate is substantially equal to or greater than said first mass flow rate.

20 The present invention furthermore provides a needleless syringe device comprising:

- an energy source;
- at least one bleed-hole, said bleed-hole(s) having an effective bleed-hole area for the passage therethrough of pressurised gas from the energy source to a driver
- 25 chamber;
- a first closure located at a downstream end of said driver chamber;
- a second closure located downstream of said first closure to create a particle retention chamber therebetween; and
- at least one transfer duct providing a gas flow path between said driver
- 30 chamber and said particle retention chamber;

-6-

wherein said effective bleed-hole area and the minimum area of said transfer duct(s) are selected such that, in use, said first closure opens before said second closure and said second closure opens at least 2 ms after gas starts to flow through said transfer duct(s).

5 Correct selection of the bleed-hole size and transfer duct size allows the correct sequence of closure opening to be effected in use, avoiding problems associated with the downstream closure opening first or with both closures opening before the particles have properly mixed with the gas provided by the transfer duct(s). More preferably, particle mixing times of at least 3.5 ms or 5 ms are  
10 provided. In a preferred embodiment, the first and second closure are rupturable membranes which open by rupturing.

There is also provided a method of uniformly accelerating particles in a gas flow, the method comprising:

- (a) supplying pressurised gas to a driver chamber;
- 15 (b) supplying some of said pressurised gas in said driver chamber to a particle retention chamber downstream of said driver chamber to thereby fluidize said particles;
- (c) opening an upstream closure of said particle retention chamber;
- (d) opening a downstream closure of said particle retention  
20 chamber;

wherein said downstream closure opens at least 2 ms after said supplying step (b) starts.

There is furthermore provided a particle retention assembly comprising:  
a particle retention chamber bounded by an upstream closure and a  
25 downstream closure;

at least one duct providing a gas flow path into said chamber;

wherein said duct is constructed to supply gas to said particle retention chamber from a substantially annular space around said particle retention chamber.

The annular space around the particle retention chamber allows, in a simple  
30 and convenient manner, one or more transfer ducts to be supplied with gas. The

-7-

annular space means that the transfer ducts can be located virtually anywhere on the inside surface of the particle retention chamber. The annular space used to supply the gas is also a particularly convenient shape from the point of view of manufacturing and it will be seen that a particle retention assembly according to this aspect of the invention can be manufactured from only three separate cassette parts and three membranes.

There is furthermore provided a particle retention assembly comprising:  
a particle retention chamber bounded by an upstream closure and a downstream closure;  
10 a first duct providing a first gas flow path into said chamber;  
wherein said first duct is arranged, in use, to create a first swirl of gas in said particle retention chamber.

The swirl of gas in the particle retention chamber is particularly efficient in fluidizing the particles so that they form a "cloud" which substantially spans the particle retention chamber, resulting in a more uniform particle distribution and velocity and, hence, penetration profile.

Preferably, there are at least two ducts which, in use, create at least two swirls of gas in the particle retention chamber, these swirls of gas being preferably directed in substantially different directions. The swirls of gas may advantageously be  
20 created by jets emanating from the transfer ducts, these jets being at least momentarily sonic or supersonic during use. To aid particle fluidization, the ducts can be off-set from one another in the direction of gas flow, and circumferentially.

The annular space around the particle retention chamber is preferably connected to a region upstream of the upstream closure by means of a series of  
25 circumferential ports.

A further closure provided to ensure the sterility of particle retention assembly may be provided.

There is also provided a method of fluidizing particles in a particle retention chamber, the method comprising:  
30 supplying pressurised gas to an annular space around said particle retention

-8-

chamber;

supplying said gas to said chamber using at least one transfer duct so as to fluidize any particles located in said particle retention chamber.

There is furthermore provided a method of fluidizing particles in a particle retention chamber, the method comprising:

supplying pressurised gas to a first duct fluidly connected to said particle retention chamber;

creating a first swirl of gas in said particle retention chamber so as to fluidize any particles located in said particle retention chamber.

10

Embodiments of the invention will now be further described, by way of example only, with reference to the accompanying schematic drawings, in which:-

Figure 1 is an axi-symmetric cross-sectional view of a needleless syringe device having a silencer according to the present invention;

Figure 2 is a first side cross-sectional view of a practical embodiment of the present invention;

Figure 3 is a second side cross-sectional view of the Figure 2 embodiment of the present invention, viewed along the line X-X in Figure 2;

Figure 4 is a graph of pressure in the shroud versus time for three different bleed-hole sizes;

Figure 5 is a cross-sectional view of part of a needleless syringe showing a transfer duct linking the driver chamber and particle retention chamber;

Figure 6 is a graph showing pressure in the driver chamber and particle retention chamber for the case when the bleed-hole is too small;

Figure 7 is a graph showing pressure in the driver chamber and particle retention chamber for the case when the bleed-hole is too large;

Figure 8 is a graph showing pressure in the driver chamber and particle retention chamber for the case when the bleed-hole is correctly sized;

Figure 9 is a drawing of a particle retention assembly (also referred to as a particle cassette) according to the present invention;

30

-9-

Figures 10a to 10d are drawings showing stages in the flow of gas around the particle retention assembly during which particles are fluidized and entrained in a gas flow;

Figure 11 is a cross-sectional view of a second cassette part, the second  
5 cassette part being a part of the particle retention assembly of the present invention;

Figure 12 is a cross-sectional view of a first cassette part, the first cassette part being part of the particle retention assembly of the present invention;

Figure 13 is a cross-sectional view along the line A-A shown in Figure 12;

Figure 14 is a cross-sectional view of a third cassette part, the third cassette  
10 part being part of the particle retention assembly of the present invention;

Figure 15 is a cross-sectional view of an assembled particle retention assembly according to the present invention;

Figure 16 shows two partially cut away perspective views of an embodiment of the particle retention assembly according to the present invention;

Figure 17 shows the result of a computational fluid dynamic calculation  
15 showing the velocity of gas inside the particle retention chamber during use; and

Figure 18 is a close up view of the velocity distribution of gas in a plane bisecting a transfer duct and being perpendicular to the longitudinal direction of the particle retention assembly.

20

Figure 1 of the accompanying drawings schematically illustrates the silencing concept of the present invention. The needleless syringe components comprising the reservoir (1), the bleed-hole (2), the driver chamber (3), the closure (4) and the nozzle (8) can be constructed and arranged substantially as is disclosed in WO 01/05455, the  
25 disclosure of which is incorporated herein by reference.

In Figure 1, an energy source is represented by a reservoir (1) initially filled with pressurized gas, such as helium. The reservoir is connected to a driver chamber (3) by a bleed-hole (2) and a valve (not shown). Upon opening of the valve, gas flows from the reservoir (1) to the driver chamber (3) via the bleed-hole (2) because  
30 the gas pressure in the reservoir (1) is initially higher than the gas pressure in the

-10-

driver chamber (3). The driver chamber may initially contain air because this is the most convenient gas, although it can be made initially to contain other gases, e.g. helium. A closure (4) defines the downstream end of the driver chamber (3) and serves initially to create a build-up of gas behind it. In Figure 1, the closure is  
5 represented as a particle cassette of the type disclosed in WO 94/24263 in which particles (5) are sandwiched between two rupturable membranes (6, 7). The cassette may however take other forms, for example it may be a membraneless cassette.

Figure 1 also shows a silencer shroud (9) encapsulating the syringe and having an exit opening (10) for the passage therethrough, to a target (not shown), of  
10 particles and also having a plurality of openings (11) for the venting of gas to atmosphere.

Upon actuation of the valve, gas flows from the reservoir (1) into the driver chamber (3) where it is contained by the closure (4). Gas continues to flow from the reservoir (1) to the driver chamber (3) until a certain predetermined pressure is  
15 established in the driver chamber (3), this pressure being the pressure required to open the closure (4). In the illustrated embodiment, this pressure corresponds to the pressure at which the diaphragms (6, 7) rupture. Upon rupturing of the diaphragms (or, more generally, upon opening of the closure) a pressure discontinuity is created in the device such that a shockwave travels downstream towards a nozzle (8). The  
20 shockwave is a front delimiting gas at a high pressure from the gas at atmospheric pressure initially in the nozzle. The shockwave travels down the nozzle and impacts the target plane adjacent the exit opening (10), at which point it is reflected so that a portion of it travels in the annular space internally of the silencing shroud (9) and externally of the nozzle (8). At the same time, the gas which flows from the driver  
25 chamber behind the shockwave entrains the particles (5) such that they pass along the nozzle and through the exit opening (10) to impact the target plane at a velocity sufficient to penetrate it.

The silencer shroud (9) is configured to encapsulate a predetermined volume of gas  $V_s$ . This volume is defined as all of the volume inside the silencer shroud,  
30 including that of the driver chamber and the nozzle. Once the shockwave has passed

-11-

out of the silencer shroud through the plurality of holes (11) included in the shroud, the gas in initially in the driver chamber has expanded into the silencer shroud and the resulting pressure inside the silencer shroud becomes generally constant and is given by the following equation:

$$5 \quad P_S = \frac{(P_D - P_{S0}) \cdot V_D}{V_S} + P_{S0}$$

where  $P_S$  is the pressure in the silencer shroud after pressure equalisation,  $P_D$  is the pressure in the driver chamber just prior to opening of the closure (4),  $P_{S0}$  is the pressure in the silencer initially,  $V_D$  is the volume of the driver chamber (ie that volume between the bleed-hole (2) and the closure (4)) and  $V_S$  is the volume of the shroud (which incorporates the volume of the driver chamber and the nozzle). If the mass flow rate through the venting area is larger than that through the bleed hole, this pressure then decays with time as gas is vented from the silencer.

The above equation assumes an isothermal expansion in which the temperature of the gas before expanding is the same as after expanding. Thus, in the usual case where the silencer shroud is initially at atmospheric pressure ( $P_{S0} = 100$  kPa) and for a typical driver chamber volume  $V_D$  of 4.5 ml, silencer shroud volume  $V_S$  of 50 ml and driver pressure  $P_D$  of 1570 kPa, the pressure  $P_S$  in the silencer shroud would settle down to around 232 kPa once the shockwave has passed. It is this pressure which determines the initial lift-off force that a user experiences upon activating the device. In particular, the lift-off force is equal to the pressure ( $P_S - P_0$ ) multiplied by the area of the exit opening (10) (i.e. the area over which the differential pressure acts,  $P_0$  being the pressure in the surroundings, typically 100 kPa). A typical exit opening area is 100 mm<sup>2</sup> which results in a lift-off force of approximately 13.2 N.

25 Figure 4 illustrates the experimentally obtained effect of varying the size of

-12-

the bleed-hole in relation to the venting area of the silencer, other parameters such as exit plane area, shroud volume etc. remaining constant. In the experiment the venting area was kept constant and the size of the bleed hole was varied. The graph shows the pressure inside the shroud plotted against time.

5 In all cases, there is a large initial sudden increase in pressure as the shock wave passes through the device. The pressure decays very quickly to a value of about 260 kPa and then follows a decay curve that is determined by the relationship between bleed hole size and effective venting area. The references hereinafter to peak shroud pressure refer to the maximum shroud pressure attained in the decay  
10 curve, i.e. after the large initial pressure increase shown in Figure 4.

The line numbered "1" is the case where the effective venting area/ bleed hole ratio is too low. This results in an absolute peak shroud pressure of about 340 kPa after 7.5 ms which is large enough to cause an unacceptable lift-off force. A peak sound level of 102-108 dB at 300mm from the device was measured.

15 The line numbered "2" is the case where the effective venting area/ bleed hole ratio has been increased. This results in a peak shroud pressure of about 270 kPa after 4.25 ms. The measured peak sound level was increased to 106-110 dB at 300mm from the device.

The line numbered "3" is the case where the effective venting area/ bleed hole  
20 ratio is increased further. This results in a shroud pressure which has its peak as soon as the shock wave has passed and decays. A peak sound level of 115-118 dB at 300mm from the device was measured.

Thus, the ratio of curve "1" is unacceptable but that of curves "2" and "3" are acceptable since the pressure does not increase substantially as a result of higher  
25 mass flow rate through the bleed hole than through the effective venting area. Curve "2" is more desirable than curve "3" since the peak lift-off force is about the same as for curve "3" but the silencing effect is greater, there being a 8-9 dB difference in sound levels obtained.

It will be appreciated that one preferable way of reducing the lift-off force is  
30 to ensure that the volume of the silencer shroud ( $V_s$ ) is as large as possible so as to

-13-

reduce the value of  $P_s$  (see equation above). Another preferable way to reduce the lift-off force is to make the area of the exit opening (10) as small as possible so that the pressure  $P_s$  acts over a smaller area, creating a lower force.

The noise that is experienced upon actuation of the device is mainly due to the shockwave initiated from the sudden opening of closure (4) which is reflected from the target and exits the device through the venting area. It has been found that passing such a shockwave through a restriction, thereby breaking it down into compression waves, creates a lower level of audible sound. Thus, the effective silencer restriction presented to the shockwave (and subsequent flow) is an important device parameter. The effective silencer restriction is defined as the smallest area through which the shockwave travels on its way from the target plane to the surroundings. In Figure 1, three main restrictions are shown, either one of which, two of which, or even all of which (if all are of equal size), may represent the effective silencer restriction. The first restriction encountered by the reflected shockwave on its passage from the opening (10) to the surroundings (18) is that due to the member (14) which is provided in the annular space of the shroud (9). This member (14) comprises an annular ring of generally diamond-shaped cross-section which is suspended in the device by attachment to one or more of the wall of the shroud (9) and the wall of the driver chamber (3) via one or more radial arms (not shown). As can be seen from Figure 1, the presence of the member (14) causes a restriction in the path of the shockwave so that the shockwave is forced to pass through two concentric generally annular passages labelled (16) and (17) in Figure 1. The sum of the area of these two passages is equal to the area through which the shockwave is confined to travel. This is the first restriction.

The second restriction is presented by the plurality of holes (11) formed in the outer wall of the shroud (9), the sum of the areas of each of the holes is equal to the area that the shockwave must pass through.

The third restriction is created by the cover member (15) placed around the shroud (9) and the series of baffles (12, 13) on the outer surface of the shroud (they may equally be provided on the inner surface of the cover member (15)). The

-14-

annular passage created between the cover member and the shroud has an area through which the shockwave must pass. The third restriction is the part of this annular passage presenting the smallest area to the shockwave.

The smallest of the first, second and third areas described above will be equal to the effective venting area of the silencer and will determine the maximum mass flow rate that can pass through the silencer and into the surroundings. The smaller this area, the smaller the mass flow rate of gas that can pass into the surroundings but also the more noise attenuation occurs through the breakdown of the primary shock. In the limit of a restriction have an area of zero mm<sup>2</sup> (i.e. the shroud is completely closed), no gas can pass into the surroundings and the device should in theory be silent at a result.

Since the effective venting area affects the mass flow rate that can pass into the surroundings, there is a relationship between this area and the pressure that builds up in the shroud (9) during use. In particular, if the maximum mass flow rate that can pass out of the silencer (comprising the shroud (9), the holes (11), the baffles (12, 13) and the member (14)) is less than the mass flow rate being supplied by the reservoir (1) through the bleed-hole (2) then it will be seen that pressure builds up in the device once the shockwave has passed, serving to increase the lift-off force, which is undesirable. Thus, in accordance with the present invention, the effective venting area of the silencer should be such that the mass flow rate out of the silencer is equal to or greater than the mass flow rate of gas through the bleed-hole (2) once the closure has opened and the shockwave has passed out of the device. To achieve this condition with the schematically shown device (i.e. one in which the energy source is a reservoir of pressurised gas), the following equation gives the relative size of the bleed-hole area and venting area:

$$\frac{\text{venting area}}{\text{bleed - hole area}} > \left( \frac{(\gamma_1/R_1)(1 - \frac{\gamma_1 - 1}{2})^{\gamma_1 - \frac{1}{2}}}{(\gamma_2/R_2)(1 - \frac{\gamma_2 - 1}{2})^{\gamma_2 - \frac{1}{2}}} \right) \frac{P_0}{P_s}$$

-15-

wherein  $\gamma_1$  is the ratio of specific heats for the gas in the reservoir (1),  $R_1$  is the gas constant for the gas in the reservoir (1),  $\gamma_2$  is the ratio of specific heats for the gas in the surroundings (18),  $R_2$  is the gas constant for the gas in the surroundings (18),  $P_0$  is the pressure in the energy source (1) after gas has been received by said silencer (9) and  $P_s$  is the pressure in the silencer (9) after gas has been received by said silencer (9).

Since it is beneficial to have as small an effective venting area as is possible (to maximise the silencing effect), it is necessary to have a small bleed-hole (2) to ensure that the mass flow rate through the bleed-hole does not exceed the mass flow rate through the silencer. There is a limit, however, to the smallest size that the bleed-hole can be since the bleed-hole must be large enough to allow the efficient transfer of gas from the reservoir (1) to the driver chamber (3) upon actuation. The flow of gas through a restriction such as a bleed-hole creates a loss in energy due to friction meaning that higher initial pressures are required in the reservoir (1) in order to achieve a pressure sufficient to open the closure (4) in the driver chamber (3) if very small bleed-holes are used. Furthermore, a sufficient driver chamber filling rate is required to ensure a repeatable rupture of the membrane, or more generally, a repeatable opening of the closure. If the filling rate is very low, it has been found that the variation in rupture pressure for the same specification membranes is wider than if a higher filling rate is used.

It can be seen therefore that the provision of a bleed-hole along with a silencer having a predetermined effective venting area ensures a useful silencing effect without unduly increasing the pressure inside the device during the operation, thereby avoiding an increased lift-off force which is deleterious to device performance and ease of use. In addition, the subsidiary features of the invention (such as the large silencer volume and small particle exit opening) further reduce the problem of lift-off force without affecting the silencing that can be achieved or the device performance.

The silencing achieved can be such that the use of porous media as was envisaged in WO 94/24263 is not required, thereby reducing the device cost.

-16-

Nevertheless it may be employed as an alternative or additional restriction method to reduce the noise further.

Figures 2 and 3 show cross-sections of a practical embodiment of the present invention. The same components as are shown in Figure 1 are given the same  
5 reference numerals. The particles (5) are not shown for clarity, but would (as in Figure 1) be present in the closure between the rupturable membranes (6, 7)

The gas reservoir (1) has a frangible tip (21) which can be cracked off by application of the button (19). Upon pressing the button gas flows out of the reservoir (1) and into the annular space (20) surrounding the reservoir (1) (see  
10 Figures 2 and 3). The gas is then directed into the driver chamber (3) which terminates in the closure (4) (see Figure 2 especially).

The plurality of holes (11) in Figure 1 are replaced by a single hole in this embodiment and the generally diamond-shaped member (14) of Figure 1 is replaced by a series of area restrictions in the silencer shroud (9) which are not necessarily  
15 diamond shaped. The bleed hole is formed by the smallest area that the gas flows through on its way from the reservoir (1) to the driver chamber (3). In this embodiment, this is formed by the annular space (20) surrounding the gas reservoir (1).

Further, the invention is applicable to the case where "transfer ducts" as  
20 disclosed in Figures 12a to 12c and 13a to 13c of WO 01/05455 are used to pre-mix (or fluidize) the particles in the particle retention chamber (particle cassette). In this case, there is a further requirement on the size of bleed hole used.

Figure 5 shows a schematic representation of part of the needleless syringe device as far as the downstream membrane 7. The pressure in the reservoir 1 at any  
25 time is referred to as  $P_1$ , the pressure in the driver chamber is referred to as  $P_3$  and the pressure in the particle cassette (between the membranes) is referred to as  $P_4$ .

To achieve good particle mixing, a gas jet should enter the cassette before either membrane ruptures to thereby mix the particles so they span the entire volume of the cassette. Then, the membranes should burst in sequence with the upstream  
30 membrane (6) bursting before the downstream membrane (7). If the downstream

-17-

membrane (7) bursts first then there is a chance the upstream membrane (6) may never burst, with the gas flow being driven by flow from the reservoir to the driver chamber and through the transfer duct (80).

This example is shown in Figure 6 which is a plot of  $P_3$ ,  $P_4$  and  $(P_3 - P_4)$  with time. This situation typically results when the bleed hole is too small compared to the area of the transfer duct so that gas pressure in the cassette increases too quickly resulting in the downstream membrane (7) bursting first. The rupture pressure of each membrane is 1.45 MPa and the initial reservoir pressure  $P_1$  is 6 MPa. In Figure 6, it can be seen that the pressure  $P_4$  reaches the bursting pressure of 1.45 MPa before the pressure  $(P_3 - P_4)$  which is the pressure across the upstream membrane.

Figure 7 shows another situation which occurs when the bleed hole is too large in comparison with the transfer duct area. In this case, the pressure  $P_3$  increases rapidly and the pressure  $P_4$  increases relatively slowly. This results in a rapid successive opening of both membranes in the correct sequence, but with very little particle mixing time (only about 1.65 ms in Figure 7). This results in limited particle pre-mixing.

Figure 8 shows an example where the bleed hole and transfer ports are chosen to have a suitable size. Both membranes rupture in sequence with a mixing time of about 5.5 ms which is adequate to achieve good pre-mixing.

The actual values for the bleed hole and transfer duct sizes depend on the reservoir, driver and cassette volumes, but, once these parameters are selected, the skilled person is able to determine by appropriate simple experiment the correct bleed hole and transfer duct sizes to achieve the results described herein.

The embodiments described have used particle cassettes in which the particles are initially located between two rupturable membranes. However, other mechanisms for locating the particles may be used, not necessarily requiring membranes, for example fast-opening valves. In this regard, reference is made to WO 99/01169 for examples of non-membrane cassettes.

An embodiment of particle cassette ("particle retention assembly") designed to provide pre-mixing and fluidization of the particles, prior to acceleration of the

-18-

particles will now be described, with reference to Figures 9 to 18.

Figure 9 schematically illustrates a particle retention assembly (60) according to the present invention. The particles (70) are located inside a chamber (71) designed to receive, contain and confine the particles. The inside walls (72) of the chamber (71) are generally cylindrical and in this example there are provided two openings (43) leading to an annular space (67) around the particle retention chamber (71). The particle retention chamber (71) is bounded longitudinally (i.e. at its upstream and downstream ends) by a membrane. The upstream membrane (62) and downstream membrane (63) are designed to rupture when a differential pressure of a certain magnitude is applied across them. The particle retention assembly (60) is sealed at its upstream end by a further rupturable membrane (61). The annular space (67) is fluidly connected to the region upstream of the upstream rupturable membrane (62) by circumferential ports (54). The region (73) upstream of the membrane (62) is also generally cylindrical in configuration and has a diameter substantially equal to the diameter of the particle retention chamber (71).

Figures 10a to 10b illustrate the working of the particle retention assembly. In use, the particle retention assembly (60) is used as a particle cassette (4) for the needleless syringe shown in Figure 1. Thus, the membrane (61) is presented with the gas pressure from the driver chamber 3 and the downstream membrane (63) prevents the particles (70) (referenced (5) in Figure 1) from falling out of the nozzle, through the exit plane (10) and out of the device.

On actuation, gas is allowed to flow through the bleed-hole (2) from the reservoir (1) so that the pressure in the driver chamber (5) increases. When the pressure in the driver chamber (3) increases to a magnitude larger than the pressure in the chamber (73) by a predetermined amount, the membrane (61) ruptures. For most applications it is envisaged that the initial pressure in the chamber (73) (and thus in the chamber (71)) will be atmospheric pressure (approximately 100 kPa). When the membrane (61) ruptures (e.g. at a differential pressure of 600 kPa), that is to say a pressure downstream of the membrane (61) of 100 kPa and a pressure upstream of the membrane (61) of 700 kPa, gas flows into the chamber (73) and impinges on the

-19-

membrane (62) (see Figure 10a). The membrane (62) is designed to rupture at a higher differential pressure (e.g. 1.45 MPa) than the membrane (61). Thus, gas continues to flow through the bleed-hole (2) and the pressure in chamber (73) increases. Gas flows through the vent holes (54) and into the annular space (67) surrounding the particle retention chamber (71). From there, the gas flows through the openings (43) and into the chamber (71) (see Figure 10b). The openings (43) are shaped and directed such that the gas forms jets, preferably sonic or supersonic jets which create gas swirls (Vortices) inside the particle retention chamber (71). These gas flows entrain the particles (70) and cause them to become fluidized in the gas such that the particles no longer are clumped together but span the whole volume of the particle retention chamber (71). The pressure in the driver chamber continues to increase until the upstream membrane (62) ruptures. The result of this is shown in Figure 10c. As can be seen, the particles are well fluidized in the cassette due to the pre-mixing provided by the gas jets shown in Figure 10b.

15           Since the volume of particle retention chamber (71) is generally fairly small, it does not take long before the pressure upstream of membrane (63) is such as to cause bursting of that membrane, as shown in Figure 10d. From thenceforth, the flow previously described in which the particles are accelerated out of the particle retention assembly (60) and through the nozzle (8) into the target is established.

20           Since the particles are not lumped together (as shown in Figure 9) when the upstream membrane (62) ruptures, it has been found that a more even spread of particles and therefore a more homogenous particle distribution is obtained. Similarly, a more homogenous velocity distribution is also obtained. This results in the particles being evenly distributed across the target and penetrating to depths that are within the

25           defined tolerances.

          One preferred physical construction of the particle retention assembly (60) will now be described. It should be appreciated that this is a preferred construction only and that it may be modified in various ways to achieve the desired result. For example, it is not necessary that there are two transfer ducts (46) leading to two

30           openings (43) and satisfactory operation has been obtained when there is only one

-20-

opening (43). Furthermore, the openings (43) are not limited to being adjacent the membrane (62) or (63) and can in general be located anywhere along the inside wall (72) of the particle retention chamber (71). Moreover, the cylindrical inside walls and circumferential ports are merely preferred and any shape that achieves the  
5 function may be used.

Figures 11 and 12 show in cross-sectional view second and first cassette parts respectively. The second cassette part (30) of Figure 11 is generally cylindrical in configuration having substantially vertical inside walls (33) and (34). The inside wall (33) has a slightly smaller diameter than inside wall (34) for reasons that will  
10 become apparent later. A shoulder portion (31) is provided adjacent a seating face (32). The shoulder portion (31) is designed to interact with the external surface of the first cassette part (40), described hereafter. A recess (35) is provided at the top end of the second cassette part (30) and this recess (35) aids in assembling the cassette.

Figure 12 shows a first cassette part (40) according to the present invention. The first cassette part (40) comprises a substantially annular member defining within its confines a receptacle (or chamber) for receiving particles. The first cassette part (40) has generally cylindrical outer walls (42) and a slightly tapered seating face (41) at its bottom end. The seating face (41) is intended to rest against the seating face  
20 (32) of the second cassette part (30) during use. Furthermore, the shoulder (31) of the second cassette part (30) is intended to abut the outer surface (42) of the first cassette part to provide an interference fit. This configuration is shown in Figure 15.

Referring back to Figures 12 and 13, there are openings (43) on the inner surface of the first cassette part (40) and openings (44) on the outer surface of the  
25 first cassette part (40). These openings are connected by transfer ducts (46) such that gas surrounding the first cassette part (40) may enter the receptacle for receiving particles. The transfer ducts (46) are substantially conical in shape converging inwardly. They are angled in three dimensions such that when gas flows therethrough a preferably sonic or supersonic jet is formed which tends to create a  
30 swirling gas movement inside the chamber confining the particles. The transfer ducts

-21-

(46) are angled such that the gas tends to impinge against the membranes (62,63) located at either side of the first cassette part (40). Furthermore, the openings (43) are provided at different longitudinal ends of the first cassette part (40) and are directed in different directions such that a clockwise gas flow is established at one end of the particle confinement chamber and an anti-clockwise gas flow is established at the other end of the particle confinement chamber. This is illustrated in Figure 16 wherein the gas flows are referenced (65) and (66). As is clear from Figure 13, the transfer ducts (46) are provided on the same lateral side of the first cassette part (i.e. above the centre line shown in Figure 13), and this has been found to provide for good fluidization of the particles when gas pressure is introduced to the openings (44) and a flow of gas is established through the transfer ducts (46). However, other configurations of transfer duct in the side walls of the first particle cassette part (40) can provide good results and it is not generally essential for the present invention that the transfer ducts (46) have the specific form shown in Figures 12 and 13.

Figures 12 and 13 show an advantageous configuration of transfer ducts (46) wherein the ducts are offset from one another both in the direction of gas flow and also circumferentially. The longitudinal (i.e. in the direction of gas flow) offset is shown in Figure 12 as being substantially equal to the longitudinal length of the particle retention chamber although this is not essential and a lesser degree of off-set may be used. The transfer ducts are also angled to direct gas outwardly against the membranes (62,63). The interaction of the jets emitted by the openings (43) with the membranes and the resulting swirls of gas have been found to cause effective particle mixing.

As is clear from Figure 13, the transfer ducts (46) are angled so as to create swirls of gas which rotate in opposite directions. The right-hand transfer duct (46) of Figure 13 is adapted to create a substantially clockwise swirl of gas in the particle retention chamber and the left-hand transfer duct (46) of Figure 13 is adapted to create a substantially anti-clockwise swirl of gas in the particle retention chamber (71). In Figure 13, the openings (43) are circumferentially offset by an angle of

-22-

about 120° and it is preferable that any circumferential offset falls in the range of from 90° to 180° inclusive. Other circumferential off-sets may be used, however.

Figure 14 shows a third particle cassette part in accordance with the present invention.

5           The third cassette part (50), in common with the first and second cassette parts, has generally cylindrical inner and outer walls forming an annular-shaped member. One or more protrusions (51) may be formed on the outer walls and these are intended to provide an interference fit against the inner wall (34) of the second cassette part (30), when the particle cassette is assembled. The lower end of the third  
10 cassette part (50) has a number of formations (52) around the circumference. The formations (52) are stepped and are designed such that the top part (53) of the formations (52) abuts the top surface of the first cassette part (40) when assembled, as shown in Figure 15. The formations are spaced apart by vent holes (54) that are formed such that gas may pass through the vent holes (54) when the first and third  
15 cassette parts are attached together. The formations (52) are shaped so as to grip, by means of friction, or interference, the top part of the first cassette part (40).

The particle cassette takes the form shown in Figure 15 when assembled. In this embodiment the membrane (61) is relatively thin with a fairly low bursting pressure and is designed to keep the unit sterile in use. If it were not for this there is  
20 a chance that particles could travel through the openings (43), into the annular space (67), through the vents (54) and out through the upstream end of the particle retention assembly.

To assemble the particle cassette, a first membrane (62) is heat sealed or bonded to the upper edge of the first cassette part (40). Similarly, the second  
25 membrane (63) is heat sealed or bonded to the seating face (32) of the second cassette part (30). The third membrane (61) is heat sealed or bonded to the upper face of the third cassette part (50). The first membrane and first cassette part thus define a receptacle in which the particles may be contained. The openings (43) are very small such that it is very difficult for the particles to pass out of the chamber  
30 once inside. Once the particles have been supplied to the chamber of the first

-23-

cassette part (40), the first cassette part (40) is brought together with the second cassette part (30) with the leading edge of the first cassette part engaging the shoulders (31) of the second cassette part. The first cassette part (40) is pushed in until the seating face (41) of the first cassette part abuts the seating face (32) of the second cassette part (with the second membrane (63) between the two seating faces).  
5 In this configuration, the particles are trapped between the first and second membranes. The third cassette part (50) having the third membrane (61) thereon is then pushed in so that the formations (52) slide into the annular gap created between the first and second cassette parts. Interference and/or friction ensure that this  
10 movement firmly secures the first and second parts together and effectively "locks" the cassette. It will be appreciated that it is quite difficult to remove the third cassette part once it is installed, especially if the top face (55) of the third cassette part is dimensioned so as to be flush with the top face of the second cassette part when assembled (this is not shown in Figure 15 however).

15 The membrane (61) ensures that the particles inside the cassette may not come into contact with any external particles or gases and thus the membrane (61) ensures the sterility of the cassette.

In use, the cassette is inserted into a needleless syringe such as that shown in Figures 2 and 3 and gas pressure is supplied to the third membrane (61). The  
20 membrane (61) bursts quite easily and gas enters the internal space (73) defined by the third cassette part. Gas is able to flow through the vents (54) and into the annular space (67) between the first cassette part and the second cassette part. From there, gas may pass through the transfer ducts (46) and out through the openings (43) into the particle containment chamber. The jets of gas so formed cause the particles to be  
25 fluidized and mixed.

Figure 16 shows the swirls (65,66) of gas that are set up within the particle retention chamber (71) in use (the membranes are not shown in Figure 16 for clarity).

Following such fluidizing, the upstream membrane (62) bursts and the particles are entrained in the bulk of the gas flow followed by the bursting of the  
30 downstream membrane (63) shortly thereafter.

-24-

Heat sealing or adhesive is not necessary to seal the membranes and the first and second membranes may be sealed against the first and second cassette parts respectively due to the tight fit between the various cassette parts. For example, the first membrane (62) may be sealed by virtue of being trapped between the first and third cassette parts. Similarly, the second membrane (63) may be trapped between the first and second cassette parts, with no special heat sealing or adhesive step being required.

Figures 17 and 18 show the result of a computational fluid dynamic analysis of the flow inside the particle retention assembly.

Figure 17 shows a model of the particle retention chamber (71) with the membranes at the top and bottom. The jet emitted by the openings (43) has a velocity in the region of 200 m/s. Since the jet is directed into the wall of the particle retention chamber (71), and the wall is substantially cylindrical, the flow is directed around the wall, creating a swirling motion. Some of the flow is also directed in a longitudinal direction towards the centre of the chamber. It can be seen that the two jets cause swirls to form in opposite directions and that the main downward flow from the top jet impinges downwardly on the bottom jet. Likewise, due to symmetry, the main upward flow arising from the bottom jet impinges centrally into the top jet. Thus, particles entrained by one jet are fed into the other, creating a circulating motion of particles in the chamber. This causes good fluidisation of particles.

Figure 18 shows the jet in more detail. The flow slows down as it hits the wall of the chamber and is deflected in three dimensions around the circumference and downwardly into the plane of the page. The velocity of the jet is approximately 150 m/s.

For each of the embodiments, the materials used to manufacture the cassette parts and the membranes may be conventional, for example, the membranes may be mylar as disclosed in WO 94/24263 and the first and second cassette parts are preferably manufactured from a plastics material, using injection moulding for example. Both the membranes and cassette parts may be made from polycarbonate

-25-

such as Evaxone 260 (EVA) polymer. If heat sealing is used, a temperature of 110°C and pressure of 760 kPa (110 psi) for 1.5 seconds has been found to be acceptable.

The cassette is suitable for any type of particle, including powdered drugs and  
5 carrier particles coated in genetic material.

-26-

CLAIMS

1. A needleless syringe device comprising:  
 an energy source;
- 5 at least one bleed-hole, said bleed-hole(s) having an effective bleed-hole area for the passage therethrough of pressurised gas from the energy source to a driver chamber to entrain particles and accelerate them into a target; and
- a silencer for receiving said gas from said driver chamber and for venting that gas to the surroundings of the silencer through at least one silencer vent opening, said
- 10 vent opening(s) having an effective venting area;
- wherein said effective bleed-hole area and said effective venting area are such that, during use of the device for particle delivery, the mass flow rate of gas through said effective venting area is substantially equal to or greater than the mass flow rate of gas through said effective bleed-hole area.
- 15
2. A needleless syringe device according to claim 1, wherein said energy source is a reservoir of pressurised gas.
3. A needleless syringe device according to claim 2, wherein said effective
- 20 bleed-hole area and said effective venting area are such that:

$$\left( \frac{(\gamma_1/R_1)(1 - \frac{\gamma_1 - 1}{2})^{\gamma_1 - \frac{1}{2}}}{(\gamma_2/R_2)(1 - \frac{\gamma_2 - 1}{2})^{\gamma_2 - \frac{1}{2}}} \right) \frac{P_0}{P_S} \leq \frac{\text{venting area}}{\text{bleed - hole area}} \leq 10 \left( \frac{(\gamma_1/R_1)(1 - \frac{\gamma_1 - 1}{2})^{\gamma_1 - \frac{1}{2}}}{(\gamma_2/R_2)(1 - \frac{\gamma_2 - 1}{2})^{\gamma_2 - \frac{1}{2}}} \right) \frac{P_0}{P_S}$$

- wherein  $\gamma_1$  is the ratio of specific heats for the gas in the reservoir,  $R_1$  is the gas constant for the gas in the reservoir,  $\gamma_2$  is the ratio of specific heats for the gas in
- 25 the surroundings,  $R_2$  is the gas constant for the gas in the surroundings,  $P_0$  is the pressure in the energy source after gas has been received by said silencer and  $P_S$  is

-27-

the pressure in the silencer after gas has been received by said silencer.

4. A needleless syringe device according to claim 3, wherein said effective bleed-hole area and said effective venting area are such that:

5

$$1.2 \left( \frac{(\gamma_1/R_1)(1 - \frac{\gamma_1 - 1}{2})^{\gamma_1 - \frac{1}{2}}}{(\gamma_2/R_2)(1 - \frac{\gamma_2 - 1}{2})^{\gamma_2 - \frac{1}{2}}} \right) \frac{P_0}{P_S} \leq \frac{\text{venting area}}{\text{bleed - hole area}}$$

wherein  $\gamma_1$  is the ratio of specific heats for the gas in the reservoir,  $R_1$  is the gas constant for the gas in the reservoir,  $\gamma_2$  is the ratio of specific heats for the gas in the surroundings,  $R_2$  is the gas constant for the gas in the surroundings,  $P_0$  is the pressure in the energy source after gas has been received by said silencer and  $P_S$  is the pressure in the silencer after gas has been received by said silencer.

5. A needleless syringe device according to claim 3 or 4, wherein said effective bleed-hole area and said effective venting area are such that:

15

$$\frac{\text{venting area}}{\text{bleed - hole area}} \leq 5 \left( \frac{(\gamma_1/R_1)(1 - \frac{\gamma_1 - 1}{2})^{\gamma_1 - \frac{1}{2}}}{(\gamma_2/R_2)(1 - \frac{\gamma_2 - 1}{2})^{\gamma_2 - \frac{1}{2}}} \right) \frac{P_0}{P_S}$$

wherein  $\gamma_1$  is the ratio of specific heats for the gas in the reservoir,  $R_1$  is the gas constant for the gas in the reservoir,  $\gamma_2$  is the ratio of specific heats for the gas in the surroundings,  $R_2$  is the gas constant for the gas in the surroundings,  $P_0$  is the pressure in the energy source after gas has been received by said silencer and  $P_S$  is the pressure in the silencer after gas has been received by said silencer.

-28-

6. A needleless syringe device according to any one of claims 1 to 5, wherein said silencer comprises a shroud having a predetermined volume for containing said gas received from said driver chamber prior to venting it.
- 5 7. A needleless syringe device according to claim 6, wherein said shroud comprises an particle exit opening to be pressed against said target during use so that said particles may pass through said opening and into said target.
8. A needleless syringe device according to claim 7, wherein the silencer shroud  
10 and driver chamber each have a respective volume and said particle exit opening has an area such that the lift off force on the device during use is less than 20N.
9. A needleless syringe device according to claim 7, wherein the silencer shroud  
15 and driver chamber each have a respective volume and said particle exit opening has an area such that the lift off force on the device during use is less than 15N.
10. A needleless syringe device according to claim 6, wherein said shroud has a volume greater than that of said driver chamber by at least 5 times, more preferably 10 times or 20 times.  
20
11. A needleless syringe device according to any one of claims 6 to 10, wherein said shroud comprises elements which restrict the cross-sectional area of the shroud to attenuate shockwaves that pass along said shroud.
- 25 12. A needleless syringe device according to any one of claims 6 to 11, wherein said shroud is provided with at least one hole forming said at least one silencer vent opening.
13. A needleless syringe device according to claim 12, wherein said at least one  
30 hole is/are located substantially in the upstream end of the device.

-29-

14. A needleless syringe device according to any one of claims 6 to 13, further comprising a cover to create an annular channel for the passage of gas from said shroud to the surroundings.
- 5 15. A needleless syringe device according to claim 14, further comprising a plurality of baffles in said annular channel to interact with the gas flow out of said shroud.
16. A needleless syringe device according to any one of claims 1 to 15, further  
10 comprising a resistive material to breakdown a shockwave travelling through said device.
17. A needleless syringe device according to any one of claims 1 to 16, further  
15 comprising a nozzle connected to said driver chamber for expanding the particle-containing gas which flows from said driver chamber.
18. A needleless syringe device according to claim 17 when dependent from  
claim 7 wherein said particle exit opening is no more than 100% larger than the exit  
area of said nozzle and said opening is axially spaced from said nozzle exit.  
20
19. A needleless syringe device according to any one of the preceding claims  
further comprising a first and second membrane at the downstream end of the driver  
chamber, said first and second membranes being spaced apart longitudinally so as to  
create a particle retention chamber.  
25
20. A needleless syringe device according to claim 19, further comprising a  
transfer duct for supplying pressurised gas from said driver chamber to said particle  
retention chamber.
- 30 21. A needleless syringe device according to claim 20, wherein said bleed-hole

-30-

area and the minimum area of said transfer duct are selected such that, in use, an upstream one of said membranes bursts before a downstream one of said membranes.

22. A needleless syringe device according to claim 21, wherein, in use, said  
5 downstream membrane bursts more than 2 ms after gas starts to flow through said transfer duct.

23. A method of silencing a particle-accelerating gas flow, the method comprising:

- 10 (a) supplying pressurised gas through a bleed-hole at a first mass flow rate;
- (b) accelerating particles with said pressurised gas so supplied such that said particles will achieve a velocity sufficient to penetrate into a target;
- 15 (c) receiving said gas in a silencer and venting said received gas to the surroundings through at least one silencer vent opening at a second mass flow rate;

wherein said second mass flow rate is substantially equal to or greater than said first mass flow rate.

20

24. A method according to claim 23, wherein said step (a) comprises supplying pressurised gas to a driver chamber so as to build up the gas pressure in said driver chamber.

25 25. A method according to claim 23 or 24, further comprising bursting a membrane so as to supply gas to a nozzle downstream of said driver chamber.

26. A method according to claim 25, wherein step (b) comprises entraining particles located adjacent said membrane in said pressurised gas and accelerating said  
30 particle-containing gas in said nozzle.

-31-

27. A method according to any one of claims 23 to 26, further comprising passing said gas received in said silencer past restrictions and/or baffles in said silencer to attenuate any shockwaves in the gas prior to venting that gas to the surroundings.
- 5 28. A needleless syringe device comprising:  
an energy source;  
at least one bleed-hole, said bleed-hole(s) having an effective bleed-hole area for the passage therethrough of pressurised gas from the energy source to a driver chamber;
- 10 a first closure located at a downstream end of said driver chamber;  
a second closure located downstream of said first closure to create a particle retention chamber therebetween; and  
at least one transfer duct providing a gas flow path between said driver chamber and said particle retention chamber;
- 15 wherein said effective bleed-hole area and the minimum area of said transfer duct(s) are selected such that, in use, said first closure opens before said second closure and said second closure opens at least 2 ms after gas starts to flow through said transfer duct(s).
- 20 29. A needleless syringe device according to claim 28, wherein said first and second closures are rupturable membranes which open by rupturing.
30. A needleless syringe device according to claim 28 or 29, wherein said second closure opens at least 3.5 ms after gas starts to flow through said transfer duct(s)
- 25 31. A needleless syringe device according to any one of claims 28 to 30, wherein said second closure opens at least 5 ms after gas starts to flow through said transfer duct(s)

-32-

32. A method of uniformly accelerating particles in a gas flow, the method comprising:
- (a) supplying pressurised gas to a driver chamber;
  - (b) supplying some of said pressurised gas in said driver chamber to a particle retention chamber downstream of said driver chamber to thereby fluidize said particles;
  - (c) opening an upstream closure of said particle retention chamber;
  - (d) opening a downstream closure of said particle retention chamber;
- 10 wherein said downstream closure opens at least 2 ms after said supplying step (b) starts.
33. A method according to claim 32, wherein said gas is supplied to said driver chamber in step (a) via a bleed-hole.
- 15
34. A method according to claim 32 or 33, wherein said pressurised gas is supplied to said particle retention chamber in step (b) via one or more transfer ducts.
35. A method according to claim 34, wherein said one or more transfer ducts are initially closed by a transfer duct closure which opens upon the supply of pressurised gas to said driver chamber.
- 20
36. A method according to any one of claims 32 to 35, wherein each closure is a rupturable membrane which opens by rupturing.
- 25
37. A method according to any one of claims 32 to 36, wherein said downstream closure opens at least 3.5 ms after said supplying step (b) starts.
38. A method according to any one of claims 32 to 36, wherein said downstream closure opens at least 5 ms after said supplying step (b) starts.
- 30

-33-

39. A particle retention assembly comprising:  
a particle retention chamber bounded by an upstream closure and a downstream closure;  
at least one duct providing a gas flow path into said chamber;  
5 wherein said duct is constructed to supply gas to said particle retention chamber from a substantially annular space around said particle retention chamber.
40. A particle retention assembly comprising:  
a particle retention chamber bounded by an upstream closure and a  
10 downstream closure;  
a first duct providing a first gas flow path into said chamber;  
wherein said first duct is arranged, in use, to create a first swirl of gas in said particle retention chamber.
- 15 41. A particle retention assembly according to claim 40, further comprising a second duct providing a second gas flow path into said chamber, said second duct being arranged, in use, to create a second swirl of gas in said particle retention chamber.
- 20 42. A particle retention assembly according to claim 41, wherein said first and second ducts are arranged to direct said first and second swirls in substantially different directions.
43. A particle retention assembly according to claim 42, wherein said swirls are  
25 respectively directed in clockwise and relatively anti-clockwise directions.
44. A particle retention assembly according to claim 42 or 43, wherein said swirls are created by gas jets directed in different directions.
- 30 45. A particle retention assembly according to claim 44, wherein said jets are at

-34-

least momentarily sonic or supersonic during use of a device comprising the particle retention assembly.

46. A particle retention assembly according to any one of claims 41 to 45,  
5 wherein said first and second ducts are offset from one another in the direction of gas flow.

47. A particle retention assembly according to claim 46, wherein said offset is substantially the longitudinal length of said particle retention chamber.

10

48. A particle retention assembly according to any one of claims 41 to 47, wherein said first and second ducts are offset from one another circumferentially.

49. A particle retention assembly according to claim 48, wherein said  
15 circumferential offset is between 90° and 180°.

50. A particle retention assembly according to claim 48, wherein said circumferential offset is approximately 120°

20 51. A particle retention assembly according to any one of claims 41 to 50, wherein said first and second ducts are constructed to supply gas to said particle retention chamber from a substantially annular space around said particle retention chamber.

25 52. A particle retention assembly according to claim 51, wherein said annular space is fluidly connected to a region upstream of said upstream closure.

53. A particle retention assembly according to any one of claims 40 to 51, wherein said fluid connection is by means of a series of circumferential ports.

30

-35-

54. A particle retention assembly according to any one of claims 39 to 53, further comprising a closure upstream of said upstream closure to ensure the sterility of the particle retention assembly.
- 5 55. A particle retention assembly according to any one of claims 39 to 54, wherein said duct or ducts is/are angled to direct gas outwardly against one of said upstream or downstream closures.
56. A particle retention assembly according to any one of claims 39 to 55,  
10 wherein said closures are provided by membranes that open by rupturing.
57. A needleless syringe device comprising the particle retention means of any one of claims 39 to 56.
- 15 58. A method of fluidizing particles in a particle retention chamber, the method comprising:  
supplying pressurised gas to an annular space around said particle retention chamber;  
supplying said gas to said chamber using at least one transfer duct so as to  
20 fluidize any particles located in said particle retention chamber.
59. A method of fluidizing particles in a particle retention chamber, the method comprising:  
supplying pressurised gas to a first duct fluidly connected to said particle  
25 retention chamber;  
creating a first swirl of gas in said particle retention chamber so as to fluidize any particles located in said particle retention chamber.
60. A method of fluidizing particles according to claim 59, further comprising:  
30 supplying pressurised gas to a second duct fluidly connected to said particle

-36-

retention chamber;

creating a second swirl of gas in said particle retention chamber so as to fluidize any particles located in said particle retention chamber

5 61. A method of fluidizing particles according to claim 60, wherein said first and second swirls are directed in substantially different directions.

62. A method of entraining a dose of particles in a gas flow in a needleless syringe, said method comprising:

10 fluidizing said dose of particles according to any one of claims 58 to 61;  
opening an upstream closure to entrain said particles in said gas flow;  
opening a downstream closure to allow said entrained particles to be swept out of the device.

15 63. A method according to claim 62, further comprising firstly opening a further closure upstream of said upstream closure so as to supply said gas to said chamber.

64. A needleless syringe device constructed and arranged substantially as hereinbefore described, with reference to Figures 1 to 18 of the accompanying  
20 drawings.

65. A particle retention assembly constructed and arranged substantially as hereinbefore described, with reference to Figures 1 to 18 of the accompanying  
25 drawings.

66. A method substantially as hereinbefore described, with reference to Figures 1 to 18 of the accompanying drawings.

Fig. 1

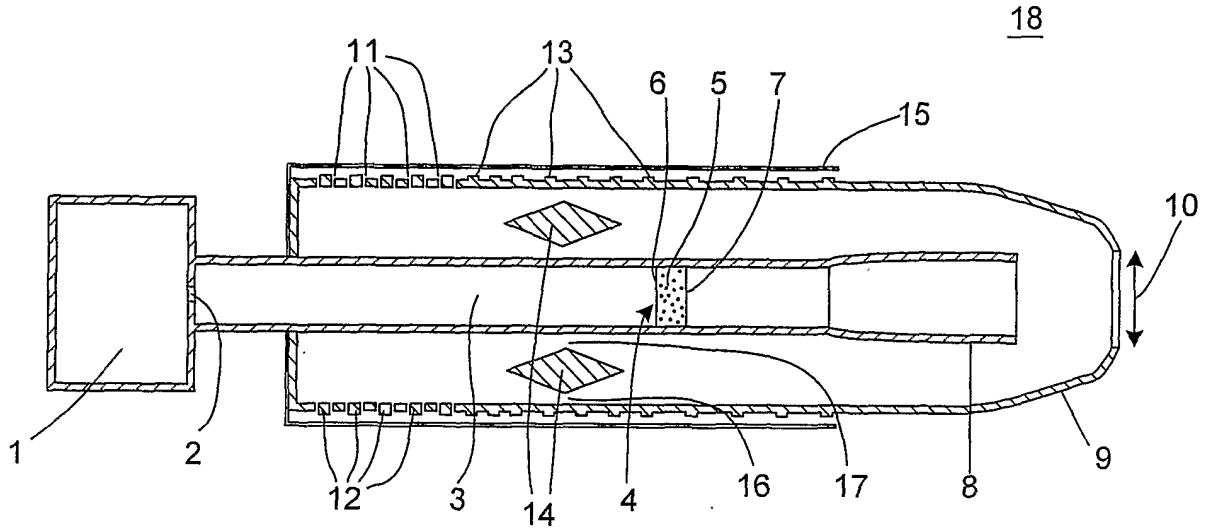


Fig. 2

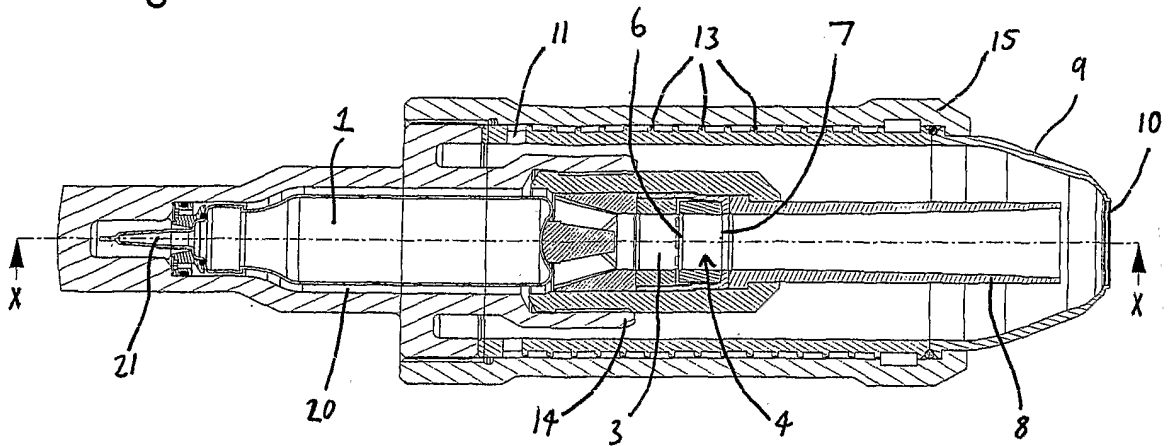


Fig. 3

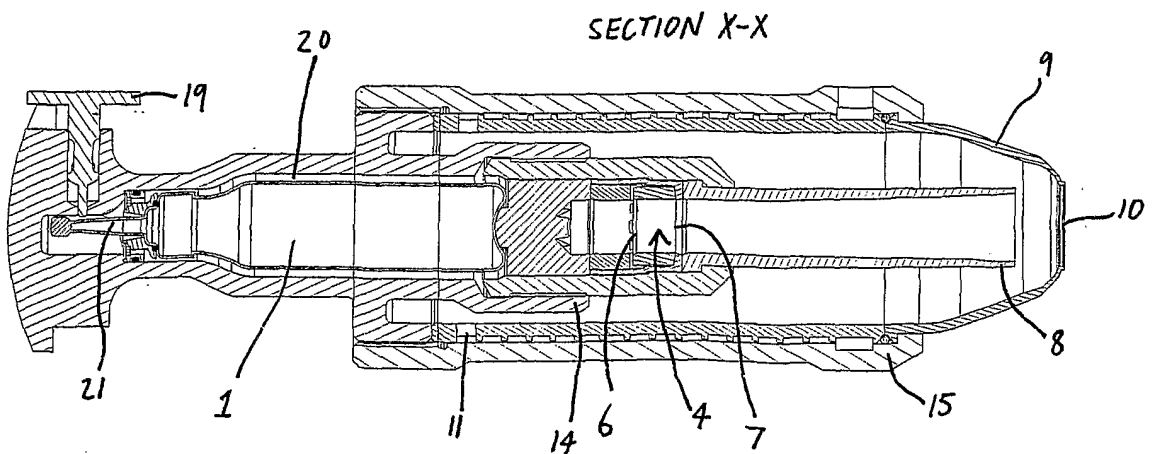


Fig. 4

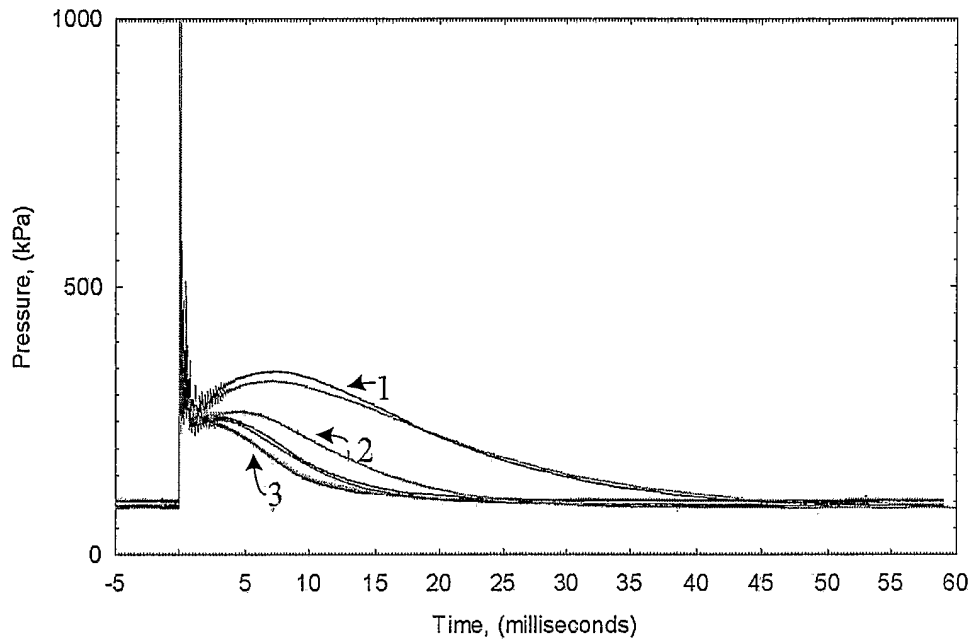


Fig. 5

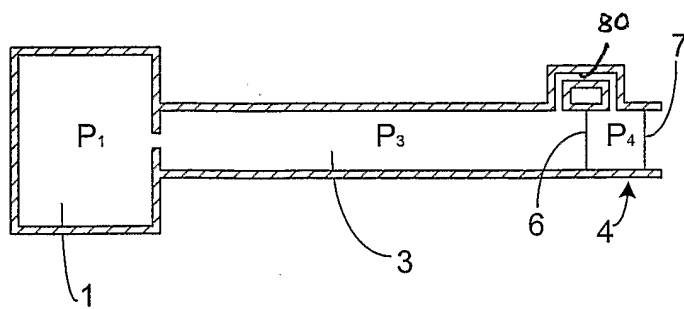


Fig. 6

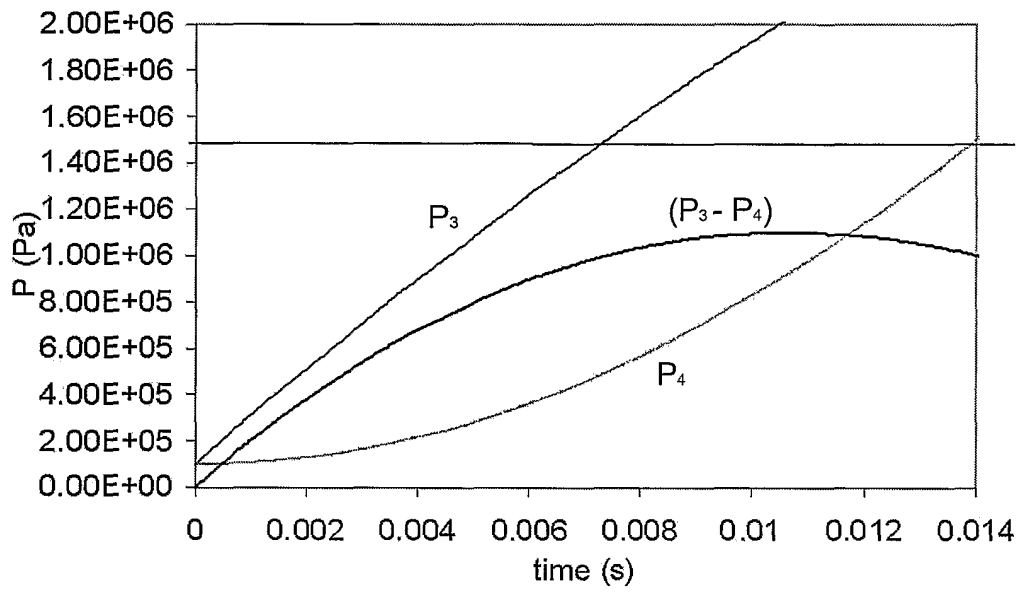


Fig. 7

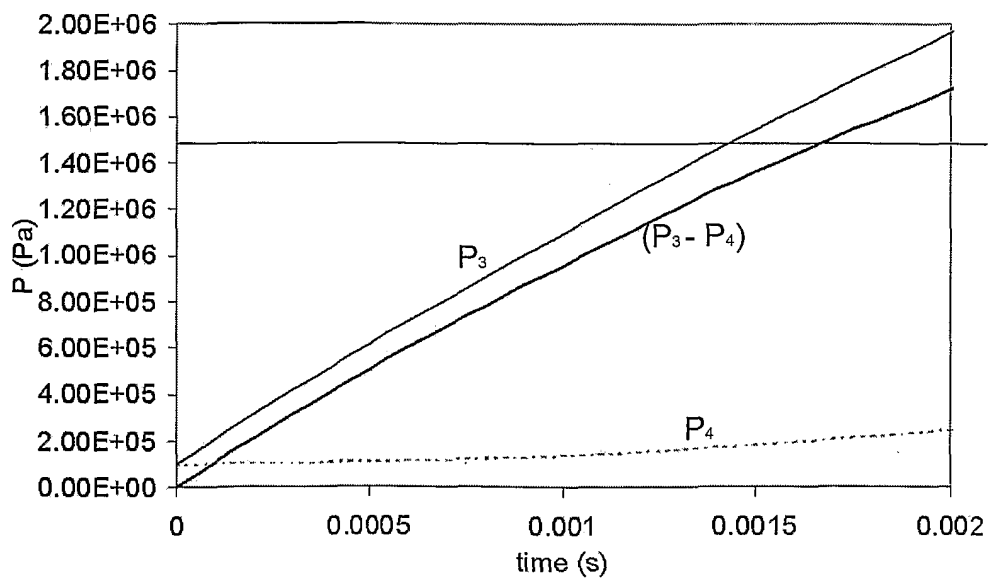


Fig. 8

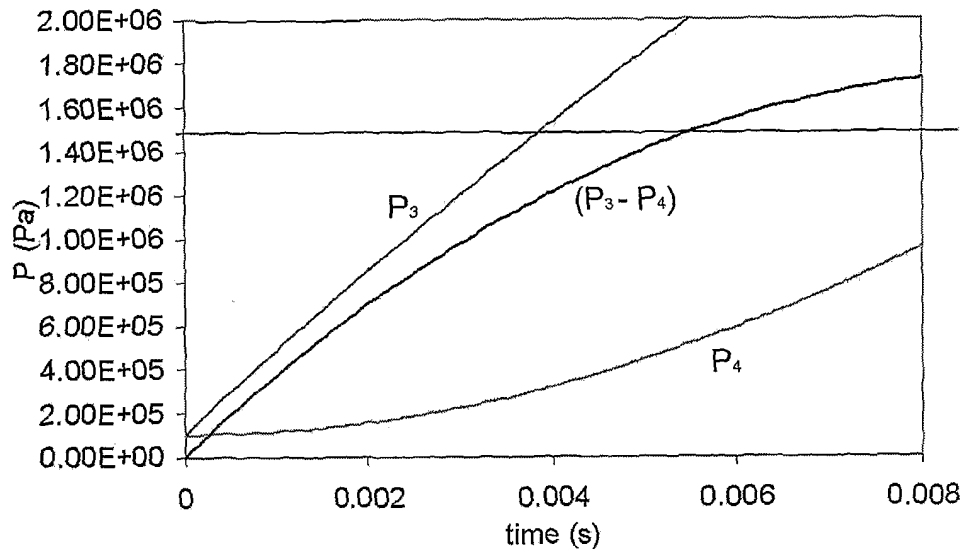


Fig. 9

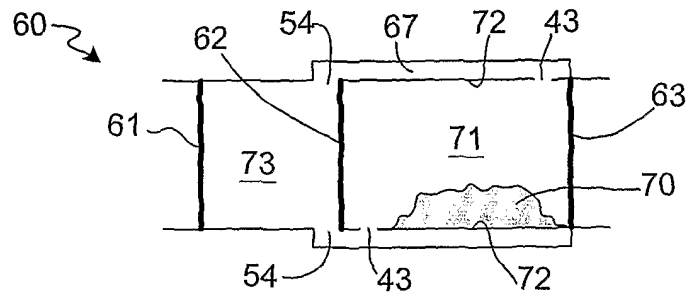


Fig. 10a

Fig. 10b

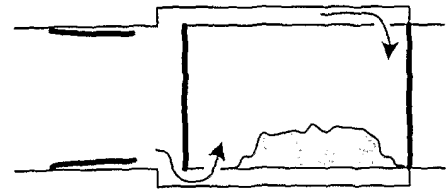
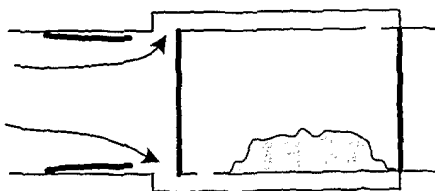


Fig. 10c

Fig. 10d

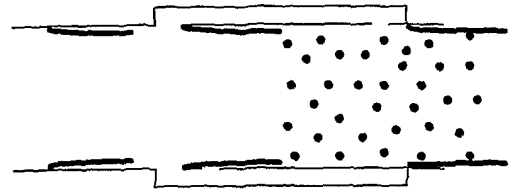
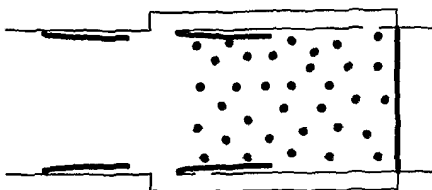


Fig. 11

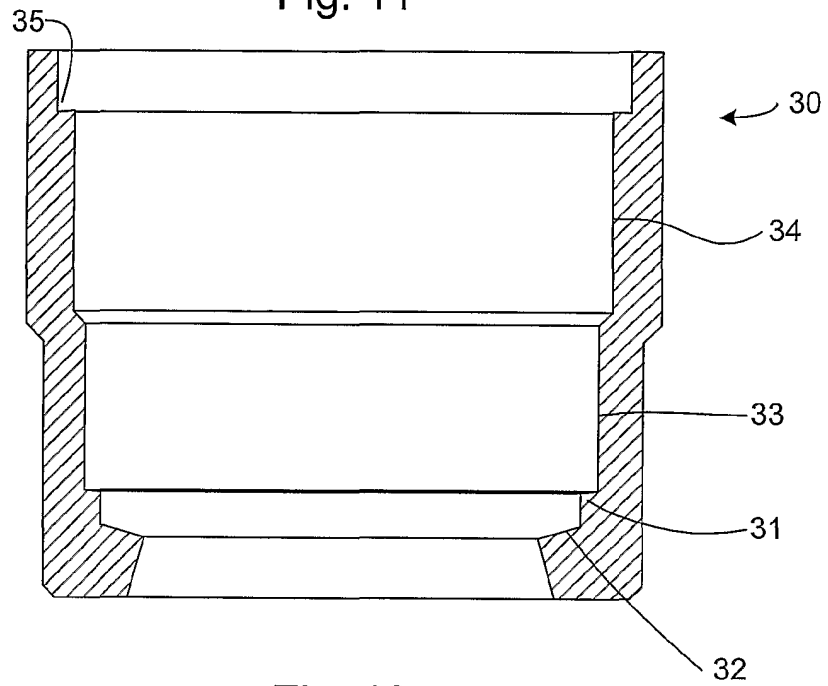


Fig. 12

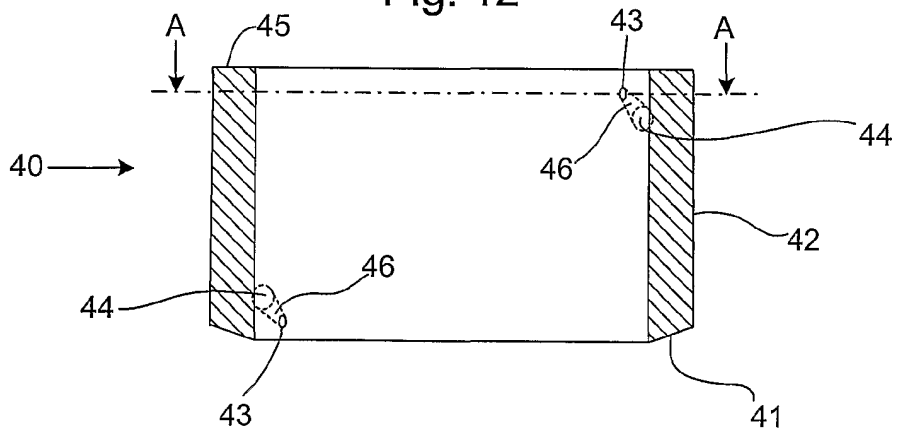


Fig. 13

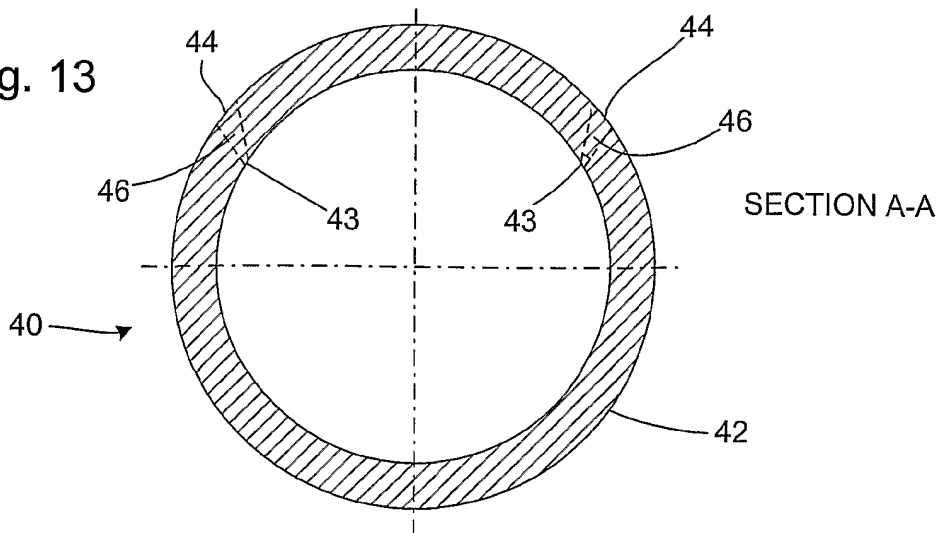


Fig. 14

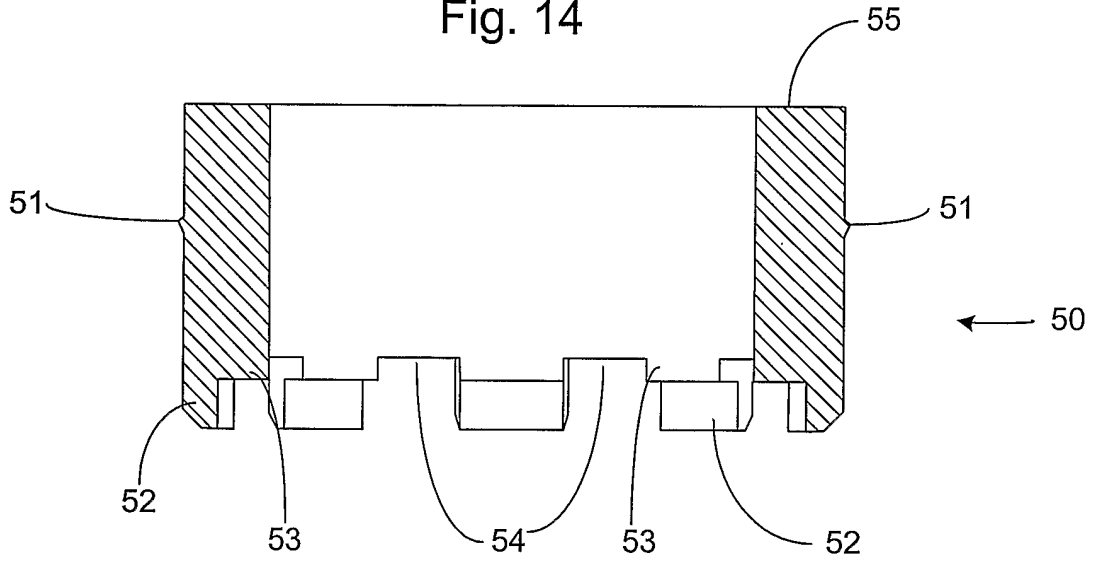


Fig. 15

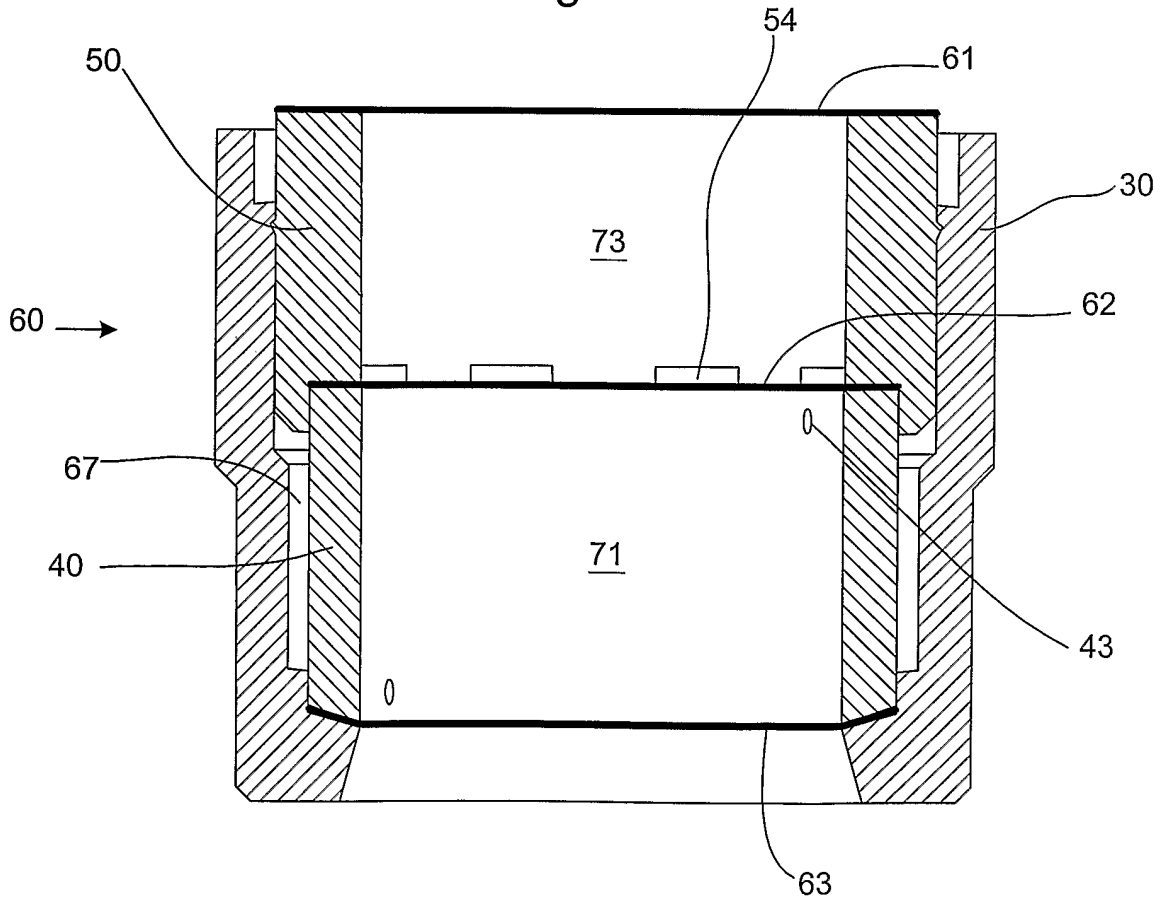


Fig. 16

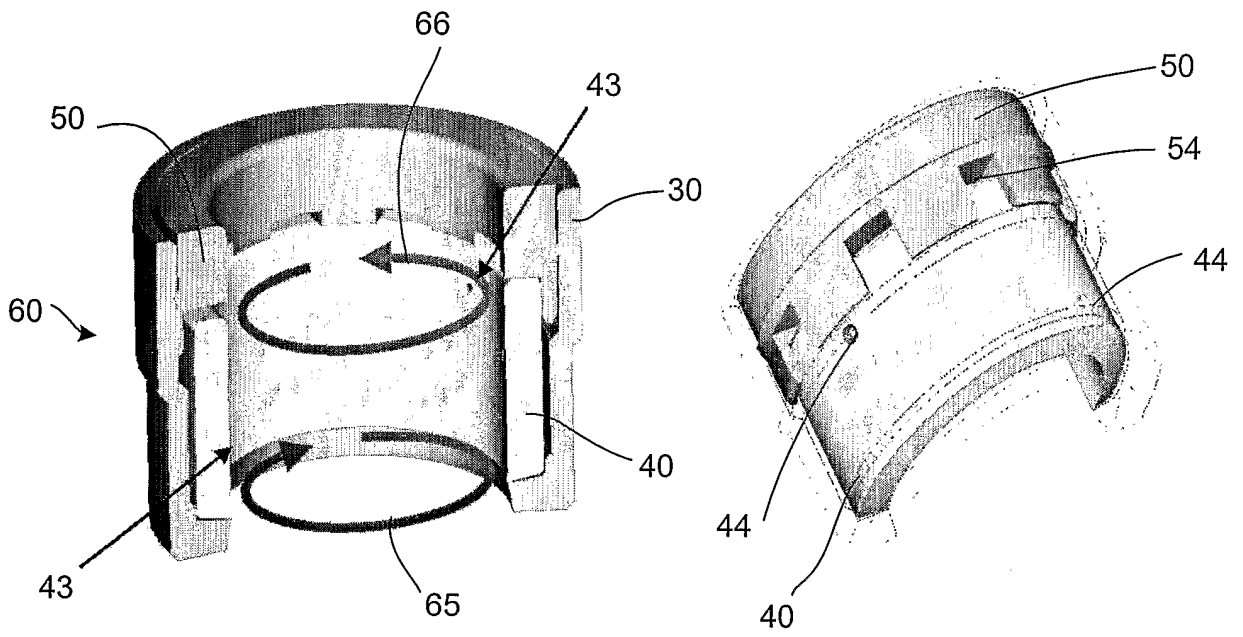
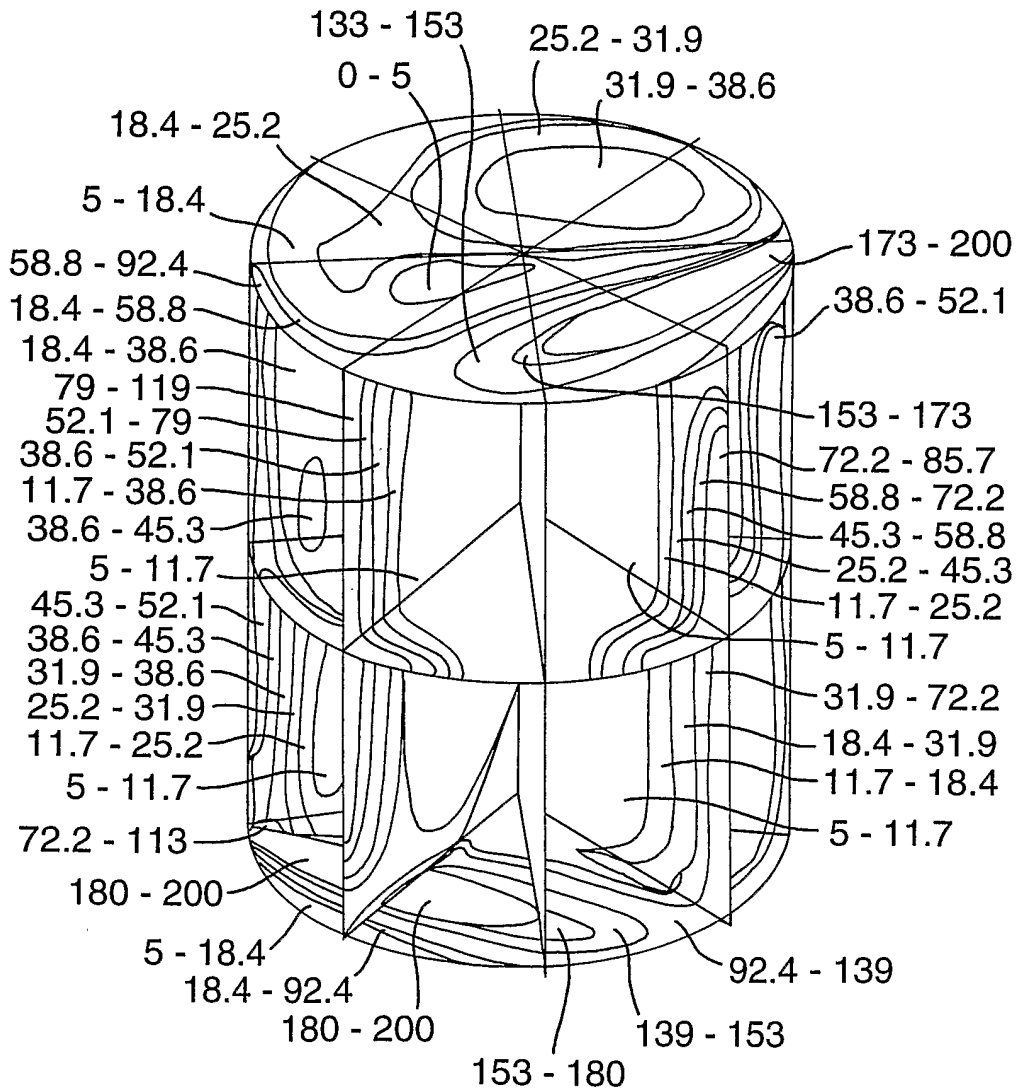


Fig.17.



Values show velocity in M/S

Fig.18.

