

(19) World Intellectual Property Organization
International Bureau



(43) International Publication Date
27 September 2007 (27.09.2007)

PCT

(10) International Publication Number
WO 2007/106940 A1

(51) International Patent Classification:

A45C 3/04 (2006.01) A47F 10/02 (2006.01)
A47F 10/04 (2006.01) B65D 1/38 (2006.01)
B65D 21/032 (2006.01) B65D 25/28 (2006.01)

(21) International Application Number:

PCT/AU2007/000346

(22) International Filing Date: 21 March 2007 (21.03.2007)

(25) Filing Language: English

(26) Publication Language: English

(30) Priority Data:
2006901448 21 March 2006 (21.03.2006) AU

(71) Applicant and

(72) Inventor: DRURY, Peter [AU/AU]; 8 Queens Avenue,
Vaucluse, New South Wales 2030 (AU).

(74) Agents: SMITH, Alistair, James et al.; Davies Collison
Cave, Level 14, 255 Elizabeth Street, Sydney, New South
Wales 2000 (AU).

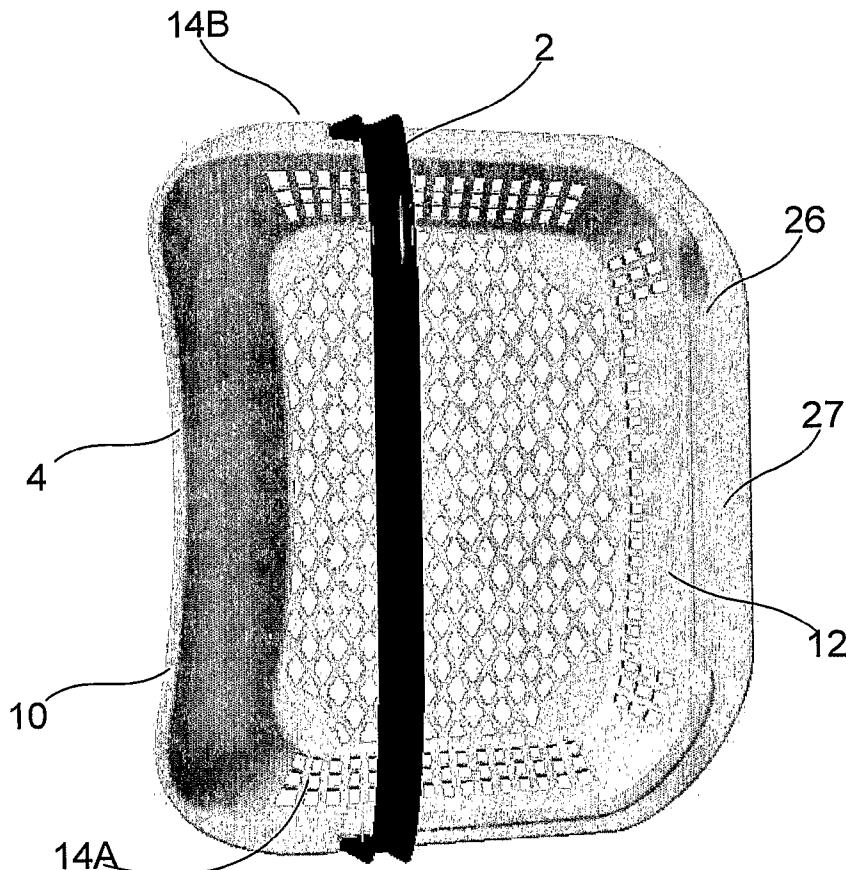
(81) Designated States (unless otherwise indicated, for every
kind of national protection available): AE, AG, AL, AM,
AT, AU, AZ, BA, BB, BG, BH, BR, BW, BY, BZ, CA, CH,
CN, CO, CR, CU, CZ, DE, DK, DM, DZ, EC, EE, EG, ES,
FI, GB, GD, GE, GH, GM, GT, HN, HR, HU, ID, IL, IN,
IS, JP, KE, KG, KM, KN, KP, KR, KZ, LA, LC, LK, LR,
LS, LT, LU, LY, MA, MD, MG, MK, MN, MW, MX, MY,
MZ, NA, NG, NI, NO, NZ, OM, PG, PH, PL, PT, RO, RS,
RU, SC, SD, SE, SG, SK, SL, SM, SV, SY, TJ, TM, TN,
TR, TT, TZ, UA, UG, US, UZ, VC, VN, ZA, ZM, ZW.

(84) Designated States (unless otherwise indicated, for every
kind of regional protection available): ARIPO (BW, GH,
GM, KE, LS, MW, MZ, NA, SD, SL, SZ, TZ, UG, ZM,
ZW), Eurasian (AM, AZ, BY, KG, KZ, MD, RU, TJ, TM),
European (AT, BE, BG, CH, CY, CZ, DE, DK, EE, ES, FI,
FR, GB, GR, HU, IE, IS, IT, LT, LU, LV, MC, MT, NL, PL,
PT, RO, SE, SI, SK, TR), OAPI (BF, BJ, CF, CG, CI, CM,
GA, GN, GQ, GW, ML, MR, NE, SN, TD, TG).

Published:
— with international search report

[Continued on next page]

(54) Title: A RECEPTACLE



(57) Abstract: A receptacle (1) having a basket portion (5) and a handle (2) attached to the basket portion at a position offset to a central plane (24) of the basket. In use, the handle is moveable between an elevated and a rested position, with an engaging mechanism (6) being provided for restricting movement of the handle beyond the elevated position. The handle being oriented parallel to the basket near side (10) resting against a user. The basket near side (10) being shaped to conform to a part of the user's body. The basket including display panels (16, 27) for displaying information.

WO 2007/106940 A1



For two-letter codes and other abbreviations, refer to the "Guidance Notes on Codes and Abbreviations" appearing at the beginning of each regular issue of the PCT Gazette.

A RECEPTACLE

Background of the Invention

The present invention relates to a receptacle, and in particular to a receptacle for shopping that is designed to allow for an improved shopping experience.

5 Description of the Prior Art

The reference in this specification to any prior publication (or information derived from it), or to any matter which is known, is not, and should not be taken as an acknowledgment or admission or any form of suggestion that the prior publication (or information derived from it) or known matter forms part of the common general knowledge in the field of endeavour to
10 which this specification relates.

Presently, when shopping for groceries or the like, a user may choose a shopping basket over a trolley, if the user does not require too many shopping items. Shopping baskets are generally preferred for smaller shopping loads so that the user can complete their shopping faster and more efficiently.

15 However, shopping baskets are generally not comfortable to carry. They usually have handles that extend across the width of the basket. As the user will tend to align the basket lengthways, this makes the basket difficult to carry, as the user often has to hold their arm and hand at unnatural angles. This disadvantage is further accentuated by the fact that the baskets tend to have the handles positioned above the centre of gravity, when being used, and
20 consequently, the user has to hold the basket away from themselves, in order to stop the basket from hitting their side when walking.

Furthermore, shopping baskets usually tend to be grated so as to reduce their weight. However, if a user carries a basket close to their body, there is a risk that a part of a user's clothing or the like can get caught in the gratings, or by objects protruding from the basket.

25 Summary of the Present Invention

In a first broad form the present invention provides a receptacle, the receptacle having:

- a) a basket portion;

- 2 -

- b) a handle, the handle being attached to the basket portion, at a position offset to a central plane of the basket, the handle being moveable between an elevated and a rested position; and,
- c) an engaging mechanism for restricting movement of the handle beyond the elevated position.

5

Typically the basket portion includes a near side for resting against a user, in use, the handle being substantially parallel to the near side.

Typically the basket portion includes a near side, the near side being a side near a user when the receptacle is carried, the near side being shaped to conform to a part of the user's body.

10 Typically the near side has a substantially concave shape.

Typically the basket portion has a near side for resting against a user, in use, the near side being substantially solid.

Typically the handle is positioned between the near side and the central plane.

Typically the basket portion includes at least one display panel for displaying information.

15 Typically the basket portion includes a near side for resting against a user, in use, and a far side positioned opposite the near side, the at least one display panel being provided on the far side.

Typically the basket portion includes a rim extending around an opening, the at least one display panel being provided on at least part of the rim.

20 Typically the basket portion includes at least one display panel arranged in an orientation substantially perpendicular to a base of the basket portion and at least one display panel arranged in an orientation substantially parallel to the base of the basket portion.

Typically the basket has a rim at least partially extending around an opening.

25 Typically the rim has a flange, the handle resting on the flange in the rested position, for storage of the receptacle.

Typically the engaging mechanism includes at least one of:

- a) an angled portion of the rim; and,
- b) a nib provided on the handle.

Typically the engaging mechanism includes:

- 5 a) a stop positioned on at least one of a flange and a rim; and,
- b) a stop engager provided on the handle, such that when the handle is in the elevated position the stop engager engages the stop to restrict further movement of the handle.

Typically when the handle is held in use, the engaging mechanism retains the handle in the elevated position at an angle such that when the handle is released, the handle falls to the
10 rested position.

Typically the basket portion includes a rim having a recessed portion to allow loading of the receptacle, in use.

Typically the basket portion has a base and a near side, the near side being inclined at an angle with respect to the base.

15 Typically the basket portion has an opening inclined at an angle, with respect to a base.

In a second broad form the present invention provides a receptacle, the receptacle having:

- a) a basket portion; and,
- b) a handle connected to the basket portion, wherein the basket portion has a near side for resting against a user, in use, the handle being substantially parallel to the near
20 side.

Typically the receptacle is a receptacle according to the first broad form of the invention.

In a third broad form the present invention provides a receptacle, the receptacle having a basket portion, the basket portion having a near side, wherein, in use, the basket portion has a near side, the near side being a side near a user when the basket is carried, the near side being
25 shaped to conform to a part of the user's body.

Typically the receptacle is a receptacle according to the first or second broad form of the invention.

In a fourth broad form the present invention provides a receptacle, the receptacle having:

- a) a basket portion including first and second display panels for displaying information, the first display panel being arranged in an orientation substantially perpendicular to a base of the basket portion and the second display panel being arranged in an orientation substantially parallel to the base of the basket portion; and,
- b) a handle, the handle being attached to the basket portion.

Typically the receptacle is a receptacle according to any one of the other broad forms of the invention.

Typically the receptacle is a shopping receptacle.

10 **Brief Description of the Drawings**

An example of the present invention will now be described with reference to the accompanying drawings, in which: -

- Figure 1A is a perspective side view of an example of a receptacle;
- Figure 1B is a perspective side view of the receptacle of Figure 1A, with the handle elevated;
- 15 Figure 2A is a far side view of the receptacle of Figure 1A, with the handle rested;
- Figure 2B is a far side view of the receptacle of Figure 1A, with the handle elevated;
- Figure 3A is a near side view of the receptacle of Figure 1A, with the handle rested;
- Figure 3B is a near side view of the receptacle of Figure 1A, with the handle elevated;
- Figure 4A is an end view of the receptacle of Figure 1A, with the handle rested;
- 20 Figure 4B is an end view of the receptacle of Figure 1A, with the handle elevated;
- Figure 5A is a top view of the receptacle of Figure 1A, with the handle rested;
- Figure 5B is a top view of the receptacle of Figure 1A, with the handle elevated;
- Figure 6 is a bottom perspective view of the receptacle of Figure 1A;
- Figure 7 is a close-up side view of a basket and handle illustrating an example of an engaging
25 mechanism of Figure 4B;
- Figure 8 is a close up perspective view of a basket illustrating an example of a connection point;
- Figure 9 is a close up underside view of the connection point of Figure 8;
- Figure 10 is a close up perspective view of a handle for use with the basket of Figure 8;

- 5 -

Figure 11 is a close up perspective view of a basket illustrating a second example of a connection point;

Figure 12 is a close up top perspective view of a handle for use with the basket of Figure 11;

Figure 13 is a close up side view of the handle end of Figure 8 in a rested position; and,

5 Figure 14 is a close up side view of the handle end of Figure 8 in an elevated position.

Detailed Description of the Preferred Embodiments

Figures 1 to 6 show an example of a receptacle 1 such as a shopping receptacle, or the like.

The receptacle 1, has a basket portion 5, including a near side 10, a far side 12, and at least two ends 14A, 14B. The ends 14A, 14B join the near and far sides 10, 12 together at
10 opposing ends, thereby forming the basket portion 5. The basket portion 5 also has an opening 20 and a base 22, to allow items to be placed therein.

The receptacle 1 has a handle 2, coupled to a rim 8, which extends at least partially around the opening 20. The handle 2 has a first handle end 3A and a second handle end 3B, coupled to the rim 8 at respective connection points shown generally at 15A, 15B. In one example, the
15 handle is able to pivot about the connection points 15A, 15B between an elevated position, in which the handle 2 can be used to carry the basket, and a rested position, in which the handle 2 rests on a flange 18 that extends around at least part of the rim 8 above the far side 12. The handle 2 is also attached to the rim 8 so as to be offset from a plane extending vertically and longitudinally through a centre of the basket (hereinafter a central plane) 24. It will be
20 appreciated from this that the centre of gravity of the basket (not including the handle) would generally be positioned on the central plane.

Typically, the base 22 is rectangular in shape, with the ends 14A, 14B being provided along the shorter sides of the rectangular base 22. As a result, by having the handle 2 attached at the respective connection points 15A, 15B, this means that when the receptacle 1 is carried,
25 the near side 10 is positioned adjacent the user's body, with the handle aligned substantially parallel to the sides 10, 12. This longitudinal arrangement for the handle helps improve comfort for the user, as the handle is aligned with the user's natural arm and hand position.

By having the handle 2 positioned between the near side 10 and the central plane, the opening between the far side 12 and the handle 2 is greater than the opening between the handle 2 and

the near side 10, and greater than if the handle were centrally positioned. This provides improved access to the opening, making it easier for users to insert items through the opening whilst carrying the receptacle.

By having the handle 2 offset from the central axis, the handle portions 3A, 3B are typically of a greater length than in standard baskets, to allow the handle to rest on the flange 18 when the handle is in the rested position. As a result, the handle 2 is typically of a greater height when elevated, when compared to existing baskets. This allows larger or bulkier items, such as boxes of cereal, and tall bottles to be more easily accommodated than in traditional baskets.

Thus the handle configuration provides a larger mouth or opening for the easier loading of items. This can be approximately double the opening provided by traditional handbaskets.

A further impact of the handle positioning is that user's will tend to stack more items into the basket portion 5 nearer to the far side 12. Accordingly, as the handle 2 is slightly off-centre, when a user is holding the basket portion 5, the weight of additional items near the far side 12 will tend to force the far side 12 to tip slightly away from the user. Accordingly, the near side 10 is provided at a slight angle with respect to the base 22, so that upon slight tipping, the near side 10 rests more comfortably against the user's side. This makes the receptacle easier to carry when filled with heavy items.

In another aspect, the near side 10 is shaped so as to rest comfortably against the user's body.

Thus, for example, the near side 10 has a curved portion 4, that can be at least partially concave, such that the near side 10 conforms to the user's side, thereby providing improved comfort for the user.

Additionally, it will be appreciated that shopping baskets are normally grated so that the overall weight of the basket is of less weight. However, as can be seen in Figures 3A and 3B , the near side 10 is solid. Consequently, when the near side 10 rests against the user's body, there will be a reduced risk of the user's clothes, or the like, being caught on the basket portion 5, or by protruding objects (as is usually the case when the baskets are grated on all sides).

- 7 -

In one example, the rim 8 and in particular the rim 8 in the region of the connection points 15A, 15B, is constructed so as to include an engaging mechanism, shown generally at 6, which is provided to thereby restrict motion of the handle when it is raised into the elevated position. In particular, this is arranged so that the handle 2 is at an angle α to the vertical, and therefore is biased to one side by gravity, when in the elevated position. This has two main effects.

Firstly, it impedes relative rotation of the basket 1 and handle 2, whilst the basket 1 is held by the handle 2, thereby preventing the basket spilling or toppling over. It will be appreciated that this allows the handle to be positioned offset from the centre of gravity, without there being a risk of the contents of the basket tipping out when the basket is picked up.

Secondly, this ensures that the handle falls back towards the far side 12, when the handle is released. This ensures that when the receptacle is left for stacking, the handle 2 automatically returns to the rested position, leaving the opening unimpeded so it can receive another receptacle in a stacking arrangement. This allows the receptacles to be stacked in a nested fashion, which is also assisted by the positioning of the handle 2, the flange 18 and the rim 8 (as shown, for example in Figure 1A).

The engaging mechanism 6 can be of any form, however, and is typically formed as a moulded portion of the rim 8.

An example of this is, shown in Figure 7, in which the engaging mechanism 6, is formed partly from a shaped portion 28 of the rim 8,, and a nib 9, provided on the handle portion 3A. The angled portion 28 is formed at an angle θ , which is usually between 1 to 5 degrees, from a vertical axis 7 (vertical with respect to the base 22). The nib 9 is then shaped to cooperate with the angled portion 28, to thereby impede movement of the handle towards the side 10, and maintain the angle α .

It will be appreciated that a corresponding nib 9 is also provided on the handle portion 3B. As the nib portions will both need to be provided on the side of handle 2 facing the near side 10, this means that the handle needs to be fitted to the basket portion 5 in the correct orientation.

- 8 -

It will be appreciated that this could be avoided by shaping the rim 8 so that the shaped portion 28 alone provides the necessary engaging means, thereby avoiding the need for the nib 9. However, this would require that the angle θ is negative (so that the moulded portion extends outwards passed the vertical line 7). This in turn results in what is referred to as an
5 "undercut" in injection moulding manufacturing processes. In particular, the undercut would make removal of basket portion 5 from a mould difficult, which would hamper the manufacturing process to a greater degree than requiring correct orientation of the handle 2.

However, it will be appreciated that with the use of suitable tooling, the moulding of the rim 8 can provide the desired angle α . Thus the engaging mechanism 6 can be formed entirely
10 from suitable configuration of the rim 8. Thus, for example, this could be achieved by having a knob, or other suitable projection appropriately positioned on the rim 8 or basket 1, to allow movement of the handle described above to be achieved.

The rim 8 can also have a flange 18, upon which the handle 2 can rest, when the handle 2 falls towards the side 12, into the rested position. In general, the handle 2 lies flush with the
15 flange 18, thereby assisting with neat storage of the basket portion 5, when not in use. This configuration of the rim 8 can also allow for the handle 2 to be slightly angled towards the side 12 to ensure that the handle collapses towards the far side 12.

In another aspect, the rim 8 can be slightly angled with respect to the base 22. Typically, the rim 8 is angled at 3° to the base 22, as shown by angle ϕ in Figure 4A. Consequently, side 12
20 is of a lower height than side 10, which can allow for easier loading and comfortable handling of the basket.

Additionally, the rim 8 can also have a recessed portion 26, which can also allow for improved loading capability. As shown in Figures 1A and 1B, for example, the recessed
25 portion 26 can be formed from having the flange 18 extending from the side 12, without the rim 8.

The basket portion 5 can also display information such as adverts on either, first or second information display panels 16, 27. This can include advertising messages, special shopping deals, or other shopping or store information. The basket portion 5 may also be personalised by the information display panels 16, 27.

It will be appreciated that the information display 16 can be on any side of the basket, however, in one example, the first information display panel 16 is on the far side 12, such that, in use, other shoppers can see the display, as the side 10 is carried towards the user. In this arrangement the first display panel 16 is provided perpendicular to the base 22, such that
5 in use the first display panel is typically arranged substantially vertically.

In one example, the second information display panel 27 is formed from the recessed portion 26. In this arrangement the second display panel 27 is provided parallel to the base 22, such that in use the first display panel is typically arranged substantially horizontally. As a result, the second information panel is easily visible to the user of the basket 1, for example when
10 they are loading items into the basket, and to other shoppers, again as the second information display panel is positioned above the far side 12 of the basket 1. The information display panels 16, 27 can be of any form, including a digital display, poster, label, hologram, sticker, or the like.

The general arrangement of the connection points 15A, 15B can also be varied, depending on
15 the preferred implementation, and this can again have an impact on the nature of the engaging mechanism. A specific example of a connection point is shown in more detail in Figures 8 to 10.

In this example, the connection point 15A includes an aperture 40, provided in the rim 8, and a shaped portion 42, which allows the handle 2 to be coupled to the basket. The shaped
20 portion 42 includes the angled portion 28, which abuts against the nib 9 to limit the range of movement of the handle 2 in the elevated position, as previously described.

In this example, the rim 8 includes a raised face 44 in the region surrounding the aperture 40. In addition to this, the rearside of the rim 8, shown in Figure 9, includes a pad 46. The pad 46 and the raised face 44 provide additional strength to the aperture, as well as thickening the
25 rim 8 in the region of the aperture to enhance coupling between the handle 2 and the basket 1.

An example of an end of a handle 2, suitable for use with the connection point 15A of Figure 8, is shown in Figure 10. In this example, the handle 2 includes a shaft 50, extending outwardly from the handle 2. The shaft includes a shoulder 52, and a circular boss 54 is provided on the handle 2, at the base of the shaft 50.

- 10 -

In use, the handle 2 is coupled to the basket 1, by inserting the shaft 50 and the shoulder 52 into the aperture 40. The shaft 50 extends through the aperture 40, so that the shoulder 52 passes through the aperture 40 and the pad 46. The shoulder 52 is shaped with square edges so that once inserted through the aperture 40, the edges of the shoulder 52 abut against the pad 46, thereby retaining the shaft 50 within the aperture 40. In general the shaft 50 and aperture 40 are arranged so as to prevent unwanted removal of the shaft 50 from the aperture 40, whilst allow relative free rotation of the shaft 50 and aperture 40.

The handle 2 includes a curved end 56 that is designed to be positioned within the shaped portion 42, to thereby allow pivotal movement of the handle between the rested and elevated positions. The curved end 52 also defines the nib 9, which is adapted to cooperate with the angled portion 28 to help restrict movement of the handle beyond the desired elevated position.

When in position, the boss 54 is adapted to abut against the raised face 44. By utilising suitable materials, this allows smooth pivotal movement of the handle 2, thereby allowing the handle 2 to be moved between the extended and retracted positions substantially unimpeded, whilst still allow the strength of the connection point 15A to be maintained.

It will be appreciated that the above described connection point and associated connection arrangement is for the purpose of example only, and is not intended to be limiting. Use of the raised face 44, the pad 46, the shoulder 52 and the boss 54 are therefore optional.

A second example of a connection point is shown in more detail in Figures 11 to 14.

In this example, the engaging element 6, normally formed from the angled portion 28 and the nib 9 also includes a stop 60 provided on the flange 18 (or alternatively provided on part of the rim 8). The stop 60 has a facing edge 62 and a trailing edge 64. In this example the facing edge 62 is positioned below the aperture 40 and has a substantially vertical arrangement with the trailing edge 64 sloping generally downward away from the shaped portion 42 and the facing edge 62.

An example of an end of a handle 2, suitable for use with the connection point of Figure 11, is shown in Figure 12. As shown the handle 2 includes a stop engager 66 which engages the facing edge 62 of the stop 60 when the handle is in the elevated position in use. When the

handle 2 is in the rested position a sloped face 68 is provided for engaging the trailing edge 64.

Examples of the handle in the rested and elevated positions are shown in Figures 13 and 14 respectively. As can be seen, when in the rested position, the sloped face 68, of the handle 2, rests on top of the trailing edge 64 of the stop 60, thereby allowing the handle 2 to lie flush against the flange 18. However, when the handle is raised into the elevated position, the angled portion 28 and nib 9 engage, as do the stop engager 66 and the facing edge 62 of the stop 60. This acts to prevent further rotation of the handle 2, thereby ensuring that the angle α is maintained when the handle is elevated. It will be appreciated that the use of the additional stop 60, whilst not essential, helps reduce undue wear of the rim 8, and the angled portion 28, which could in turn impact on the ability of the handle to be retained in the elevated position, and hence reduce the life of the basket.

Another feature of the basket portion 5 is the particular moulding formation of the base 22. As mentioned above, the basket portion 5 is typically formed from an injection moulding process. To assist with this, the base 22 can include an injection point 30, ejection points 34 and runners 32. The injection point 30 is usually located slightly off centre in the base 22, with the runners 32 extending from the injection point 30 to the ejection points 34.

During the moulding process, this allows material (such as plastic or the like) to be injected into a mould at the point 30, with the material flowing being distributed throughout the mould via the runners 32. The ejection points 34 are used for ejecting the moulded receptacle 1 from the mould, and are formed such that they can be cleaned easily.

Additionally, the side and front wall grated patterns have a very slight undercut to prevent the moulded basket portion 5 being dislodged when the mould core is extracted during the moulding process. The newly moulded basket portion 5 is then "jumped" out of the cavity using ejection pins at the ejection points 34 and/or around the rim 8.

This provides a desirable and easy to clean arrangement, whilst still ensuring manufacturing simplicity is maintained.

It will be appreciated that the example above describes a number of different features including an offset handle 2, a longitudinal handle arrangement, a hugging (or curved portion

- 12 -

- 4), advertising/information display panels and easy loading capabilities. Accordingly, the receptacle 1 need not only be used for shopping but for transferring items from one location to another. Furthermore, each feature described may be used individually or in combination, and are only shown in combination as an example.
- 5 Persons skilled in the art will appreciate that numerous variations and modifications will become apparent. All such variations and modifications which become apparent to persons skilled in the art, should be considered to fall within the spirit and scope that the invention broadly appearing before described.

THE CLAIMS DEFINING THE INVENTION ARE AS FOLLOWS:

- 1) A receptacle, the receptacle having:
 - a) a basket portion;
 - b) a handle, the handle being attached to the basket portion, at a position offset to a
5 central plane of the basket, the handle being moveable between an elevated and a
rested position; and,
 - c) an engaging mechanism for restricting movement of the handle beyond the elevated
position.
- 2) A receptacle according to claim 1, wherein the basket portion includes a near side for
10 resting against a user, in use, the handle being substantially parallel to the near side.
- 3) A receptacle according to claim 1 or claim 2, wherein the basket portion includes a near
side, the near side being a side near a user when the receptacle is carried, the near side
being shaped to conform to a part of the user's body.
- 4) A receptacle according to claim 3, wherein the near side has a substantially concave
15 shape.
- 5) A receptacle according to any one of the claims 1 to 4, wherein the basket portion has a
near side for resting against a user, in use, the near side being substantially solid.
- 6) A receptacle according to any one of the claims 2 to 5, wherein the handle is positioned
between the near side and the central plane.
- 20 7) A receptacle according to any one of the claims 1 to 6, wherein the basket portion
includes at least one display panel for displaying information.
- 8) A receptacle according to claim 7, wherein the basket portion includes a near side for
resting against a user, in use, and a far side positioned opposite the near side, the at least
one display panel being provided on the far side.
- 25 9) A receptacle according to claim 7, wherein the basket portion includes a rim extending
around an opening, the at least one display panel being provided on at least part of the
rim.
- 10) A receptacle according to claim 7, wherein the basket portion includes at least one display
30 panel arranged in an orientation substantially perpendicular to a base of the basket portion
and at least one display panel arranged in an orientation substantially parallel to the base
of the basket portion.

- 11) A receptacle according to any one of the claims 1 to 10, wherein the basket has a rim at least partially extending around an opening.
- 12) A receptacle according to claim 11, wherein the rim has a flange, the handle resting on the flange in the rested position, for storage of the receptacle.
- 5 13) A receptacle according to any one of the claims 1 to 11, wherein the engaging mechanism includes at least one of:
- a) an angled portion of the rim; and,
 - b) a nib provided on the handle.
- 14) A receptacle according to any one of the claims 1 to 12, wherein the engaging mechanism
10 includes:
- a) a stop positioned on at least one of a flange and a rim; and,
 - b) a stop engager provided on the handle, such that when the handle is in the elevated position the stop engager engages the stop to restrict further movement of the handle.
- 15) A receptacle according to any one of the claims 1 to 14, wherein, when the handle is held
15 in use, the engaging mechanism retains the handle in the elevated position at an angle such that when the handle is released, the handle falls to the rested position.
- 16) A receptacle according to any one of the claims 1 to 15, wherein the basket portion includes a rim having a recessed portion to allow loading of the receptacle, in use.
- 17) A receptacle according to any one of the claims 1 to 16, wherein the basket portion has a
20 base and a near side, the near side being inclined at an angle with respect to the base.
- 18) A receptacle according to any one of the claims 1 to 17, wherein the basket portion has an opening inclined at an angle, with respect to a base.
- 19) A receptacle, the receptacle having:
- a) a basket portion; and,
 - 25 b) a handle connected to the basket portion, wherein the basket portion has a near side for resting against a user, in use, the handle being substantially parallel to the near side.
- 20) A receptacle according to claim 19, wherein the receptacle is a receptacle according to any one of the claims 1 to 18.
- 30 21) A receptacle, the receptacle having a basket portion, the basket portion having a near side, wherein, in use, the basket portion has a near side, the near side being a side near a user

- 15 -

when the basket is carried, the near side being shaped to conform to a part of the user's body.

- 22) A receptacle according to claim 21, wherein the receptacle is a receptacle according to any one of the claims 1 to 20.
- 5 23) A receptacle, the receptacle having:
- a) a basket portion including first and second display panels for displaying information, the first display panel being arranged in an orientation substantially perpendicular to a base of the basket portion and the second display panel being arranged in an orientation substantially parallel to the base of the basket portion; and,
 - 10 b) a handle, the handle being attached to the basket portion.
- 24) A receptacle according to claim 23, wherein the receptacle is a receptacle according to any one of the claims 1 to 22.
- 25) A receptacle according to any one of the preceding claims, wherein the receptacle is a shopping receptacle.
- 15 26) A receptacle substantially as hereinbefore described with reference to the accompanying drawings.
- 27) A receptacle including any one or more features shown in the accompanying drawings.

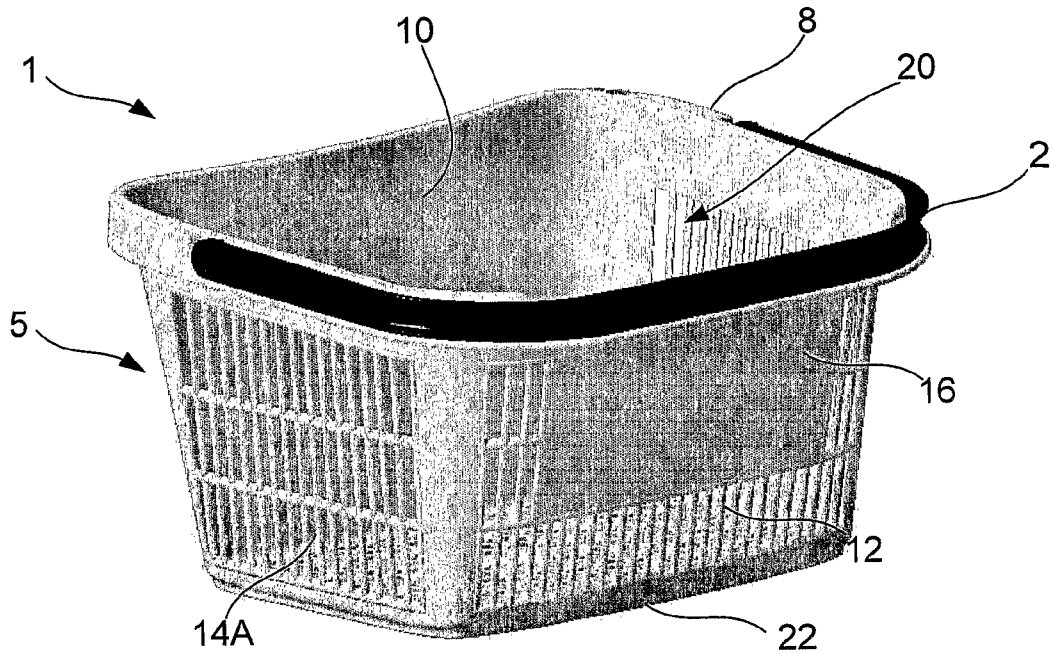


Fig. 1A

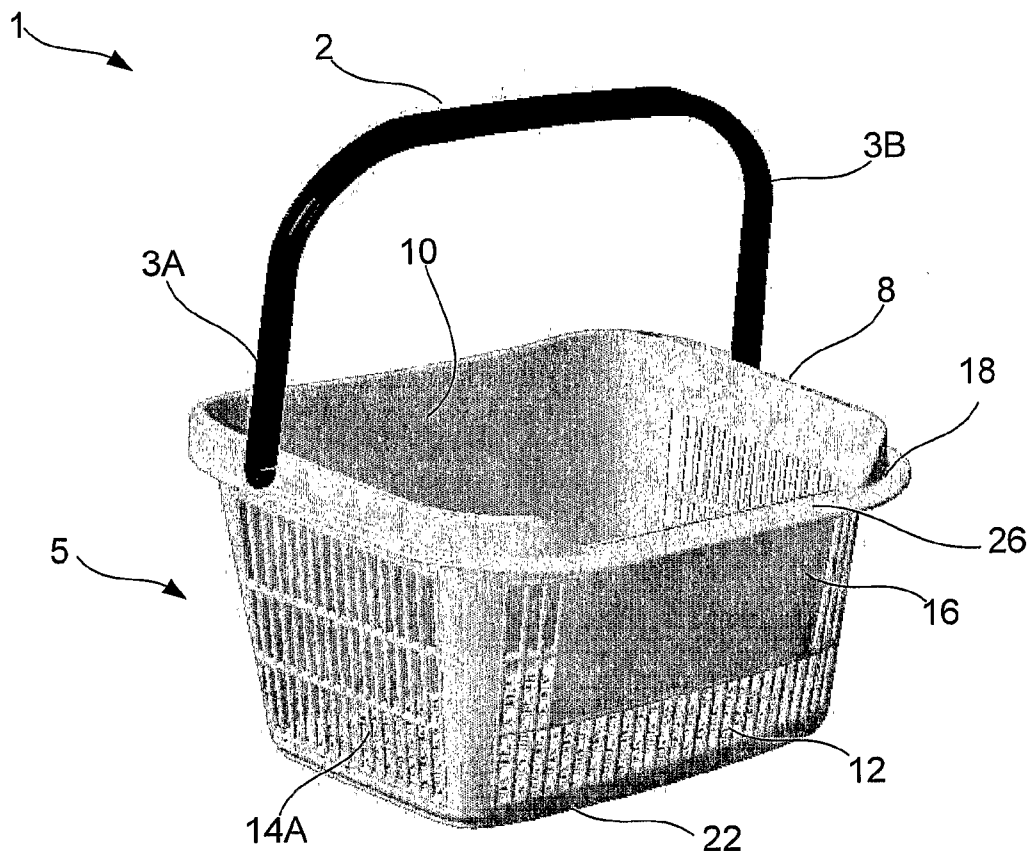


Fig. 1B

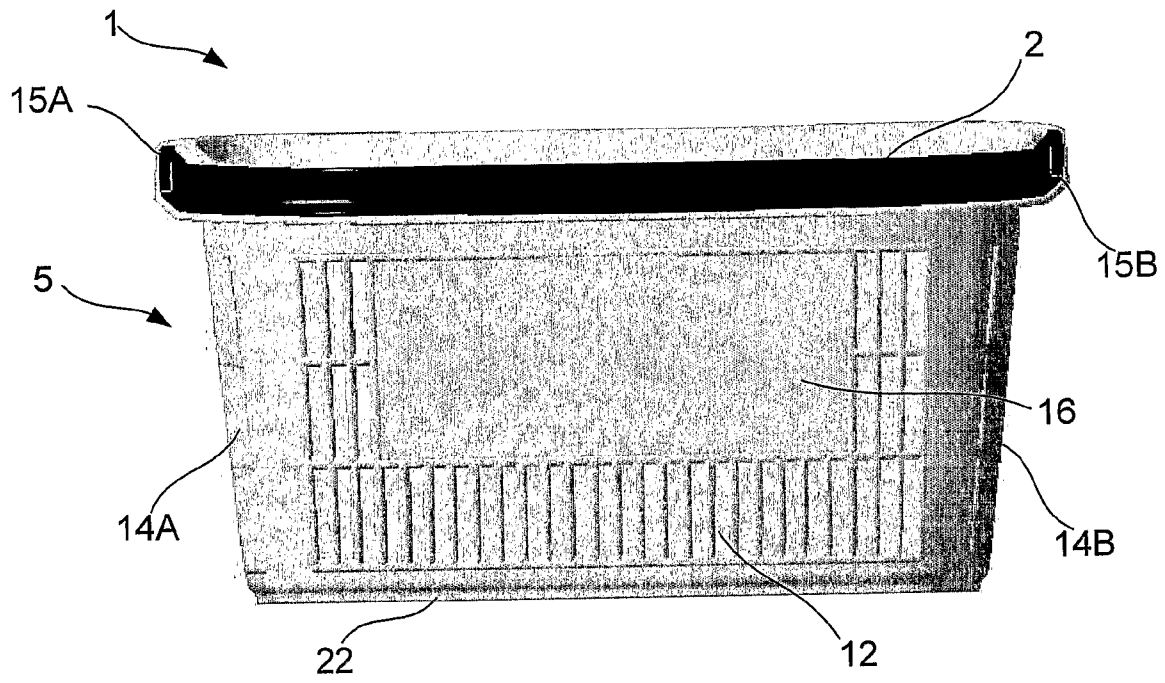


Fig. 2A

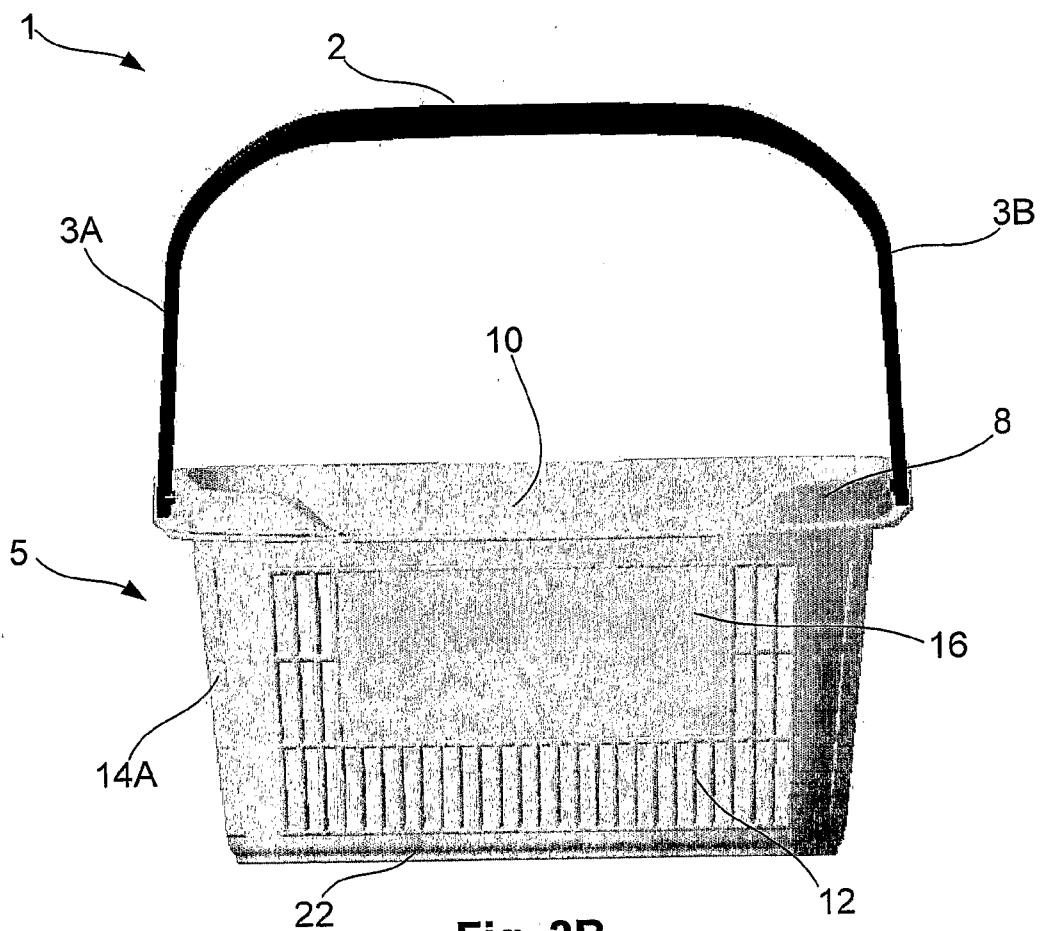


Fig. 2B

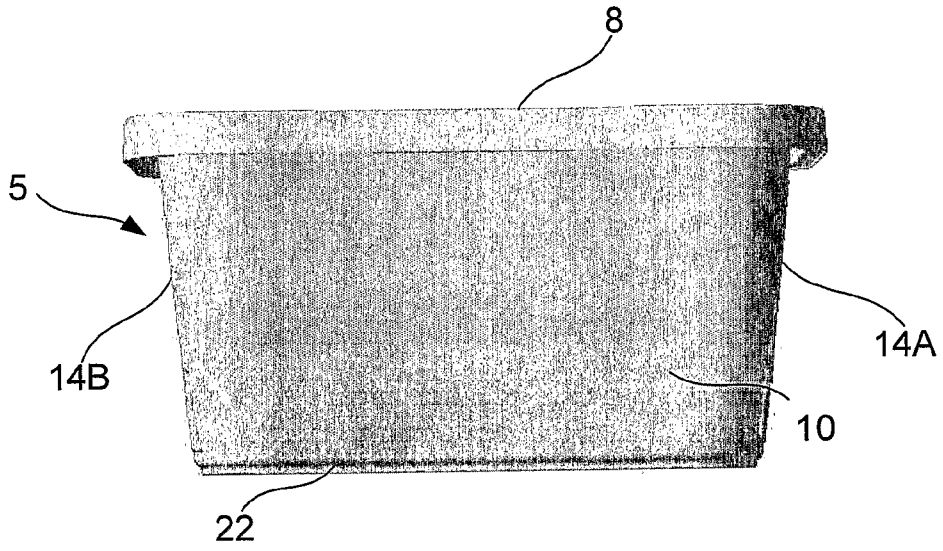


Fig. 3A

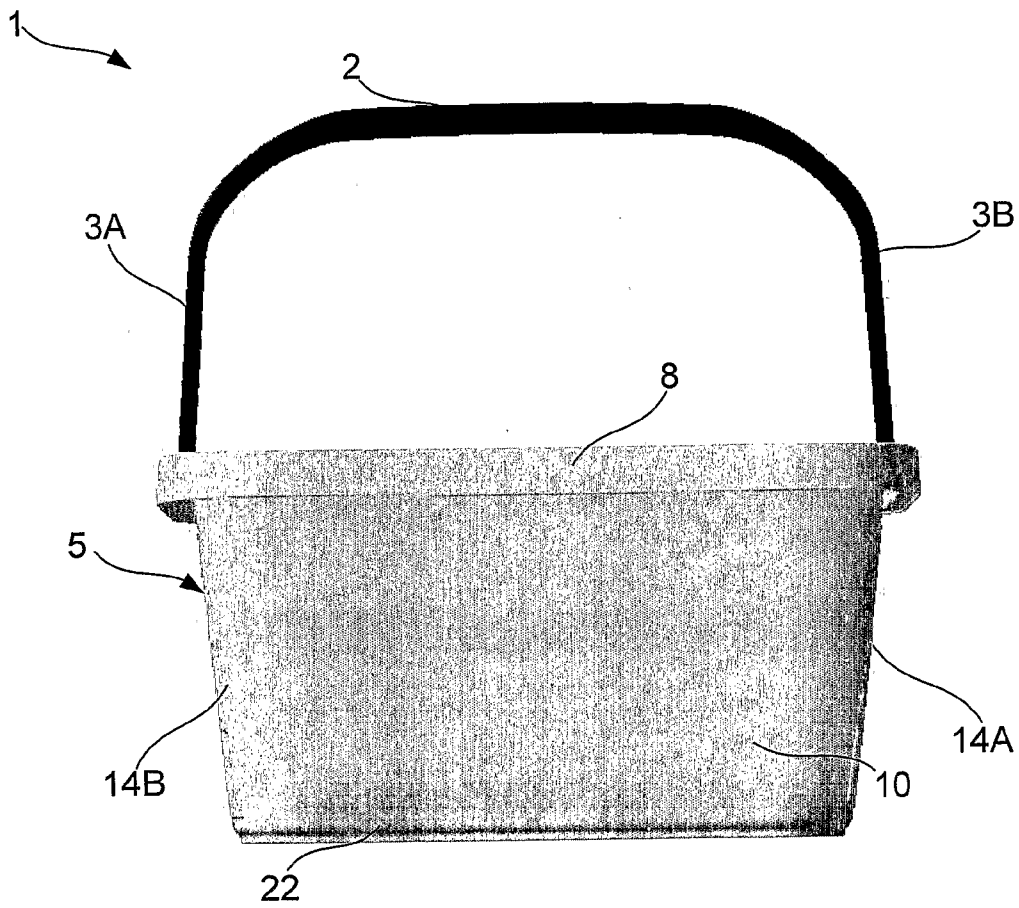


Fig. 3B

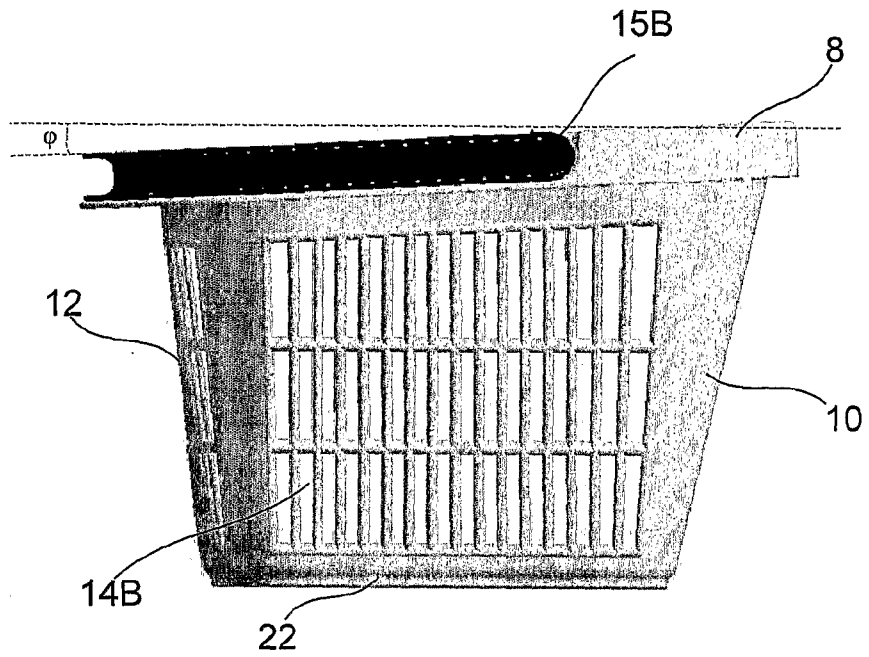


Fig. 4A

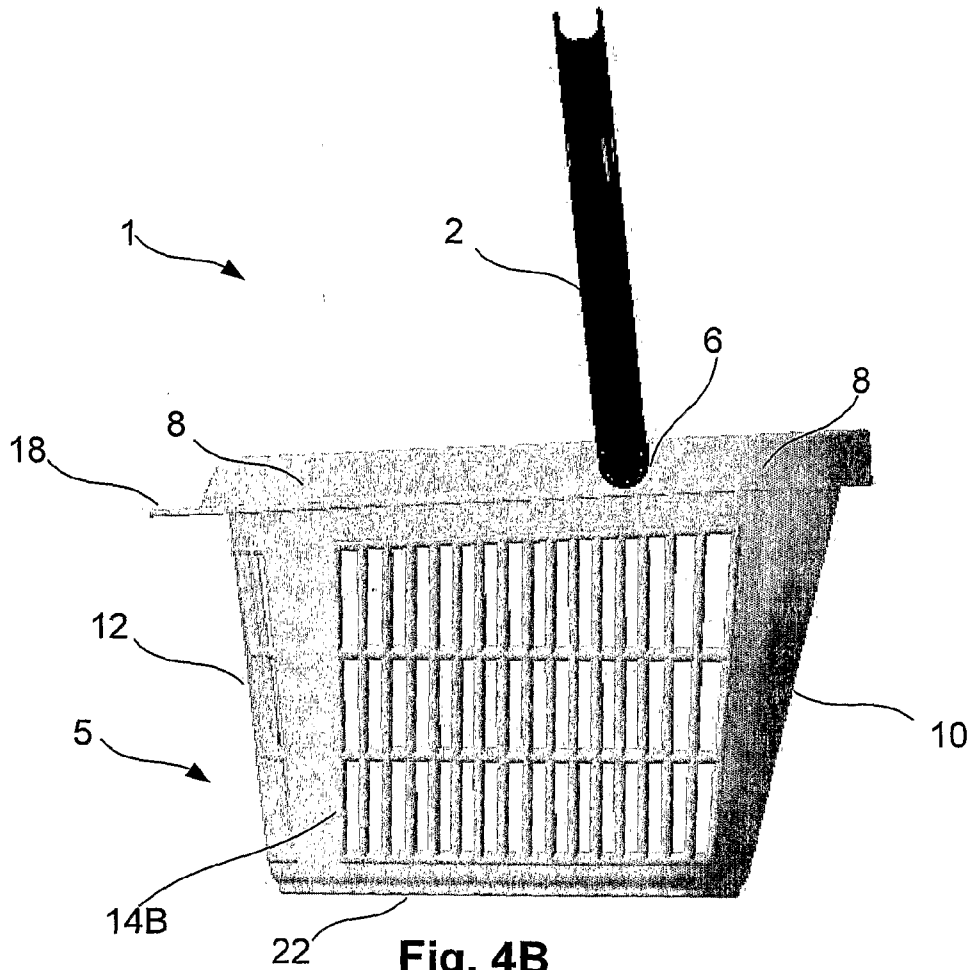


Fig. 4B

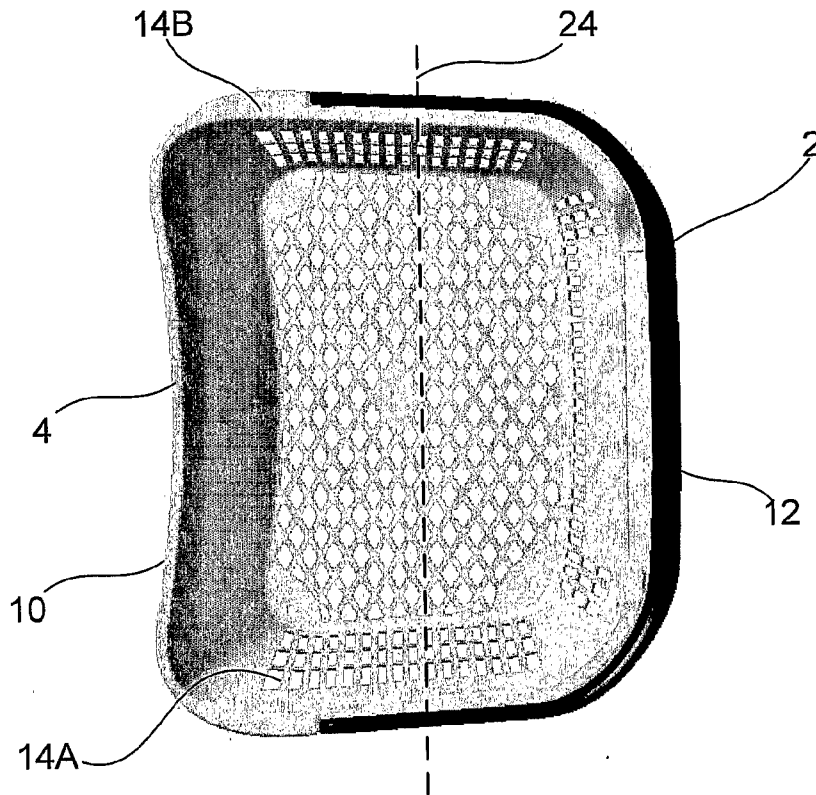


Fig. 5A

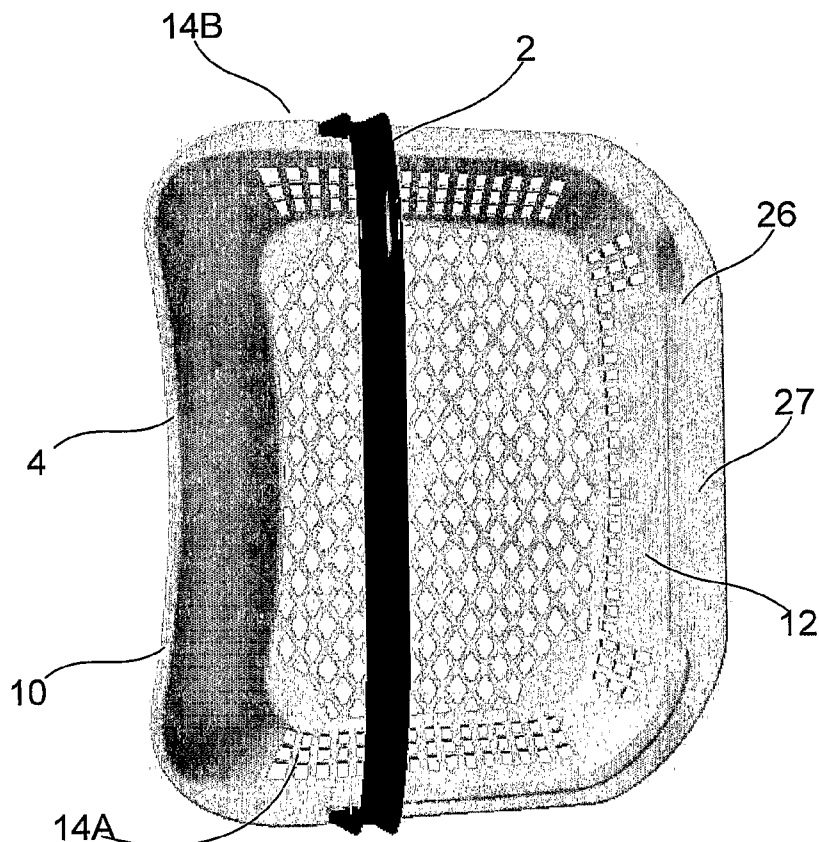
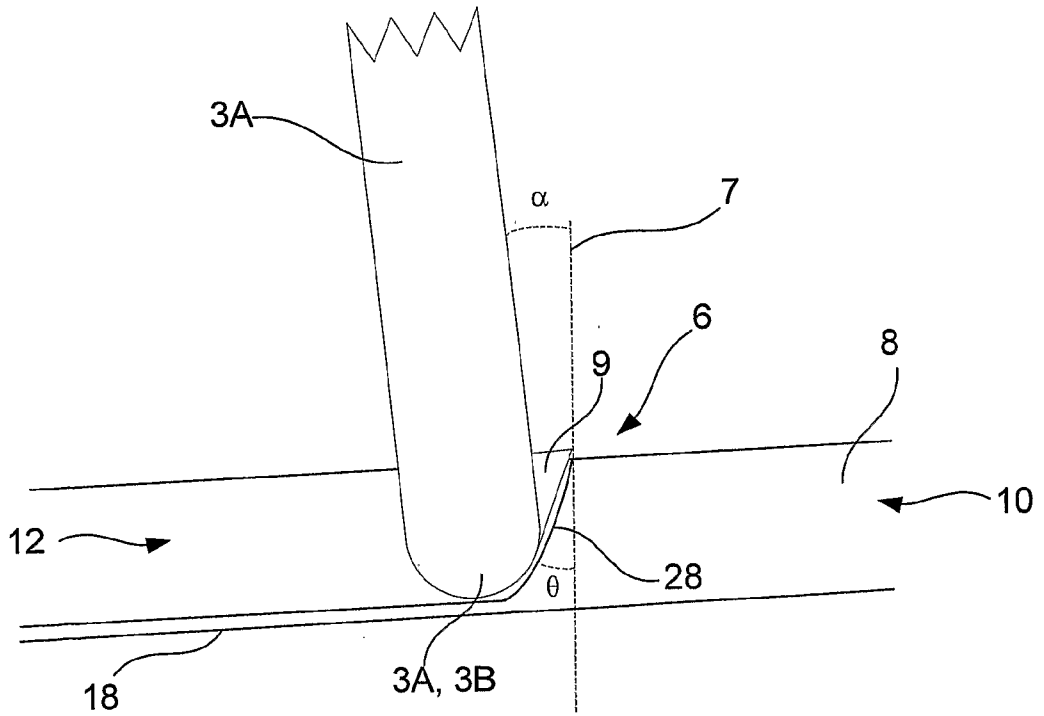
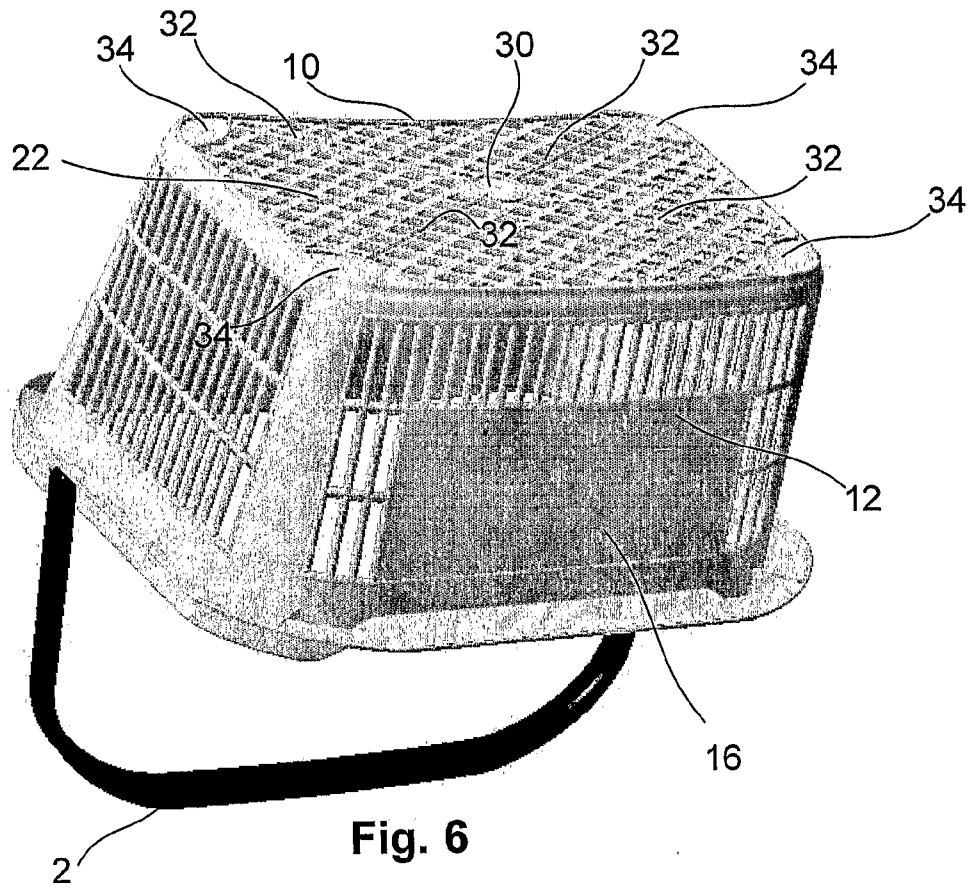


Fig. 5B



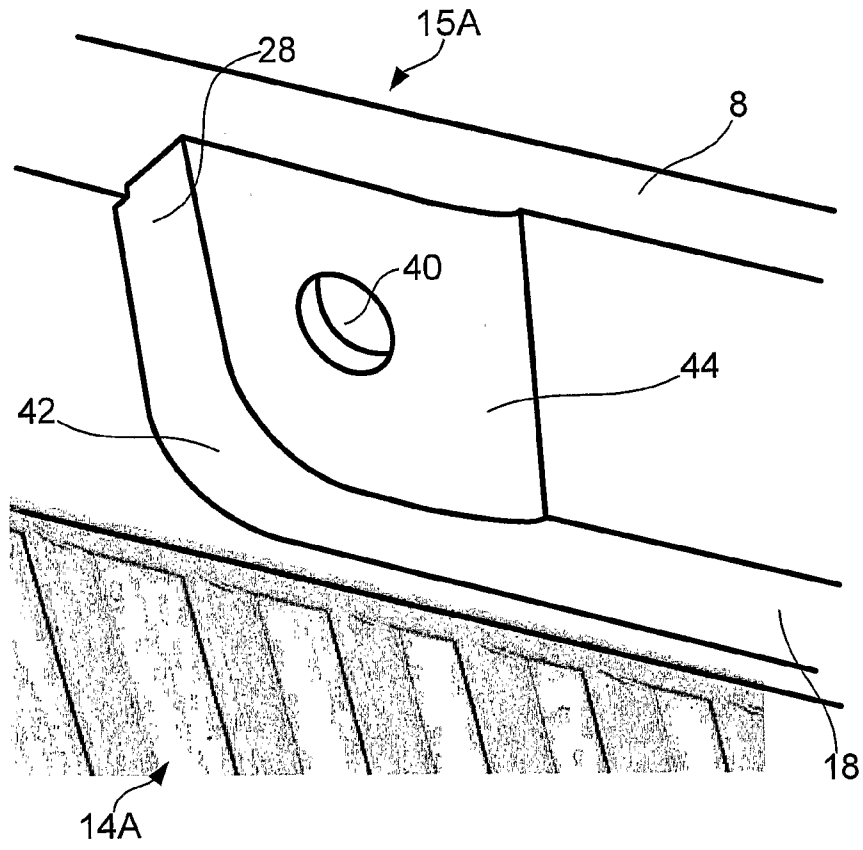


Fig. 8

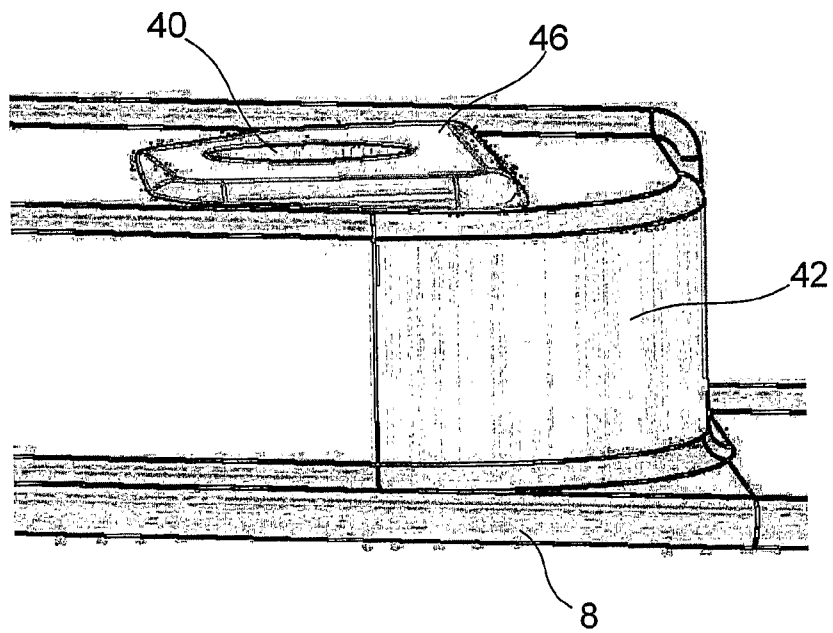


Fig. 9

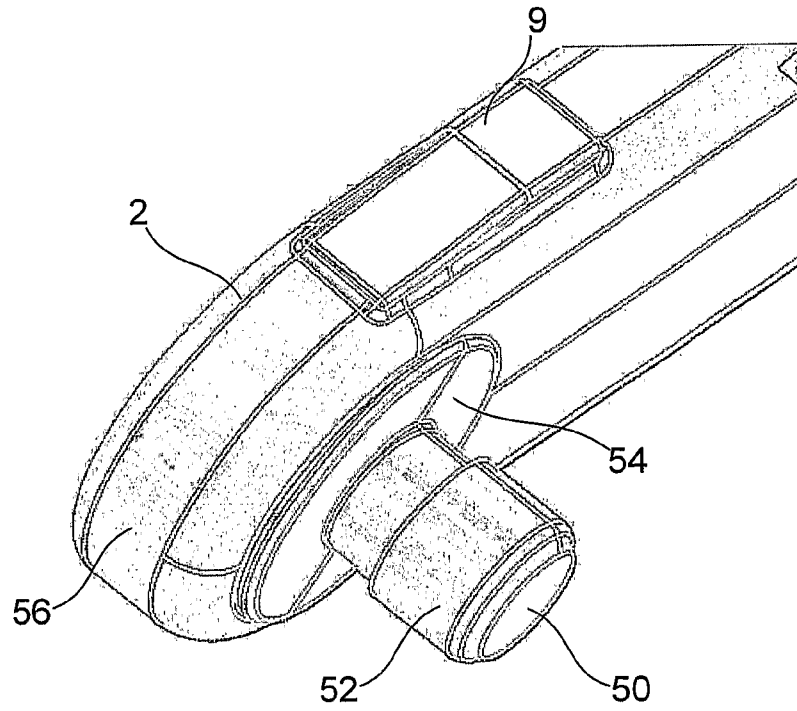


Fig. 10

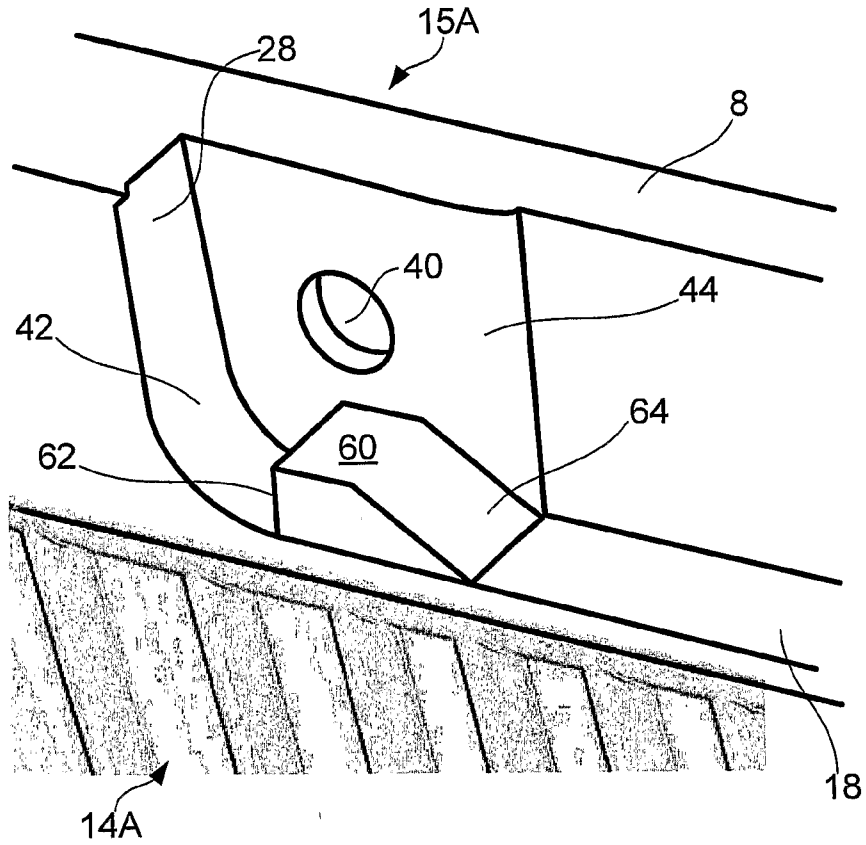


Fig. 11

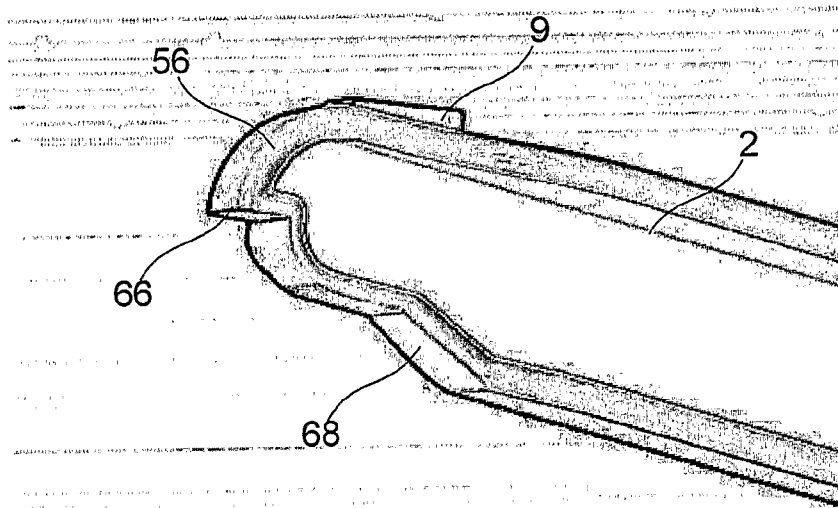


Fig. 12

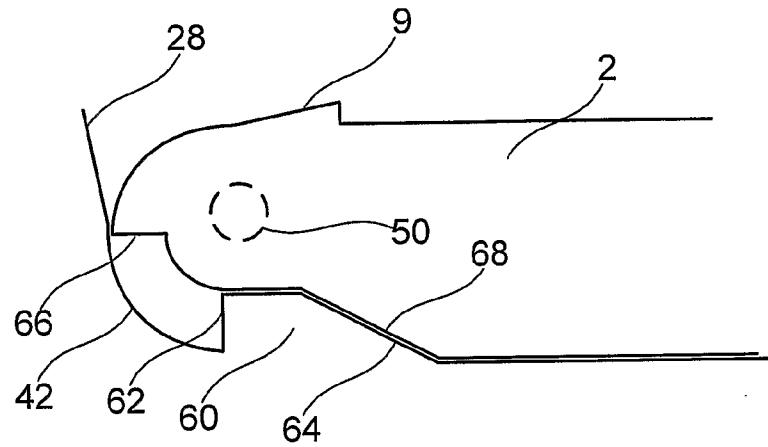


Fig. 13

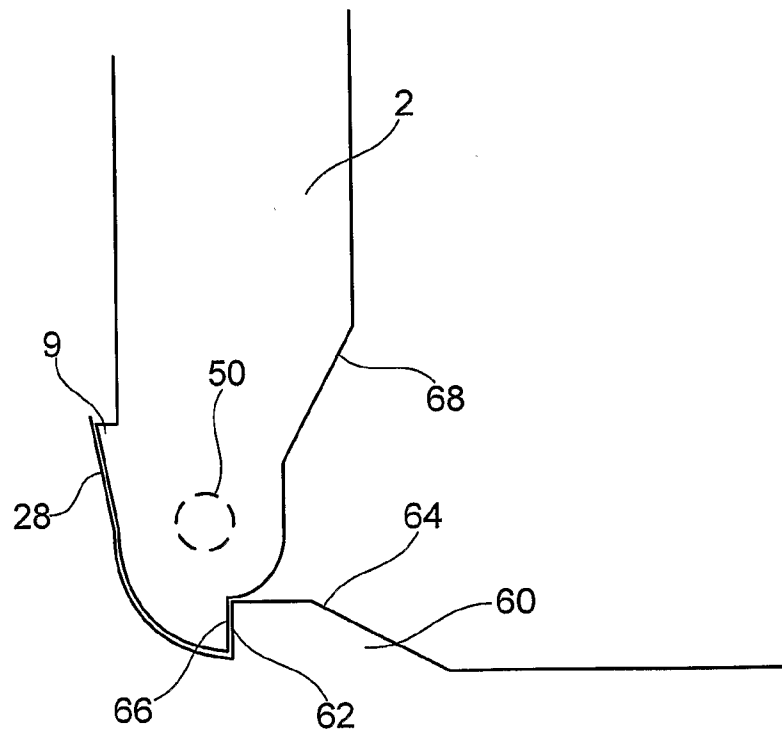


Fig. 14

INTERNATIONAL SEARCH REPORT

International application No.
PCT/AU2007/000346

A. CLASSIFICATION OF SUBJECT MATTER Int. Cl. <i>A45C 3/04</i> (2006.01) <i>A47F 10/04</i> (2006.01) <i>B65D 21/032</i> (2006.01) <i>A47F 10/02</i> (2006.01) <i>B65D 1/38</i> (2006.01) <i>B65D 25/28</i> (2006.01)		
According to International Patent Classification (IPC) or to both national classification and IPC		
B. FIELDS SEARCHED Minimum documentation searched (classification system followed by classification symbols) Refer Electronic Database consulted below.		
Documentation searched other than minimum: documentation to the extent that such documents are included in the fields searched		
Electronic data base consulted during the international search (name of data base and, where practicable, search terms used) Derwent World Patent Index: A45C, A47F-010, B65D and keywords: (SHOP+ OR MARKET+), (BASKET+ OR RECEPTACLE+ OR CARRY+ OR CARRI+), HANDLE+, (SHAP+ OR PROFIL+ OR CONFORM+ OR NUDG+), DISPLAY+, LAUNDRY+ US Class: CCL/220/760, CCL/220/761, CCL/220/762, CCL/220/763, CCL/220/764, CCL/220/765, CCL/220/766, CCL/220/769, CCL/220/773 and keyword: basket		
C. DOCUMENTS CONSIDERED TO BE RELEVANT		
Category*	Citation of document, with indication, where appropriate, of the relevant passages	Relevant to claim No.
X Y	Derwent Abstract no. 2006-120958/13, Class Q32, JP 3742954 B (JP 2006-076595 A) (KATO K) 8 February 2006 See the abstract and drawings in JP document See the abstract and drawings in JP document	1-6, 11, 19, 21, 25 7-10, 12-18, 20, 22-24, 27
X Y	Derwent Abstract no. 2004-307074/29, Class P24, EP 1407956 A (INMOBILIARIA MASIFE, S.L.) 14 April 2004 See the abstract and the whole EP document See the abstract and the whole EP document	1, 2, 6, 11, 12, 19, 25 3-5, 7-10, 13-24, 27
<input checked="" type="checkbox"/> Further documents are listed in the continuation of Box C <input checked="" type="checkbox"/> See patent family annex		
* Special categories of cited documents: "A" document defining the general state of the art which is not considered to be of particular relevance "E" earlier application or patent but published on or after the international filing date "L" document which may throw doubts on priority claim(s) or which is cited to establish the publication date of another citation or other special reason (as specified) "O" document referring to an oral disclosure, use, exhibition or other means "P" document published prior to the international filing date but later than the priority date claimed	"T" later document published after the international filing date or priority date and not in conflict with the application but cited to understand the principle or theory underlying the invention "X" document of particular relevance; the claimed invention cannot be considered novel or cannot be considered to involve an inventive step when the document is taken alone "Y" document of particular relevance; the claimed invention cannot be considered to involve an inventive step when the document is combined with one or more other such documents, such combination being obvious to a person skilled in the art "&" document member of the same patent family	
Date of the actual completion of the international search 18 April 2007	Date of mailing of the international search report 27 APR 2007	
Name and mailing address of the ISA/AU AUSTRALIAN PATENT OFFICE PO BOX 200, WODEN ACT 2606, AUSTRALIA E-mail address: pct@ipaaustralia.gov.au Facsimile No. (02) 6285 3929	Authorized officer C. NGUYEN-KIM AUSTRALIAN PATENT OFFICE (ISO 9001 Quality Certified Service) Telephone No : (02) 6283 2121	

INTERNATIONAL SEARCH REPORT

International application No.

PCT/AU2007/000346

C (Continuation). DOCUMENTS CONSIDERED TO BE RELEVANT		
Category*	Citation of document, with indication, where appropriate, of the relevant passages	Relevant to claim No.
X	WO 1999/043564 A (LINDBERG) 2 September 1999 See the whole document	1-6, 11-15, 19, 21, 25
Y	See the whole document	7-10, 16-18, 20, 22-24, 27
X	US 5715968 A (FINK et al.) 10 February 1998 See the whole document	1-6, 11-15, 19, 21, 25
Y	See the whole document	7-10, 16-18, 20, 22-24, 27
X	EP 941934 A (FLINK) 15 September 1999 See the whole document	19, 21, 23-25
Y	See the whole document	1-18, 20, 22, 27
X	Derwent Abstract no. 97-358823/33, Class Q32, JP 9 150836 A (CHO PURA KOGYO KK) 10 June 1997 See the abstract and drawings in JP document	19
Y	See the abstract and drawings in JP document	1-18, 20-25, 27
X	US 2005/0045649 A (SANDER et al.) 3 March 2005 See the whole document, particularly in reference to Fig. 7	21
Y	See the whole document, particularly in reference to Fig. 7	3-5, 11, 27
X	Derwent Abstract no. 97-023189/03, Class F07, EP 747524 A (HOFFMANN) 11 December 1996 See the abstract and the whole DE document	21
Y	See the abstract and the whole DE document	3-5, 11, 27
X	WO 2005/104070 A (STROM et al.) 3 November 2005 See the whole document	23, 25
Y	See the whole document	1-22, 24, 27
X	WO 2001/033536 A (LINDBERG) 10 May 2001 See the whole document	23, 25
Y	See the whole document	1-22, 24, 27
X	Derwent Abstract no. 2003-537865/51, P85, JP 2003200934 A See the abstract and the drawings in the JP document	23, 25
Y	See the abstract and the drawings in the JP document	1-22, 24, 27
X	Derwent Abstract no. 97-208796/19, Q32, JP 9 058691 A (AKUTO MEDIA SENSU) 4 March 1997 See the abstract and the drawings in the JP document	23, 25
Y	See the abstract and the drawings in the JP document	1-22, 24, 27
X	Derwent Abstract no. 97-175040/16, Q32, JP 9 039953 A (ADD BEST KK) 10 February 1997 See the abstract and the drawings in the JP document	23, 25
Y	See the abstract and the drawings in the JP document	1-22, 24, 27

INTERNATIONAL SEARCH REPORT

International application No.
PCT/AU2007/000346

C (Continuation) DOCUMENTS CONSIDERED TO BE RELEVANT		
Category*	Citation of document, with indication, where appropriate, of the relevant passages	Relevant to claim No.
	Derwent Abstract no. 96-329168/33, Q32, JP 8 151049 A (TOKIN CORP) 11 June 1996	
X	See the abstract and the drawings in the JP document	23, 25
Y	See the abstract and the drawings in the JP document	1-22, 24, 27
	US 4365725 A (PFEIFER) 28 December 1982	
Y	See the whole document	1 - 25, 27

INTERNATIONAL SEARCH REPORT

International application No.
PCT/AU2007/000346

Box No. II Observations where certain claims were found unsearchable (Continuation of item 2 of first sheet)

This international search report has not been established in respect of certain claims under Article 17(2)(a) for the following reasons:

1. Claims Nos.:
because they relate to subject matter not required to be searched by this Authority, namely:

2. Claims Nos.:
because they relate to parts of the international application that do not comply with the prescribed requirements to such an extent that no meaningful international search can be carried out, specifically:

3. Claims Nos.:
because they are dependent claims and are not drafted in accordance with the second and third sentences of Rule 6.4(a)

Box No. III Observations where unity of invention is lacking (Continuation of item 3 of first sheet)

This International Searching Authority found multiple inventions in this international application, as follows:

(see the supplemental sheet)

1. As all required additional search fees were timely paid by the applicant, this international search report covers all searchable claims.
2. As all searchable claims could be searched without effort justifying additional fees, this Authority did not invite payment of additional fees.
3. As only some of the required additional search fees were timely paid by the applicant, this international search report covers only those claims for which fees were paid, specifically claims Nos.:

4. No required additional search fees were timely paid by the applicant. Consequently, this international search report is restricted to the invention first mentioned in the claims; it is covered by claims Nos.:

Remark on Protest

- The additional search fees were accompanied by the applicant's protest and, where applicable, the payment of a protest fee.
- The additional search fees were accompanied by the applicant's protest but the applicable protest fee was not paid within the time limit specified in the invitation.
- No protest accompanied the payment of additional search fees.

INTERNATIONAL SEARCH REPORT

International application No.
PCT/AU2007/000346

Supplemental Box

(To be used when the space in any of Boxes I to VIII is not sufficient)

Continuation of Box No: III

This International Application does not comply with the requirements of unity of invention because it does not relate to one invention or to a group of inventions so linked as to form a single general inventive concept.

In assessing whether there is more than one invention claimed, I have given consideration to those features which can be considered to potentially distinguish the claimed combination of features from the prior art. Where different claims have different distinguishing features they define different inventions.

This International Searching Authority has found that there are different inventions as follows:

- Independent claim 1 is directed to a receptacle wherein the handle being at a location offset to a central plane of the basket and movable between an elevated and a rested position. It is considered that the location of the handle with respect to the central plane of the basket comprises a first distinguishing feature.
- Independent claim 19 is directed to a receptacle wherein the handle being substantially parallel to the near side of the basket. It is considered that the orientation of the handle with respect to the near side of the basket comprises a second distinguishing feature.
- Independent claim 21 is directed to a receptacle wherein the near side of the basket being shaped to conform to a part of the user's body. It is considered that the shape of the basket near side comprises a third distinguishing feature.
- Independent claim 23 is directed to a receptacle wherein the basket including display panels for displaying information. It is considered that the presence of display panels comprises a fourth distinguishing feature.

PCT Rule 13.2, first sentence, states that unity of invention is only fulfilled when there is a technical relationship among the claimed inventions involving one or more of the same or corresponding special technical features. PCT Rule 13.2, second sentence, defines a special technical feature as a feature which makes a contribution over the prior art.

Each of the abovementioned groups of claims has a different distinguishing feature and they do not share any feature which could satisfy the requirement for being a special technical feature. Because there is no common special technical feature it follows that there is no technical relationship between the identified inventions. Therefore the claims do not satisfy the requirement of unity of invention *a priori*.

INTERNATIONAL SEARCH REPORT

Information on patent family members

International application No.

PCT/AU2007/000346

This Annex lists the known "A" publication level patent family members relating to the patent documents cited in the above-mentioned international search report. The Australian Patent Office is in no way liable for these particulars which are merely given for the purpose of information.

Patent Document Cited in Search Report	Patent Family Member			
JP 3742954	JP	2006076595		
EP 1407956	ES	2238894		
WO 9943564	AU	26514/99	CA	2320069
			CN	1291156
	EP	1071613	NO	20004022
			SE	9800406
US 5715968	AU	42649/97	WO	9813269
EP 0941934	CA	2229191		
JP 9150836				
US 2005045649				
EP 0747524				
WO 2005104070	NO	20041597		
WO 0133536	AU	11856/01	SE	9903862
JP 2003200934				
JP 9058691				
JP 9039953				
JP 8151049				
US 4365725				
<p>Due to data integration issues this family listing may not include 10 digit Australian applications filed since May 2001.</p> <p style="text-align: right;">END OF ANNEX</p>				