

(19) World Intellectual Property Organization
International Bureau



(43) International Publication Date
17 April 2008 (17.04.2008)

PCT

(10) International Publication Number
WO 2008/045582 A3

(51) International Patent Classification:

F41G 7/00 (2006.01) **F42B 15/00** (2006.01)
F42B 15/01 (2006.01)

(21) International Application Number:

PCT/US2007/061202

(22) International Filing Date: 29 January 2007 (29.01.2007)

(25) Filing Language: English

(26) Publication Language: English

(30) Priority Data:

11/344,853 1 February 2006 (01.02.2006) US

(71) Applicant (for all designated States except US):

RAYTHEON COMPANY [US/US]; 870 Winter Street, Waltham, MA 02451-1449 (US).

(72) Inventors; and

(75) Inventors/Applicants (for US only): **WILLIAM, Darin, S.** [US/US]; 11265 E. Chuckwagon Circle, Tucson, AZ 85749-9757 (US). **PFLIBSEN, Kent, P.** [US/US]; 1932 E. 10th Street, Tucson, AZ 85719-5922 (US). **CRAWFORD, Thomas, M.** [US/US]; 12954 N. Cactus Bluff Place, Marana, AZ 85653-4246 (US).

(74) Agent: **GILMORE, Douglas, W.**; Noblitt & Gilmore, LLC, 4800 North Scottsdale Road, Suite 6000, Scottsdale, AZ 85251 (US).

(81) Designated States (unless otherwise indicated, for every kind of national protection available):

AE, AG, AL, AM, AT, AU, AZ, BA, BB, BG, BR, BW, BY, BZ, CA, CH, CN, CO, CR, CU, CZ, DE, DK, DM, DZ, EC, EE, EG, ES, FI, GB, GD, GE, GH, GM, GT, HN, HR, HU, ID, IL, IN, IS, JP, KE, KG, KM, KN, KP, KR, KZ, LA, LC, LK, LR, LS, LT, LU, LV, LY, MA, MD, ME, MG, MK, MN, MW, MX, MY, MZ, NA, NG, NI, NO, NZ, OM, PG, PH, PL, PT, RO, RS, RU, SC, SD, SE, SG, SK, SL, SM, SV, SY, TJ, TM, TN, TR, TT, TZ, UA, UG, US, UZ, VC, VN, ZA, ZM, ZW.

(84) Designated States (unless otherwise indicated, for every kind of regional protection available):

ARIPO (BW, GH, GM, KE, LS, MW, MZ, NA, SD, SL, SZ, TZ, UG, ZM, ZW), Eurasian (AM, AZ, BY, KG, KZ, MD, RU, TJ, TM), European (AT, BE, BG, CH, CY, CZ, DE, DK, EE, ES, FI, FR, GB, GR, HU, IE, IS, IT, LT, LU, LV, MC, NL, PL, PT, RO, SE, SI, SK, TR), OAPI (BF, BJ, CF, CG, CI, CM, GA, GN, GQ, GW, ML, MR, NE, SN, TD, TG).

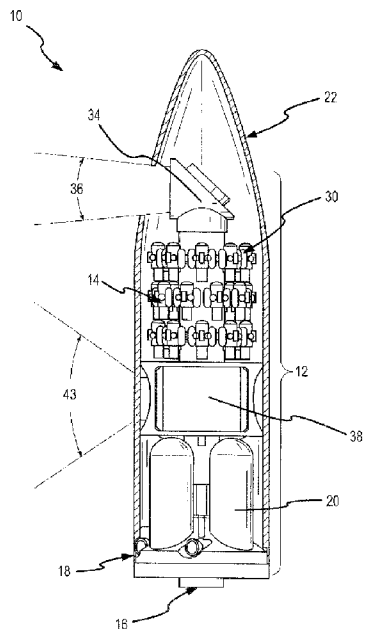
Published:

— with international search report

(88) Date of publication of the international search report:

6 November 2008

(54) Title: MULTIPLE KILL VEHICLE (MKV) INTERCEPTOR AND METHOD FOR INTERCEPTING EXO AND ENDO-ATMOSPHERIC TARGETS



(57) Abstract: By sharing tasks between the carrier vehicle (12) and the kill vehicles (14), the multiple kill vehicle interceptor (10) provides a missile defence system capable of intercepting and killing multiple targets. The control sensor (38) is placed on the carrier vehicle (12) and provides target acquisition, discrimination, and mid-course guidance for all of the kill vehicles (14).

WO 2008/045582 A3

INTERNATIONAL SEARCH REPORT

International application No.

PCT/US07/61202

A. CLASSIFICATION OF SUBJECT MATTER

IPC: **F41G 7/00**(2006.01);**F42B 15/01**(2006.01)
F42B 15/00(2006.01)

USPC: 244/3.1,3.11,3.15;89/1.11;342/61,62

According to International Patent Classification (IPC) or to both national classification and IPC

B. FIELDS SEARCHED

Minimum documentation searched (classification system followed by classification symbols)

U.S. : 244/3.1-3.3; 89/1.11; 342/61-68; 701/200, 207, 213-216, 220-226, 300-302; 102/473, 475, 476, 489

Documentation searched other than minimum documentation to the extent that such documents are included in the fields searched

Electronic data base consulted during the international search (name of data base and, where practicable, search terms used)

C. DOCUMENTS CONSIDERED TO BE RELEVANT

| Category * | Citation of document, with indication, where appropriate, of the relevant passages | Relevant to claim No. |
|------------|--|-----------------------|
| A | US 5,260,709 A (NOWAKOWSKI) 09 November 1993 (09.11.1993), see abstract. | 1-10 |
| A | US 2001/0025901 A1 (FRUCHT) 04 October 2001 (04.10.2001), see abstract. | 1-10 |
| A | US 6,481,666 B2 (FRUCHT) 19 November 2002 (19.11.2002), see abstract. | 1-10 |
| A | US 6,549,158 B1 (HANSON) 15 April 2003 (15.04.2003), see abstract. | 1-10 |
| A | US 6,563,450 B1 (WALLACE) 13 May 2003 (13.05.2003), see abstract. | 1-10 |
| A | US 6,603,421 B1 (SCHIFF et al.) 05 August 2003 (05.08.2003), see abstract. | 1-10 |
| A | US 2004/0169107 A1 (SPATE et al.) 02 September 2004 (02.09.2004), see abstract. | 1-10 |

Further documents are listed in the continuation of Box C.

See patent family annex.

* Special categories of cited documents:

"A" document defining the general state of the art which is not considered to be of particular relevance

"T" later document published after the international filing date or priority date and not in conflict with the application but cited to understand the principle or theory underlying the invention

"E" earlier application or patent published on or after the international filing date

"X" document of particular relevance; the claimed invention cannot be considered novel or cannot be considered to involve an inventive step when the document is taken alone

"L" document which may throw doubts on priority claim(s) or which is cited to establish the publication date of another citation or other special reason (as specified)

"Y" document of particular relevance; the claimed invention cannot be considered to involve an inventive step when the document is combined with one or more other such documents, such combination being obvious to a person skilled in the art

"O" document referring to an oral disclosure, use, exhibition or other means


"P" document published prior to the international filing date but later than the priority date claimed

"&" document member of the same patent family

Date of the actual completion of the international search
29 May 2008 (29.05.2008)

Date of mailing of the international search report
22 AUG 2008

Name and mailing address of the ISA/US
Mail Stop PCT, Attn: ISA/US
Commissioner for Patents
P.O. Box 1450
Alexandria, Virginia 22313-1450
Facsimile No. (571) 273-3201

Authorized officer
Bernarr E. Gregory 
Telephone No. (571) 272-3600

INTERNATIONAL SEARCH REPORT

International application No.
PCT/US07/61202

C (Continuation). DOCUMENTS CONSIDERED TO BE RELEVANT

| Category * | Citation of document, with indication, where appropriate, of the relevant passages | Relevant to claim No. |
|------------|--|-----------------------|
| A | US 6,817,568 B2 (SPATE et al.) 16 November 2004 (16.11.2004), see abstract. | 1-10 |