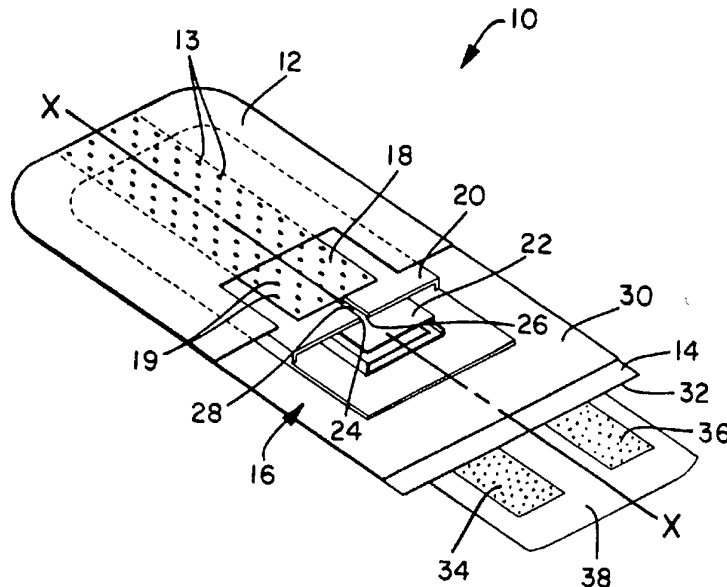




INTERNATIONAL APPLICATION PUBLISHED UNDER THE PATENT COOPERATION TREATY (PCT)

<p>(51) International Patent Classification⁵ : A61F 13/15, 13/46</p>	<p>A1</p>	<p>(11) International Publication Number: WO 94/26220 (43) International Publication Date: 24 November 1994 (24.11.94)</p>
<p>(21) International Application Number: PCT/US94/05007 (22) International Filing Date: 5 May 1994 (05.05.94) (30) Priority Data: 08/058,247 12 May 1993 (12.05.93) US (71) Applicant: KIMBERLY-CLARK CORPORATION [US/US]; 401 North Lake Street, Neenah, WI 54956 (US). (72) Inventors: COUTURE-DORSCHNER, Laurie; 225 Lakeview Avenue, Hortonville, WI 54944 (US). KING, David, Russell; 520 Pleasant Court, Neenah, WI 54956 (US). NICHOLS, Anne, Marie; 159 Baldwin Court, Appleton, WI 54911 (US). GILMAN, Thomas, Harry; 2156 Sunrise Drive, Appleton, WI 54915 (US). FINCH, Valerie, Victoria; 2052 Henry Street, Neenah, WI 54956 (US). (74) Agents: CONNELLY, Thomas, J. et al.; Kimberly-Clark Corporation, 401 North Lake Street, Neenah, WI 54956 (US).</p>		<p>(81) Designated States: AT, AU, BB, BG, BR, BY, CA, CH, CN, CZ, DE, DK, ES, FI, GB, HU, JP, KP, KR, KZ, LK, LU, LV, MG, MN, MW, NL, NO, NZ, PL, PT, RO, RU, SD, SE, SK, UA, UZ, VN, European patent (AT, BE, CH, DE, DK, ES, FR, GB, GR, IE, IT, LU, MC, NL, PT, SE), OAPI patent (BF, BJ, CF, CG, CI, CM, GA, GN, ML, MR, NE, SN, TD, TG). Published <i>With international search report. Before the expiration of the time limit for amending the claims and to be republished in the event of the receipt of amendments.</i></p>

(54) Title: ABSORBENT ARTICLE HAVING ENHANCED WICKING CAPABILITY



(57) Abstract

An absorbent article is disclosed which exhibits enhanced wicking capability. The absorbent article includes a liquid-permeable cover, a liquid-impermeable baffle and an absorbent enclosed therebetween. The absorbent is constructed of first, second and third members. Each member has a wicking capability for body fluids discharged by a human body. The first member has a high wicking capability, the second member has a lower wicking capability than the first member, and the third member has a higher wicking capability than the second member. The different wicking capabilities of the three members promote a systematic distribution of body fluid away from the body-side cover down into the absorbent article. The second member also has an equal or greater width than either the first or third members so as to provide a visual cue of when the absorbent article is in need of changing. By changing the absorbent article when the second member appears to be soiled, the user can prevent side leakage and soiling of an adjacent undergarment.

FOR THE PURPOSES OF INFORMATION ONLY

Codes used to identify States party to the PCT on the front pages of pamphlets publishing international applications under the PCT.

AT	Austria	GB	United Kingdom	MR	Mauritania
AU	Australia	GE	Georgia	MW	Malawi
BB	Barbados	GN	Guinea	NE	Niger
BE	Belgium	GR	Greece	NL	Netherlands
BF	Burkina Faso	HU	Hungary	NO	Norway
BG	Bulgaria	IE	Ireland	NZ	New Zealand
BJ	Benin	IT	Italy	PL	Poland
BR	Brazil	JP	Japan	PT	Portugal
BY	Belarus	KE	Kenya	RO	Romania
CA	Canada	KG	Kyrgystan	RU	Russian Federation
CF	Central African Republic	KP	Democratic People's Republic of Korea	SD	Sudan
CG	Congo	KR	Republic of Korea	SE	Sweden
CH	Switzerland	KZ	Kazakhstan	SI	Slovenia
CI	Côte d'Ivoire	LI	Liechtenstein	SK	Slovakia
CM	Cameroon	LK	Sri Lanka	SN	Senegal
CN	China	LU	Luxembourg	TD	Chad
CS	Czechoslovakia	LV	Latvia	TG	Togo
CZ	Czech Republic	MC	Monaco	TJ	Tajikistan
DE	Germany	MD	Republic of Moldova	TT	Trinidad and Tobago
DK	Denmark	MG	Madagascar	UA	Ukraine
ES	Spain	ML	Mali	US	United States of America
FI	Finland	MN	Mongolia	UZ	Uzbekistan
FR	France			VN	Viet Nam
GA	Gabon				

ABSORBENT ARTICLE HAVING ENHANCED WICKING CAPABILITY

FIELD OF THE INVENTION

5 This invention relates to an absorbent article for absorbing body fluid especially menses and blood. More particularly, this invention relates to an absorbent article having an absorbent which is constructed of three members, each having a predetermined wicking capability.

10

BACKGROUND OF THE INVENTION

 An absorbent article refers to products such as diapers, sanitary napkins, training pants, incontinent garments, overnight pads, panty liners, underarm shields, and the like which are used to
15 absorb body fluid, such as urine, menses, blood, perspiration, and other excrements discharged by a body. Sanitary napkins, also referred to as catamenial pads, feminine pads, overnight pads, panty liners and panty shields are designed to be worn by a female to absorb menses and other body fluids discharged before, during and
20 after a menstrual period. Such products are external devices which are generally held in position by a garment attachment adhesive or by a mechanical attachment to an adjacent undergarment. Such products differ from tampons which are classified as internal devices and which are designed to be physically inserted into a woman's vagina.

25 Functionally, sanitary napkins and overnight pads differ from panty liners and panty shields in that they are generally constructed to absorb a greater quantity of body fluid and are designed to be worn for a longer period of time.

In order to adequately perform their function, modern catamenial products are constructed of highly absorbent materials. However, if any absorbent material is utilized up to the point where it becomes fully saturated, there is a possibility that leakage of body fluid could occur. Such leakage could stain the user's clothing. Many times, leakage occurs before the absorbent is near its maximum absorbent capacity because only a small portion of the absorbent is utilized. It is therefore, desirable to construct an absorbent article which has the capability to rapidly wick the fluid to a large portion of the absorbent so as to prevent premature side leakage.

It is also desirable to construct an absorbent article which can supply a pre-use visual signal to the user that the body fluid which entered the article will stay in the center thereof. A post-use visual signal is also beneficial in letting the user know that the fluid has remained in the center of the absorbent article thereby reinforcing the pre-use visual signal. The post-use visual signal also lets the user know that the article may be approaching its saturation limit and that it may be time to change the article.

Therefore, there is a need to provide an absorbent article which can rapidly wick fluid throughout the absorbent and which can provide the user with a post-use visual signal to determine if it is near its absorption limits. If the absorbent article is close to its limit, the user could then replace the product before leakage occurs.

Another important aspect of a catamenial product is its ability to wick menses. Menses is very viscous and can contain small particles of body tissue which tend to cling to the cover and can restrict the passage of additional body fluid into the absorbent article. Manufacturers of sanitary napkins are always on the lookout for a new material or a synergistic effect of rearranging known materials to obtain a structure which has improved wicking capabilities.

Now an absorbent article has been invented which has rapid wicking capability within the absorbent, as well as providing both a pre-use visual signal showing that the fluid will stay in the center of the article and a post-use visual signal indicating when the article is approaching its saturation limit.

SUMMARY OF THE INVENTION

Briefly, this invention relates to an absorbent article having an absorbent constructed of first, second and third members. Each member has a wicking capability for menses, blood and other fluids discharged by a human body. The first member has a high wicking capability and provides a pre-use visual signal showing that the fluid will stay in the center of the article. The second member has a lower wicking capability than the first member, and the third member has a higher wicking capability than the second member. The different wicking capabilities of the three members promotes a systematic distribution of body fluid away from the bodyside cover down into the absorbent article. The second member also has an equal or greater width than either the first or third members so as to provide a post-use visual signal indicating when the article is approaching it's saturation limit. By changing the absorbent article when the second member appears to be soiled, the user can prevent side leakage and soiling of an adjacent undergarment. The second member also has a basis weight of less than about 300 grams per square meter (gsm) so that the user can visually observe that the fluid is being pulled into the third member.

The general object of this invention is to provide an absorbent article for absorbing body fluids, especially menses and blood. A more specific object of this invention is to provide an absorbent article, such as a sanitary napkin, which provides both a pre-use and a post-use visual signal to the user.

Another object of this invention is to provide a thin absorbent article having a thickness of less than 15 millimeters and which has a high level of comfort while providing rapid fluid intake.

Still another object of this invention is to provide an absorbent article which exhibits enhanced wicking and control of body fluid within the absorbent article.

A further object of this invention is to provide an absorbent article, such as a sanitary napkin or a panty liner, which provides a post-use visual signal to the user indicating when the article is approaching it's saturation limit.

Still another object of this invention is to provide an absorbent article which has a line of flexure which allows the article to conform and stay in intimate contact with the user's body.

Other objects and advantages of the present invention will
5 become more apparent to those skilled in the art in view of the following description and the accompanying drawings.

BRIEF DESCRIPTION OF THE DRAWINGS

Fig. 1 is a cut away, perspective view of an absorbent
10 article, having an absorbent constructed of three members having predetermined wicking capabilities and wherein the third member is positioned within the second member.

Fig. 2 is a cut away, perspective view of an absorbent
15 article, similar to that shown in Fig. 1 and further including a pair of outwardly extending side tabs.

Fig. 3 is a cut away, perspective view of an absorbent
article, having three absorbent members wherein the second member is C-folded about the third member and has a longitudinal gap which faces away from the first member.

20 Fig. 4 is a cut away, perspective view of an absorbent article, having three absorbent members wherein the second member is C-folded and has a longitudinal gap which faces the first member and the third member is positioned below the second member.

Fig. 5 is a cut away, perspective view of an absorbent
25 article, having three absorbent members wherein the wider second member is positioned below both the first and third members.

Fig. 6 is a cut away, perspective view of an absorbent
article, having an absorbent constructed of four separate and
distinct members.

30

DETAILED DESCRIPTION OF THE PREFERRED EMBODIMENT

Referring to Fig. 1, an absorbent article 10 is shown which is capable of absorbing body fluid. The absorbent article can be a
diaper, a training pant, a sanitary napkin, a panty liner, an
35 overnight pad, an incontinent garment, an underarm shield or any other known disposable product capable of absorbing urine, menses,

blood, perspiration, excrement or other fluid discharged by a human body. For purpose of discussion, the absorbent article 10 will be described in terms of a sanitary napkin.

The absorbent article 10 includes a liquid-permeable cover 12, a liquid-impermeable baffle 14 and an absorbent 16 enclosed therebetween. The liquid-permeable cover 12 is designed to contact the body of the user and can be constructed of a woven or nonwoven material. The cover 12 can be constructed from natural or synthetic materials and should be easily penetrated by body fluid. Suitable materials include bonded carded webs of polyester, polypropylene, polyethylene, nylon or other heat-bondable fibers. Other polyolefins, such as copolymers of polypropylene and polyethylene, linear low-density polyethylene, finely-perforated film webs and net material, also work well. The cover 12 can also be constructed of a thermoplastic film which contains apertures and is flanked on both sides by a nonwoven material. This particular embodiment provides a soft feel against the user's thighs while allowing body fluid to rapidly pass therethrough.

In order to facilitate movement of body fluid down into the absorbent article 10, one could form a plurality of apertures 13 in the cover 12. The apertures 13 can be randomly or uniformly arranged throughout the cover 12, or they can be located only in a narrow longitudinal band or strip arranged along the longitudinal axis X--X of the absorbent article 10. The apertures 13 permit rapid penetration of the body fluid down into the absorbent 16. The size, shape, diameter and number of apertures can vary to suit one's particular needs.

The liquid-impermeable baffle 14 is designed to permit the passage of air or vapor out of the absorbent article 10 while blocking the passage of liquids. The baffle 14 can be made from any material having the above-identified properties. A good material is a micro-embossed, polymeric film, such as polyethylene or polypropylene. Bi-component films can also be used. A preferred material is polyethylene film. Most preferably, the baffle 14 will be a polyethylene film having a thickness in the range of about 0.2 to about 2.0 millimeters (mm), preferably about 0.3-1.0 mm.

The cover 12 and the baffle 14 can be coextensive and in face to face contact around the periphery of the absorbent 16. The cover 12 and the baffle 14 can be sealed together about their peripheries by use of an adhesive, by heat sealing, by ultrasonics, or by any other process known to those in the art.

The absorbent 16 consists of at least three separate and distinct members 18, 20 and 22, each having a predetermined wicking capability. The first member 18 is positioned immediately below the cover 12 and is aligned along the central longitudinal axis X--X of the absorbent article 10. The first member 18 provides a pre-use visual signal to the user that the body fluid will stay in the center of the absorbent article. The first member 18 can also have a high wicking capability, especially for menses, and can be comprised of a fine pore, highly pigmented fabric. The first member 18 is of a different color, and preferably darker, than the cover 12 and/or the second member 20. Peach, pink or blue offers a good pre-use visual signal that the fluid will stay in the center of the absorbent article 10. The first member 18 can alternatively be a coating or layer of ink deposited on a surface of the cover 12 or on a surface of the second member 20. For the purpose of discussion, the first member 18 will be described as an absorbent member having wicking properties.

Meltblown works well for the first member 18, for it has excellent menses distribution properties. A description of meltblown is taught in U.S. Patent 4,798,603 issued to Meyer et al. and assigned to the present assignee. This patent is incorporated by reference and made a part hereof.

The first member 18 can be in the shape of a rectangular strip, having a length equal to or less than the overall length of the absorbent article 10, and a width less than the width of the absorbent article 10. A length of between about 6 to about 12 inches (about 152 to about 304 mm) and a width of between about 0.5 to about 2 inches (about 12 to about 25.4 mm) works well. Preferably, the first member 18 has a length approximately equal to the length of the absorbent article 10, and a width of between about 1 to about 1.5 inches (about 25.4 mm to about 38.1 mm), most preferably about 1.25 inches (about 31.75 mm).

The first member 18 should be capable of controlling the longitudinal and transverse movement of the body fluid which is delivered to the cover 12. Since the first member 18 is narrower than the absorbent article 10, the sides of the first member 18 are spaced away from the longitudinal side edges of the absorbent
5 article 10, and the body fluid is restricted to the area within the periphery of the first member 18, before it passes down into the second member 20. This design enables the body fluid to be confined to the central area of the absorbent article 10, and to be wicked
10 lengthwise so that a greater quantity of the second member 20 can be utilized.

In order to facilitate movement of body fluid down into the absorbent article 10, one could form a plurality of apertures 19 in the first member 18. Some or all of the apertures 19 formed in the
15 cover 12 and the apertures 19 formed through the first member 18 can be axially aligned so as to rapidly allow the body fluid to penetrate down into the absorbent 16. The size, shape, diameter and number of apertures 19 can vary to suit one's particular needs. The apertures 19 can be uniformly or randomly arranged throughout all or
20 a portion of the upper surface of the first member 18.

The second member 20 is positioned below the first member 18 and has a lower wicking capability, especially for menses, than the first member 18 when the first member 18 is an absorbent having wicking properties. The second member 20 can have a length of
25 between about 6 to about 12 inches (about 152 to about 304 mm). Preferably, the first member 18 has a length approximately equal to the length of the absorbent article 10. The second member 20 can be equal in width to the first member 18 but preferably will be wider. The width of the second member 20 can be between about 2 to about
30 3 inches (about 50.8 to about 76.2 mm), preferably about 2.5 inches (about 63.5 mm). A width greater than about 3 inches (about 76.2 mm) can cause discomfort to some users.

The second member 20 can be a hydrophilic material formed from various types of natural or synthetic fibers, including cellulose
35 fibers, surfactant treated meltblown fibers, wood pulp fibers, regenerated cellulose or cotton fibers, or a blend of pulp and other fibers. Preferably, the second member 20 is formed from a material

having a large pore structure and exhibits both wet and dry resiliency to ensure comfort and protection. Coform and air-laid fabric are two materials that work well as the second member. Coform is an air-formed blend of meltblown fibers and pulp fibers. The formation of such material is disclosed in U.S. Patent 4,100,324 which issued to Anderson et al. This patent is incorporated by reference and made a part hereof. A coform mixture of about 60 percent cellulose fibers with about 40 percent polypropylene meltblown fibers, works well.

10 An air-laid fabric also works well for the second member 20. A commercially available air-laid fabric is Airtex® 395 sold by James River Corporation located at 500 Day St., P.O. Box 23790, Green Bay, Wisconsin 54309-3790. Airtex® 395 is 100% virgin softwood held together by an acrylic binder.

15 The second member 20 can also contain thermoplastic polymers which can be permanently deformed by the application of heat and pressure. Such materials include polypropylene, nylon, polyethylene, polyesters, etc. Typical of such materials are bonded carded webs, spunbond fabrics, air-laid fabrics with thermally fusible binder fibers.

20 As shown in Fig. 1, the second member 20 is C-folded and has two oppositely aligned, longitudinal edges 24 and 26 which are spaced apart, preferably forming a longitudinal gap or groove 28 therebetween. The C-fold enables the second member 20 to flex thereby allowing the absorbent article 10 to conform and stay in intimate contact with a user's body, approximate the pudendum. It is a known fact, that if an absorbent article can be kept in constant contact with the body, that the likelihood of leakage is greatly minimized. Even though Fig. 1 shows a gap 28, it should be noted that the two edges 24 and 26 can slightly overlap one another or even abut one another, and still accomplish the same function as when they are spaced slightly apart. Preferably, the gap 28 can range between 0 to about .375 inches (about 10 mm).

When the gap 28 is present, an added feature is provided in that body fluid, present in the first member 18, has a direct route to the third member 22, which is located within the C-folded second member 20. This unobstructive pathway is especially useful when the body fluid is menses, because there is provided a clear path to allow the movement of the viscous fluid from the first member 18 down into the third member 22. A pathway which allows for rapid penetration of the body fluid into the center of the absorbent 16, is highly advantageous in keeping the cover 12 dry and providing for a no leak product.

The third member 22 is positioned within the C-folded second member 20 and has a higher wicking capability than the second member 20. Preferably, the third member 22 will have a wicking capability, even higher than the first member 18. The third member 22 can consist of one or more layers of tissue, a folded tissue or a meltblown material which exhibits excellent fluid distribution properties. As shown in Fig. 1, an E-folded, wet-laid and through-dried creped tissue works well in that it is easy to manufacture and fold. The tissue can be formed from hardwood and/or softwood fibers. The tissue has a fine pore structure and provides an excellent wicking capability, especially for menses. The third member 22 can have a width approximately equal to, less than or greater than the width of the first member 18. Practically speaking, the third member 22 can have a width ranging from between about .75 to about 2.25 inches (about 19 mm to about 76.2 mm). It should be noted that the third member 22 can have a width equal to the width of the second member 20 if desired. The length of the third member 22 can range from between about 5 to about 12 inches (about 127 mm to about 304 mm). It should be noted that for an article larger than a sanitary napkin, the size of the third member 22 can be proportionally sized. The length of the third member 22, can be equal to or less than the length of the second member 20, preferably slightly less than the second member 20.

The first absorbent member 18 can serve as a fluid distribution member to allow the body fluid to be distributed in a controlled manner along the length of the absorbent article 10. The second member 20 initially transfers fluid from the first member 18

into the third member 22. The third member 22 then wicks the fluid along its length and width before releasing the fluid to the second member 20. Therefore, the third member 22 can become completely saturated before the fluid is taken up by the second member 20. This action provides a good post-use visual signal to the user that the fluid is staying in the center of the absorbent article 10 thereby reinforcing the pre-use visual signal initially conveyed to the user. The fluid is therefore being wicked uniformly along both the first and third members, 18 and 22 respectively, keeping the fluid in the center of the absorbent article 10. When the user notices that the wider, second member 20 is discolored with body fluid, she knows that it is approaching time to change the absorbent article 10.

The absorbent article 10 also contains a wet resilient member 30, which is positioned between the second member 20 and the liquid-impermeable baffle 14. The wet resilient member 30 can be a closed cell, polyethylene foam presently commercially sold by Sealed Air Corporation, 7110 Santa Fe Drive, Hodgkins, Illinois 60525. The foam is sold as Cell-Aire®, CA-30 having a thickness of about 1/32 of an inch (about 0.8 mm), with a density of 1.2 pounds per cubic foot, a width of 60 inches, and on rolls having a linear length of 2000 feet (615 meters). Another polyethylene foam that is also suitable for the wet resilient member 30, is sold by Ametek Microfoam Division, Brandwine Four Building, Routes 1 and 202, Chadds Ford, Pennsylvania 19317.

The wet resilient member 30 serves to resist bunching and twisting of the absorbent article 10 during use. By wet resilient is meant that the member 30 is resilient even when wetted by body fluid. The wet resilient member 30 has a length and a width which can be coterminous with the length and width of the cover 12 and/or the baffle 14. The wet resilient member 30 should have a width equal to or greater than the width of the absorbent 16 and a length equal to or greater than the length of the absorbent 16. The wet resilient member 30 resists bunching and twisting of the absorbent article 10 and therefore cooperates with the gap 28 in keeping the absorbent article 10 in intimate contact with the user's body.

Physically attached to an exterior surface 32 of the baffle 14, are two longitudinally extending strips of garment attachment adhesive 34 and 36. It should be noted that one wide strip, three or more narrow strips, or a spray pattern of adhesive can also be used. The garment attachment adhesive is commercially available from National Starch and Chemical Company, located at 10 Funderne Ave., Bridgewater, New Jersey 08807. The garment adhesive strips 34 and 36 are used to secure the absorbent article 10 to the inside of the crotch portion of an undergarment, when the absorbent article 10 is a catamenial product. If the absorbent article 10 is a diaper or a training pant, the garment adhesive strip 34 and 36 may not be needed. The garment adhesive strips 34 and 36 serve to properly align the absorbent article 10 over the vaginal opening.

A releasable peel strip 38 is attached to the garment adhesive strips 34 and 36 and serves to prevent the adhesive from becoming contaminated prior to attachment to an undergarment. The peel strip 38 can be a white Kraft paper, coated on one side, so that it can be released from a hot melt adhesive, such as the garment adhesive strips 34 and 36. The peel strip 38 is designed to be removed ultimately by the consumer just prior to placement of the absorbent article 10 in the undergarment.

Tests were conducted to determine the wicking capabilities of the various materials of different absorbent articles, specifically sanitary napkins. The test procedure determined the wicking capability of the various materials using a dye solution which was dispensed at a flow rate of $3 \pm .5$ milliliters (ml)/30 seconds. Measurements were taken at two different times, at 30 seconds to establish an initial insult and at 5 minutes after initial insult. The equipment and materials needed for the test are as follows:

1. an automated pump capable of dispensing $3 \pm .5$ ml in 30 seconds. An automated Cole Parmer-Masterflex® pump, available from Cole-Parmer Instrument Company, Chicago, Illinois 60648 works well;
2. a 1,000 ml capacity Pyrex graduate with 10 ml graduation;
3. a ring stand - 15 inches (381 mm) high;

4. a needle, having a 1/8 inch (3 mm) tip, mounted to the ring stand;
5. Masterflex Tygon tubing, #14, available from Cole-Parmer Instrument Company;
- 5 6. 40 ml of a dye solution formed from mixing 16.7 grams of blue dye, No. 1 powder, available from the Warner-Jenkinson Division of Universal Foods Corporation located at 2526 Baldwin Street, P O Box 14538, St. Louis, MO 63178-4538, which has been mixed with 1,000 ml of distilled water;
- 10 7. 900 ml of distilled water;
8. a stopwatch, readable to 0.1 second; and
9. a metric ruler.

15 Before starting the test, 40 ml of the dye solution is gently swirled with 900 ml of distilled water in the 1000 ml capacity pyrex graduate.

The samples to be tested should be conditioned as follows: first, each sample should be removed from a protective package, if the sample is retained in a package. Each sample should then be held at a temperature of $73^{\circ}\text{F} \pm 1^{\circ}\text{F}$ and at a relative humidity of $50\% \pm 2\%$ for at least 2 hours. After being conditioned, a 2 by 6 inch (52 mm x 152 mm) specimen is cut from the center of each sample. The longer dimension corresponds to the length of the article from which it is cut.

25 The test procedure for each specimen is as follows: each 2 by 6 inch specimen is laid on a table with its body side surface facing up. The tip of the needle is centered over the specimen. The switch which controls the flow of the dye solution from the pump is turned on to allow the dye solution to flow onto the center of the specimen. The stopwatch is started as soon as the dye solution drips onto the specimen. At 30 seconds, the switch to the pump is turned off and the stopwatch is simultaneously stopped. This time period represents what is referred to in the Tables as the "initial insult" and the amount of fluid dispensed should be 3 ml. As quickly as possible, the cover is removed from the specimen. The length and width of the fluid stain on the first and second members, and each additional member if one is present, is measured with the metric ruler. Each member is carefully peeled apart from the adjacent member in order to

measure the fluid stain. This measurement is denoted and recorded and represents the initial insult of the dye solution. All of the members and the cover are then returned to their original position and the stopwatch is started. Five minutes thereafter the stopwatch
5 is stopped. As quickly as possible, the cover is removed from the specimen. The length and width of the fluid stain on the absorbent members, as described above, are measured and recorded. These measurements are denoted and recorded as the "5 minute after insult" reading. This is the final measurement.

10 The data appearing in Table 1 below was obtained using the above described test procedure. Four commercially available sanitary napkins were tested along with two prototypes of the present invention. The two prototypes are labelled as Prototypes 1 and 2. One can see from the data that after 5 minutes from initial insult,
15 the length of the fluid stain in either the first or the third absorbent members, 18 and 22 respectively, for Prototypes 1 and 2 (110 mm, 129 mm and 110 mm, 115 mm) were much longer than the fluid stain length of any member of the commercial products. The highest value for any of the commercially tested products was 95 mm, see (KUT
20 2nd member). The first and third absorbent members (18 and 22, respectively) in Prototypes 1 and 2 clearly had a higher wicking capability than the second absorbent member 20.

TABLE 1
WICKING CAPABILITY
(n=1)
(all measurements in mm)

Product	Absorbent Member	Composite Size W x L	Sq. Area	stain width after 3 ml insult	stain length after 3 ml insult	stain width 5 minutes after insult	stain length 5 minutes after insult
15	1-top member	52 x 152	7904	45	45	50	50
	2-inner member	52 x 152	7904	52	60	52	70
20	1-top member	52 x 152	7904	54	55	54	60
	2-Sph member	52 x 152	7904	54	62	54	66
25	1-Meltblown	32 x 152	4864	32	83	32	110
	2-Airtex®	52 x 152	7904	47	60	49	65
	3-Tissue	41 x 152	6232	41	98	41	129
30	1-Meltblown	32 x 152	4862	32	70	32	110
	2-Coform	52 x 152	7904	41	50	50	55
	3-Tissue	41 x 152	6232	41	79	41	115
35	1-Mod. Meltblown	32 x 152	4844	32	55	32	55
	2-Tissue	52 x 152	7904	52	70	52	95
	3-inner member	32 x 152	4864	32	50	32	52
40	1-Meltblown	52 x 152	7904	32	38	32	40
	2-Fluff	52 x 152	7904	22	24	25	30
	3-Emb. Fluff	52 x 152	7904	30	32	40	60

Note: Some swelling occurred in some of the composite members resulting in stain sizes slightly larger than the cut size.

Products
 AUM Always Ultra Maxi - commercial product sold by Procter & Gamble Company
 SFUP Stayfree Ultra Plus - commercial product sold by Johnson & Johnson
 PROTOTYPE 1 Ultra Thin prototype (Figure 1)
 PROTOTYPE 2 Ultra Thin Prototype - same as Prototype 1 except Coform replaces Airtex
 KUT Kotex Ultra Thin - commercial product sold by Kimberly-Clark Corporation
 NF Maxi New Freedom Maxi - commercial product sold by Kimberly-Clark Corporation

Abbreviations:

	Top Member	= Top member above inner member
5	Inner Member	= Wrapper containing superabsorbent material
	Sph Member	= An absorbent member containing Sphagnum
	Airtex®	= Airtex® 395 mfg. by James River Corporation
	Tissue	= Saint Catherine's tissue 32 gsm. mfg. by Kimberly-Clark Corporation
10	Coform	= 60% polypropylene polymer blended with 40% pulp, 100 gsm., mfg. by Kimberly-Clark Corporation
	Mod MB	= Modified meltblown 60 gsm., macro pores mfg. by Kimberly-Clark Corporation
	MB	= Standard meltblown 60 gsm., micro pores mfg. by Kimberly-Clark Corporation
15	Fluff	= Weyerhaeuser roll fluff pulp, NF 105.
	Emb. Fluff	= Fluff that has an embossing pattern formed thereon.

Table 2 below shows the ratios of fluid stain length of two adjacent absorbent members in a sanitary napkin for the four commercial products and the two prototypes identified in Table 1. The ratio was determined by dividing the length of the fluid stain in the absorbent member having the higher wicking capability by the length of the fluid stain in the absorbent member having the lower wicking capability. When the product contained three absorbent members (see Prototypes 1 and 2, KUT, and NF Maxi), the length of the fluid stain for each of the two absorbent members having the higher wicking capability was divided by the length of the fluid stain in the absorbent member having the lowest wicking capability.

The ratios in Table 2 show that the stain length ratios 5 minutes after initial insult were 1.7, 2.0 and 2.0, 2.1, for Prototypes 1 and 2, respectively. These values are a representation of the relationship of the wicking capability of the higher wicking members to the lowest wicking member. A larger value indicates that the difference of wicking is more pronounced between the members. Another way of stating this is to say that the two higher wicking members have a wicking capability which is significantly greater than the wicking capability of the lowest wicking member. This feature enables the higher wicking members to wick the body fluid much more efficiently than the lowest wicking member.

One will notice that in Table 2, the commercial products contained ratios between 1.1 and 2.0. The KUT commercial product, which has a ratio greater than 1.7, has a lowest wicking member which is narrower than the higher wicking members. This is opposite from the construction of the present invention and could lead to premature side leakage. The NF Maxi product, which also has a ratio greater than 1.7, is also outside of the present invention for reasons which will be explained below.

TABLE 2
STAIN LENGTH RATIOS
(n=1)

Product	Ratio of Member	stain length ratio after 3 ml insult	stain length ratio 5 min. after insult
AUM	Member (2): Member (1)	1.3	1.4
SFUP	Member (2): Member (1)	1.1	1.1
PROTOTYPE 1	Member (1): Member (2)	1.4	1.7
	Member (3): Member (2)	1.6	2.0
PROTOTYPE 2	Member (1): Member (2)	1.4	2.0
	Member (3): Member (2)	1.6	2.1
KUT	Member (1): Member (3)	1.1	1.1
	Member (2): Member (3)	1.4	1.8
NF Maxi	Member (1): Member (2)	1.6	1.3
	Member (3): Member (2)	1.3	2.0

In Table 3, the wicking capability in terms of fluid stain length of the four commercial products and the two prototypes described in Tables 1 and 2 are given. The fluid stain length after the initial "3 ml" insult (at 30 seconds) and "5 minutes after initial insult" are listed. The values in the right hand column, "Stain length 5 minutes after insult", show that for the two prototypes, the fluid stain has progressed more than 76 mm (110 mm, 129 mm, and 110 mm, 115 mm respectively). In fact, the fluid stain length in the high wicking member exceeded 99 mm for both prototypes. In the commercial products, the fluid stain length was 70 mm or below in every product except KUT which measured 95 mm. These fluid stain lengths further support the fact that the first and third absorbent members in this invention have a greater wicking capability than the second member. The combination of ratio of fluid stain length of the highest wicking members divided by the fluid stain length of the lowest wicking member being greater than 1.7 along with the fluid stain being at least 76 mm, and preferably at least 99 mm, produces an unexpected result that enables the present invention to function much better than any of the tested products. It should be noted that the time period to determine the stain lengths is at 5 minutes after initial insult of 3 ml. The NF Maxi commercial product has a fluid stain length of 60 mm in the highest wicking member, well below 76 mm. Therefore, even though the wicking ratio is fairly high, the fluid stain length of the high wicking member is relatively showing that the fluid is not well distributed along the highest wicking member and is therefore outside this present invention.

TABLE 3

WICKING CAPABILITY - STAIN LENGTH
 Stain Length on Absorbent Members
 (n=1)
 (all measurements in mm)

5

10

15

20

25

30

35

Product	Absorbent Member	stain length after 3 ml insult	stain length 5 min. after insult
AUM	1st member	45	50
	2nd member	60	70
SFUP	1st member	55	60
	2nd member	62	66
PROTOTYPE 1	1st member	83	110
	2nd member	60	65
	3rd member	98	129
PROTOTYPE 2	1st member	70	110
	2nd member	50	55
	3rd member	79	115
KUT	1st member	55	55
	2nd member	70	95
	3rd member	50	52
NF Maxi	1st member	38	40
	2nd member	24	30
	3rd member	32	60

Referring to Fig. 2, an absorbent article 40 is shown which is similar to that depicted in Fig. 1 except that it contains a pair of tabs 42 and 44 which are capable of being folded under the crotch portion of an undergarment. Each tab, 42 and 44 respectively, extends outward from a longitudinal side edge, 46 and 48 respectively, of the absorbent article 40. The tabs 42 and 44 can have any desired configuration, but a rectangular or trapezoidal configuration works well. When a trapezoidal shape is used, the sides of the tabs 42 and 44 can taper inward as they progress toward a distal end, 50 and 52 respectively, at an angle of about 1 degree to about 25 degrees. A preferred angle is about 12 degrees. The taper is measured relative to a central transverse axis Y--Y of the absorbent article 40.

The tabs 42 and 44 can have a surface area of about 1.2 in.² (7.7 cm²). The tabs 42 and 44 have a length measured parallel to the longitudinal axis X--X of the absorbent article 40, and a width, measured parallel to the transverse axis Y--Y of the absorbent article 40. The length of each tab 42 and 44 can be measured from the center of a radius, formed on one side of the tab to the center of a radius formed on an opposite side of the tab. The radii join the sides of the tabs 42 and 44 to the longitudinal side edges 46 and 48 of the absorbent article 40. The length of each tab 42 and 44 should be between about 0.75 to about 2.0 inches (about 19 mm to about 51 mm), preferably about 1.5 inches (about 38 mm). The width of each tab 42 and 44 can be between about 0.5 to about 1.5 inches (about 13 mm to about 38 mm), preferably about 1 inch (about 25.4 mm).

It should be noted that the size, shape and thickness of the tabs 42 and 44 can vary depending upon the size and configuration of the absorbent article they are attached to.

The tabs 42 and 44 are constructed of the cover 12, the baffle 14 and the wet resilient member 30. Therefore, the tabs 42 and 44 are thinner and have a Gurley stiffness which is less than that of the absorbent 16. Each tab 42 and 44 also contains a patch or strip of garment adhesive (not shown) attached to the baffle side of each tab 42 and 44 which is covered by a releasable peel

strip, 54 and 56 respectively. The garment adhesive should cover an area of at least 0.5 square inches (about 323 mm²) of each tab 42 and 44, and preferably, at least 50% of each tab 42 and 44. The particular shape and configuration of the adhesive can vary. A
5 garment adhesive which works well is adhesive NS 34-5516 which is commercially available from National Starch Company, located at 10 FINDERNE AVE., BRIDGEWATER, NEW JERSEY 08807.

The tabs 42 and 44 should have a Gurley stiffness in the range of between about 50 milligrams (mg) to about 150 mg, preferably about
10 77 mg to about 115 mg when the peel strip is removed to provide optimum comfort and drapability. For the range of about 50 mg to about 150 mg of stiffness, the tabs 42 and 44 should have a thickness of greater than about 0.5 mm, preferably about 0.7 mm to about 1.5 mm, and most preferably about 1.1 mm to about 1.2 mm when the peel
15 strip is removed, see values for Prototype 1 in Table 4.

GURLEY STIFFNESS

To test the Gurley stiffness of a tab on an absorbent article containing a peel strip, one should use a Gurley Digital Stiffness Tester, Model 4171-d. Five samples of each article should be tested.
20 At least one tab on each article must be tested. The articles are removed from any pouch that they may be contained in and are unfolded. The articles are then conditioned by holding them at a temperature of 73°F ± 1° and at a relative humidity of 50% ± 2% for at least 2 hours before testing. A 12.7 mm x 25.4 mm sample is then
25 cut from the center of one tab per article. It should be noted that if the article contains a single peel strip on only one tab, then the tab without the peel strip should be used for this portion of the test. It is also important to avoid testing those areas of a tab which contain Velcro® or other types of hook and loop fasteners. The
30 articles should be carefully handled to avoid affecting the stiffness of the sample.

The Gurley stiffness tester should be calibrated before use. One should follow the instruction manual of the Gurley stiffness tester and stay within 5% variation using a 50.8 mm wide by 25.4 mm
35 long pre-calibrated Brass Calibration Strip. This is done to ensure that the "Vane" pendulum is swinging according to specification against a known material (i.e. a brass strip). The electronics of

the tester should be calibrated as stated in the instruction manual. In setting up the Gurley stiffness tester, one will have to attach the required weight and adjust the leveling screw, until the level's bubble is centered and the pendulum's pointer is indicating zero.

5 The switches should be set for specified weight, specified weight position, width (0.5 inches) and length (1 inch). The test procedure involves the following steps:

- 10 1) The sample is centered over the pendulum such that exactly 6.4 mm (0.25 inches) overlaps the top of the pendulum and exactly 6.4 mm (0.25 inches) will be held in the jaws.
- 2) The reading should be checked to make sure it is between 2 and 6 on the scale. If not, adjust the weight and reset the switch as needed. The sample should be positioned in close contact with the pendulum vane before applying a force. This will avoid oscillation in the early stages.
- 15 3) The System Reset button is then pressed. The display must read 00 - 000.
- 4) The operator will then press the motor-direction switch to cause the clamp arm to press the sample against the pendulum.
- 20 5) Step 4 is repeated in the opposite direction to establish both a left scale reading, a right scale reading and an average reading.
- 6) The average scale reading is then recorded.
- 7) The select button is then pressed to attain milligram calculation and record the value.
- 25 8) Steps 1-7 are repeated for each sample.

TAB THICKNESS

30 To test for the thickness of a tab on an absorbent article after any peel strip is removed, one would use an Ames Bulk Tester with a dial indicator, Model No. 482. At least one tab on each article must be tested. Five samples of each article should be tested. The articles are removed from any pouch that they may be contained in and are unfolded. The articles are then conditioned by holding them at a temperature of 73°F ± 1° and at a relative humidity of 50% ± 2% for
35 at least 2 hours before testing. The center of the non-adhesive side of each tab is then marked using a marker and a ruler. The

comparator gauge on the Ames Bulk Tester is zeroed. An 80.0 grams stainless steel weight is placed on the spindle extending above the comparator dial. The circular aluminum comparator foot (having a contact surface of 5.16 cm² and having a weight of 10 g) on the Ames Bulk Tester is then moved to its upper limit and a sample is placed on the base of the tester with the garment adhesives facing down. This position allows the foot of the tester to be lower onto the center of the tab. The lever on the tester is then gently released to lower the comparator foot onto the sample. The dial is read 30 seconds after the foot comes in contact with the material of which the tab is constructed. The measurement is recorded in inches, as indicated on the dial. The measurement can be converted to millimeters by multiplying the value by 25.4. The number should be recorded to two places to the right of the decimal point. The foot is then raised and the sample is removed so that subsequent samples can be tested. It is important that the base of the tester be cleaned after each sample.

To test tabs without the peel strip, the peel strip is removed from the tab and the garment adhesive is dusted with talc or corn starch.

Measurements on the present absorbent article 10 and commercially available sanitary products were made using the above-identified test procedures for Gurley stiffness and thickness. Five samples of each product were tested using one tab from each product. The data is summarized in Table 4 below.

TABLE 4

	<u>PRODUCT</u>	<u>TAB GURLEY STIFFNESS (mg)</u> without peel	<u>TAB THICKNESS (mm)</u> without peel
5	Prototype 1	77-115	1.1-1.2
10	Kotex® Lightdays® WrapAround™ Pantiliner	177-300	1.7-1.9
	Libresse®	9- 20	.03-.36
15	Always® Ultra Plus	3- 13	.02-.51
20	Always® Plus Long Thin Maxi Pad with Wings	0- 14	.02-.51
25	Stay Free® Ultra Plus Maxi	.5- 1.9	.33-.38
	Kao Night Safe	3- 11	.20-.25

The data indicates that the tabs 42 and 44 have a Gurley stiffness which falls within a unique range, higher than the Gurley stiffness of most of the prior art products, and lower than the Gurley stiffness of the WrapAround® pantiliner. This unique range of Gurley stiffness has been found to be the most suitable for the function of the tabs. Tabs that are in the range of stiffness of the WrapAround® pantiliner have been found to suffer from a lack of conformability. They have a tendency to lose their attachment to the undergarment during use in wear conditions. This stiffness range is also not optimum for comfort. For optimum performance and comfort, the tabs should have a Gurley stiffness of less than about 150 mg.

The vast majority of the prior art tabs or wings have a Gurley stiffness that is less than about 50 mg. In fact, those tested in Table 4 have a Gurley stiffness of less than 20 mg. This is in line with prior teachings that the more flexible the wings or tabs, the better they will perform (e.g. U.S. patent 4,608,047, issued to Mattingly). It has been found, however, that prior art made with this teaching in mind suffers from several serious deficiencies. First, when the peel strip is removed from the adhesive, just prior to applying the article to an undergarment, tabs that are too flexible will droop and adhere to the bottom of the absorbent article, or to each other. This is very inconvenient for the user. Second, in use, these highly flexible tabs or wings will have a tendency to bunch and distort. This can be a functional problem, in that the bunched tabs will not do their job of holding the article in place. The bunching is also a comfort problem, in that the wrinkles resulting from bunching are uncomfortable.

It has been found that when the tabs have a Gurley stiffness of about 50 mg or above they are sufficiently stiff that they do not stick to the absorbent article upon removal of the peel strip. Furthermore, the tabs exhibit greatly improved resistance to in use bunching relative to prior art tabs that are more flexible.

It is important when using tabs that have a Gurley stiffness greater than about 50 mg that the tabs also have a thickness greater than about 0.5 mm. This will insure that the tabs are comfortable. Tabs stiffer than about 50 mg and thinner than about 0.5 mm will

present a side edge that can feel sharp to the user, and therefore can cause discomfort.

Referring to Fig. 3, an absorbent article 58 is shown which is similar to that depicted in Fig. 2, except that the second member 20 is C-folded such that the gap or groove 28 faces downward towards the baffle 14. Such an embodiment may be easier to manufacture on some equipment.

Referring to Fig. 4, an absorbent article 60 is shown which is similar to that depicted in Fig. 2 except that the third member 22 is positioned below the second member 20. In this arrangement, it is possible to make both the second and third members, 20 and 22 respectively, of the same width. By positioning the third member 22 below the second member 20 instead of within the C-fold, the absorbent article 60 may be easier to manufacture.

Referring to Fig. 5, an absorbent article 62 is shown which is similar to that depicted in Fig. 2, except that the third member 22 is positioned above the second member 20. In this arrangement, it is possible to make both the second and third members, 20 and 22 respectively, of the same width. By positioning the third member 22 above the second member 20 instead of within the C-fold, the absorbent article 60 may be easier to manufacture.

Referring to Fig. 6, an absorbent article 64 is shown which is similar to that depicted in Fig. 2, except that the second member 20 is not C-folded but instead consist of two separate members 66 and 68. The member 66 is positioned above the third member 22 while the member 68 is positioned below the third member 22. In this embodiment, the members 66 and 68 would be made out of the same material and would have the same wicking capability. However, if one desired to change the material or wicking properties of the member 68, this could easily be done. The gap or groove 28 would still be present in the member 66 to facilitate movement of body fluid downward into the third member 22. The gap 28 can be formed by constructing the member 66 out of two separate strips of material and laying them parallel to one another and slightly spaced apart. Another way to obtain the gap 28 is to form a slit in the member 66

only along a portion of its length. The gap 28 should be in alignment with the longitudinal central axis X--X of the absorbent article 64.

5 While the invention has been described in conjunction with several specific embodiments, it is to be understood that many alternatives, modifications and variations will be apparent to those skilled in the art in light of the foregoing description. Accordingly, this invention is intended to embrace all such alternatives, modifications and variations which fall within the
10 spirit and scope of the appended claims.

We claim:

1. An absorbent article comprising first, second and third members each having a wicking capability and each having a predetermined width, said first member having a high wicking capability, said second member having a lower wicking capability than said first member, and said third member having a higher wicking capability than said second member, said second member having a width greater than the width of said first member, and said second member having a basis weight of less than about 300 gsm.
2. The absorbent article of claim 1 wherein said second member is positioned between and in contact with said first and third members.
3. The absorbent article of claim 1 wherein said third member has a higher wicking capability than said first member.
4. The absorbent article of claim 1 wherein said third member is wider than said first member.
5. The absorbent article of claim 1 wherein said first member is meltblown.
6. The absorbent article of claim 1 wherein said second member is coform.
7. The absorbent article of claim 1 wherein said second member is an air-laid fabric.
8. The absorbent article of claim 1 wherein said third member is a through-air dried, creped tissue.
9. The absorbent article of claim 1 wherein a fourth member is positioned below said third member, said fourth member having a lower wicking capability than either said first or third members.

10. An absorbent article comprising first, second and third members each having a wicking capability and each having a predetermined width, said first member having a high wicking capability, said second member having a lower wicking capability than said first member, and said third member having a higher wicking capability than said second member, said second member having a width approximately equal to the width of said third member, and said second member having a basis weight of less than about 300 gsm.
11. The absorbent article of claim 10 wherein said first and third members have essentially the same width.
12. The absorbent article of claim 10 wherein said third member has a width greater than said first member.
13. An absorbent article comprising:
a) a liquid-permeable cover;
b) a liquid-impermeable baffle; and
c) an absorbent enclosed by said cover and said baffle, said absorbent including first, second and third members each having a wicking capability for menses and each having a predetermined width, said first member having a high wicking capability, said second member having a lower wicking capability than said first member, and said third member having a higher wicking capability than said second member, said second member having a width greater than the width of first member, and said second member having a basis weight of less than about 300 gsm.
14. The absorbent article of claim 13 wherein said second member is C-folded which enables said second member to flex thereby permitting said absorbent article to conform to a user's body.
15. The absorbent article of claim 13 wherein said absorbent has a thickness of less than about 7 millimeters.
16. The absorbent article of claim 15 wherein said absorbent has a thickness of less than about 5 millimeters.

17. The absorbent article of claim 13 wherein a wet resilient member is positioned between said absorbent and said baffle which offers resistance to bunching of said absorbent article.
18. The absorbent article of claim 17 wherein said wet resilient member is a polyethylene foam.
19. The absorbent article of claim 13 wherein said third member has a higher wicking capability than said first member.
20. An absorbent article having a central longitudinal axis comprising:
- a) a liquid-permeable cover;
 - b) a liquid-impermeable baffle;
 - 5 c) an absorbent enclosed by said cover and said baffle, said absorbent including first, second and third members each having a wicking capability for menses and each having a predetermined width, said first member positioned adjacent to said cover and aligned along said longitudinal axis, said first member having a high wicking
10 capability, said second member positioned adjacent to said first member and having a lower wicking capability than said first member and having a width greater than the width of said first member, said second member being C-folded and having two oppositely aligned edges which are spaced apart to form a gap therebetween, said C-fold
15 enabling said second member to flex thereby allowing said absorbent article to conform to a user's body, and said third member positioned within said second member and having a higher wicking capability than said second member; and
 - 20 d) a wet resilient member positioned between said absorbent and said baffle which offers resistance to bunching of said absorbent article.
21. The absorbent article of claim 20 wherein said cover and baffle are sized and configured to form a pair of tabs which can fold and which extend outwardly from said absorbent approximate a middle portion thereof, and said cover and baffle being sealed together
5 about the periphery of said absorbent article.

22. The absorbent article of claim 21 wherein each of said tabs contains attachment means for securing said tab to an undergarment.
23. The absorbent article of claim 22 wherein each of said tabs has a Gurley stiffness of between about 50 mg to about 150 mg and a thickness of greater than about 0.5 mm.
24. The absorbent article of claim 20 wherein said absorbent article has a central longitudinal axis and said first member is a narrow strip positioned adjacent to said cover and aligned along said central longitudinal axis.
25. The absorbent article of claim 20 wherein said first member is meltblown.
26. The absorbent article of claim 20 wherein said second member is C-folded with said gap positioned adjacent to said first member.
27. The absorbent article of claim 20 wherein said second member is C-folded with said gap positioned adjacent to said wet resilient member.
28. An absorbent article having a central longitudinal axis, comprising:
- a) a liquid-permeable cover;
 - b) a liquid-impermeable baffle;
 - 5 c) an absorbent enclosed by said cover and said baffle, said absorbent including first, second and third members, said first member being a strip of meltblown material positioned adjacent to said cover and aligned along said central longitudinal axis, said first member having a high wicking capability, said second member
 - 10 positioned adjacent to said first member and having a lower wicking capability than said first member, said second member being C-folded and having two oppositely aligned edges which are spaced apart to form a gap therebetween, said C-fold enabling said second member to flex thereby allowing said absorbent article to conform to a user's

15 body, and said third member positioned within said second member and
having a higher wicking capability than said first and second
members; and

d) a wet resilient member positioned between said absorbent and
said baffle which offers resistance to bunching of said absorbent
20 article.

29. An absorbent article having a central longitudinal axis, a
central transverse axis and a pair of longitudinal side edges, said
absorbent article comprising:

a) a liquid-permeable cover;
5 b) a liquid-impermeable baffle having a garment-facing surface;
c) an absorbent enclosed by said cover and said baffle, said
absorbent including first, second and third members, said first
member being a strip of meltblown material positioned adjacent to
said cover and aligned along said central longitudinal axis, said
10 first member having a high wicking capability, said second member
positioned adjacent to said first member and having a lower wicking
capability than said first member, said second member being C-folded
and having two oppositely aligned edges which are spaced apart to
form a gap therebetween, said C-fold permitting said second member to
15 flex thereby allowing said absorbent article to conform to a user's
body, and said third member positioned within said second member and
having a higher wicking capability than said first and second
members;

d) a wet resilient member positioned between said absorbent and
20 said baffle which offers resistance to bunching of said absorbent
article;

e) a pair of tabs which can fold and which are aligned along
said central transverse axis which extend laterally outward from said
25 longitudinal side edges of said absorbent article, said tabs
including said cover, said wet resilient member and said baffle;

- f) adhesive means for securing said absorbent article to an undergarment, said adhesive means being present on said garment-facing surface of said baffle at a location between said longitudinal side edges and on each of said tabs; and
30 g) release paper covering said adhesive means.

30. An absorbent article having a central longitudinal axis, a central transverse axis and a pair of longitudinal side edges, said absorbent article comprising:

- a) a liquid-permeable cover;
5 b) a liquid-impermeable baffle having a garment-facing surface;
c) an absorbent enclosed by said cover and said baffle, said absorbent including first, second and third members, said first member being a strip of meltblown material positioned adjacent to said cover and aligned along said central longitudinal axis, said
10 first member having a high wicking capability, said second member positioned adjacent to said first member and having a lower wicking capability than said first member, said second member being C-folded and having two oppositely aligned edges which are spaced apart to form a gap therebetween, said C-fold permitting said second member to
15 flex thereby allowing said absorbent article to conform to a user's body, and said third member positioned adjacent to said second member and having a higher wicking capability than said first and second members;
d) a wet resilient member positioned between said absorbent and
20 said baffle which offers resistance to bunching of said absorbent article;
e) a pair of tabs which can fold and are aligned along said central transverse axis which extend laterally outward from said longitudinal side edges of said absorbent article, said tabs
25 including said cover, said wet resilient member and said baffle;
f) adhesive means for securing said absorbent article to an undergarment, said adhesive means being present on said garment-facing surface of said baffle at a location between said longitudinal side edges and on each of said tabs; and
30 g) release paper covering said adhesive means.

31. An absorbent article comprising first, second and third members, said first member providing a pre-use visual signal that body fluid will stay in a central portion of said article, said second and third members each having a wicking capability with said third member
5 having a higher wicking capability than said second member, and said second member having a width greater than the width of said third member and having a basis weight of less than about 300 gsm.

32. The absorbent article of claim 31 wherein said first member is a layer of ink.

33. The absorbent article of claim 31 wherein said first member is a different color than said second member.

34. The absorbent article of claim 31 wherein said first member is a different color than said cover.

35. The absorbent article of claim 31 wherein said first member is a darker color than said cover.

36. An absorbent article comprising first, second and third members, said first member providing a pre-use visual signal that body fluid will stay in a central portion of said article, said first, second and third members each having a wicking capability, said first member
5 having a high wicking capability, said second member having a lower wicking capability than said first member, said third member having a higher wicking capability than said second member, and said second member having a basis weight of less than about 300 gsm.

37. An absorbent article comprising:
a) a liquid-permeable cover;
b) a liquid-impermeable baffle;
c) an absorbent positioned between said cover and said baffle,
5 said absorbent having a pair of longitudinally extending side edges;
and

d) a pair of tabs extending outwardly from said longitudinal side edges, each of said tabs having a Gurley stiffness of between about 50 mg to about 150 mg and a thickness of greater than about 0.5 mm.

38. The absorbent article of claim 37 wherein each of said tabs contains an adhesive.

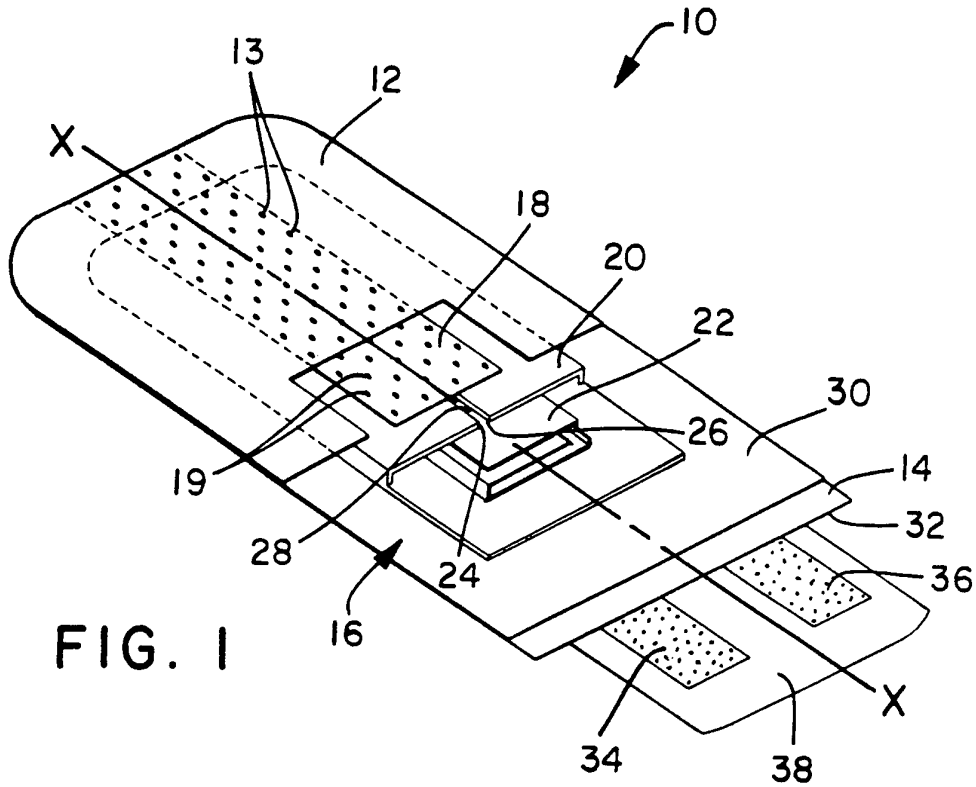


FIG. 1

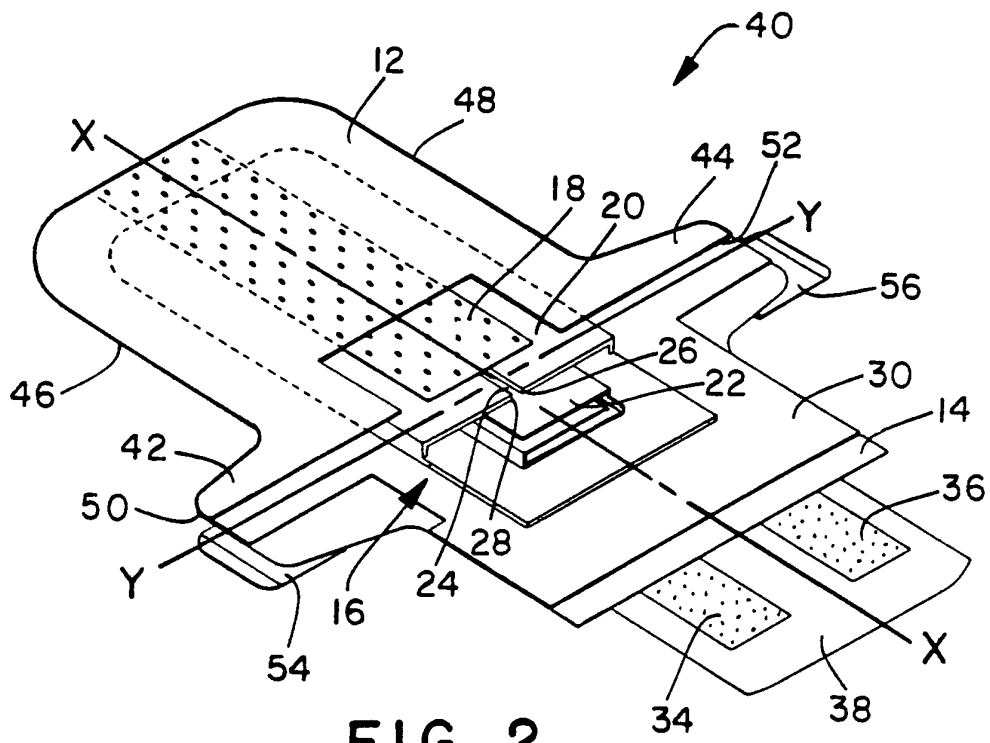


FIG. 2

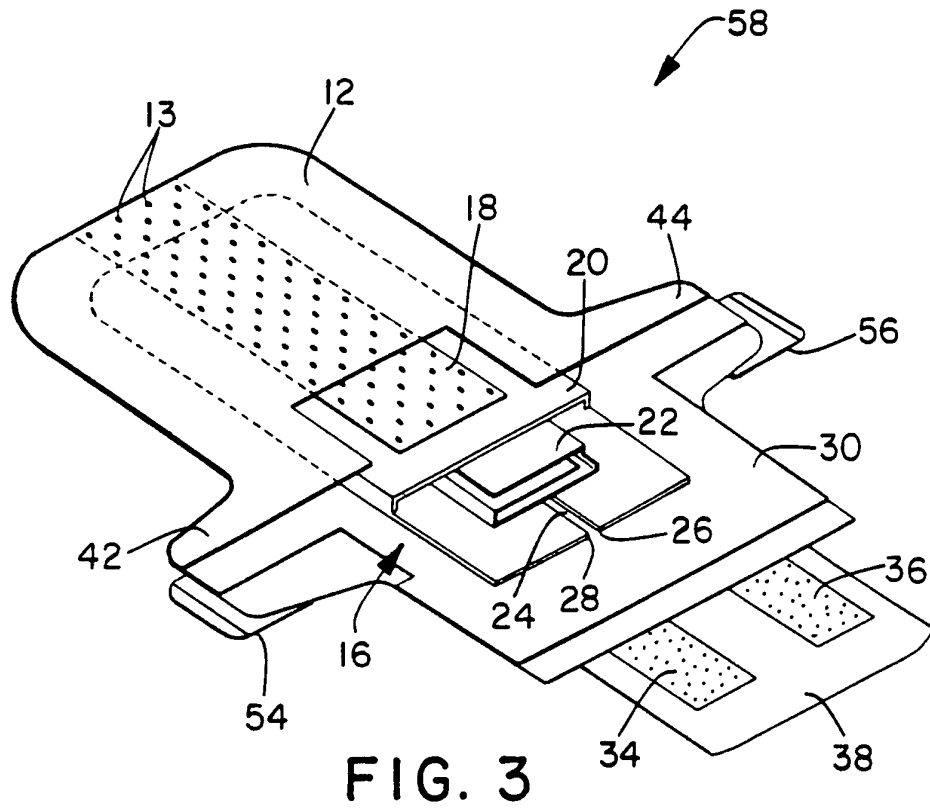


FIG. 3

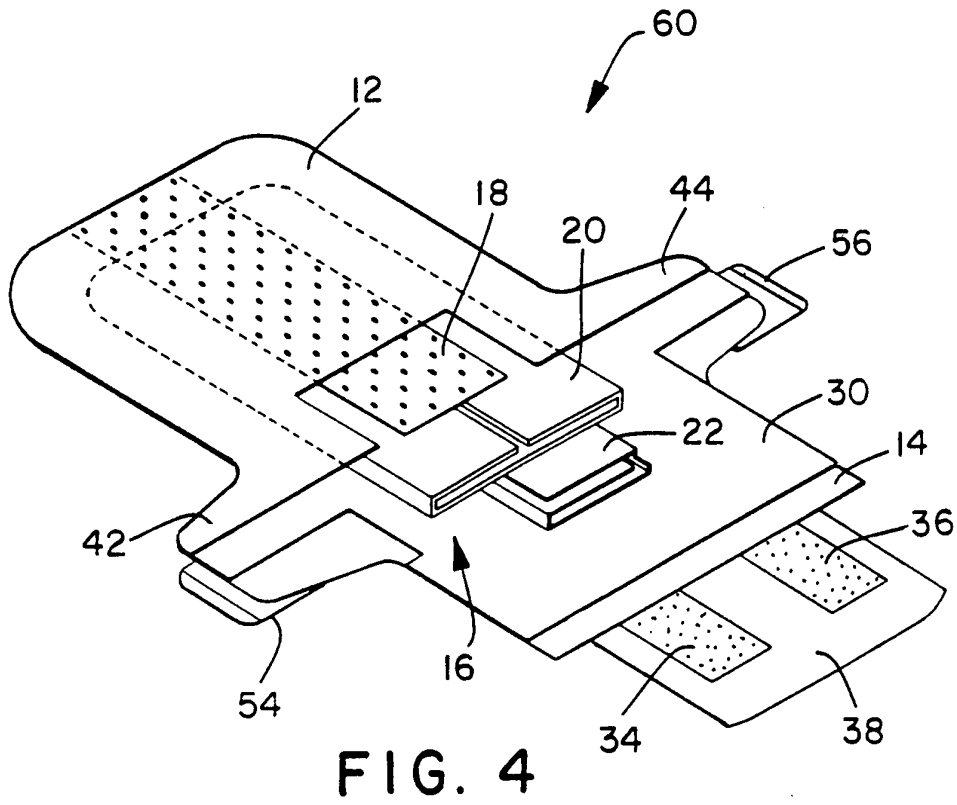


FIG. 4

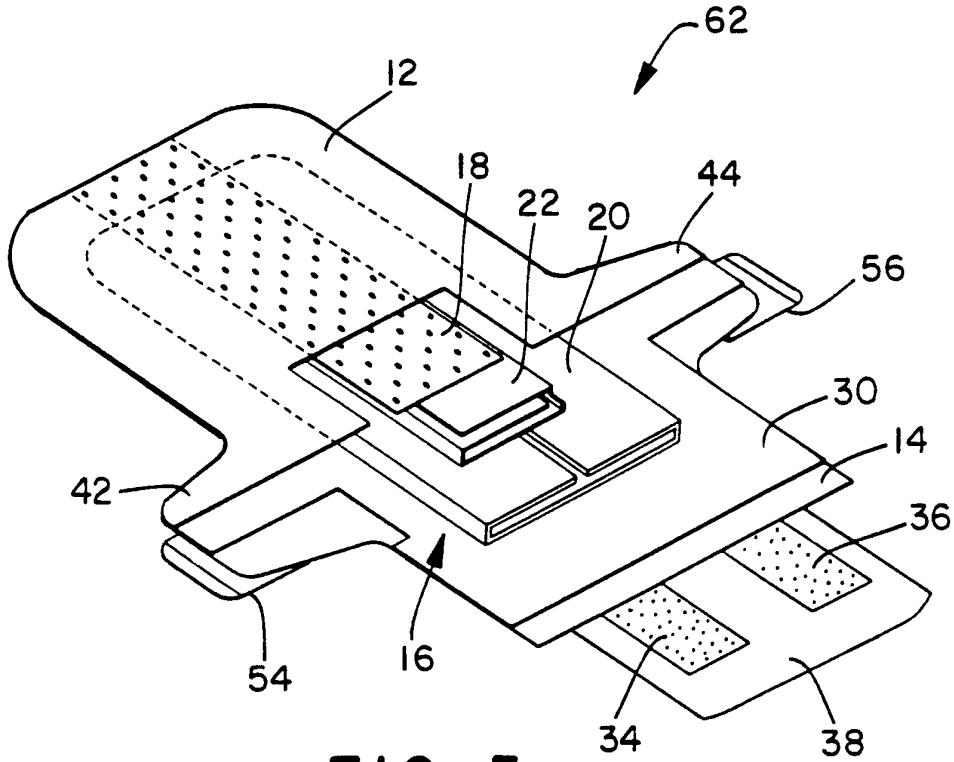


FIG. 5

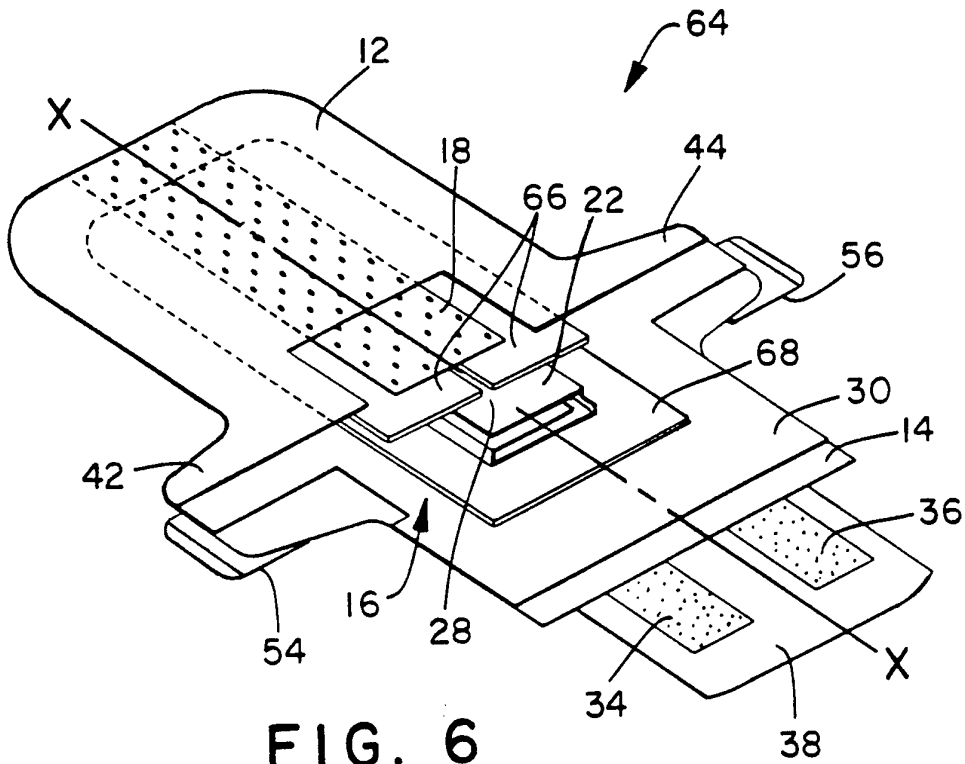


FIG. 6

INTERNATIONAL SEARCH REPORT

International Application No

PCT/US 94/05007

A. CLASSIFICATION OF SUBJECT MATTER
 IPC 5 A61F13/15 A61F13/46

According to International Patent Classification (IPC) or to both national classification and IPC

B. FIELDS SEARCHED

Minimum documentation searched (classification system followed by classification symbols)
 IPC 5 A61F

Documentation searched other than minimum documentation to the extent that such documents are included in the fields searched

Electronic data base consulted during the international search (name of data base and, where practical, search terms used)

C. DOCUMENTS CONSIDERED TO BE RELEVANT

Category *	Citation of document, with indication, where appropriate, of the relevant passages	Relevant to claim No.
X	GB,A,2 168 612 (SMITH AND NEPHEW ASSOCIATED COMPANIES PLC) 25 June 1986 see the whole document ---	1-38
X	WO,A,93 01780 (THE PROCTER & GAMBLE COMPANY) 4 February 1993 see the whole document ---	1-38
X	US,A,5 037 409 (CHEN ET AL.) 6 August 1991 see the whole document ---	1-38
X	EP,A,0 471 114 (KIMBERLEY-CLARK CORPORATION) 19 February 1992 see the whole document ---	1-38
X	EP,A,0 401 189 (MÖLNLYCKE AB) 5 December 1990 see the whole document ---	1-38
	-/--	

Further documents are listed in the continuation of box C.

Patent family members are listed in annex.

* Special categories of cited documents :

"A" document defining the general state of the art which is not considered to be of particular relevance
 "E" earlier document but published on or after the international filing date
 "L" document which may throw doubts on priority claim(s) or which is cited to establish the publication date of another citation or other special reason (as specified)
 "O" document referring to an oral disclosure, use, exhibition or other means
 "P" document published prior to the international filing date but later than the priority date claimed

"T" later document published after the international filing date or priority date and not in conflict with the application but cited to understand the principle or theory underlying the invention

"X" document of particular relevance; the claimed invention cannot be considered novel or cannot be considered to involve an inventive step when the document is taken alone

"Y" document of particular relevance; the claimed invention cannot be considered to involve an inventive step when the document is combined with one or more other such documents, such combination being obvious to a person skilled in the art.

"&" document member of the same patent family

Date of the actual completion of the international search

23 September 1994

Date of mailing of the international search report

06. 10. 94

Name and mailing address of the ISA

European Patent Office, P.B. 5818 Patentlaan 2
 NL - 2280 HV Rijswijk
 Tel. (+ 31-70) 340-2040, Tx. 31 651 epo nl,
 Fax: (+ 31-70) 340-3016

Authorized officer

Lasson, C

INTERNATIONAL SEARCH REPORT

 International Application No
 PCT/US 94/05007

C.(Continuation) DOCUMENTS CONSIDERED TO BE RELEVANT		
Category *	Citation of document, with indication, where appropriate, of the relevant passages	Relevant to claim No.
X	US,A,4 195 634 (DISALVO ET AL.) 1 April 1980 see the whole document ---	1-38
X	EP,A,0 298 348 (KIMBERLEY-CLARK CORPORATION) 11 January 1989 see the whole document ---	1-38
X	EP,A,0 316 771 (KIMBERLEY-CLARK CORPORATION) 24 May 1989 see the whole document ---	1-38
X	WO,A,91 14415 (MÖLNLYCKE AB) 3 October 1991 see the whole document ---	1-38
P,X	EP,A,0 548 714 (KIMBERLEY-CLARK CORPORATION) 30 June 1993 see the whole document -----	1-38

INTERNATIONAL SEARCH REPORT

Information on patent family members

International Application No

PCT/US 94/05007

Patent document cited in search report	Publication date	Patent family member(s)	Publication date
GB-A-2168612	25-06-86	NONE	
-----	-----	-----	-----
WO-A-9301780	04-02-93	US-A- 5334176	02-08-94
		AU-A- 2348192	23-02-93
		AU-A- 2374292	23-02-93
		AU-A- 2383092	23-02-93
		AU-A- 2383192	23-02-93
		AU-A- 2399392	23-02-93
		AU-A- 2402592	23-02-93
		AU-A- 2420492	23-02-93
		AU-A- 2421392	23-02-93
		BR-A- 9205320	05-04-94
		BR-A- 9206308	02-08-94
		CA-A- 2092196	24-01-93
		CA-A- 2092197	24-01-93
		CA-A- 2092198	24-01-93
		CA-A- 2092199	24-01-93
		CA-A- 2092202	24-01-93
		CA-A- 2092203	24-01-93
		CA-A- 2092204	24-01-93
		CA-A- 2113343	24-01-93
		EP-A- 0599871	08-06-94
		EP-A- 0549781	07-07-93
		EP-A- 0552339	28-07-93
		EP-A- 0549784	07-07-93
		EP-A- 0552340	28-07-93
		EP-A- 0550736	14-07-93
		EP-A- 0552345	28-07-93
		EP-A- 0549787	07-07-93
		FI-A- 931243	13-05-93
		FI-A- 931244	12-05-93
		FI-A- 931245	12-05-93
		FI-A- 931246	12-05-93
		FI-A- 931247	19-05-93
		FI-A- 931248	21-05-93
		JP-T- 6502103	10-03-94
		JP-T- 6502104	10-03-94
		JP-T- 6502105	10-03-94
		JP-T- 6502106	10-03-94
		JP-T- 6502107	10-03-94

INTERNATIONAL SEARCH REPORT

Information on patent family members

International Application No

PCT/US 94/05007

Patent document cited in search report	Publication date	Patent family member(s)	Publication date
WO-A-9301780		JP-T- 6502108	10-03-94
		JP-T- 6502109	10-03-94
		WO-A- 9301779	04-02-93
		WO-A- 9301781	04-02-93
		WO-A- 9301782	04-02-93
		WO-A- 9301783	04-02-93
		WO-A- 9301784	04-02-93
		WO-A- 9301785	04-02-93
		WO-A- 9301786	04-02-93
		US-A- 5281208	25-01-94
US-A-5037409	06-08-91	AU-B- 638849	08-07-93
		AU-A- 8029591	16-01-92
		CA-A- 2046117	13-01-92
		EP-A- 0470392	12-02-92
EP-A-0471114	19-02-92	AU-B- 635094	11-03-93
		AU-A- 6773990	23-01-92
		CA-A- 2024558	20-01-92
		JP-A- 5095973	20-04-93
		US-A- 5248309	28-09-93
EP-A-0401189	05-12-90	SE-B- 463747	21-01-91
		AU-B- 630713	05-11-92
		AU-A- 5837590	07-01-91
		CA-A- 2055605	01-12-90
		DE-T- 69002403	11-11-93
		EP-A- 0558889	08-09-93
		HU-B- 209364	30-05-94
		JP-T- 4506305	05-11-92
		SE-A- 8901964	01-12-90
		WO-A- 9014815	13-12-90
US-A-4195634	01-04-80	CA-A- 1136801	07-12-82
EP-A-0298348	11-01-89	US-A- 4865597	12-09-89
		CA-A- 1315487	06-04-93
		US-A- 4886513	12-12-89
EP-A-0316771	24-05-89	AU-A- 2561388	25-05-89

INTERNATIONAL SEARCH REPORT

Information on patent family members

International Application No
PCT/US 94/05007

Patent document cited in search report	Publication date	Patent family member(s)	Publication date
EP-A-0316771		AU-B- 630763	05-11-92
		AU-A- 6599790	24-01-91
		CA-A- 1306081	11-08-92
		JP-A- 2001268	05-01-90
		US-A- 4973325	27-11-90

WO-A-9114415	03-10-91	AU-B- 648549	28-04-94
		AU-A- 7564991	21-10-91
		EP-A- 0523107	20-01-93
		HU-A- 64827	28-03-94
		JP-T- 5505122	05-08-93
		SE-A- 9001092	27-09-91

EP-A-0548714	30-06-93	US-A- 5219341	15-06-93
		AU-A- 2996992	24-06-93
		CA-A- 2074055	21-06-93
