

[54] CARRYING CASE

[75] Inventor: F. Carlos De Witt, Long Beach, Calif.

[73] Assignee: Romana Acosta, Los Angeles, Calif.

[**] Term: 14 Years

[21] Appl. No.: 841,739

[22] Filed: Mar. 5, 1986

[52] U.S. Cl. D3/76

[58] Field of Search D3/30, 30.1, 35, 74, D3/76, 77, 43, 78, 39, 72, 73; 150/35; 190/18 A, 41 R, 42, 100, 103, 115; 206/569, 305, 379, 380; 220/66, 72

[56] References Cited

U.S. PATENT DOCUMENTS

D. 262,074	12/1981	Schnabel	D3/76
D. 275,339	9/1984	McKinnon	D3/72
D. 280,467	9/1985	Mihojevich	D3/76
4,550,813	11/1985	Browning	190/18 A

OTHER PUBLICATIONS

Best Products Catalog, p. 279, 1985-86, item No. 23 & 18, middle of page.

Best Products Catalog, p. 260, 1986-87, item No. 6, middle and right of page.

Evans Catalog 1987-88, p. 265, item No. 6, Middle and left of page.

Primary Examiner—Bernard Ansher

Assistant Examiner—Prabhakar Desmukh

Attorney, Agent, or Firm—Stetina and Brunda

[57]

CLAIM

The ornamental design for a carrying case, as shown.

DESCRIPTION

FIG. 1 is a front top perspective view of a carrying case showing my new design;

FIG. 2 is a rear bottom perspective view thereof;

FIG. 3 is a front perspective view thereof, in open position.

FIG. 4 is a front elevation thereof;

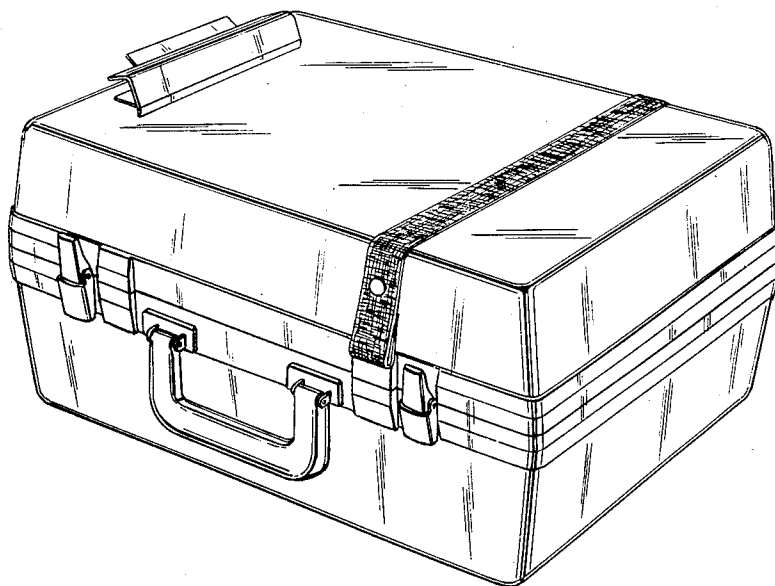
FIG. 5 is a rear elevation thereof;

FIG. 6 is a top plan view thereof;

FIG. 7 is a bottom plan view thereof;

FIG. 8 is a left side elevation thereof; and

FIG. 9 is a right side elevation thereof.



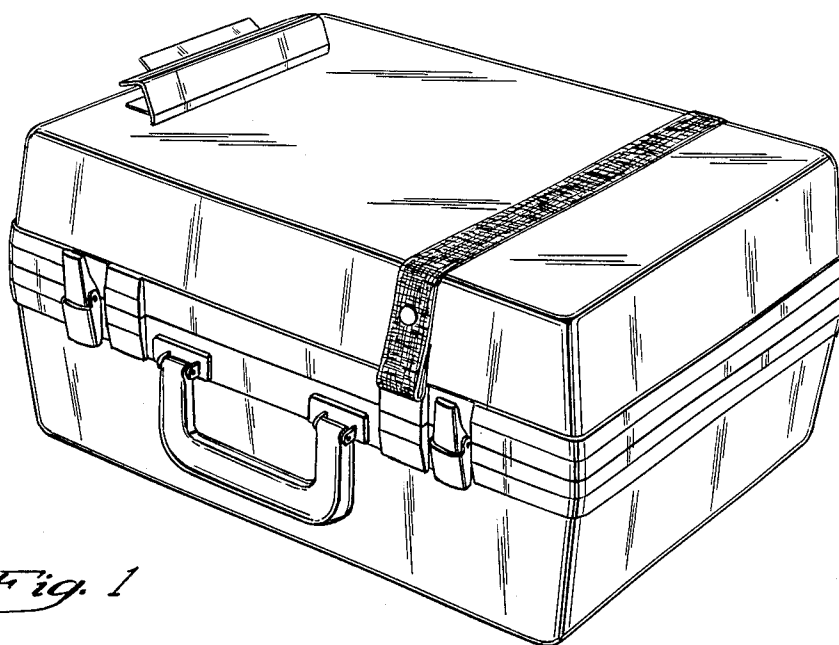


Fig. 1

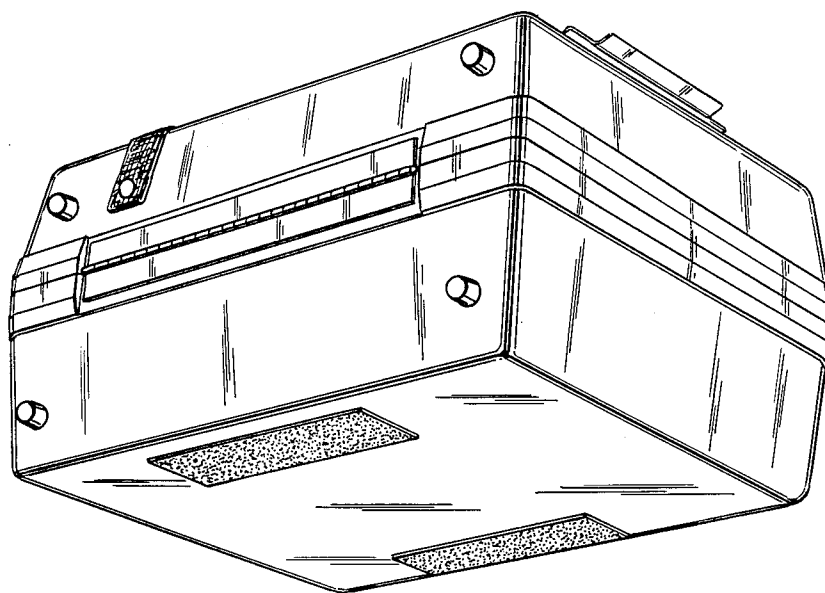


Fig. 2

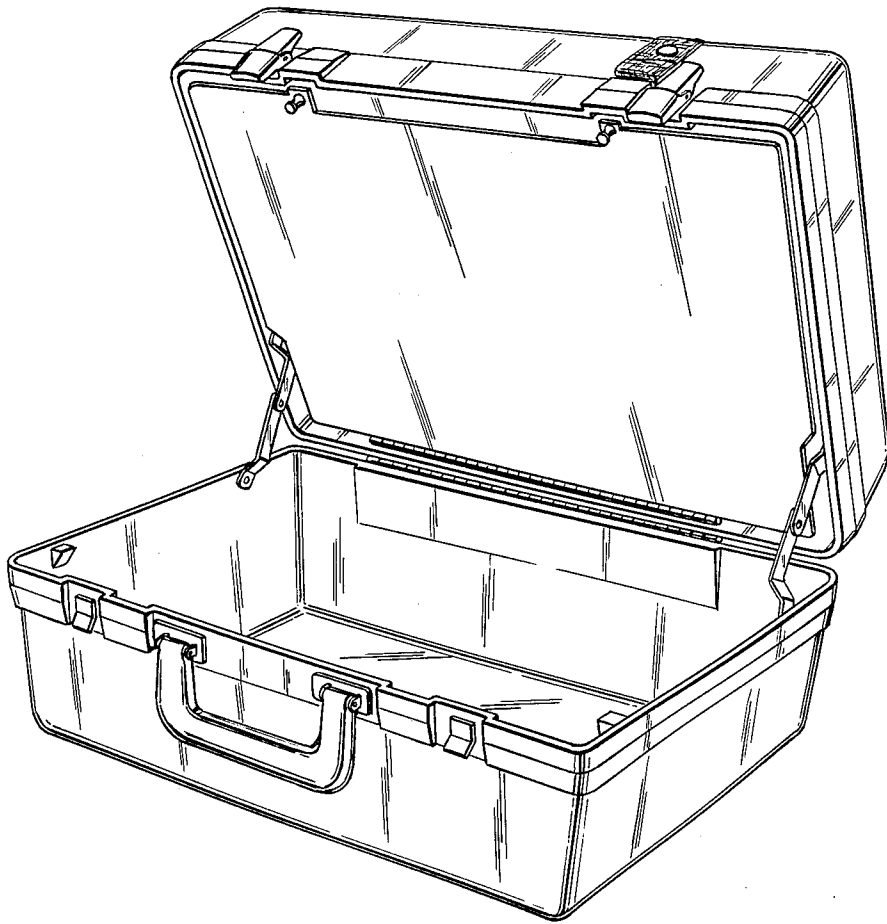


Fig. 3

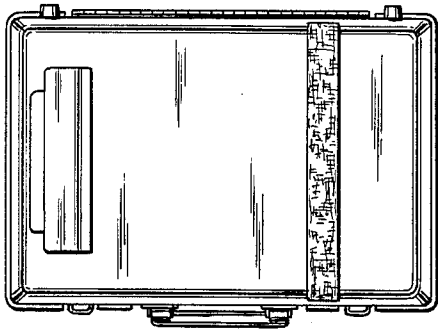


Fig. 6

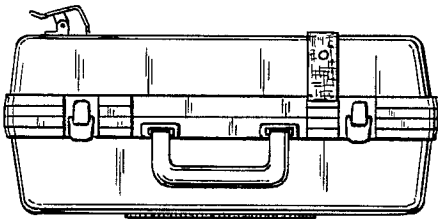


Fig. 4

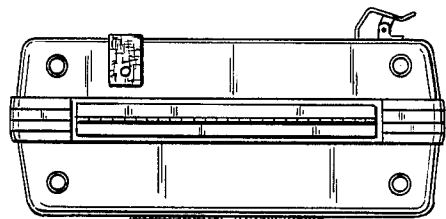


Fig. 5

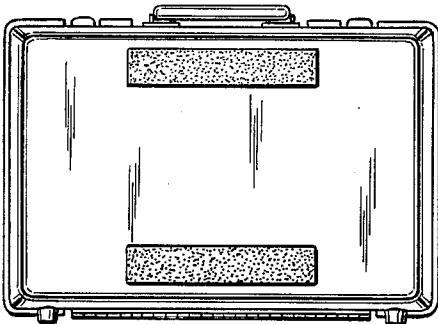


Fig. 7

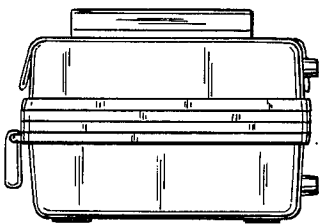


Fig. 8

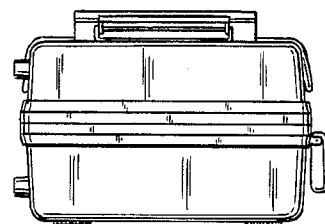


Fig. 9



US008304784A

REEXAMINATION CERTIFICATE (1879th)

United States Patent [19]

[11] **B1 Des. 304,784**

De Witt

[45] **Certificate Issued Dec. 15, 1992**

[54] **CARRYING CASE**

[75] **Inventor:** F. Carlos De Witt, Long Beach, Calif.

[73] **Assignee:** Romana Acosta

Reexamination Request:

No. 90/002,140, Sep. 20, 1990

Reexamination Certificate for:

Patent No.: Des. 304,784

Issued: Nov. 28, 1989

Appl. No.: 841,739

Filed: Mar. 5, 1986

[52] **U.S. Cl.** D3/76

[58] **Field of Search** D3/30.1, 76, 75, 77,
D3/78, 73, 35; 150/107; 190/18 A, 18 R, 100,
115, 900, 902, 901

[56]

References Cited

PUBLICATIONS

Brochure—Posse Police Products, Inc., p. 1 of 4 (Command Post PCP-12 Case).

Price List—Posse Police Products, Inc., dated Apr. 1981, See PCP12 Posse Command Post Case.

Wholesale Price List—Posse Police Products, Inc., dated Mar. 1984, See Posse Command Post/PCP12.

Suggested Retail Price List—Posse Police Products, Inc., See Posse Command Post/PCP12, dated Mar. 1984.

Primary Examiner—Bernard Ansher

[57]

CLAIM

The ornamental design for a carrying case, as shown.

DESCRIPTION

FIG. 1 is a front top perspective view of a carrying case showing my new design;

FIG. 2 is a rear bottom perspective view thereof;

FIG. 3 is a front perspective view thereof, in open position.

FIG. 4 is a front elevation thereof;

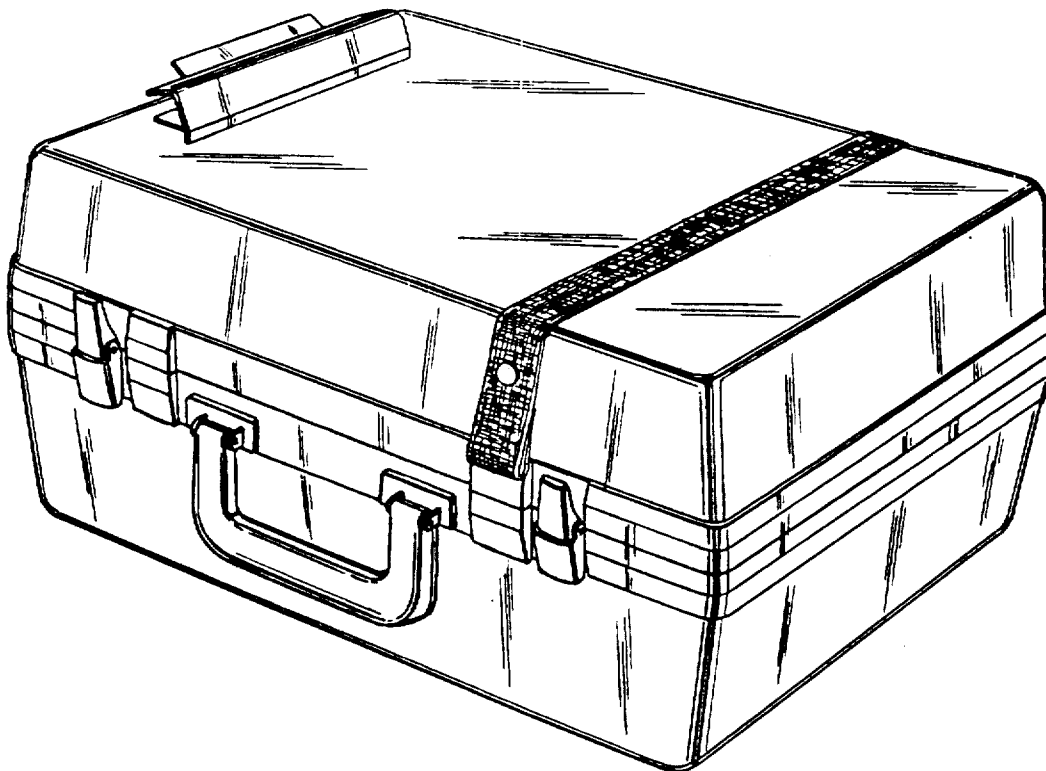
FIG. 5 is a rear elevation thereof;

FIG. 6 is a top plan view thereof;

FIG. 7 is a bottom plan view thereof;

FIG. 8 is a left side elevation thereof; and

FIG. 9 is a right side elevation thereof.



NO AMENDMENTS HAVE BEEN MADE TO
THE PATENT

**REEXAMINATION CERTIFICATE
ISSUED UNDER 35 U.S.C. 307**

5 AS A RESULT OF REEXAMINATION, IT HAS
BEEN DETERMINED THAT:

The patentability of the claim is confirmed.
* * * * *

10

15

20

25

30

35

40

45

50

55

60

65



US008304784A

REEXAMINATION CERTIFICATE (1879th)

United States Patent [19]

[11] B1 Des. 304,784

De Witt

[45] Certificate Issued Dec. 15, 1992

[54] CARRYING CASE

[75] Inventor: F. Carlos De Witt, Long Beach, Calif.

[73] Assignee: Romana Acosta

Reexamination Request:

No. 90/002,140, Sep. 20, 1990

Reexamination Certificate for:

Patent No.: Des. 304,784

Issued: Nov. 28, 1989

Appl. No.: 841,739

Filed: Mar. 5, 1986

[52] U.S. Cl. D3/76

[58] Field of Search D3/30.1, 76, 75, 77,
D3/78, 73, 35; 150/107; 190/18 A, 18 R, 100,
115, 900, 902, 901

[56]

References Cited

PUBLICATIONS

Brochure—Posse Police Products, Inc., p. 1 of 4 (Command Post PCP-12 Case).

Price List—Posse Police Products, Inc., dated Apr. 1981, See PCP12 Posse Command Post Case.
Wholesale Price List—Posse Police Products, Inc., dated Mar. 1984, See Posse Command Post/PCP12.
Suggested Retail Price List—Posse Police Products, Inc., See Posse Command Post/PCP12, dated Mar. 1984.

Primary Examiner—Bernard Ansher

[57]

CLAIM

The ornamental design for a carrying case, as shown.

DESCRIPTION

FIG. 1 is a front top perspective view of a carrying case showing my new design;

FIG. 2 is a rear bottom perspective view thereof;

FIG. 3 is a front perspective view thereof, in open position.

FIG. 4 is a front elevation thereof;

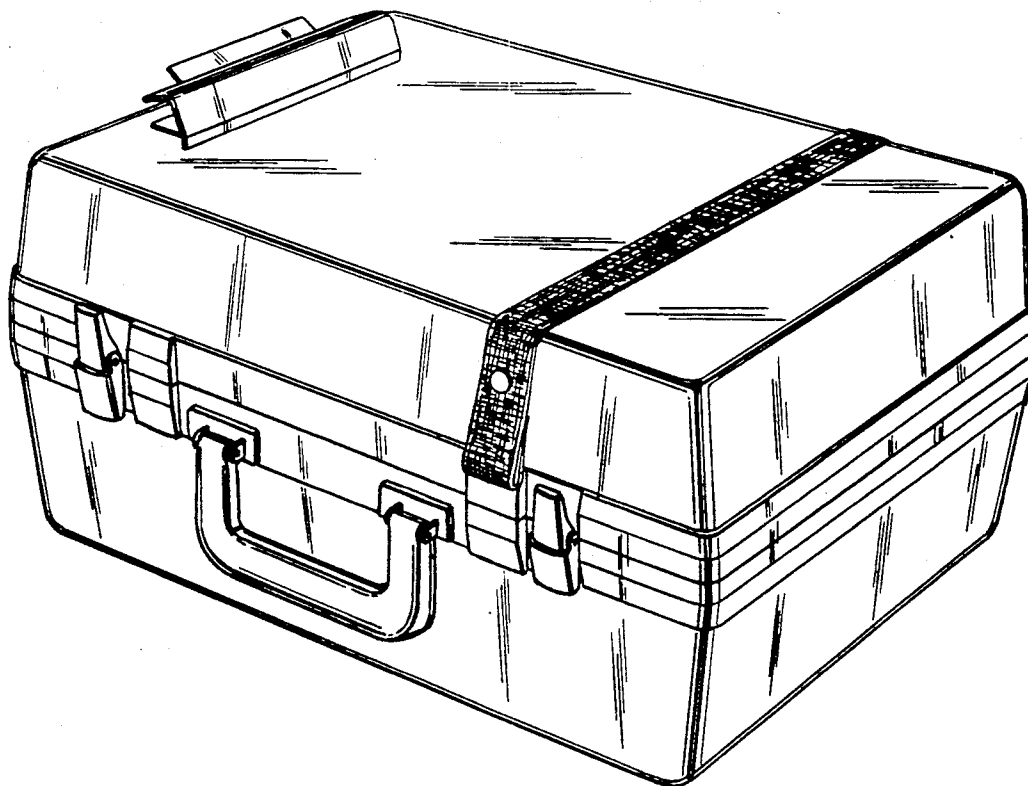
FIG. 5 is a rear elevation thereof;

FIG. 6 is a top plan view thereof;

FIG. 7 is a bottom plan view thereof;

FIG. 8 is a left side elevation thereof; and

FIG. 9 is a right side elevation thereof.



NO AMENDMENTS HAVE BEEN MADE TO
THE PATENT

**REEXAMINATION CERTIFICATE
ISSUED UNDER 35 U.S.C. 307**

AS A RESULT OF REEXAMINATION, IT HAS
5 BEEN DETERMINED THAT:

The patentability of the claim is confirmed.

* * * * *

10

15

20

25

30

35

40

45

50

55

60

65