

(19) World Intellectual Property Organization
International Bureau



(43) International Publication Date
24 May 2007 (24.05.2007)

PCT

(10) International Publication Number
WO 2007/059343 A3

(51) International Patent Classification:

A61N 1/00 (2006.01) A61B 5/04 (2006.01)
A61B 5/05 (2006.01)

(21) International Application Number:

PCT/US2006/044870

(22) International Filing Date:

16 November 2006 (16.11.2006)

(25) Filing Language:

English

(26) Publication Language:

English

(30) Priority Data:

11/280,620 16 November 2005 (16.11.2005) US
11/280,582 16 November 2005 (16.11.2005) US
11/322,788 30 December 2005 (30.12.2005) US

(71) Applicant: **ADVANCED BIONICS CORPORATION**
[US/US]; 25129 RYE CANYON ROAD, Valencia, CA
91355 (US).

(72) Inventor (for US only): **MANN, Alfred, E.**; 14175 MUL-
HOLLAND DR., Beverly Hills, CA 90210 (US).

(72) Inventors: **HE, Tom, Xiaohai**; 5837 Indian Terrace Dr.,
Simi Valley, CA 93063 (US). **MOFFITT, Michael, A.**;

27768 Summer Grove Place, Valencia, CA 91354 (US).
CARBUNARU, Rafael; 4203 Colfax Avenue, Unit B,
Studio City, CA 91604 (US). **WHITEHURST, Todd, K.**;
28602 North Natalie Lane, Santa Clarita, CA 91390 (US).
JAAX, Kristen, N.; 28854 Half Moon Place, Saugus, CA
91390 (US). **MAKOUS, James, C.**; 22024 Jeffers Lane,
Santa Clarita, CA 91350 (US).

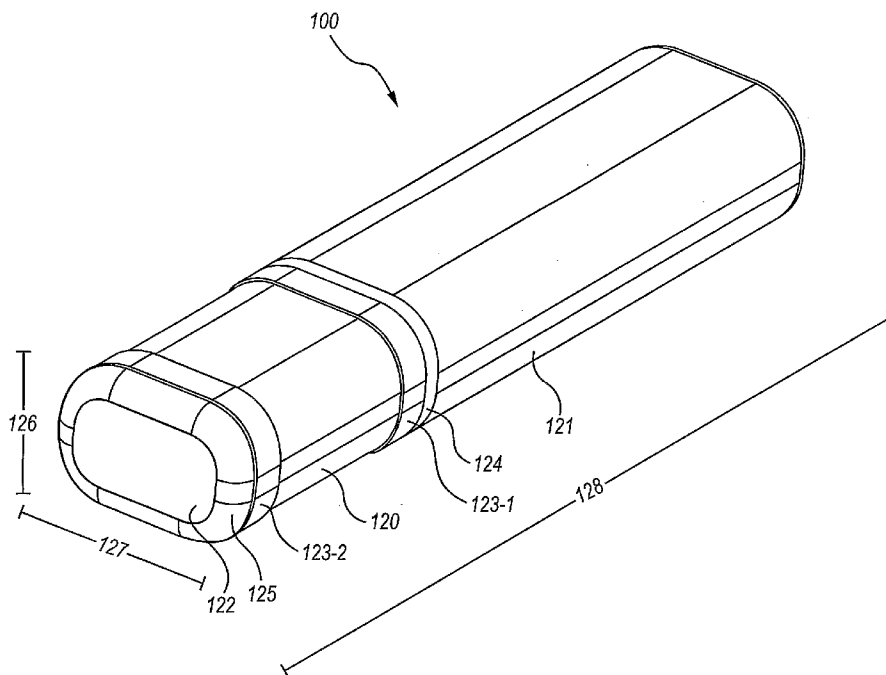
(74) Agents: **CONROY, John, F.** et al.; Fish & Richardson
P.C., P.O. Box 1022, Minneapolis, MN 55440-1022 (US).

(81) Designated States (unless otherwise indicated, for every
kind of national protection available): AE, AG, AL, AM,
AT, AU, AZ, BA, BB, BG, BR, BW, BY, BZ, CA, CH, CN,
CO, CR, CU, CZ, DE, DK, DM, DZ, EC, EE, EG, ES, FI,
GB, GD, GE, GH, GM, GT, HN, HR, HU, ID, IL, IN, IS,
JP, KE, KG, KM, KN, KP, KR, KZ, LA, LC, LK, LR, LS,
LT, LU, LV, LY, MA, MD, MG, MK, MN, MW, MX, MY,
MZ, NA, NG, NI, NO, NZ, OM, PG, PH, PL, PT, RO, RS,
RU, SC, SD, SE, SG, SK, SL, SM, SV, SY, TJ, TM, TN,
TR, TT, TZ, UA, UG, US, UZ, VC, VN, ZA, ZM, ZW.

(84) Designated States (unless otherwise indicated, for every
kind of regional protection available): ARIPO (BW, GH,
GM, KE, LS, MW, MZ, NA, SD, SL, SZ, TZ, UG, ZM,
ZW), Eurasian (AM, AZ, BY, KG, KZ, MD, RU, TJ, TM),
European (AT, BE, BG, CH, CY, CZ, DE, DK, EE, ES, FI,

[Continued on next page]

(54) Title: IMPLANTABLE STIMULATOR CONFIGURED TO BE IMPLANTED WITHIN A PATIENT IN A PRE-DETERMINED ORIENTATION



(57) Abstract: Implantable stimulators include a main assembly (120) configured to house one or more components configured to generate and apply at least one stimulus to at least one stimulation site within a patient. The main assembly (120) has a shape allowing said stimulator to be implanted within said patient in a pre-determined orientation.



WO 2007/059343 A3



FR, GB, GR, HU, IE, IS, IT, LT, LU, LV, MC, NL, PL, PT, RO, SE, SI, SK, TR), OAPI (BF, BJ, CF, CG, CI, CM, GA, GN, GQ, GW, ML, MR, NE, SN, TD, TG).

For two-letter codes and other abbreviations, refer to the "Guidance Notes on Codes and Abbreviations" appearing at the beginning of each regular issue of the PCT Gazette.

Published:

- *with international search report*
- *before the expiration of the time limit for amending the claims and to be republished in the event of receipt of amendments*

(88) Date of publication of the international search report:

4 October 2007

INTERNATIONAL SEARCH REPORT

International application No.

PCT/US06/44870

A. CLASSIFICATION OF SUBJECT MATTER
 IPC(8) - A61N 1/00; A61B 5/05, 5/04 (2007.01)
 USPC - 607/46, 48, 36; 600/427, 428, 377
 According to International Patent Classification (IPC) or to both national classification and IPC

B. FIELDS SEARCHED

Minimum documentation searched (classification system followed by classification symbols)
 IPC(8) - A61N 1/00; A61B 5/04 (2007.01)
 USPC -607/373, 509; 600/74, 116, 117, 148

Documentation searched other than minimum documentation to the extent that such documents are included in the fields searched

Electronic data base consulted during the international search (name of data base and, where practicable, search terms used)
 USPTO EAST System (US, USPG-PUB, EPO, DERWENT), MicroPatent, IP.com, DialogPro

C. DOCUMENTS CONSIDERED TO BE RELEVANT

Category*	Citation of document, with indication, where appropriate, of the relevant passages	Relevant to claim No.
X	US 5,782,891 A (HASSLER et al) 21 July 1998 (21.07.1998) entire document	1-7, 9-10, 14-18
Y		8, 11-13, 19-28
Y	US 2004/0034394 A1 (WOODS et al) 19 February 2004 (19.02.2004) entire document	8, 12-13, 19-28
Y	US 6,424,234 B1 (STEVENSON) 23 July 2002 (23.07.2002) entire document	11
A	US 5,314,451 A (MULIER) 24 May 1994 (24.05.1994) entire document	1-28
A	US 5,405,363 A (KROLL et al) 11 April 1995 (11.04.1995) entire document	1-28
A	US 6,622,048 B1 (MANN et al) 16 September 2003 (16.09.2003) entire document	1-28
A	US 6,662,035 B2 (SOCHOR) 09 December 2003 (09.12.2003) entire document	1-28

Further documents are listed in the continuation of Box C.

* Special categories of cited documents:

"A" document defining the general state of the art which is not considered to be of particular relevance	"T" later document published after the international filing date or priority date and not in conflict with the application but cited to understand the principle or theory underlying the invention
"E" earlier application or patent but published on or after the international filing date	"X" document of particular relevance; the claimed invention cannot be considered novel or cannot be considered to involve an inventive step when the document is taken alone
"L" document which may throw doubts on priority claim(s) or which is cited to establish the publication date of another citation or other special reason (as specified)	"Y" document of particular relevance; the claimed invention cannot be considered to involve an inventive step when the document is combined with one or more other such documents, such combination being obvious to a person skilled in the art
"O" document referring to an oral disclosure, use, exhibition or other means	"&" document member of the same patent family
"P" document published prior to the international filing date but later than the priority date claimed	

Date of the actual completion of the international search
 05 June 2007

Date of mailing of the international search report
02 AUG 2007

Name and mailing address of the ISA/US
 Mail Stop PCT, Attn: ISA/US, Commissioner for Patents
 P.O. Box 1450, Alexandria, Virginia 22313-1450
 Facsimile No. 571-273-3201

Authorized officer:
 Blaine R. Copenheaver
 PCT Helpdesk: 571-272-4300
 PCT OSP: 571-272-7774