



US00D950201S

(12) **United States Design Patent**
Falconer

(10) **Patent No.:** **US D950,201 S**

(45) **Date of Patent:** **** May 3, 2022**

(54) **ACCESSORY FOR HAT**

(71) Applicant: **Dustin Falconer**, Parkville, MO (US)

(72) Inventor: **Dustin Falconer**, Parkville, MO (US)

(**) Term: **15 Years**

(21) Appl. No.: **29/760,867**

(22) Filed: **Dec. 4, 2020**

(51) **LOC (13) Cl.** **02-03**

(52) **U.S. Cl.**
USPC **D2/895**

(58) **Field of Classification Search**
USPC D2/865, 866, 869, 870, 871, 872, 873,
D2/891, 895; D5/65; D8/38, 351;
D11/40, 49, 82, 200, 201, 205; D21/415,
D21/428, 576, 614; D22/133; D29/122
CPC .. A42B 1/00; A42B 1/004; A42B 1/24; A42B
3/00; A42B 3/04; A44B 9/00; A44B 9/02;
A44B 9/04; A44B 9/06; A45F 5/06
See application file for complete search history.

(56) **References Cited**

U.S. PATENT DOCUMENTS

D396,940 S *	8/1998	Clegg	D2/869
D401,036 S *	11/1998	Clegg	D2/869
D404,891 S *	2/1999	Clegg	D2/869
D557,171 S *	12/2007	Davison	D11/82
D596,832 S *	7/2009	Kelley	D2/895
D720,121 S *	12/2014	Kelley	D2/895
D720,122 S *	12/2014	Kelley	D2/895

D720,521 S *	1/2015	Kelley	D2/895
D778,548 S *	2/2017	Kelley	D2/895
D783,445 S *	4/2017	Hilger	D11/82

* cited by examiner

Primary Examiner — Jasmine Mlinarcik
(74) *Attorney, Agent, or Firm* — Vincent J. Allen;
Carstens & Cahoon

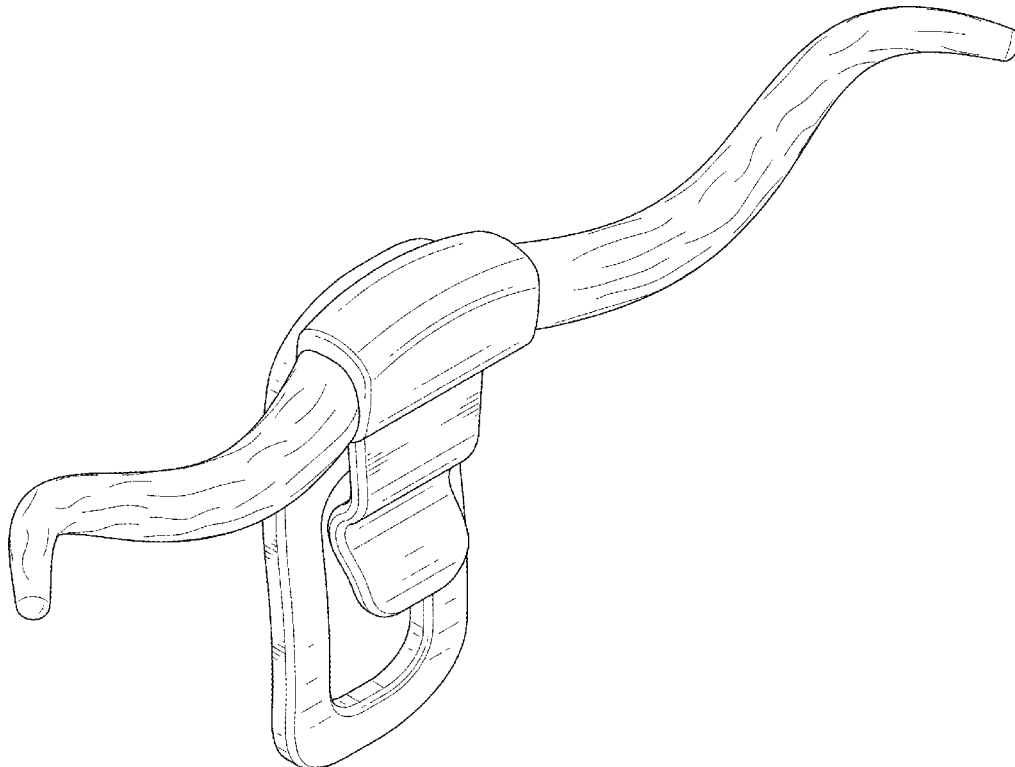
(57) **CLAIM**

The ornamental design for the accessory for hat, as shown and described.

DESCRIPTION

FIG. 1 is a front perspective view of an accessory for hat; FIG. 2 is a top view of the accessory for hat illustrated in FIG. 1; FIG. 3 is a bottom view of the accessory for hat illustrated in FIG. 1; FIG. 4 is a right side view of the accessory for hat illustrated in FIG. 1; FIG. 5 is a left side view of the accessory for hat illustrated in FIG. 1; FIG. 6 is a front elevation view of the accessory for hat illustrated in FIG. 1; and, FIG. 7 is a rear elevation view of the accessory for hat illustrated in FIG. 1.

1 Claim, 5 Drawing Sheets



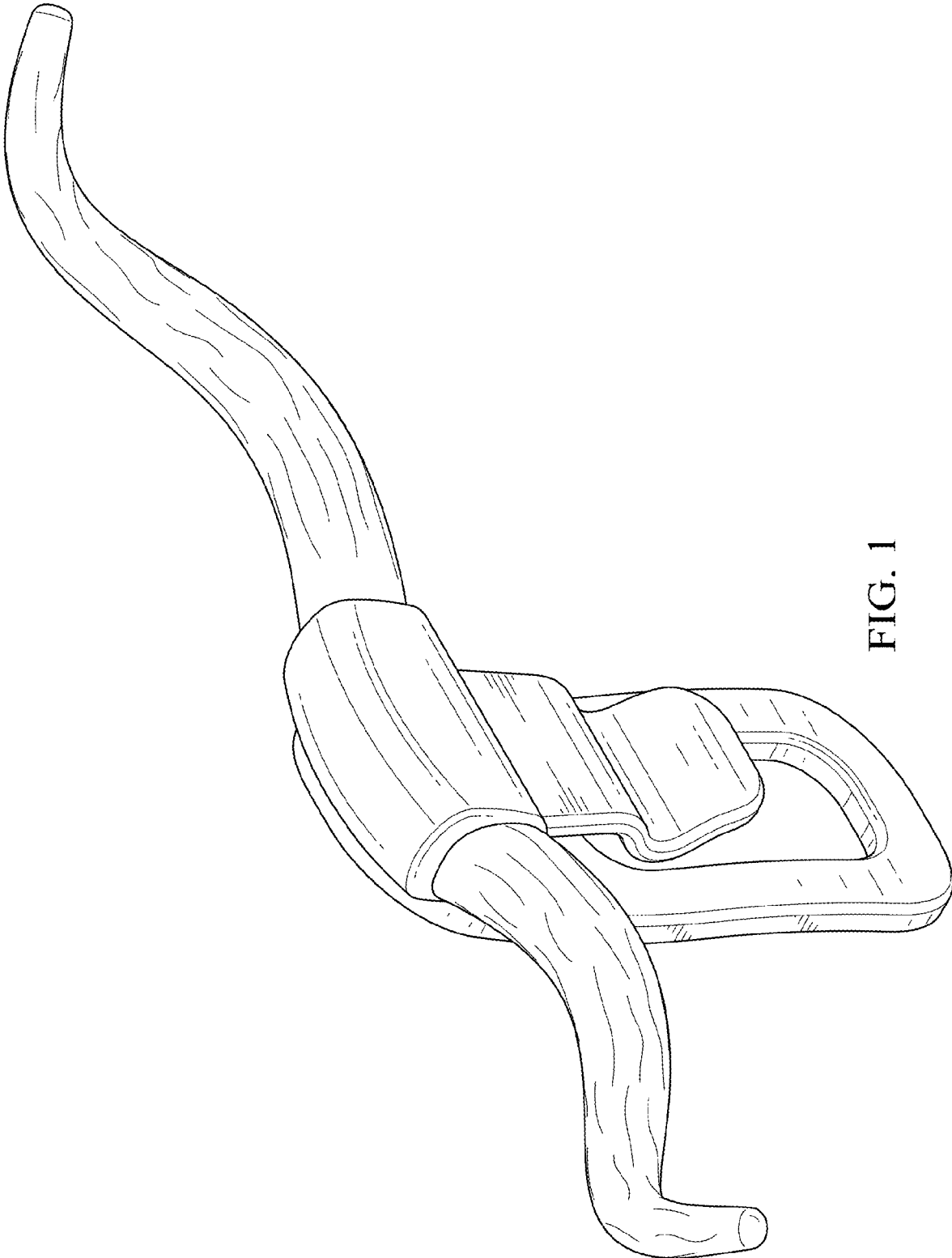


FIG. 1

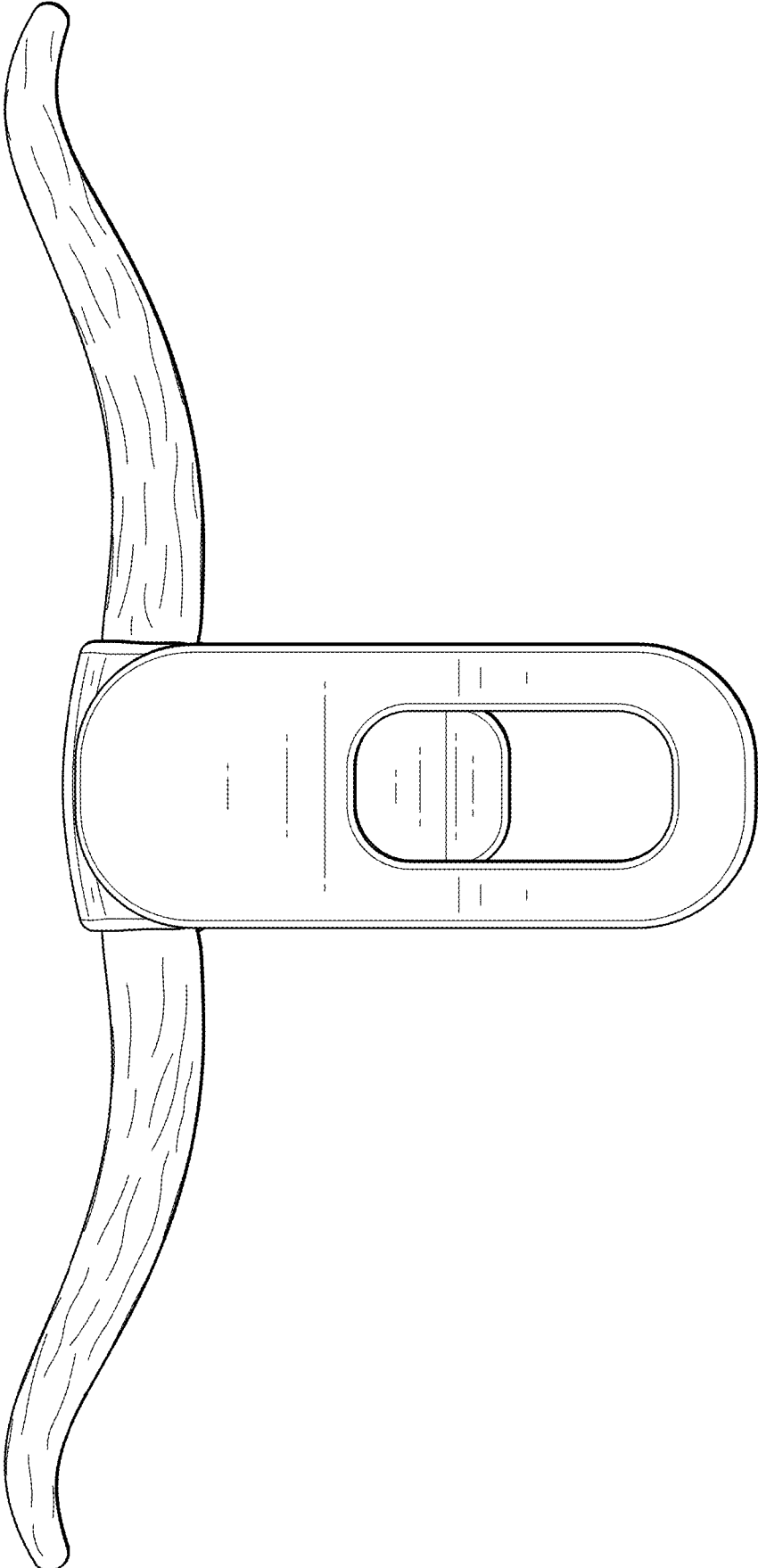


FIG. 2

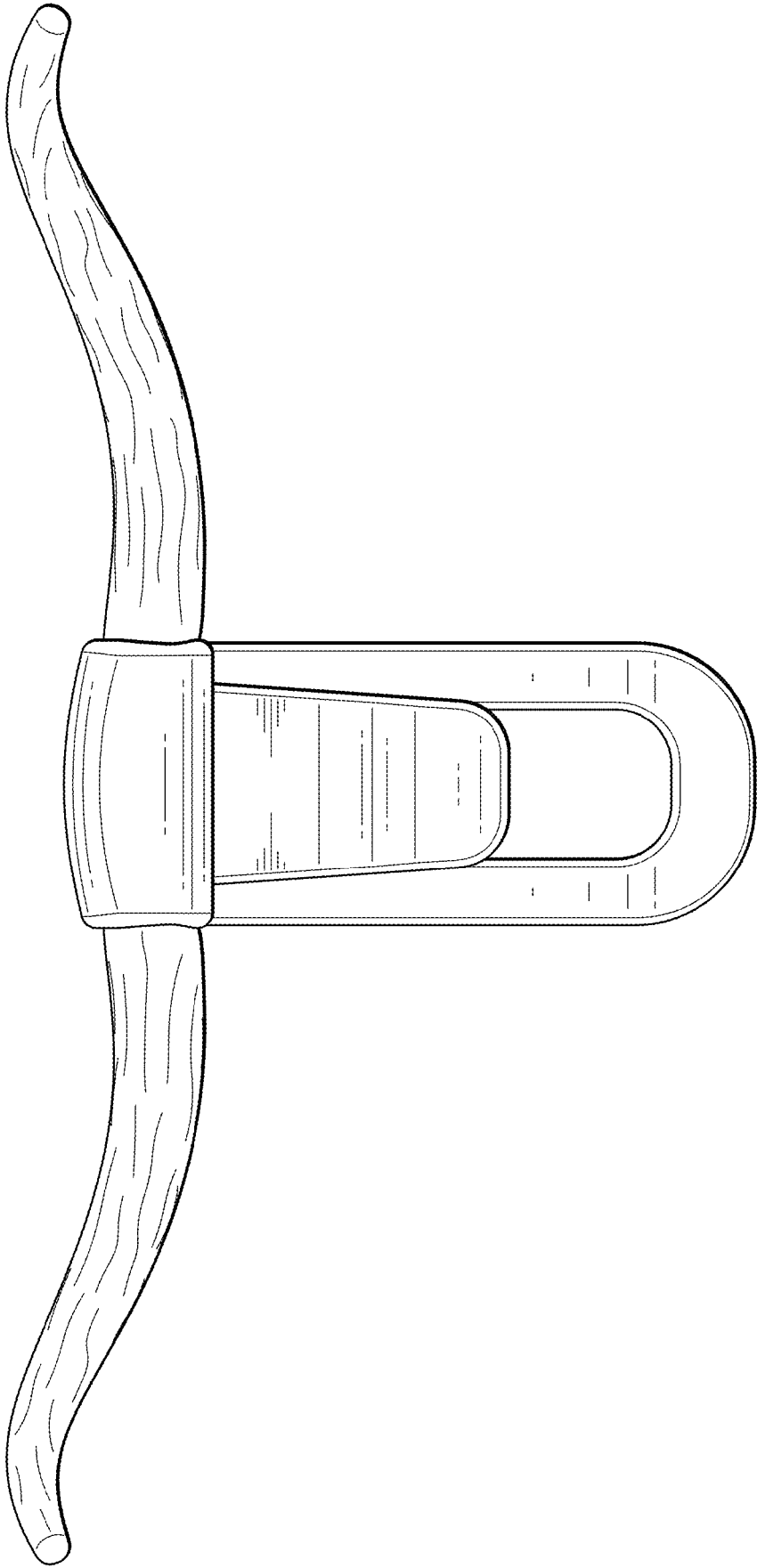


FIG. 3

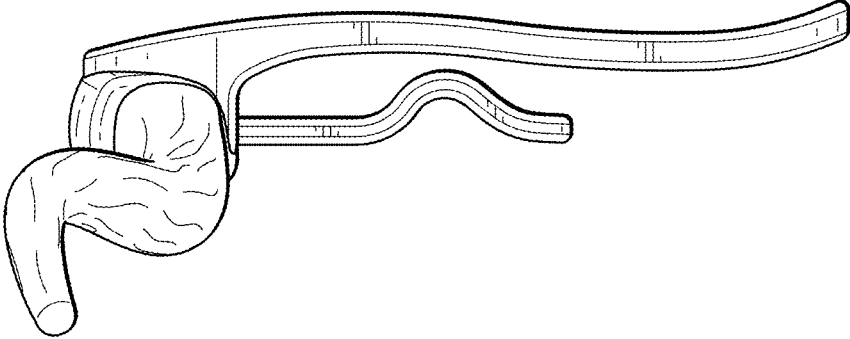


FIG. 5

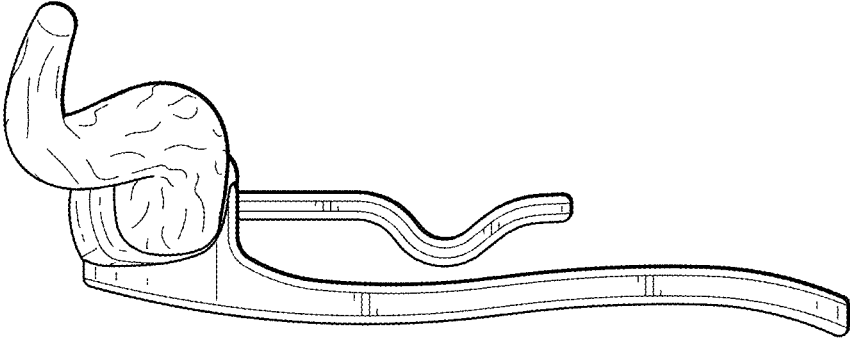


FIG. 4

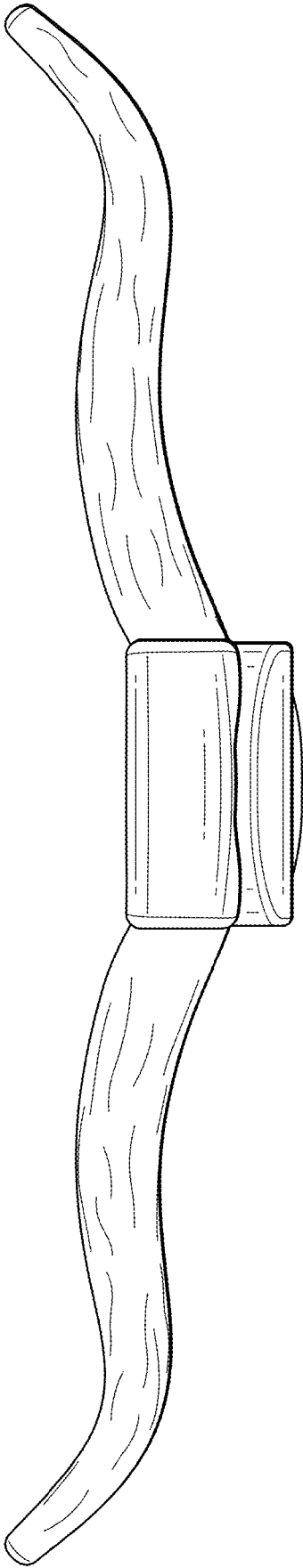


FIG. 6

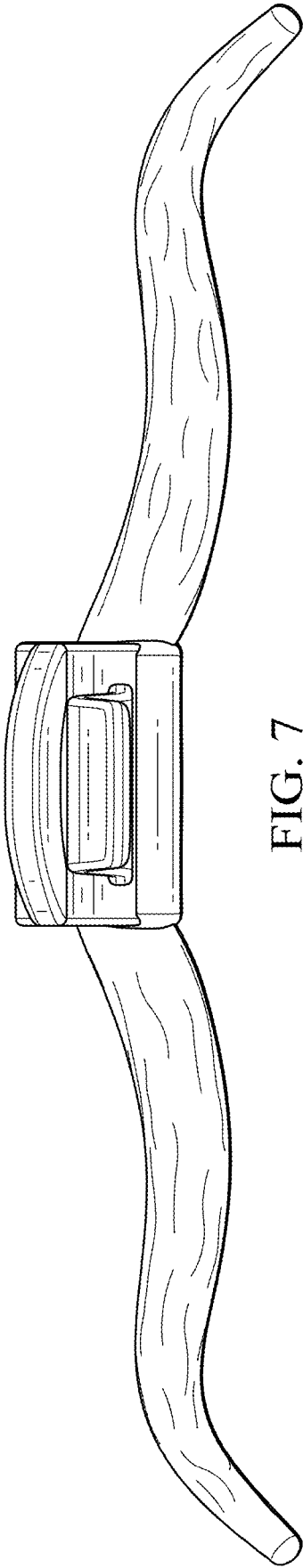


FIG. 7