

(19) World Intellectual Property Organization  
International Bureau



(43) International Publication Date  
8 February 2007 (08.02.2007)

PCT

(10) International Publication Number  
WO 2007/015960 A3

- (51) International Patent Classification:  
B28B 23/00 (2006.01) B29D 22/00 (2006.01)
- (21) International Application Number:  
PCT/US2006/028332
- (22) International Filing Date: 21 July 2006 (21.07.2006)
- (25) Filing Language: English
- (26) Publication Language: English
- (30) Priority Data:  
11/192,748 29 July 2005 (29.07.2005) US

(74) Agents: BOLAND, Kevin, J. et al.; W.L. GORE & ASSOCIATES, INC., 551 Paper Mill Road, P.O. Box 9206, Newark, DE 19714-9206 (US).

(81) Designated States (unless otherwise indicated, for every kind of national protection available): AE, AG, AL, AM, AT, AU, AZ, BA, BB, BG, BR, BW, BY, BZ, CA, CH, CN, CO, CR, CU, CZ, DE, DK, DR, DZ, EC, EE, EG, ES, FI, GB, GD, GE, GH, GM, HN, HR, HU, ID, IL, IN, IS, JP, KE, KG, KM, KN, KP, KR, KZ, LA, LC, LK, LR, LS, LT, LU, LV, LY, MA, MD, MG, MK, MN, MW, MX, MZ, NA, NG, NI, NO, NZ, OM, PG, PH, PL, PT, RO, RS, RU, SC, SD, SE, SG, SK, SL, SM, SY, TJ, TM, TN, TR, TT, TZ, UA, UG, US, UZ, VC, VN, ZA, ZM, ZW.

(71) Applicant (for all designated States except US): GORE ENTERPRISE HOLDINGS, INC. [US/US]; 551 Paper Mill Road, P.O. Box 9206, Newark, DE 19714-9206 (US).

(84) Designated States (unless otherwise indicated, for every kind of regional protection available): ARIPO (BW, GH, GM, KE, LS, MW, MZ, NA, SD, SL, SZ, TZ, UG, ZM, ZW), Eurasian (AM, AZ, BY, KG, KZ, MD, RU, TJ, TM), European (AT, BE, BG, CH, CY, CZ, DE, DK, EE, ES, FI, FR, GB, GR, HU, IE, IS, IT, LT, LU, LV, MC, NL, PL, PT, RO, SE, SI, SK, TR), OAPI (BF, BJ, CF, CG, CI, CM, GA, GN, GQ, GW, ML, MR, NE, SN, TD, TG).

(72) Inventors; and

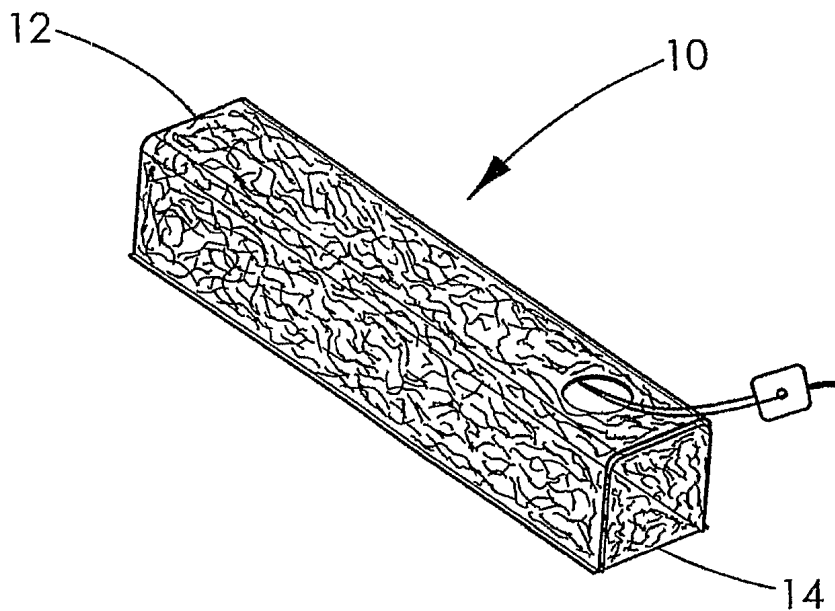
(75) Inventors/Applicants (for US only): BAUMAN, Ann, M. [US/US]; 868 N. Fox Hill Rd., Flagstaff, AZ 86004 (US). FARNSWORTH, Ted, R. [US/US]; 628 N. Pine Cliff Dr., Flagstaff, AZ 86001 (US). FLYNN, Charles [US/US]; 2600 N. Valley View Rd. #111, Flagstaff, AZ 86004 (US). GABRYS, Daniel, S. [US/US]; 779 N. Canyon Terrace, Flagstaff, AZ 86001 (US). WHITE, Charles, F. [US/US]; 603 Azure Drive, Camp Verde, AZ 86322 (US).

Published:

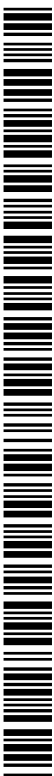
— with international search report

(88) Date of publication of the international search report:  
7 May 2009

(54) Title: COMPOSITE SELF-COHERED WEB MATERIALS



(57) Abstract: The present invention is directed to implantable bioabsorbable non-woven self-cohered web materials having a high degree of porosity. The web materials are very supple and soft, while exhibiting proportionally increased mechanical strength in one or more directions. The web materials often possess a high degree of loft. The web materials can be formed into a variety of shapes and forms suitable for use as implantable medical devices or components thereof.



WO 2007/015960 A3

INTERNATIONAL SEARCH REPORT

International application No.

PCT/US 06/28332

<p>A. CLASSIFICATION OF SUBJECT MATTER                  IPC(8)- B28B 23/00 (2007.01); B29D 22/00 (2007.01)                  USPC- 428/36.4</p> <p>According to International Patent Classification (IPC) or to both national classification and IPC</p>														
<p>B. FIELDS SEARCHED</p> <p>Minimum documentation searched (classification system followed by classification symbols)                  USPC- 428/36.4</p> <p>Documentation searched other than minimum documentation to the extent that such documents are included in the fields searched                  USPC: 424/423; 428/36.4 (see key words below)</p> <p>Electronic data base consulted during the international search (name of data base and, where practicable, search terms used)                  PubWEST (USPT, PGPB, EPAB, JPAB) and Google scholar/patent                  Search terms: implant, porosity, cohesive, non-woven fiber, pledget, polyglyconate, bioabsorbable, stretch fluoropolymer, polyglycolide, polytrimethylene carbonate</p>														
<p>C. DOCUMENTS CONSIDERED TO BE RELEVANT</p> <table border="1"> <thead> <tr> <th>Category*</th> <th>Citation of document, with indication, where appropriate, of the relevant passages</th> <th>Relevant to claim No.</th> </tr> </thead> <tbody> <tr> <td>Y</td> <td>US 6,165,217 A (Hayes) 26 December 2000 (26.12.2000) claim 1-6, 8, 10, 22-27, 29 and 31</td> <td>1-11 and 16-30</td> </tr> <tr> <td>Y</td> <td>US 2005/0165447 A1 (Crawley et al.) 28 July 2005 (28.07.2005) para [0010]-[0013] and [0018]</td> <td>1-11 and 16-30</td> </tr> <tr> <td>Y</td> <td>US 2004/0126405 A1 (Sahatjian et al.) 01 July 2004 (01.07.2004) para [0020] and [0037]</td> <td>2-3, 19-20</td> </tr> </tbody> </table>			Category*	Citation of document, with indication, where appropriate, of the relevant passages	Relevant to claim No.	Y	US 6,165,217 A (Hayes) 26 December 2000 (26.12.2000) claim 1-6, 8, 10, 22-27, 29 and 31	1-11 and 16-30	Y	US 2005/0165447 A1 (Crawley et al.) 28 July 2005 (28.07.2005) para [0010]-[0013] and [0018]	1-11 and 16-30	Y	US 2004/0126405 A1 (Sahatjian et al.) 01 July 2004 (01.07.2004) para [0020] and [0037]	2-3, 19-20
Category*	Citation of document, with indication, where appropriate, of the relevant passages	Relevant to claim No.												
Y	US 6,165,217 A (Hayes) 26 December 2000 (26.12.2000) claim 1-6, 8, 10, 22-27, 29 and 31	1-11 and 16-30												
Y	US 2005/0165447 A1 (Crawley et al.) 28 July 2005 (28.07.2005) para [0010]-[0013] and [0018]	1-11 and 16-30												
Y	US 2004/0126405 A1 (Sahatjian et al.) 01 July 2004 (01.07.2004) para [0020] and [0037]	2-3, 19-20												
<p><input type="checkbox"/> Further documents are listed in the continuation of Box C. <input type="checkbox"/></p>														
<p>* Special categories of cited documents:</p> <table border="0"> <tr> <td> <p>"A" document defining the general state of the art which is not considered to be of particular relevance</p> <p>"E" earlier application or patent but published on or after the international filing date</p> <p>"L" document which may throw doubts on priority claim(s) or which is cited to establish the publication date of another citation or other special reason (as specified)</p> <p>"O" document referring to an oral disclosure, use, exhibition or other means</p> <p>"P" document published prior to the international filing date but later than the priority date claimed</p> </td> <td> <p>"T" later document published after the international filing date or priority date and not in conflict with the application but cited to understand the principle or theory underlying the invention</p> <p>"X" document of particular relevance; the claimed invention cannot be considered novel or cannot be considered to involve an inventive step when the document is taken alone</p> <p>"Y" document of particular relevance; the claimed invention cannot be considered to involve an inventive step when the document is combined with one or more other such documents, such combination being obvious to a person skilled in the art</p> <p>"&amp;" document member of the same patent family</p> </td> </tr> </table>			<p>"A" document defining the general state of the art which is not considered to be of particular relevance</p> <p>"E" earlier application or patent but published on or after the international filing date</p> <p>"L" document which may throw doubts on priority claim(s) or which is cited to establish the publication date of another citation or other special reason (as specified)</p> <p>"O" document referring to an oral disclosure, use, exhibition or other means</p> <p>"P" document published prior to the international filing date but later than the priority date claimed</p>	<p>"T" later document published after the international filing date or priority date and not in conflict with the application but cited to understand the principle or theory underlying the invention</p> <p>"X" document of particular relevance; the claimed invention cannot be considered novel or cannot be considered to involve an inventive step when the document is taken alone</p> <p>"Y" document of particular relevance; the claimed invention cannot be considered to involve an inventive step when the document is combined with one or more other such documents, such combination being obvious to a person skilled in the art</p> <p>"&amp;" document member of the same patent family</p>										
<p>"A" document defining the general state of the art which is not considered to be of particular relevance</p> <p>"E" earlier application or patent but published on or after the international filing date</p> <p>"L" document which may throw doubts on priority claim(s) or which is cited to establish the publication date of another citation or other special reason (as specified)</p> <p>"O" document referring to an oral disclosure, use, exhibition or other means</p> <p>"P" document published prior to the international filing date but later than the priority date claimed</p>	<p>"T" later document published after the international filing date or priority date and not in conflict with the application but cited to understand the principle or theory underlying the invention</p> <p>"X" document of particular relevance; the claimed invention cannot be considered novel or cannot be considered to involve an inventive step when the document is taken alone</p> <p>"Y" document of particular relevance; the claimed invention cannot be considered to involve an inventive step when the document is combined with one or more other such documents, such combination being obvious to a person skilled in the art</p> <p>"&amp;" document member of the same patent family</p>													
<p>Date of the actual completion of the international search</p> <p>18 June 2007 (18.06.2007)</p>		<p>Date of mailing of the international search report</p> <p>22 JAN 2008</p>												
<p>Name and mailing address of the ISA/US</p> <p>Mail Stop PCT, Attn: ISA/US, Commissioner for Patents                  P.O. Box 1450, Alexandria, Virginia 22313-1450                  Facsimile No. 571-273-3201</p>		<p>Authorized officer:</p> <p>Lee W. Young</p> <p>PCT Helpdesk: 571-272-4300                  PCT OSP: 571-272-7774</p>												