

CORRECTED VERSION

(19) World Intellectual Property Organization
International Bureau



(43) International Publication Date
21 January 2010 (21.01.2010)

(10) International Publication Number
WO 2010/008900 A8

- (51) International Patent Classification: **G01C 22/00** (2006.01)
- (21) International Application Number: PCT/US2009/048523
- (22) International Filing Date: 24 June 2009 (24.06.2009)
- (25) Filing Language: English
- (26) Publication Language: English
- (30) Priority Data:

61/075,330	24 June 2008 (24.06.2008)	US
12/490,304	23 June 2009 (23.06.2009)	US
- (71) Applicant (for all designated States except US): **DP TECHNOLOGIES, INC.** [US/US]; 245-M Mt. Hermon Road, #363, Scotts Valley, CA 95066 (US).
- (72) Inventors; and
- (75) Inventors/Applicants (for US only): **KAHN, Philippe** [US/US]; 777 Hudson Lane, Aptos, CA 95003 (US). **KINSOLVING, Arthur** [US/US]; 101 Soquel Avenue #403, Santa Cruz, CA 95060 (US). **CHRISTENSEN, Mark, Andrew** [NZ/US]; 107 Brookwood Drive, Santa Cruz, CA 950635 (US). **LEE, Brian, Y.** [US/US]; 777 Hudson Lane, Aptos, CA 95003 (US). **VOGEL, David** [US/US]; 600 Beel Drive, Santa Cruz, CA 95060 (US).
- (74) Agents: **VINCENT, Lester, J.** et al.; Blakely, Sokoloff, Taylor & Zafman LLP, 1279 Oakmead Parkway, Sunnyvale, CA 94085-4040 (US).
- (81) Designated States (unless otherwise indicated, for every kind of national protection available): AE, AG, AL, AM, AO, AT, AU, AZ, BA, BB, BG, BH, BR, BW, BY, BZ, CA, CH, CL, CN, CO, CR, CU, CZ, DE, DK, DM, DO, DZ, EC, EE, EG, ES, FI, GB, GD, GE, GH, GM, GT, HN, HR, HU, ID, IL, IN, IS, JP, KE, KG, KM, KN, KP, KR, KZ, LA, LC, LK, LR, LS, LT, LU, LY, MA, MD, ME, MG, MK, MN, MW, MX, MY, MZ, NA, NG, NI, NO, NZ, OM, PE, PG, PH, PL, PT, RO, RS, RU, SC, SD, SE, SG, SK, SL, SM, ST, SV, SY, TJ, TM, TN, TR, TT, TZ, UA, UG, US, UZ, VC, VN, ZA, ZM, ZW.
- (84) Designated States (unless otherwise indicated, for every kind of regional protection available): ARIPO (BW, GH, GM, KE, LS, MW, MZ, NA, SD, SL, SZ, TZ, UG, ZM, ZW), Eurasian (AM, AZ, BY, KG, KZ, MD, RU, TJ, TM), European (AT, BE, BG, CH, CY, CZ, DE, DK, EE, ES, FI, FR, GB, GR, HR, HU, IE, IS, IT, LT, LU, LV, MC, MK, MT, NL, NO, PL, PT, RO, SE, SI, SK, TR),

[Continued on next page]

(54) Title: PROGRAM SETTING ADJUSTMENTS BASED ON ACTIVITY IDENTIFICATION

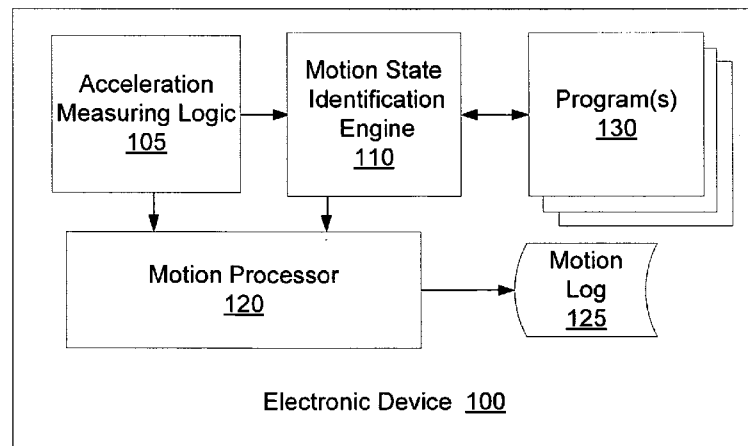


Figure 1

(57) Abstract: An electronic device monitors accelerations using an inertial sensor. The electronic device identifies a current motion state based on the accelerations. The electronic device determines an application that subscribes to a motion state identification service and notifies the application of the current motion state.

WO 2010/008900 A8



OAPI (BF, BJ, CF, CG, CI, CM, GA, GN, GQ, GW, ML,
MR, NE, SN, TD, TG).

(48) Date of publication of this corrected version:

11 March 2010

Published:

— *with international search report (Art. 21(3))*

(15) Information about Correction:

see Notice of 11 March 2010