



US00D777544S

(12) **United States Design Patent**
Cooper

(10) **Patent No.:** **US D777,544 S**

(45) **Date of Patent:** **** Jan. 31, 2017**

(54) **DRILL DRIVER**

(71) Applicant: **BLACK & DECKER INC.**, Newark, DE (US)

(72) Inventor: **Joseph B. Cooper**, Baltimore, MD (US)

(73) Assignee: **BLACK & DECKER INC.**, New Britain, CT (US)

(**) Term: **15 Years**

(21) Appl. No.: **29/528,381**

(22) Filed: **May 28, 2015**

(51) **LOC (10) Cl.** **08-04**

(52) **U.S. Cl.**
USPC **D8/68**

(58) **Field of Classification Search**

USPC ... D8/61, 67, 68; 81/57.4, 489; 173/48, 109,
173/170, 178, 217; 408/124, 125;
362/119; 475/149

CPC B62D 23/005; B62D 29/00; B62D 29/043;
B62D 31/00; B62D 33/046; B62D 35/00;
B62D 35/001; B60Q 1/0005

See application file for complete search history.

(56) **References Cited**

U.S. PATENT DOCUMENTS

D466,777 S *	12/2002	Watson	D8/68
D466,779 S *	12/2002	Shibata	D8/68
D466,781 S *	12/2002	Matsuoka	D8/68
D508,643 S *	8/2005	Concari	D8/68
D515,377 S *	2/2006	Chung	D8/68
D525,848 S *	8/2006	Kokawa	D8/68
D527,971 S *	9/2006	Kokawa	D8/68
D536,944 S *	2/2007	Tsai	D8/68
D556,002 S *	11/2007	Ino	D8/68
D574,688 S *	8/2008	Yamamoto	D8/68
D628,454 S *	12/2010	Misaki	D8/68

D642,037 S *	7/2011	Miller	D8/68
D646,947 S *	10/2011	Lopano	D8/68
D670,989 S *	11/2012	Kawase	D8/61
D675,500 S *	2/2013	Taniguchi	D8/68
D678,025 S *	3/2013	Naksen	D8/68
D678,744 S *	3/2013	Aoki	D8/68
D679,161 S *	4/2013	Kawase	D8/61
D684,028 S *	6/2013	Costoli	173/90
D685,245 S *	7/2013	Tirone	D8/68
D700,821 S *	3/2014	Tschopp	D8/68
D708,496 S *	7/2014	Zhou	D8/68
2015/0041164 A1 *	2/2015	Sergyeyenko	B25B 21/008 173/1

OTHER PUBLICATIONS

Neundorf, Matt. "No Strings Attached: Best Cordless Power Tool Combo Kits." Gear Patrol., Jan. 8, 2014 [online], [retrieved on Aug. 4, 2016]. Retrieved from the Internet <URL: <http://gearpatrol.com/2014/01/08/round-best-cordless-power-tool-combo-kits/>>.*

(Continued)

Primary Examiner — Darlington Ly

(74) *Attorney, Agent, or Firm* — Stepehn R. Valancius

(57)

CLAIM

The ornamental design for a drill driver, as shown and described.

DESCRIPTION

FIG. 1 is a front perspective view of a drill driver showing my new design;

FIG. 2 is a front elevation view thereof;

FIG. 3 is a rear elevation view thereof;

FIG. 4 is a right side elevation view thereof;

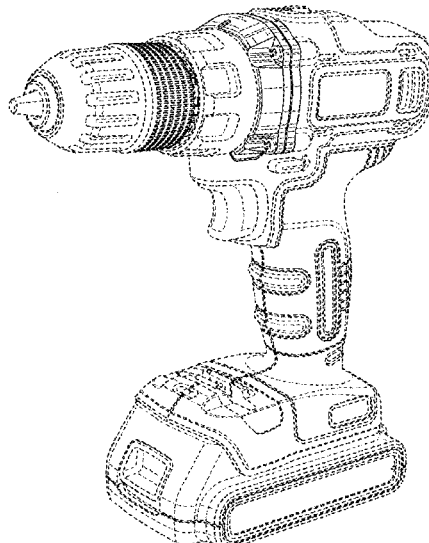
FIG. 5 is a left side elevation view thereof;

FIG. 6 is a top plan view thereof; and,

FIG. 7 is a bottom plan view thereof.

The broken lines in the drawings illustrate portions of the drill driver that forms no part of the claimed design.

1 Claim, 7 Drawing Sheets



(56)

References Cited

OTHER PUBLICATIONS

Deutsch, Stuart. "Best Cordless Drills 2014 Edition." Tool Guyd., Jun. 11, 2014 [online], [retrieved on Aug. 4, 2016]. Retrieved from the Internet <URL: <http://toolguyd.com/best-cordless-drills-2014-edition/>>.*

Berendohn, Roy. "The Top 20-Volt Drill/Drivers, Tested." Popular Mechanics., Jun. 12, 2014 [online], [retrieved on Aug. 4, 2016]. Retrieved from the Internet <URL: <http://www.popularmechanics.com/home/tools/reviews/g1540/the-top-20v-drill-drivers-tested/>>.*

DIY Hubby. "Cordless Drill Reviews." The DIY Hubby., Jan. 2, 2016 [online], [retrieved on Aug. 4, 2016]. Retrieved from the Internet <URL: <http://www.thedyhubby.com/cordless-drill-reviews/>>.*

* cited by examiner

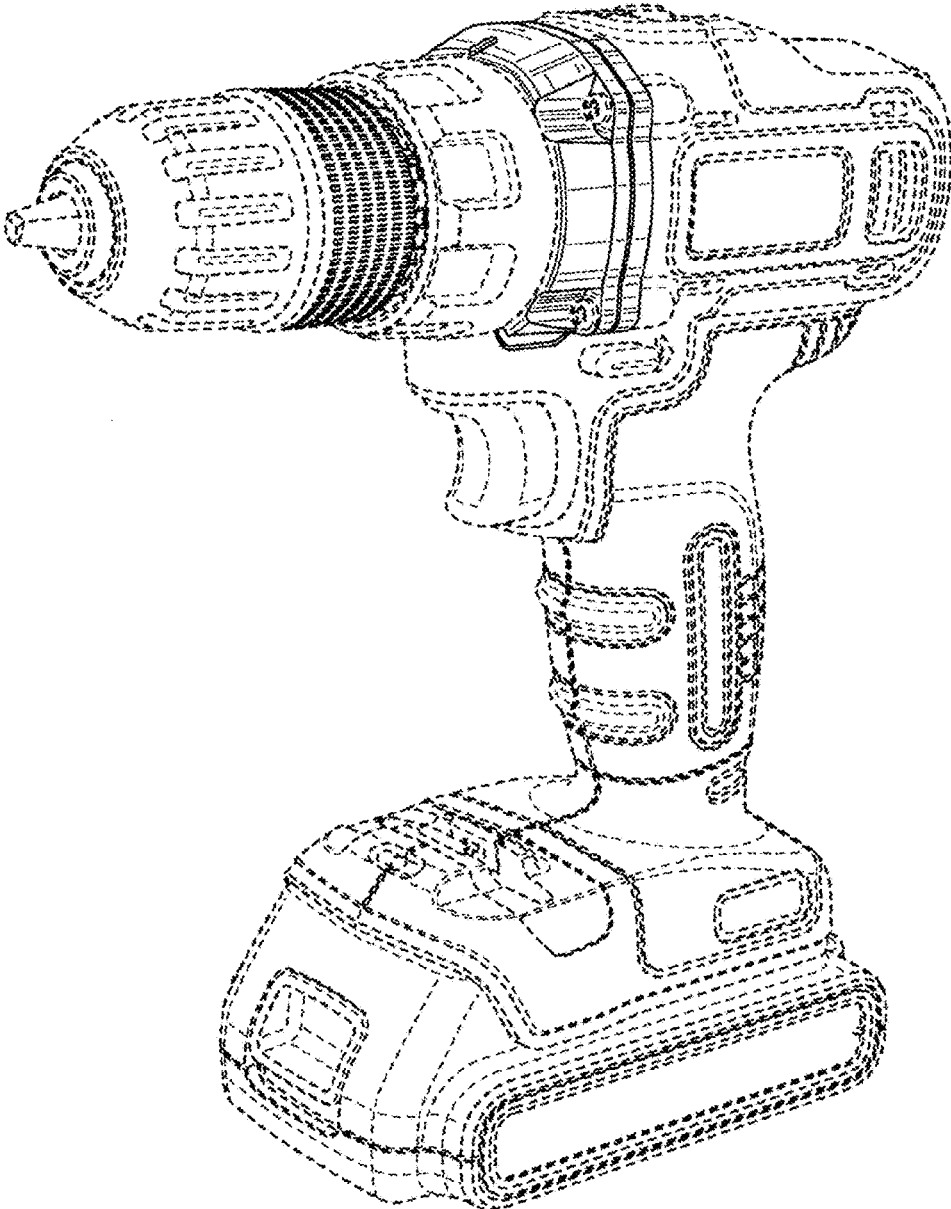


FIG. 1

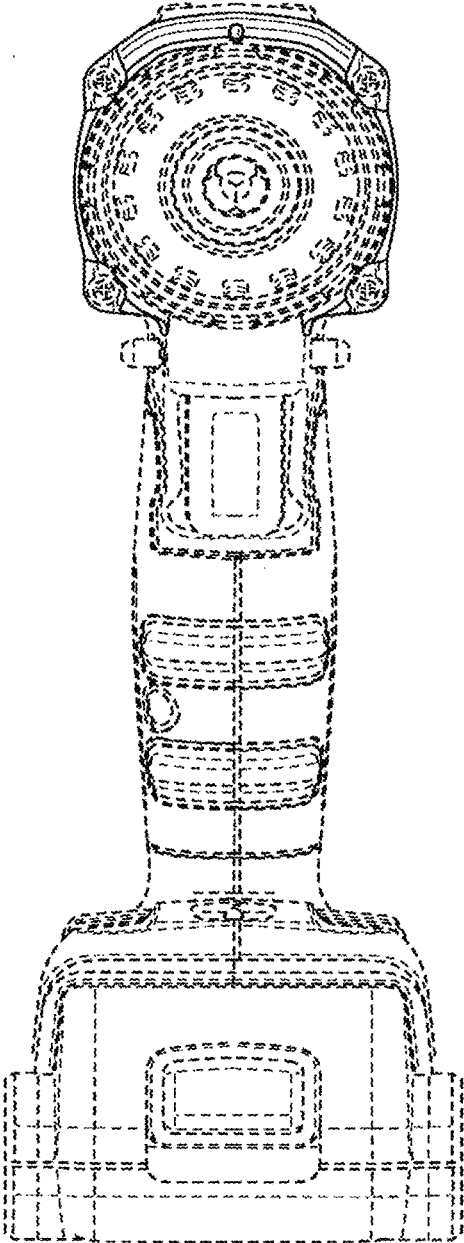


FIG. 2

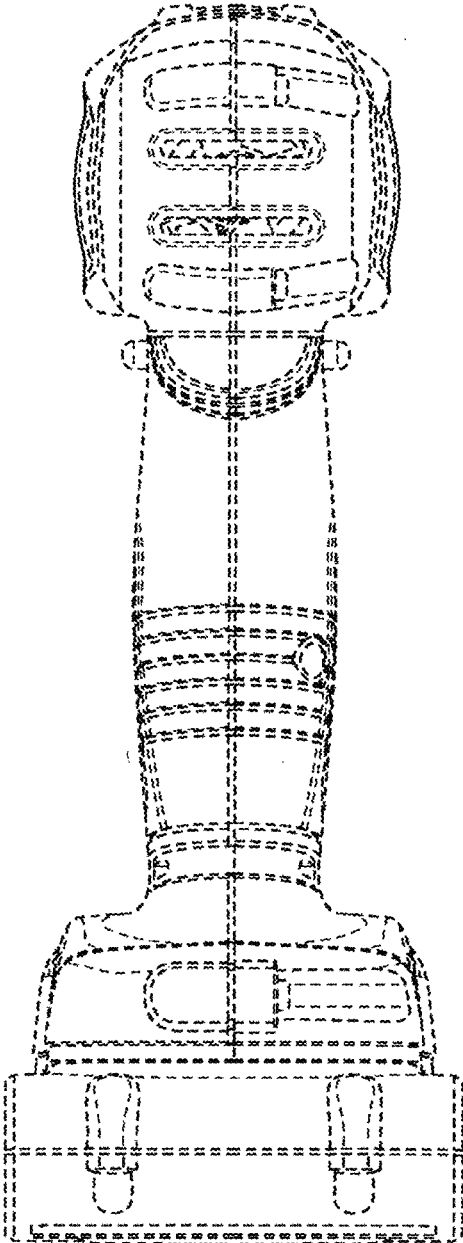


FIG. 3

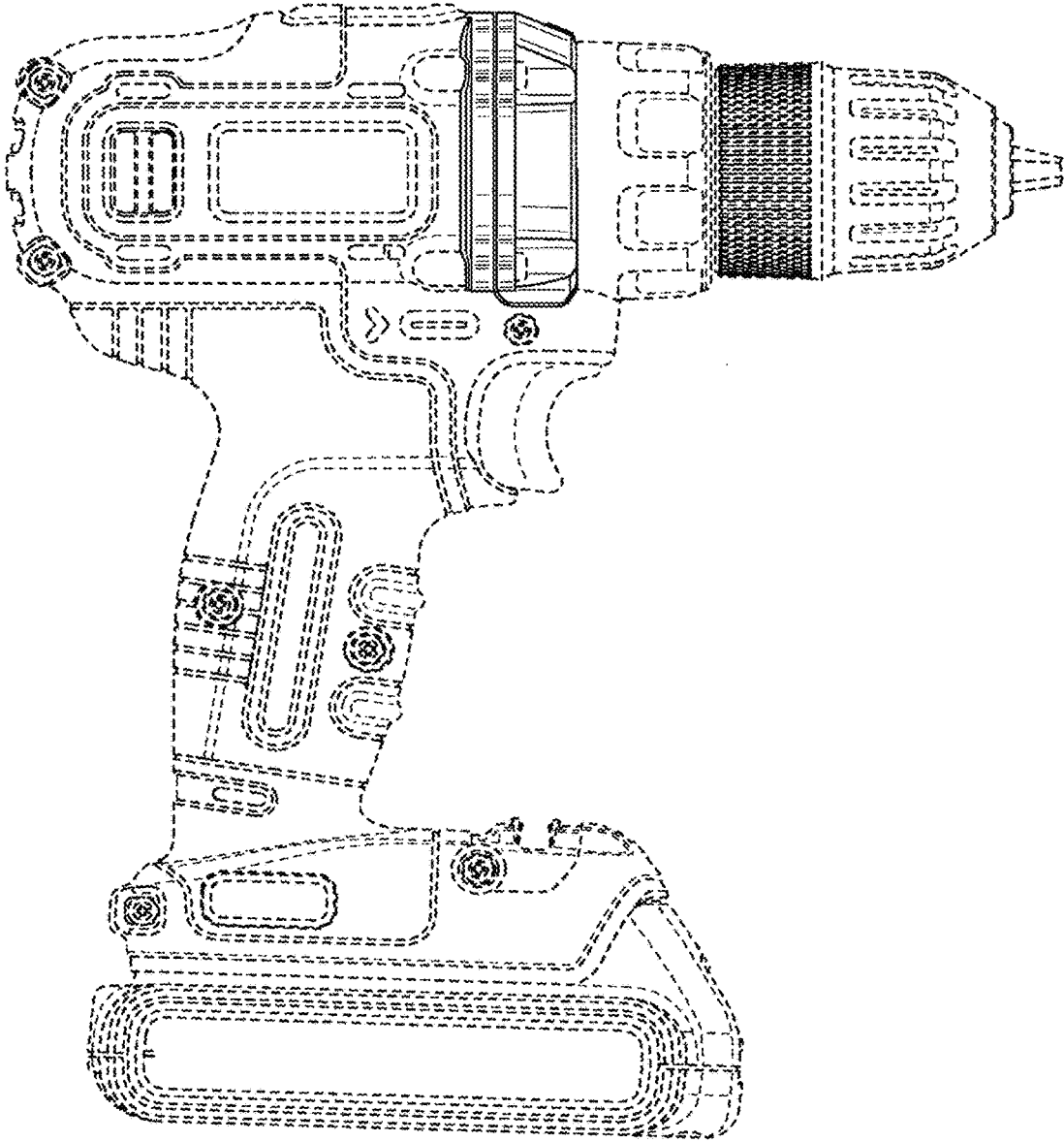


FIG.4

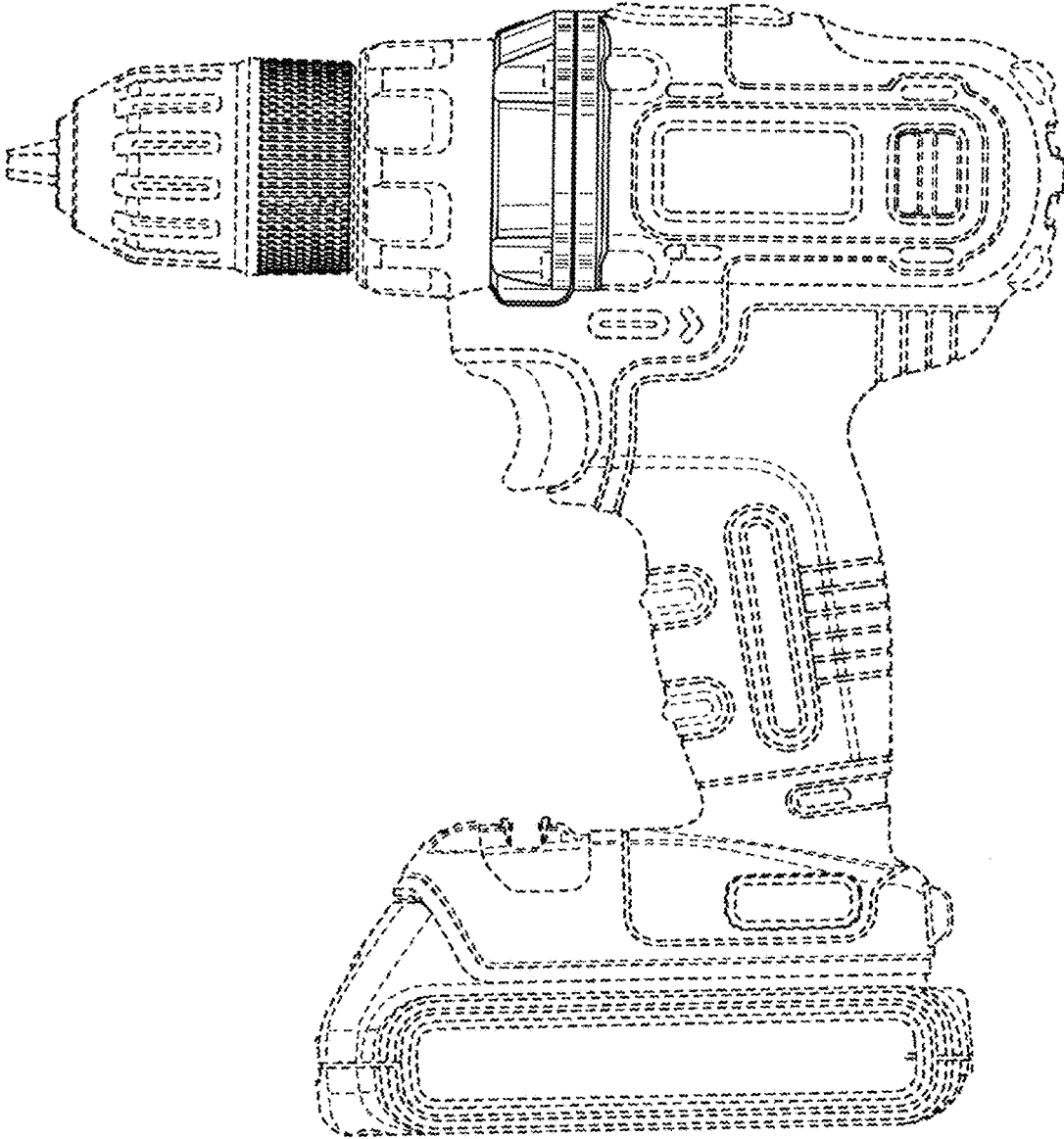


FIG. 5

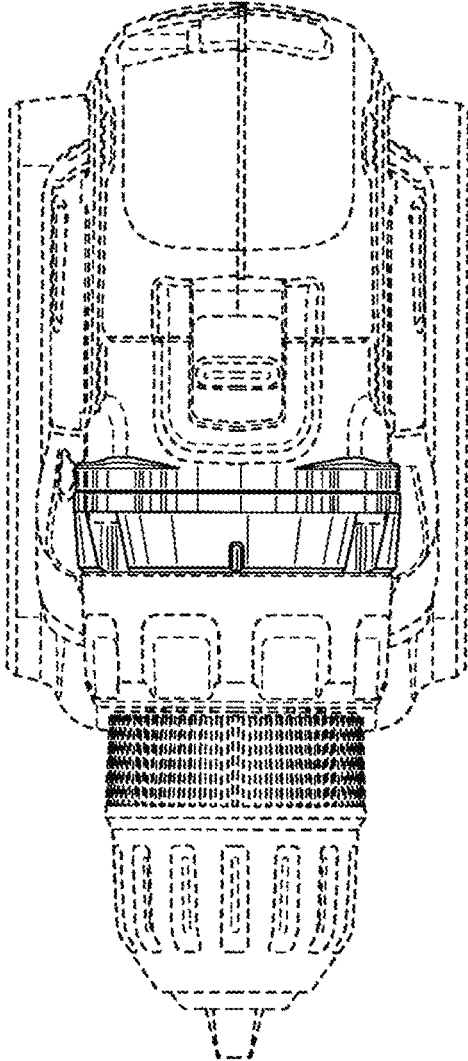


FIG. 6

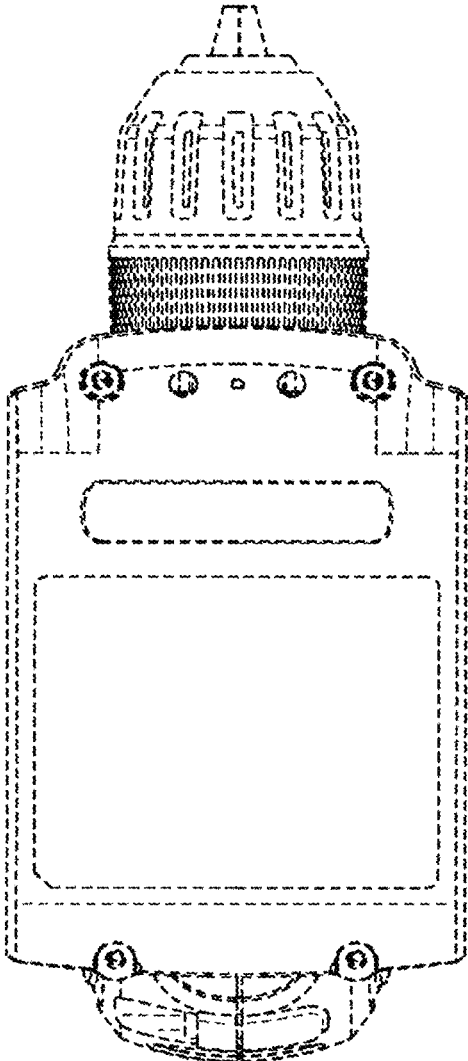


FIG. 7