



US00D582722S

(12) **United States Design Patent**  
**Peña**

(10) **Patent No.:** **US D582,722 S**

(45) **Date of Patent:** **\*\* Dec. 16, 2008**

(54) **BEVERAGE DISPENSER**

(75) Inventor: **James A. Peña**, Encinitas, CA (US)

(73) Assignee: **Sturman BG, LLC**, Woodland Park, CO (US)

(\*\*) Term: **14 Years**

(21) Appl. No.: **29/305,974**

(22) Filed: **Mar. 31, 2008**

(51) **LOC (8) Cl.** ..... **07-01**

(52) **U.S. Cl.** ..... **D7/398**

(58) **Field of Classification Search** ..... D7/306,  
D7/397, 398, 313, 368, 387, 392, 392.1, 395,  
D7/300, 311; D20/4; D23/238, 233, 242,  
D23/213, 249, 255, 262; 137/600; D6/512,  
D6/553; D9/434, 435; 222/222, 255, 481,  
222/568, 566, 569

See application file for complete search history.

(56) **References Cited**

**U.S. PATENT DOCUMENTS**

D124,228 S \* 12/1940 Cornelius ..... D7/398  
2,373,294 A \* 4/1945 Cornelius ..... 137/600  
D154,879 S \* 8/1949 Rosander ..... D7/398  
2,973,003 A \* 2/1961 Steele ..... 137/170.1  
D200,230 S \* 2/1965 Seltsam ..... D7/398  
3,233,631 A \* 2/1966 Cornelius ..... 137/637.2  
4,166,606 A \* 9/1979 Kawolics et al. .... 251/214

4,273,288 A \* 6/1981 Lagneaux ..... 239/419.3  
4,655,374 A \* 4/1987 Guerette ..... 222/504  
4,720,076 A \* 1/1988 Hyde ..... 251/122  
D304,852 S \* 11/1989 Tilton ..... D23/252  
D517,648 S \* 3/2006 Kulig et al. .... D23/238  
D560,965 S \* 2/2008 Sommerfield ..... D7/398

\* cited by examiner

*Primary Examiner*—Philip Hyder

*Assistant Examiner*—Cynthia Underwood

(74) *Attorney, Agent, or Firm*—Blakely, Sokoloff, Taylor & Zafman LLP

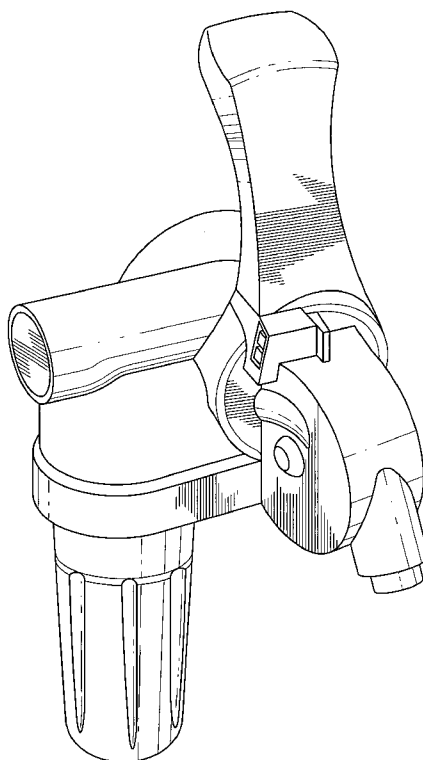
(57) **CLAIM**

The ornamental design for a beverage dispenser, as shown and described.

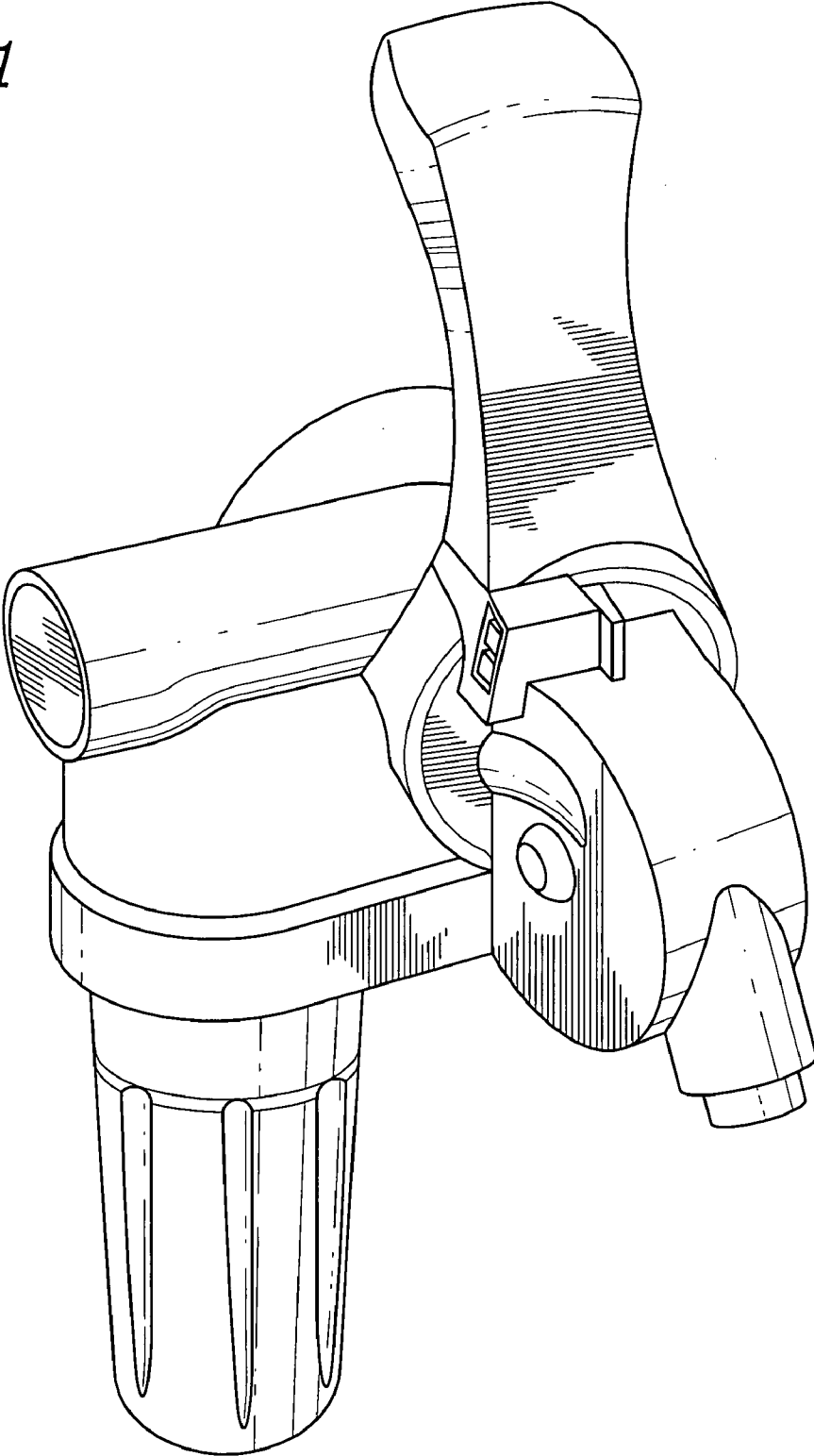
**DESCRIPTION**

FIG. 1 is a front perspective view of the beverage dispenser; FIG. 2 is a first side view thereof; FIG. 3 is a second side view thereof; FIG. 4 is a front view thereof; FIG. 5 is a rear view thereof; FIG. 6 is a top view thereof; FIG. 7 is a bottom view thereof; and, FIG. 8 is a perspective view thereof showing the dispenser handle at a different relative orientation.

**1 Claim, 5 Drawing Sheets**



*FIG. 1*



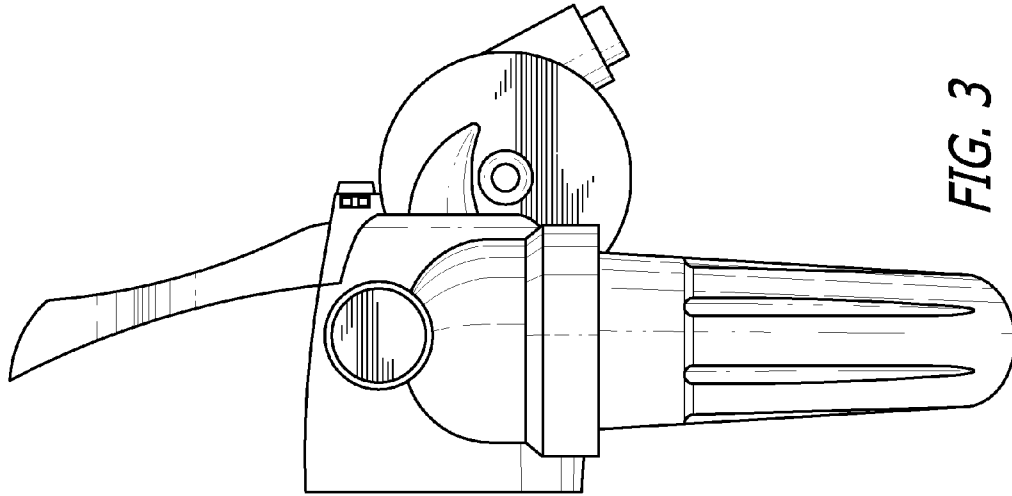


FIG. 3

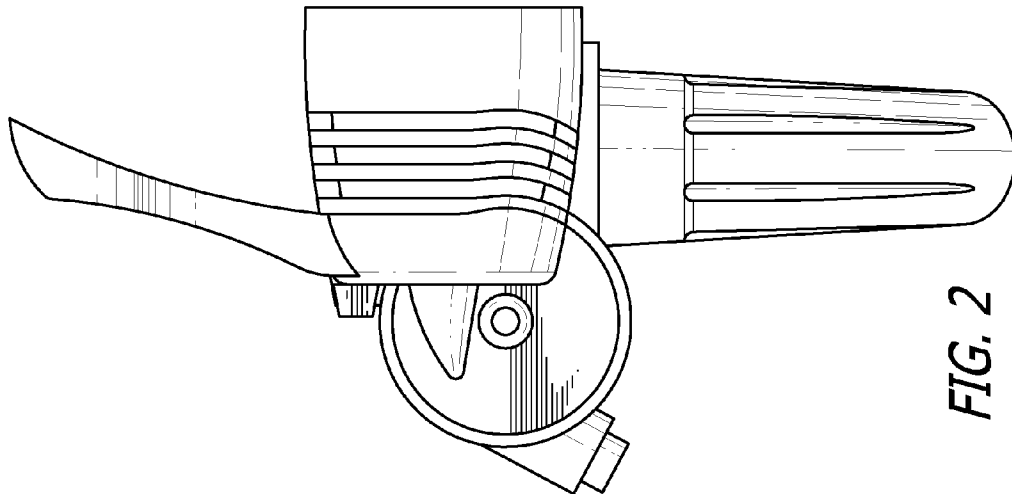


FIG. 2

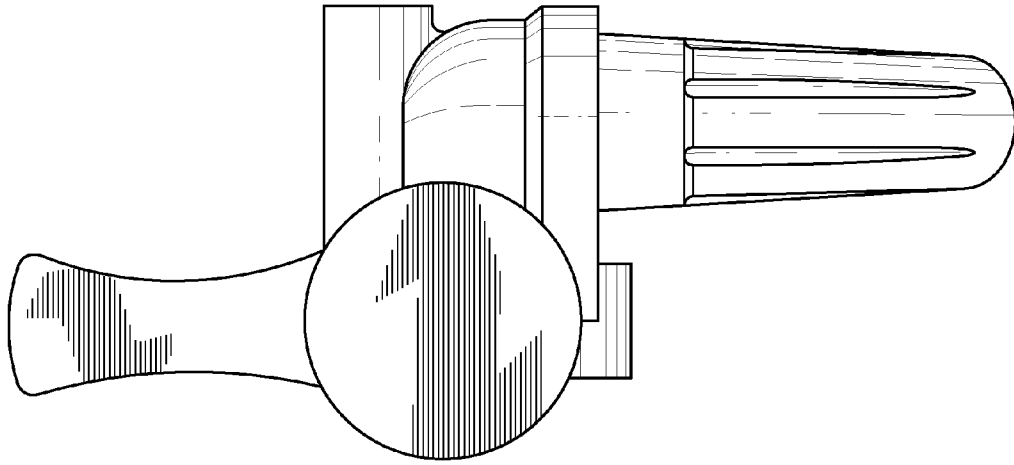


FIG. 5

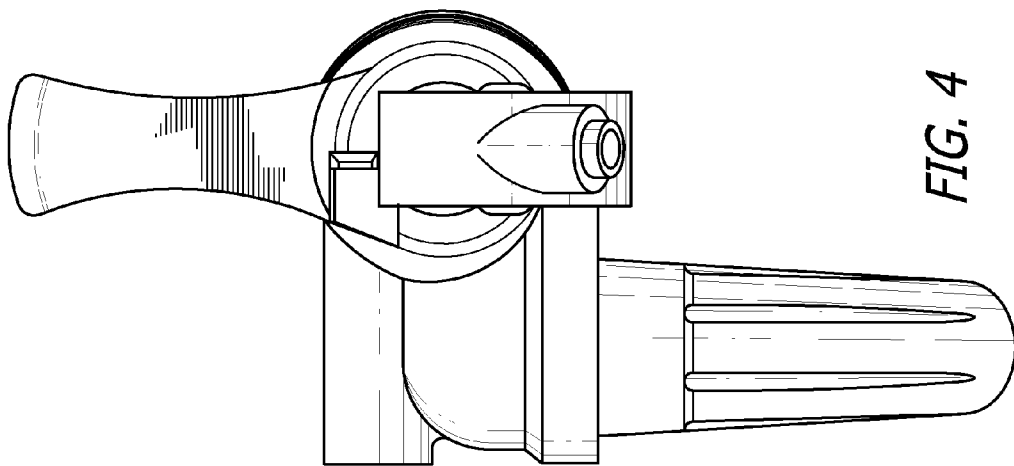
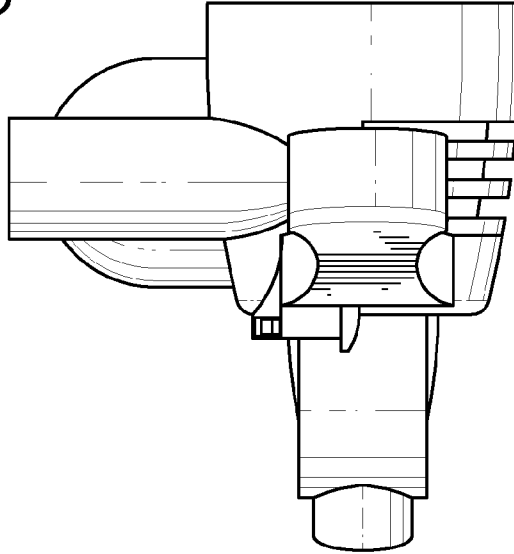


FIG. 4

*FIG. 6*



*FIG. 7*

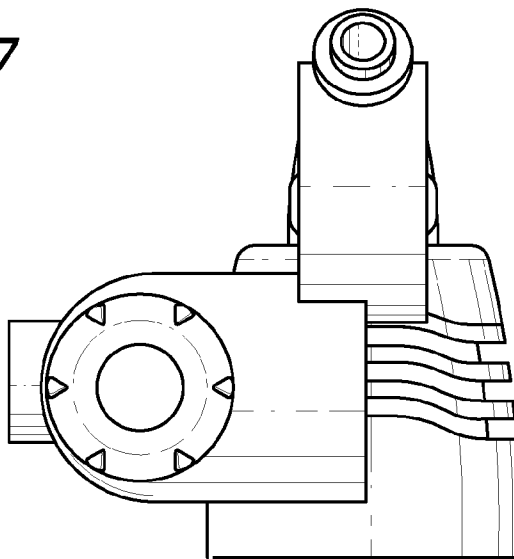


FIG. 8

