



US00D741795S

(12) **United States Design Patent**  
**Conrad et al.**

(10) **Patent No.:** **US D741,795 S**

(45) **Date of Patent:** **\*\* Oct. 27, 2015**

(54) **RADIO CHARGER**

(71) Applicant: **Milwaukee Electric Tool Corporation,**  
Brookfield, WI (US)

(72) Inventors: **Cole A. Conrad,** Milwaukee, WI (US);  
**Jason R. Crowe,** Seattle, WA (US);  
**Justin D. Dorman,** Wauwatosa, WI (US)

(73) Assignee: **Milwaukee Electric Tool Corporation,**  
Brookfield, WI (US)

(\*\*) Term: **14 Years**

(21) Appl. No.: **29/470,939**

(22) Filed: **Oct. 25, 2013**

(51) **LOC (10) Cl.** ..... **13-02**

(52) **U.S. Cl.**  
USPC ..... **D13/108; D14/188**

(58) **Field of Classification Search**  
USPC ..... D13/107-110, 118-119, 182, 199;  
D14/251, 253, 432, 434, 168, 172, 188,  
D14/194, 196-198; 320/107-115  
CPC ..... Y02E 60/12; Y02T 90/14; Y02T 90/122;  
Y02T 90/128; Y02T 90/163; H02J 7/025;  
H02J 7/0042; H02J 7/0044; H02J 7/00045;  
H02J 7/0003; H01F 38/14; H01R 13/6675;  
H01M 2/1022; H01M 2/1055; H01M 10/44;  
H01M 10/46; H01M 10/425; B60L 11/182;  
H04R 1/02; H04R 9/06

See application file for complete search history.

(56) **References Cited**

**U.S. PATENT DOCUMENTS**

4,835,409 A 5/1989 Bhagwat et al.  
5,603,095 A 2/1997 Uola  
5,625,608 A 4/1997 Grewe et al.  
D396,859 S \* 8/1998 Isonaga ..... D14/168

5,898,398 A 4/1999 Kumai  
5,905,438 A 5/1999 Weiss et al.  
5,909,183 A 6/1999 Borgstahl et al.  
D418,836 S \* 1/2000 Matt et al. .... D14/196  
D423,451 S \* 4/2000 Heckenast et al. .... D13/110  
6,236,326 B1 5/2001 Murphy  
6,308,059 B1 10/2001 Domes  
6,366,792 B1 4/2002 Katsuki  
6,427,070 B1 7/2002 Smith  
6,456,837 B1 9/2002 Domes  
D464,619 S \* 10/2002 Krieger et al. .... D13/110  
D464,620 S \* 10/2002 Krieger et al. .... D13/110

(Continued)

**FOREIGN PATENT DOCUMENTS**

WO WO 2012071607 6/2012

*Primary Examiner* — Rosemary K Tarcza

(74) *Attorney, Agent, or Firm* — Michael Best & Friedrich LLP

(57) **CLAIM**

We claim the ornamental design for a radio charger, as shown and described.

**DESCRIPTION**

FIG. 1 is a perspective view of a radio charger according to an embodiment of the invention.

FIG. 2 is a front view of the radio charger shown in FIG. 1.

FIG. 3 is a rear view of the radio charger shown in FIG. 1.

FIG. 4 is a right side view of the radio charger shown in FIG. 1.

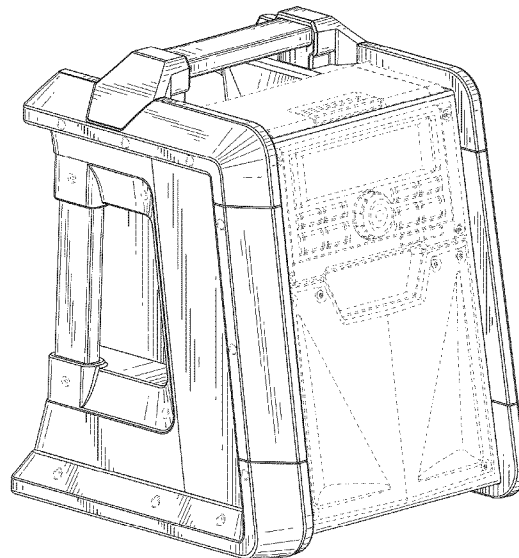
FIG. 5 is a left side view of the radio charger shown in FIG. 1.

FIG. 6 is a top view of the radio charger shown in FIG. 1; and

FIG. 7 is a bottom view of the radio charger shown in FIG. 1.

The elements shown in broken lines are included for the purpose of illustrating environment and form no part of the claimed design.

**1 Claim, 7 Drawing Sheets**



(56)

References Cited

U.S. PATENT DOCUMENTS

D464,935 S *	10/2002	Krieger et al.	.....	D13/110	8,219,071 B2	7/2012	Kokubo	
6,496,688 B2	12/2002	Smith			8,238,894 B2	8/2012	Louch et al.	
6,697,617 B2	2/2004	Liebenow			8,265,617 B2	9/2012	Lazaridis et al.	
6,788,925 B2	9/2004	Domes			D674,371 S *	1/2013	Cho et al.	..... D14/188
6,871,060 B1	3/2005	Strohmeier			8,355,965 B2	1/2013	Yamada	
6,876,873 B2	4/2005	Suzuki			8,390,246 B2	3/2013	Taguchi et al.	
6,977,481 B2	12/2005	Smith			8,415,923 B2	4/2013	Forsythe	
6,982,541 B2	1/2006	Zick et al.			RE44,557 E	10/2013	Domes	
7,003,598 B2	2/2006	Kavanagh			D691,983 S *	10/2013	Vaughan et al.	..... D14/172
7,010,329 B2	3/2006	Livet et al.			D702,181 S *	4/2014	Maki	..... D13/107
7,027,843 B2	4/2006	Cromer et al.			D706,710 S *	6/2014	Inskeep	..... D13/107
D520,445 S	5/2006	Van Wambeke et al.			D723,506 S *	3/2015	Aglassinger	..... D14/188
7,043,283 B2	5/2006	Domes			D726,142 S *	4/2015	Itoh et al.	..... D14/196
7,133,703 B2	11/2006	Aoshima et al.			2002/0023265 A1	2/2002	Metcalf	
D533,161 S *	12/2006	Concari et al.	.....	D14/188	2003/0192061 A1	10/2003	Hwangbo et al.	
7,194,259 B2	3/2007	DeLine			2004/0242286 A1	12/2004	Benco et al.	
7,251,505 B2	7/2007	Shin et al.			2005/0060238 A1	3/2005	Gravina et al.	
7,277,726 B2	10/2007	Ahya et al.			2005/0078834 A1	4/2005	Hirschburger et al.	
D554,583 S *	11/2007	Solland et al.	.....	D13/108	2005/0083639 A1	4/2005	Zick et al.	
7,332,889 B2	2/2008	Glasgow et al.			2005/0225288 A1	10/2005	Cole, Jr. et al.	
7,356,334 B2	4/2008	Yamashita			2006/0135218 A1	6/2006	Son et al.	
D578,551 S *	10/2008	Bonzer	.....	D15/9	2007/0055743 A1	3/2007	Pirtle et al.	
7,466,974 B2	12/2008	Smith			2007/0096691 A1	5/2007	Duncan et al.	
7,471,063 B2	12/2008	Zick et al.			2007/0257808 A1	11/2007	Lin	
D585,822 S *	2/2009	Hsu	.....	D13/107	2008/0007431 A1	1/2008	Jacques	
7,557,537 B2	7/2009	Zick et al.			2008/0045202 A1	2/2008	Chan et al.	
7,602,148 B2	10/2009	Deprun			2008/0075295 A1	3/2008	Mayman et al.	
7,605,742 B2	10/2009	Chuang et al.			2008/0100261 A1	5/2008	Glasgow et al.	
7,609,027 B2	10/2009	Zick et al.			2008/0109734 A1	5/2008	Castagno	
7,650,145 B2	1/2010	Ukita et al.			2008/0268917 A1	10/2008	Chang et al.	
D609,632 S *	2/2010	Daniels et al.	.....	D13/107	2008/0318642 A1	12/2008	Tanaka	
D609,634 S *	2/2010	Daniels et al.	.....	D13/107	2009/0023389 A1	1/2009	Paryani	
D609,635 S *	2/2010	Daniels et al.	.....	D13/107	2009/0066529 A1	3/2009	Fukada	
7,680,490 B2	3/2010	Bloebaum et al.			2009/0098914 A1	4/2009	Martin-Cocher et al.	
7,685,341 B2	3/2010	Steinberg et al.			2009/0128090 A1	5/2009	Bi	
7,715,884 B2	5/2010	Book et al.			2009/0240502 A1	9/2009	Kemplin	
7,741,809 B2	6/2010	Zick et al.			2009/0290745 A1 *	11/2009	Weir et al.	..... 381/387
7,808,205 B2	10/2010	Rao et al.			2009/0319063 A1	12/2009	Pan	
7,835,534 B2	11/2010	Cole, Jr. et al.			2010/0181964 A1	7/2010	Huggins et al.	
7,852,271 B2	12/2010	Grunig et al.			2010/0194667 A1	8/2010	Lee et al.	
7,868,590 B2	1/2011	Zick et al.			2010/0281287 A1	11/2010	Doerksen et al.	
7,907,060 B2	3/2011	Reams			2010/0283624 A1	11/2010	Krueger	
7,915,855 B2	3/2011	Yoon et al.			2010/0297941 A1	11/2010	Doan et al.	
D636,332 S *	4/2011	Hsu	.....	D13/109	2010/0302980 A1	12/2010	Ji et al.	
7,929,998 B1	4/2011	Edwards			2011/0050478 A1	3/2011	Choi et al.	
7,930,369 B2	4/2011	Marriott et al.			2011/0068742 A1	3/2011	McCurry et al.	
7,941,220 B2	5/2011	Tobacman			2011/0081875 A1	4/2011	Imamura et al.	
8,032,189 B2	10/2011	Guthrie et al.			2011/0128007 A1	6/2011	Nishidai et al.	
D649,931 S *	12/2011	James	.....	D13/107	2011/0138317 A1	6/2011	Kang et al.	
8,072,341 B2	12/2011	Sheng			2011/0254692 A1	10/2011	Furuta	
D653,203 S *	1/2012	DuMelle et al.	.....	D13/107	2011/0285570 A1	11/2011	Shirai et al.	
D653,612 S *	2/2012	DuMelle et al.	.....	D13/107	2011/0304443 A1	12/2011	Sheridan et al.	
8,112,032 B2	2/2012	Ko et al.			2011/0313697 A1	12/2011	Staton et al.	
8,135,443 B2	3/2012	Aleksic et al.			2011/0316664 A1	12/2011	Olcott et al.	
8,140,129 B2	3/2012	Suzuki et al.			2012/0025957 A1	2/2012	Yang	
8,155,592 B2	4/2012	Basine			2012/0033140 A1	2/2012	Xu	
8,155,636 B2	4/2012	Cheng			2012/0043937 A1	2/2012	Williams	
8,169,188 B2	5/2012	Kogan et al.			2012/0115549 A1	5/2012	Kim et al.	
8,177,182 B1	5/2012	Wood et al.			2012/0131364 A1	5/2012	Gromat et al.	
8,199,958 B2	6/2012	Weir et al.			2012/0174165 A1	7/2012	Mondragon et al.	
8,200,292 B2	6/2012	Wu et al.			2012/0187851 A1	7/2012	Huggins et al.	
8,203,307 B2	6/2012	Zick et al.			2012/0208481 A1	8/2012	Bose	
					2012/0217971 A1	8/2012	Deluca	
					2012/0224698 A1	9/2012	Yang	

\* cited by examiner

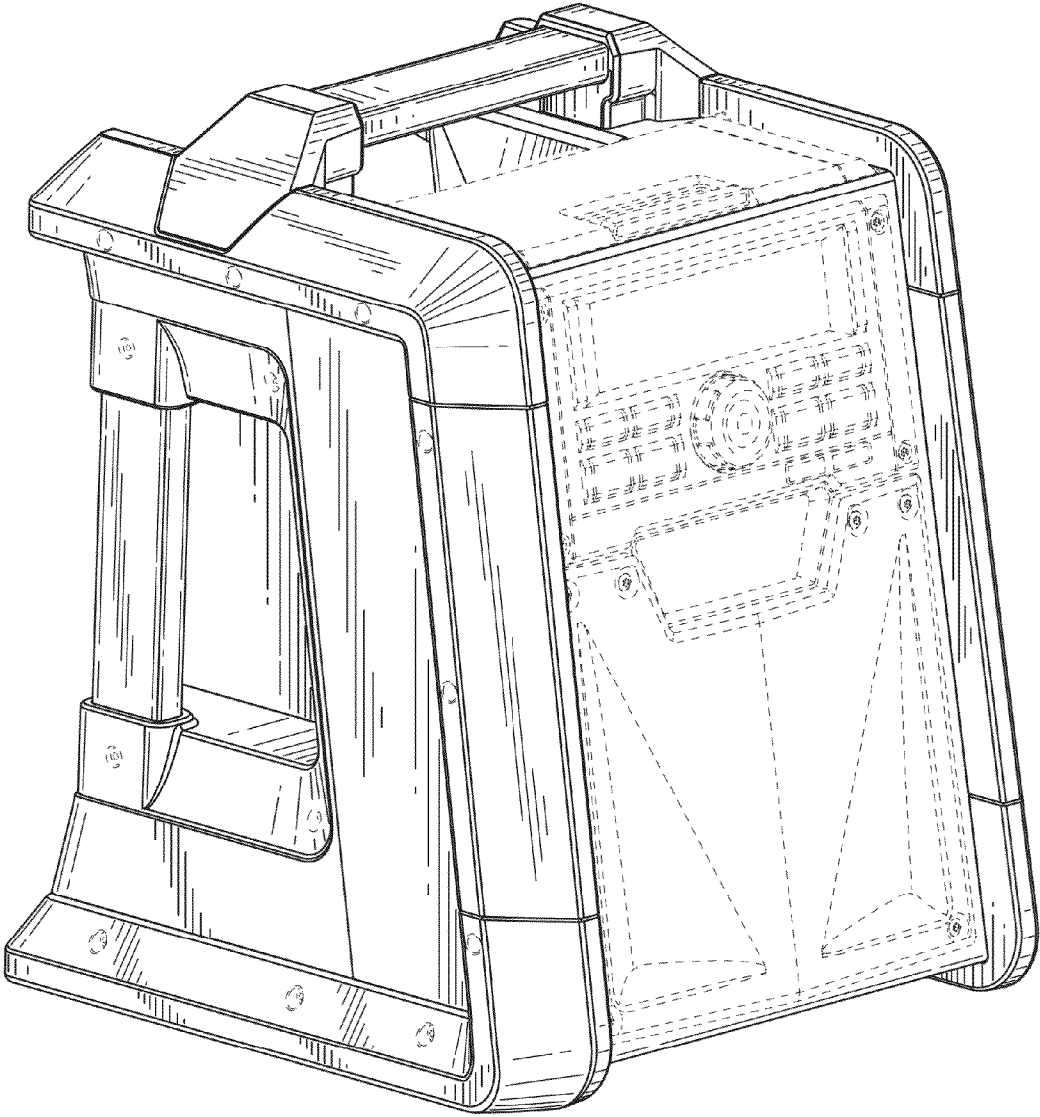


FIG. 1

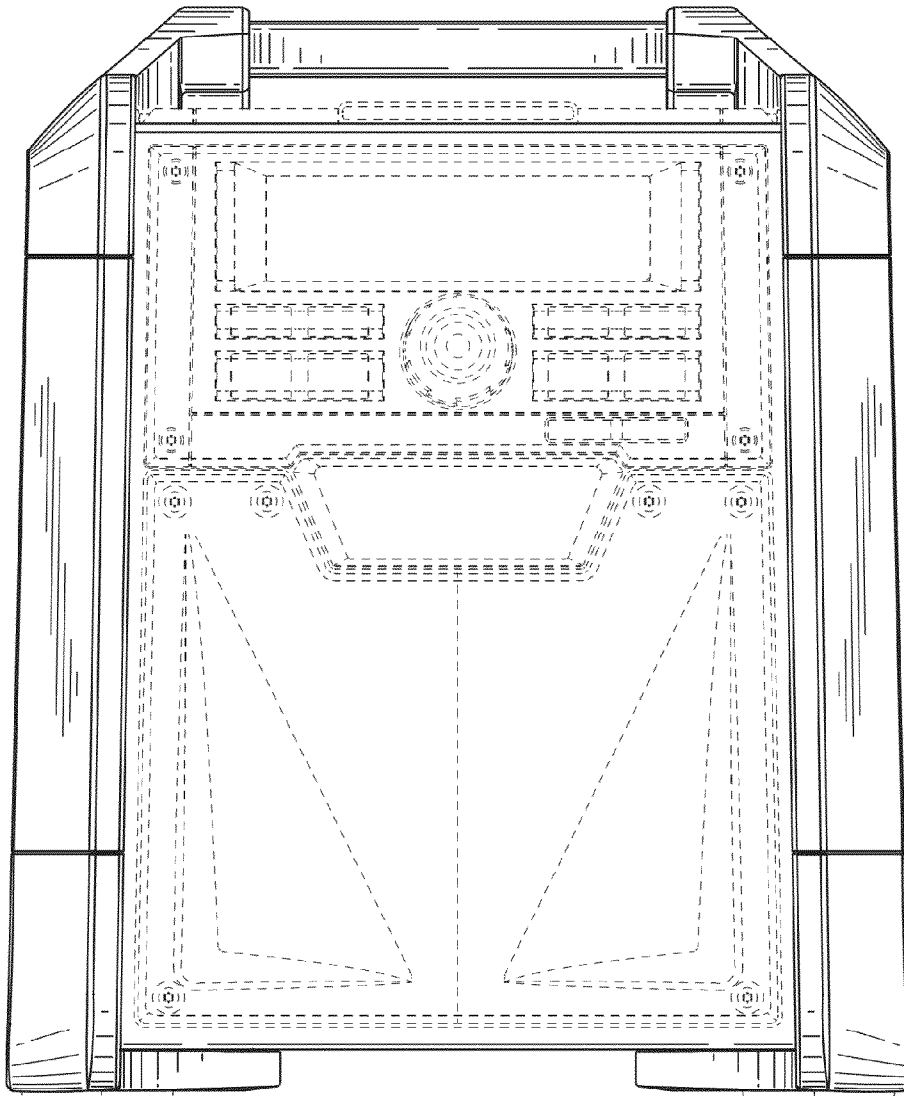


FIG. 2

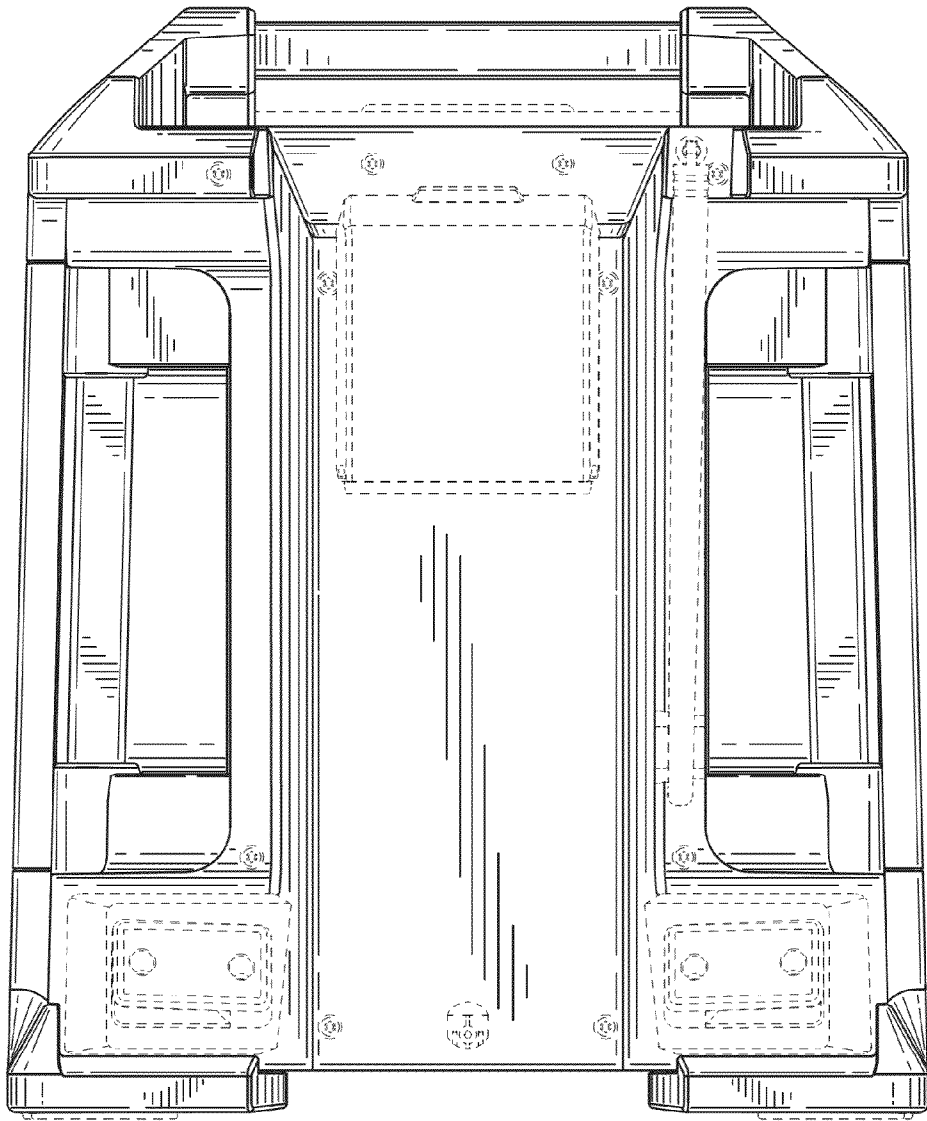


FIG. 3

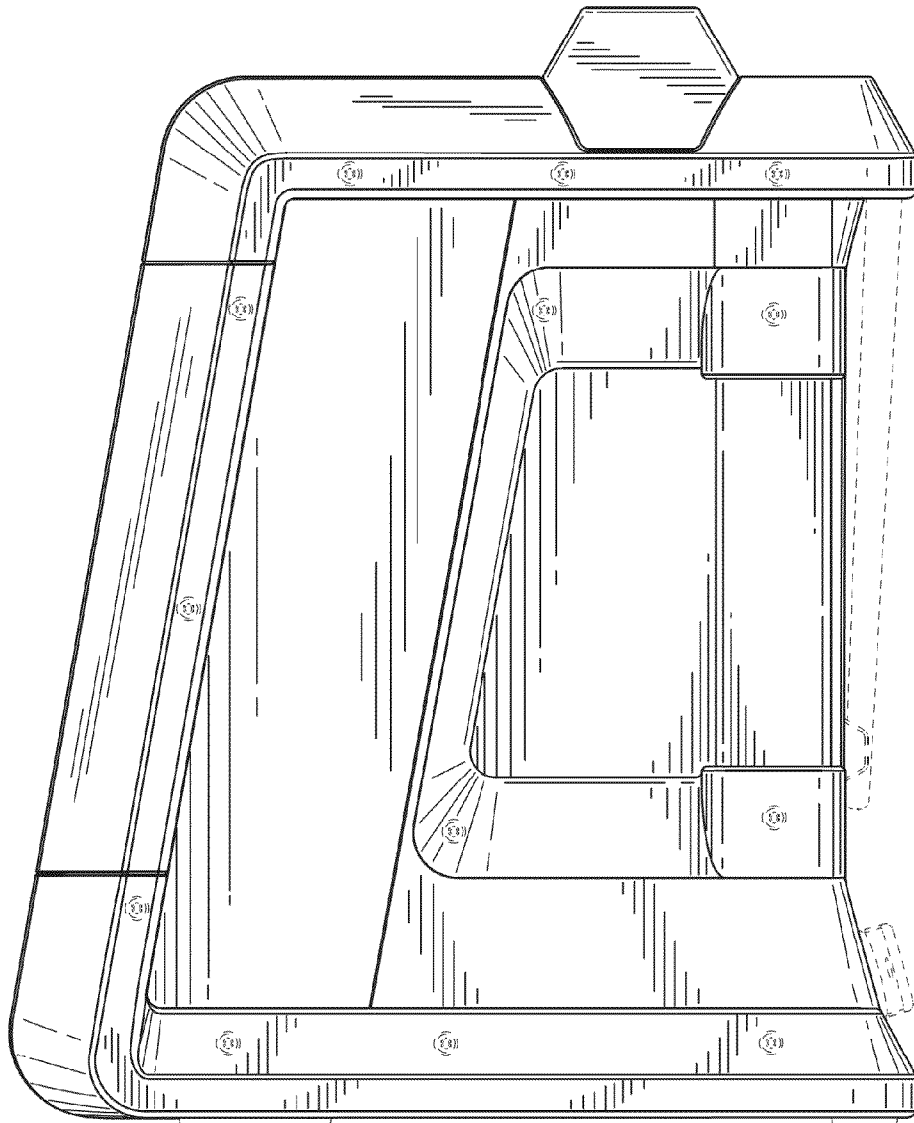


FIG. 4

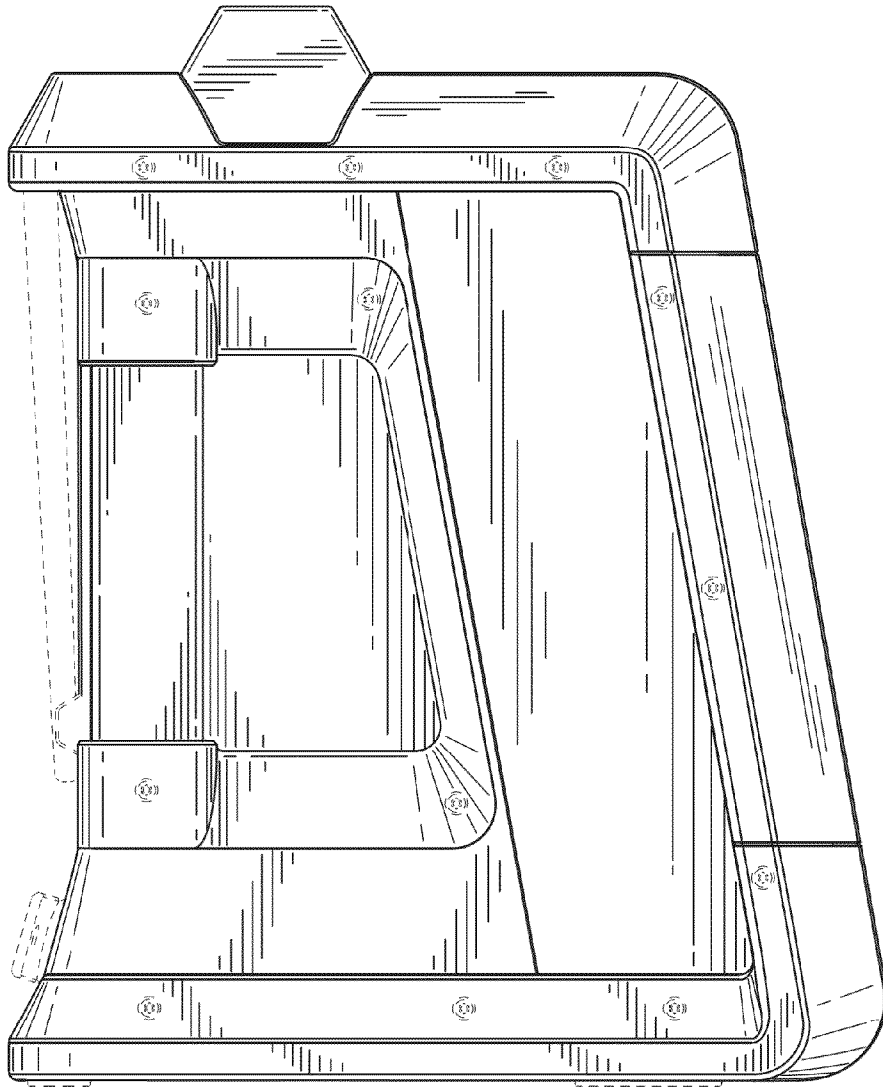


FIG. 5

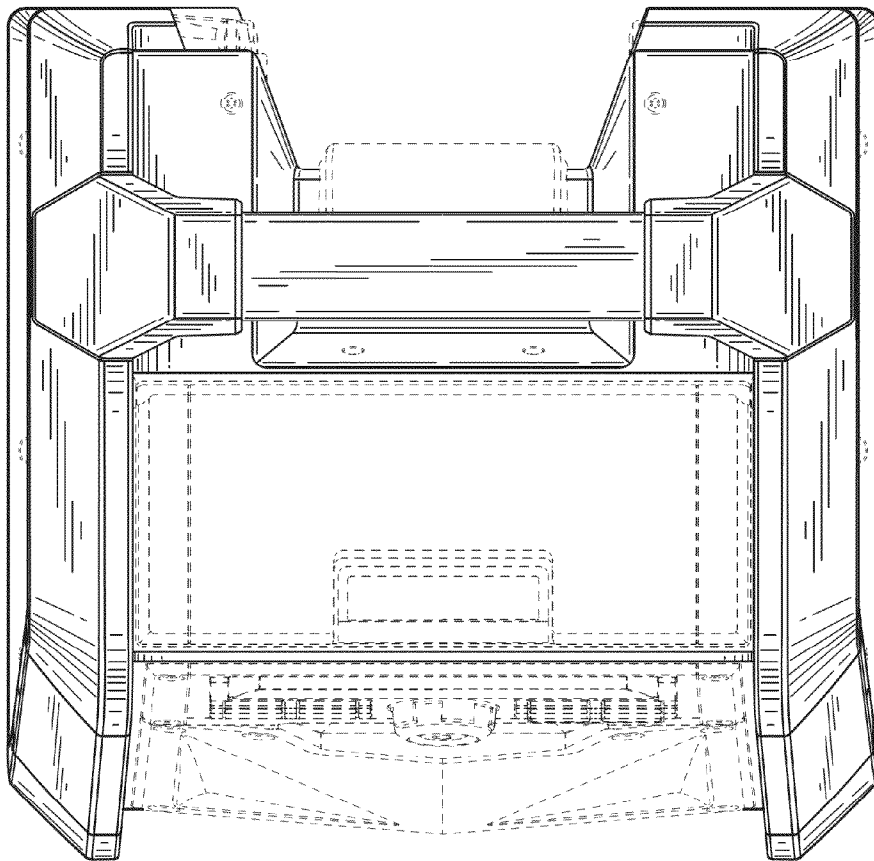


FIG. 6



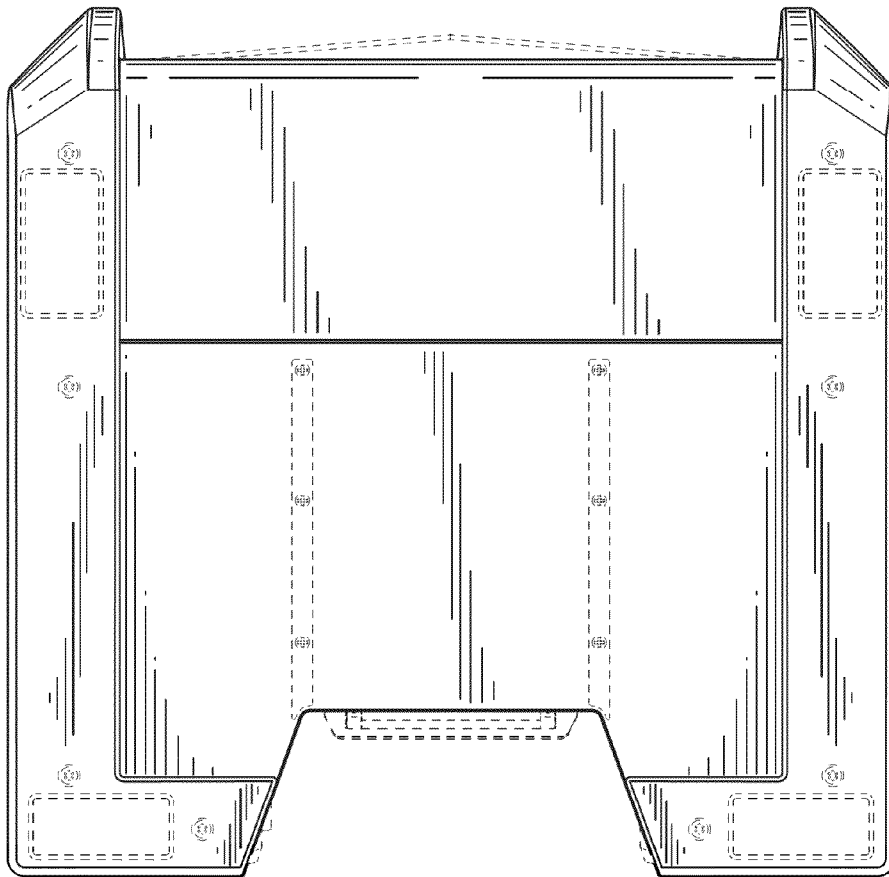


FIG. 7