



US00D401738S

United States Patent [19]
Scerbo

[11] **Patent Number: Des. 401,738**
[45] **Date of Patent: **Dec. 1, 1998**

[54] **LOGO PANEL CAP**
[76] Inventor: **James Scerbo**, 1041 Ridge St. A-21,
Phillipsburg, N.J. 08865
[**] Term: **14 Years**
[21] Appl. No.: **70,232**
[22] Filed: **May 2, 1997**
[51] **LOC (6) Cl. 02-03**
[52] **U.S. Cl. D2/882; D2/884**
[58] **Field of Search D2/865, 866, 884,**
D2/887, 882; 2/195.1, 171, 181

5,373,586 12/1994 Brosnan 2/195.1
5,437,062 8/1995 Douglas 2/195.1
5,454,120 10/1995 Rowlands 2/195.1

Primary Examiner—Paula A. Mortimer

[57] **CLAIM**

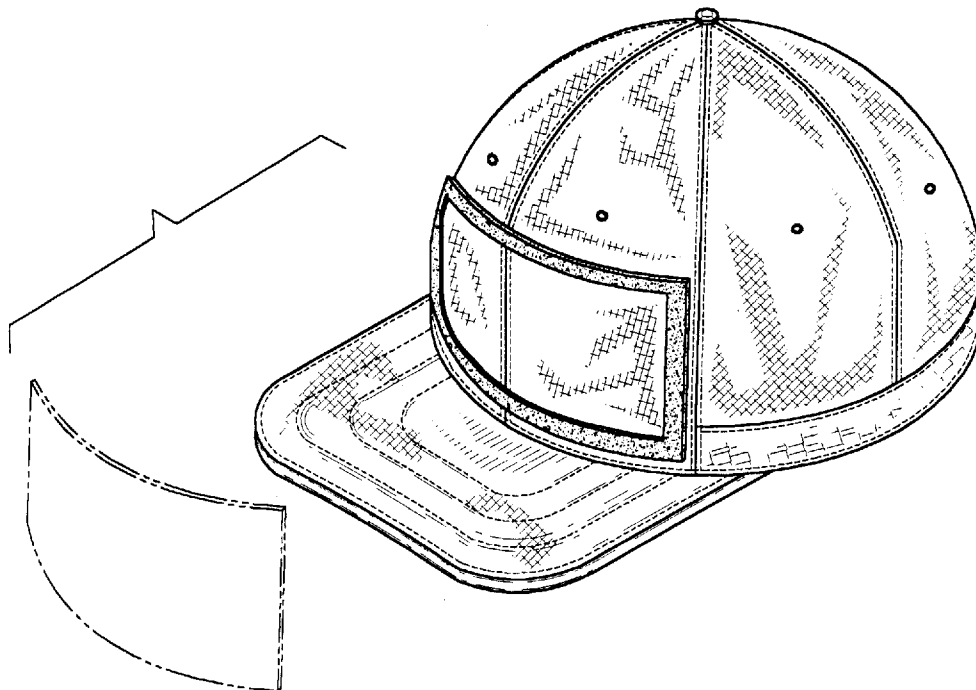
The ornamental design for a logo panel cap, as shown.

DESCRIPTION

FIG. 1 is a front elevational view of a logo panel cap showing my new design;
FIG. 2 is a rear elevational view thereof;
FIG. 3 is a right side view of the logo panel cap of FIG. 1;
FIG. 4 is a left side view of the logo panel cap of FIG. 1;
FIG. 5 is a top plan view of the logo panel cap of FIG. 1;
FIG. 6 is a bottom plan view of the logo panel cap of FIG. 1; and,
FIG. 7 is a top, front, right side perspective view of the logo panel cap of FIG. 1.
The broken line showing of panel in FIG. 7 is for illustrative purposes only and forms no part of the claimed design.

[56] **References Cited**
U.S. PATENT DOCUMENTS
2,677,827 5/1954 Lockhart D2/887 X
4,873,726 10/1989 Tapia 2/195.1
5,070,545 12/1991 Tapia 2/195.1 X
5,107,548 4/1992 Dotzenrod 2/195.1 X
5,253,368 10/1993 Blake 2/195.1 X
5,359,733 11/1994 Brannon et al. 2/195.1
5,359,734 11/1994 Rathburn 2/195.1

1 Claim, 4 Drawing Sheets



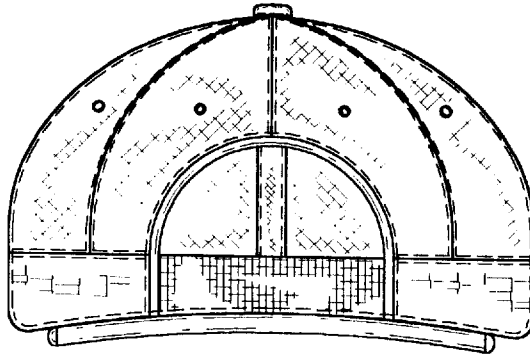


Fig. 2

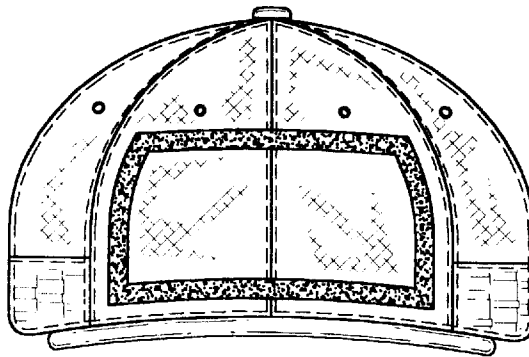


Fig. 1

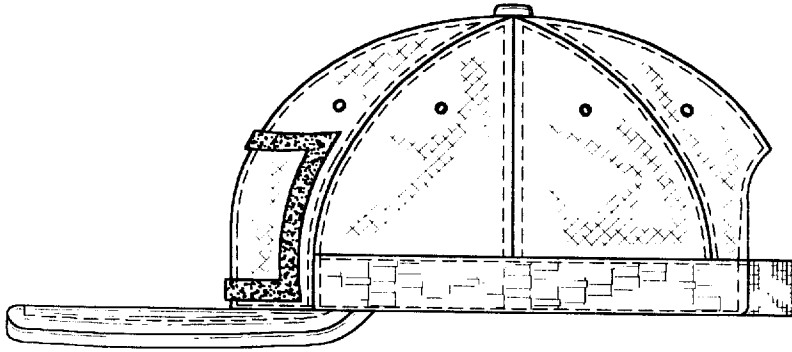


Fig. 4

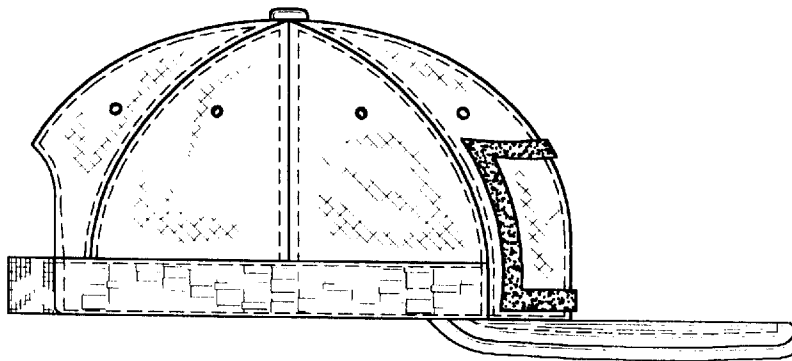


Fig. 3

Fig. 5

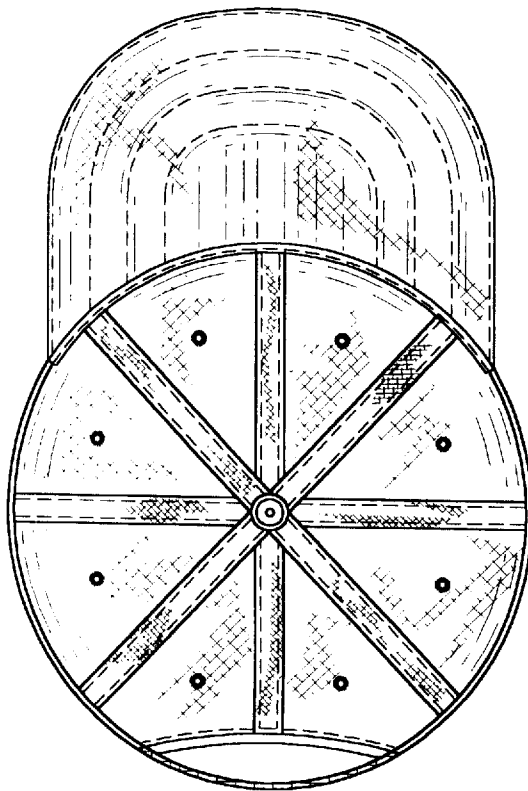
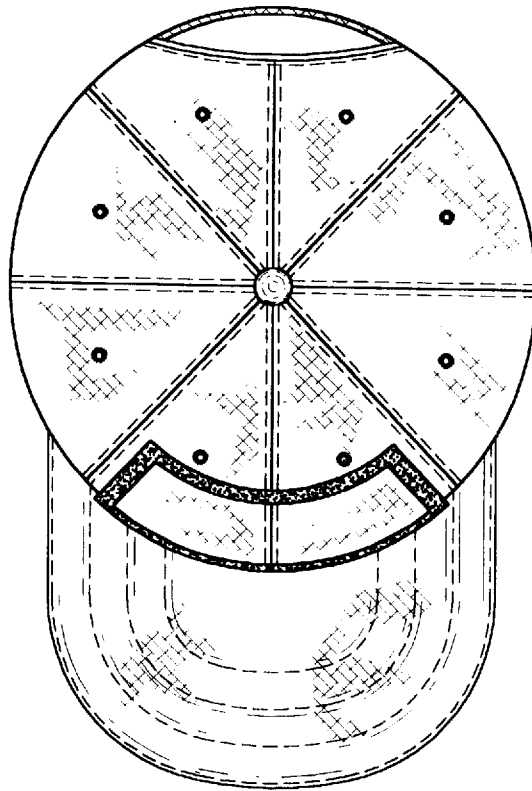


Fig. 6

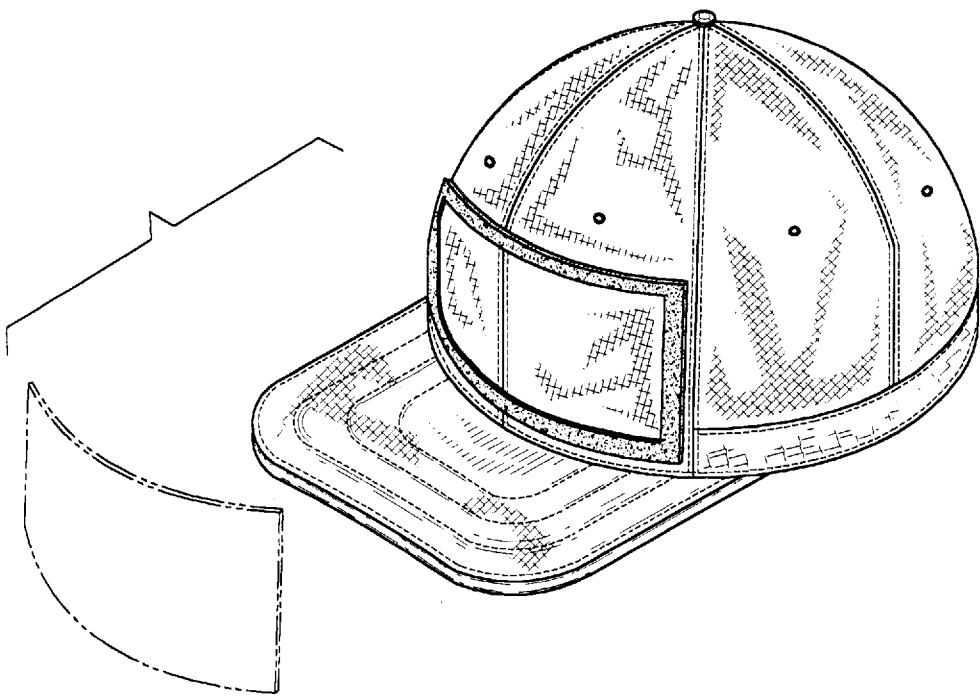


Fig. 7