

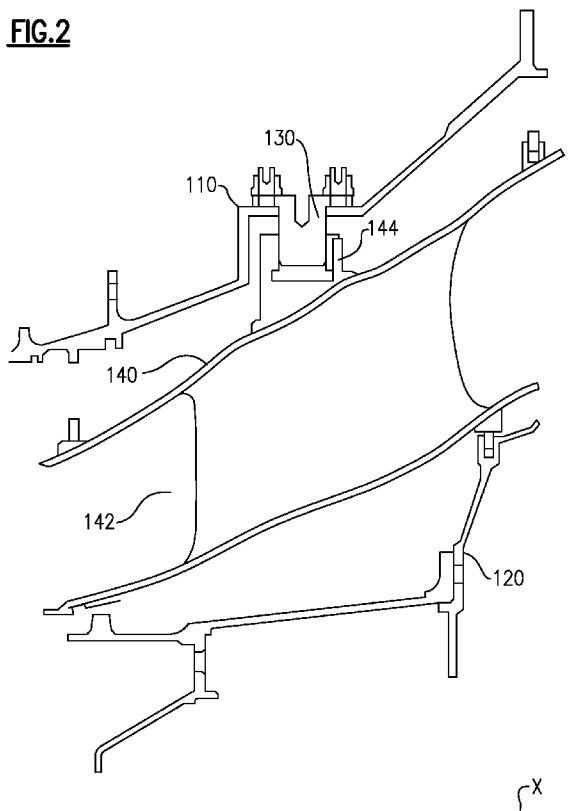


- (51) International Patent Classification:  
*F01D 25/24* (2006.01)    *F02C 7/20* (2006.01)
- (21) International Application Number:  
PCT/US2014/018839
- (22) International Filing Date:  
27 February 2014 (27.02.2014)
- (25) Filing Language: English
- (26) Publication Language: English
- (30) Priority Data:  
61/787,258    15 March 2013 (15.03.2013)    US
- (71) Applicant: UNITED TECHNOLOGIES CORPORATION [US/US]; One Financial Plaza, Hartford, Connecticut 06101 (US).
- (72) Inventor: SANCHEZ, Paul K.; 12215 Brisbane Lane, Wellington, Florida 33414 (US).
- (74) Agents: BURCH, Stephen A. et al.; Carlson, Gaskey & Olds, P.C./Pratt & Whitney, 400 W. Maple, Suite 350, Birmingham, MI 48009 (US).
- (81) Designated States (*unless otherwise indicated, for every kind of national protection available*): AE, AG, AL, AM, AO, AT, AU, AZ, BA, BB, BG, BH, BN, BR, BW, BY, BZ, CA, CH, CL, CN, CO, CR, CU, CZ, DE, DK, DM, DO, DZ, EC, EE, EG, ES, FI, GB, GD, GE, GH, GM, GT, HN, HR, HU, ID, IL, IN, IR, IS, JP, KE, KG, KN, KP, KR, KZ, LA, LC, LK, LR, LS, LT, LU, LY, MA, MD, ME, MG, MK, MN, MW, MX, MY, MZ, NA, NG, NI, NO, NZ, OM, PA, PE, PG, PH, PL, PT, QA, RO, RS, RU, RW, SA, SC, SD, SE, SG, SK, SL, SM, ST, SV, SY, TH, TJ, TM, TN, TR, TT, TZ, UA, UG, US, UZ, VC, VN, ZA, ZM, ZW.
- (84) Designated States (*unless otherwise indicated, for every kind of regional protection available*): ARIPO (BW, GH, GM, KE, LR, LS, MW, MZ, NA, RW, SD, SL, SZ, TZ, UG, ZM, ZW), Eurasian (AM, AZ, BY, KG, KZ, RU, TJ, TM), European (AL, AT, BE, BG, CH, CY, CZ, DE, DK,

[Continued on next page]

(54) Title: ROTATABLE FULL RING FAIRING FOR A TURBINE ENGINE

**FIG. 2**



(57) Abstract: A turbine engine includes a full ring fairing having at least a first and second keyed feature. The full ring fairing is rotatable so that the second keyed feature is in the first keyed feature position relative to the turbine engine.

WO 2014/189579 A3



EE, ES, FI, FR, GB, GR, HR, HU, IE, IS, IT, LT, LU,  
LV, MC, MK, MT, NL, NO, PL, PT, RO, RS, SE, SI, SK,  
SM, TR), OAPI (BF, BJ, CF, CG, CI, CM, GA, GN, GQ,  
GW, KM, ML, MR, NE, SN, TD, TG).

— before the expiration of the time limit for amending the  
claims and to be republished in the event of receipt of  
amendments (Rule 48.2(h))

**Published:**

— with international search report (Art. 21(3))

**(88) Date of publication of the international search report:**

5 March 2015

**A. CLASSIFICATION OF SUBJECT MATTER****F01D 25/24(2006.01)i, F02C 7/20(2006.01)i**

According to International Patent Classification (IPC) or to both national classification and IPC

**B. FIELDS SEARCHED**

Minimum documentation searched (classification system followed by classification symbols)

F01D 25/24; F02C 7/20; F02K 3/08; F01D 25/00; F02K 3/02; F02C 7/266; F02C 1/00

Documentation searched other than minimum documentation to the extent that such documents are included in the fields searched

Korean utility models and applications for utility models

Japanese utility models and applications for utility models

Electronic data base consulted during the international search (name of data base and, where practicable, search terms used)

eKOMPASS(KIPO internal) &amp; Keywords:full ring fairing, turbine engine, keyed feature, rotatable, and elevated wear

**C. DOCUMENTS CONSIDERED TO BE RELEVANT**

Category*	Citation of document, with indication, where appropriate, of the relevant passages	Relevant to claim No.
A	US 2005-0132715 A1 (ALLEN, JR. et al.) 23 June 2005 See paragraphs [0012], [0016]-[0017] and figures 1-3.	1-17
A	US 5020318 A (VDOVIK, JOHN W.) 04 June 1991 See column 3, line 11 - column 4, line 19 and figures 1-3.	1-17
A	US 6468033 B1 (WEIDLICH, ROBERT FREDERICK) 22 October 2002 See column 2, line 47 - column 3, line 23 and figures 2-3.	1-17
A	US 2011-0113748 A1 (LAINS et al.) 19 May 2011 See paragraphs [0033]-[0038] and figures 1-3.	1-17
A	US 2010-0215477 A1 (WILSON, BARRY ALLAN) 26 August 2010 See paragraphs [0024]-[0029] and figures 2-4.	1-17

 Further documents are listed in the continuation of Box C. See patent family annex.

\* Special categories of cited documents:

"A" document defining the general state of the art which is not considered to be of particular relevance

"E" earlier application or patent but published on or after the international filing date

"L" document which may throw doubts on priority claim(s) or which is cited to establish the publication date of another citation or other special reason (as specified)

"O" document referring to an oral disclosure, use, exhibition or other means

"P" document published prior to the international filing date but later than the priority date claimed

"T" later document published after the international filing date or priority date and not in conflict with the application but cited to understand the principle or theory underlying the invention

"X" document of particular relevance; the claimed invention cannot be considered novel or cannot be considered to involve an inventive step when the document is taken alone

"Y" document of particular relevance; the claimed invention cannot be considered to involve an inventive step when the document is combined with one or more other such documents, such combination being obvious to a person skilled in the art

"&amp;" document member of the same patent family

Date of the actual completion of the international search

24 December 2014 (24.12.2014)

Date of mailing of the international search report

**24 December 2014 (24.12.2014)**

Name and mailing address of the ISA/KR

International Application Division  
Korean Intellectual Property Office  
189 Cheongsu-ro, Seo-gu, Daejeon Metropolitan City, 302-701,  
Republic of Korea

Facsimile No. +82-42-472-7140

Authorized officer

HWANG, Chan Yoon

Telephone No. +82-42-481-3347



**INTERNATIONAL SEARCH REPORT**

Information on patent family members

International application No.

**PCT/US2014/018839**

Patent document cited in search report	Publication date	Patent family member(s)	Publication date
US 2005-0132715 A1	23/06/2005	CA 2484432 A1 CA 2484432 C EP 1548231 A2 EP 1548231 A3 JP 2005-180418 A JP 4513000 B2 US 6983608 B2	22/06/2005 10/08/2010 29/06/2005 27/06/2012 07/07/2005 28/07/2010 10/01/2006
US 5020318 A	04/06/1991	EP 0315486 A2 EP 0315486 A3 EP 0315486 B1 JP 01-187323 A JP 2675361 B2	10/05/1989 17/01/1990 09/06/1993 26/07/1989 12/11/1997
US 6468033 B1	22/10/2002	None	
US 2011-0113748 A1	19/05/2011	FR 2952701 A1 FR 2952701 B1	20/05/2011 02/11/2012
US 2010-0215477 A1	26/08/2010	EP 2224102 A2 EP 2224102 A3 US 8246298 B2	01/09/2010 11/09/2013 21/08/2012